

Installation Instructions

Bottle Trap Drain

Record your model number:

Noter le numéro de modèle:

Anote su número de modelo: _____

Français, page 7

Español, página 13

KALLISTA®

Thank You for Choosing KALLISTA

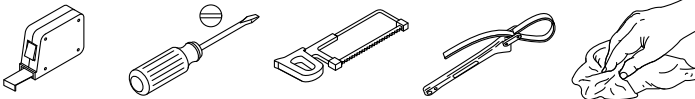
Need help? Contact our Customer Care Center.

- 1-888-4-KALLISTA (1-888-452-5547)
- **Service parts:** visit the product page at kallista.com
- **Care and cleaning:** kallista.com/resources/product-care
- **Patents:** kohlercompany.com/patents

Warranty

This product is covered under the **KALLISTA® Five-Year Limited Warranty**, found at kallista.com/resources/warranty. For a hardcopy of warranty terms, contact the Customer Service Department.

Tools and Materials

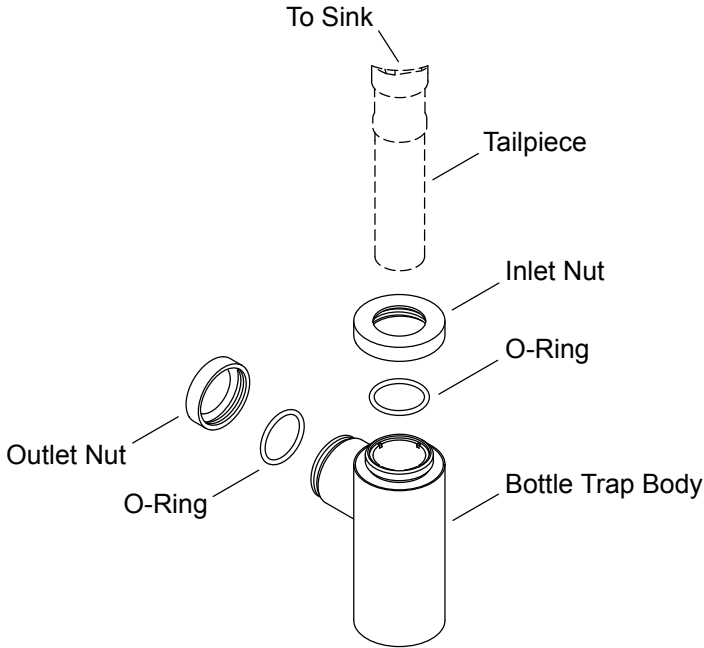


Before You Begin

Follow all local plumbing and building codes.

Turn OFF the water supply.

1. Assemble the Drain

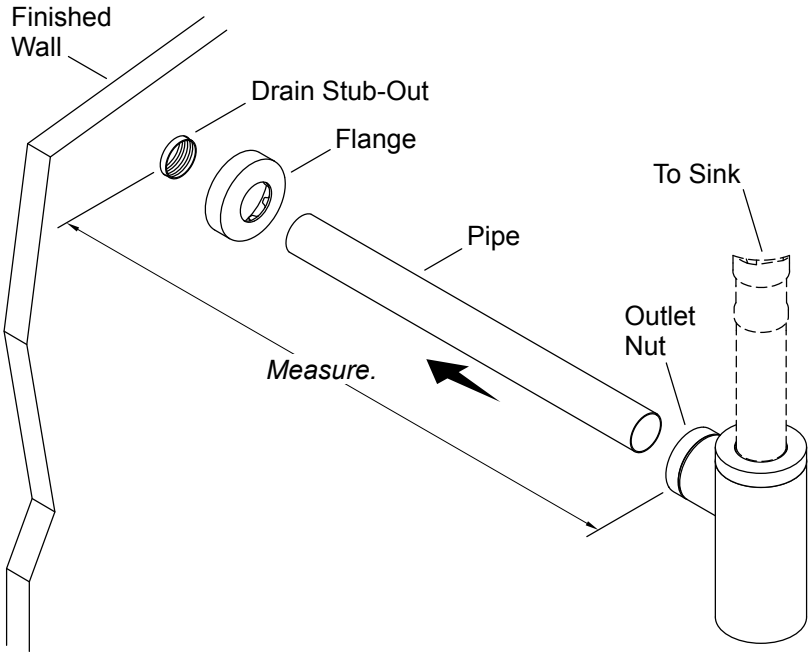


- Install the pop-up drain to the bathroom sink according to the manufacturer's instructions.
- Remove the inlet and outlet nuts from the bottle trap body.
- Verify that the O-ring remains inside each nut.

NOTE: For proper compression fit, the tailpiece must be inserted at least 1" (25 mm) inside the inlet nut.

- With the threads facing down, slide the inlet nut with the O-ring onto the tailpiece.
- Position the bottle trap body at least 1" (25 mm) onto the tailpiece.
- Handtighten the inlet nut until the nut is flush against the bottle trap body. If necessary, use a clean strap wrench to assist.

2. Connect the Drain Body



NOTE: The supplied pipe is 14-13/16" (376 mm) in length.

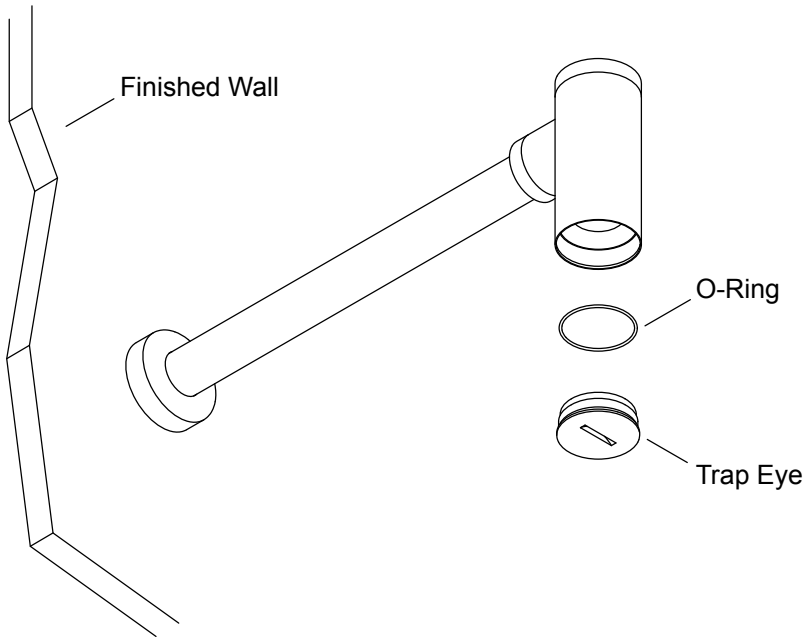
- Measure the length from the drain stub-out to the inner-most edge of the outlet nut.
- If the measured length is less than 14-13/16" (376 mm), cut the pipe using a hacksaw. Use care not to damage the finish.
- With the threads of the outlet nut facing toward the bottle trap body, slide the outlet nut with O-ring onto the pipe.

NOTICE: For proper compression fit, the pipe must be inserted at least 1" (25 mm) inside the bottle trap body.

- Insert the pipe at least 1" (25 mm) inside the bottle trap body.
- Handtighten the outlet nut until flush against the bottle trap body. If necessary, use a clean strap wrench to assist.
- Slide the flange onto the free end of the pipe.

- Insert the pipe into the drain stub-out with seal (not provided), then push the flange against the finished wall.
- Turn ON the water supply.
- Run water through the drain and check for leaks.

3. Remove Debris



- Using a flat-blade screwdriver, turn the trap eye counterclockwise until fully removed from the bottle trap body.
- Set the trap eye with O-ring aside.
- Clean out any debris that has collected in the bottle trap body.
- Reinstall the trap eye with O-ring to the bottle trap body.