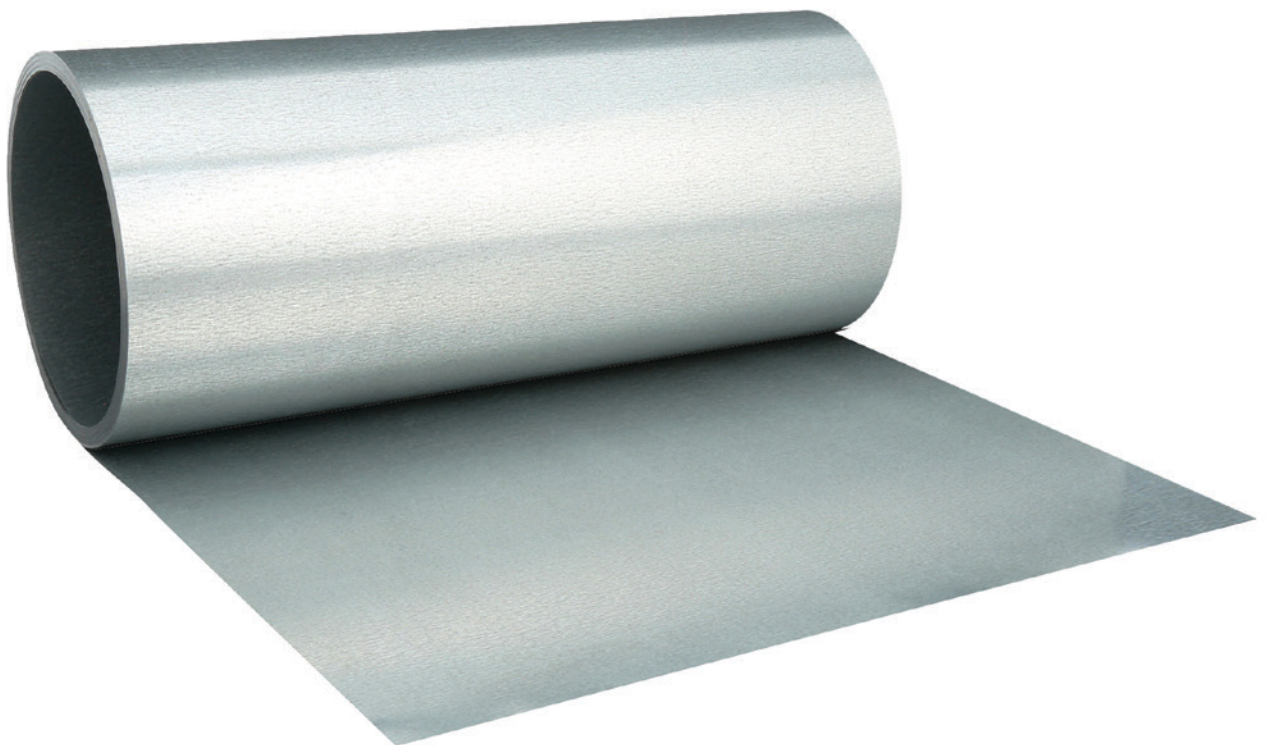
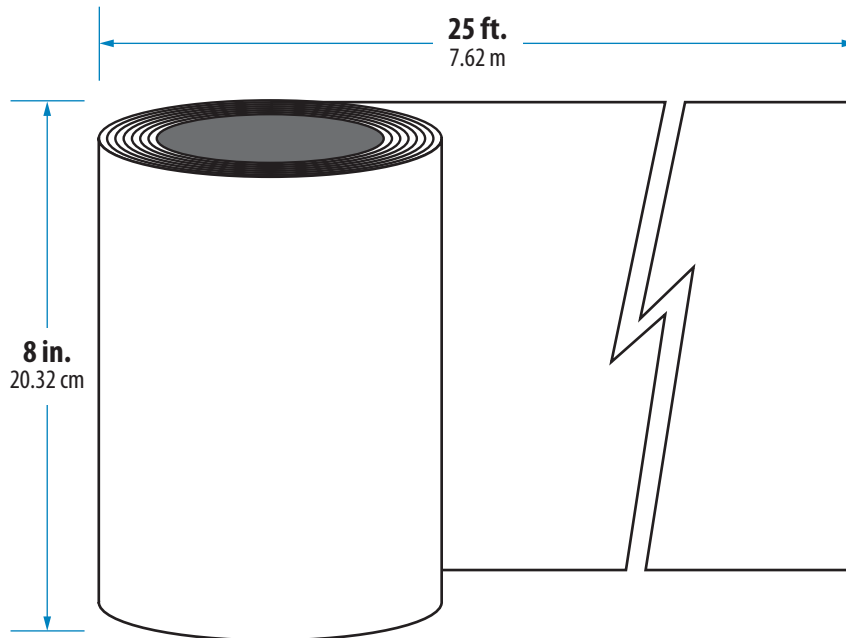


31 Gauge Galvanized Steel • 8 in. x 25 ft.



Mill Finish