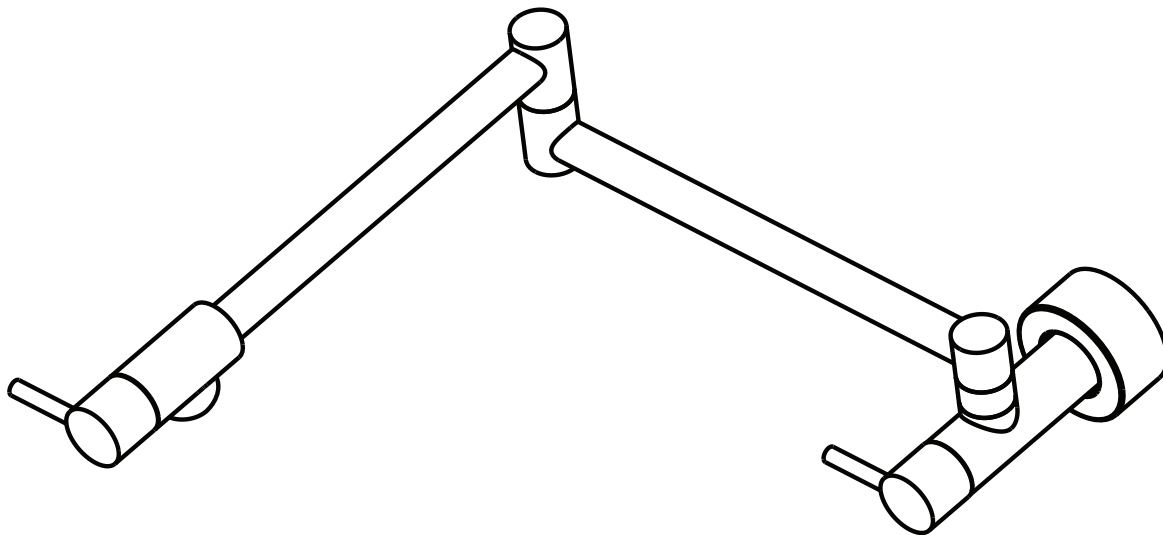


Kitchen Wall-Mounted Pot Filler

INSTALLATION INSTRUCTIONS





PRIOR TO INSTALLATION:

- Inspect product to ensure no damages have occurred while in shipping.
- Observe all plumbing and building codes in accordance with your state and local requirements.
- All dimensions are nominal! Be sure to measure your Wall-Mounted Pot Filler prior to installation.
- The step-by-step guidelines in the installation instructions are a general reference. Should there be any discrepancies, Swiss Madison® cannot be held liable. It is recommended to install all Swiss Madison® products by hiring a licensed professional.
- Read installation and maintenance instructions thoroughly before installing. Be sure to use proper tools and always wear proper personal safety accessories for your protection.

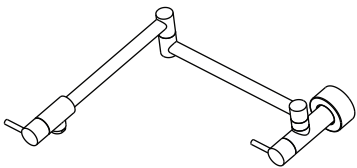
QUESTIONS OR CONCERNS?

Please contact us:

1-434-623-4766

info@swissmadison.com

INCLUDED PARTS:



Pot Filler



Aerator



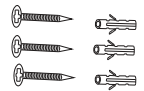
Plumber Tape



Escutcheon



Flange



Screws

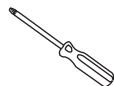
SUGGESTED TOOLS & MATERIALS:



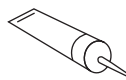
Safety Glasses



Wrench



Screwdriver



Sealant

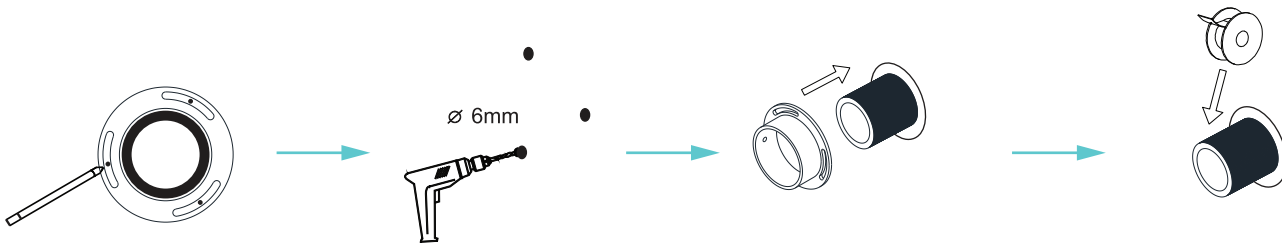
INSTALLATION:

1 Flush water from the pipe

- Turn off water supply.
- Flush out remaining water.

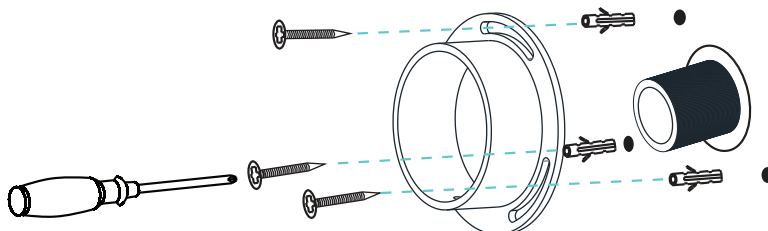
2 Prepare flange mounting

- Mark mounting holes in the flange.
- Drill a hole in the marked positions and install the plastic anchors.
- Apply plumbers tape to the exposed pipe in the wall.



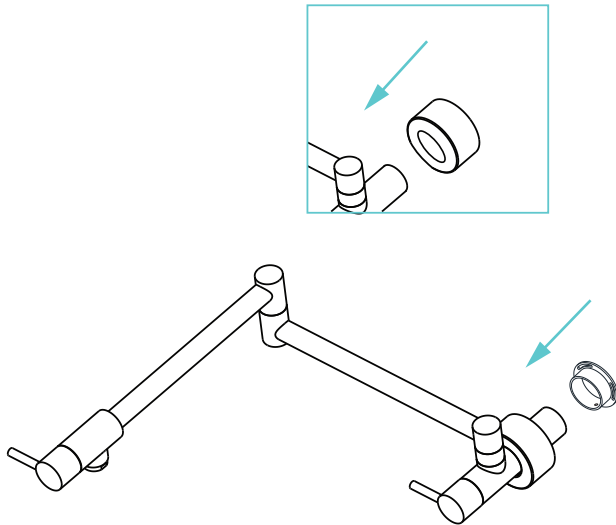
3 Fix the flange on the wall

- The wall pipe should extend 1/2" past the finished wall surface.
- Connect flange over the 1/2" IPS supply line by tightening the screws.
- Ensure the flange is fixed on the wall.



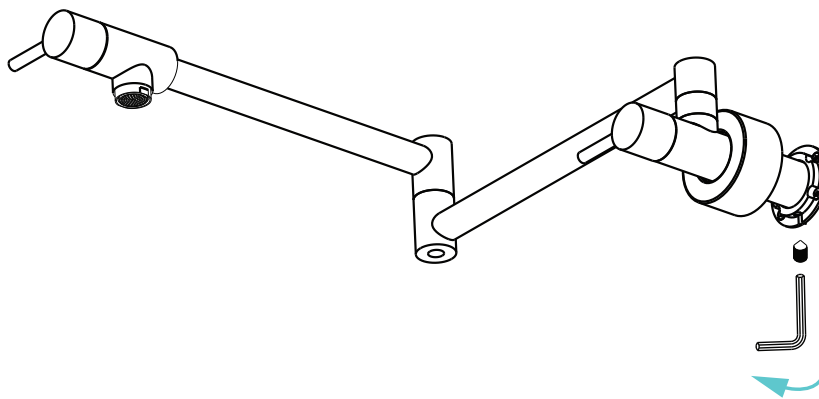
4 Install the Escutcheon

- Assemble the escutcheon onto the faucet.



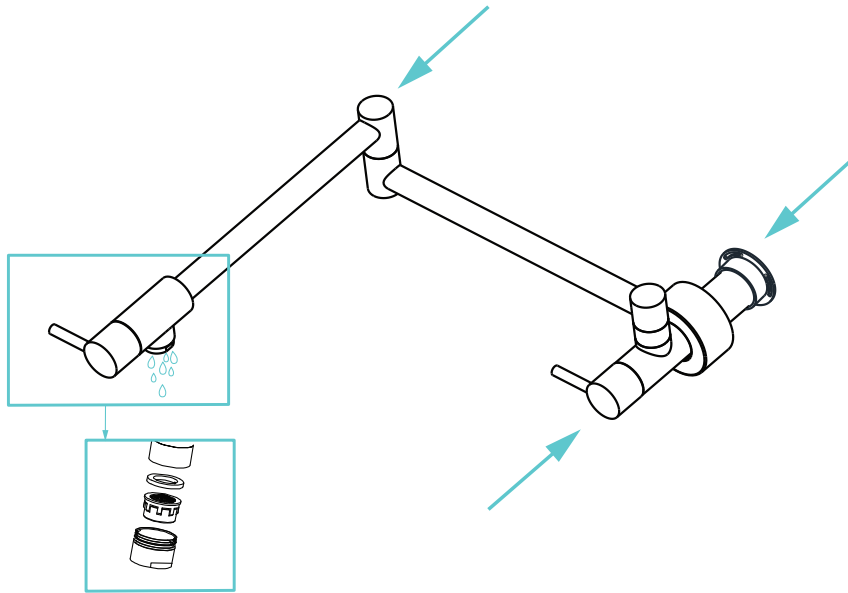
5 Install the Faucet into the Wall

- Rotate and insert the faucet body into the wall.
- Adjust the faucet body to the right direction and ensure it is tightened.



6 Flush the Faucet Spout and Check for Leaks

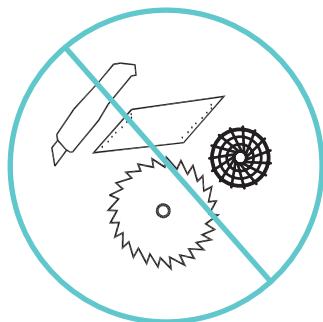
- Remove the aerator, turn faucet on and let the water run for 60 seconds to flush any debris.
- Check for leaks at the connections.
- Retighten if necessary.



CARE AND MAINTENANCE:

To Keep the Product Clean and Shining, Follow the Steps Below:

1. Rinse with clean water and dry with a soft cloth.
2. Do not clean with soaps, acid polish, abrasives, or harsh cleaners.
3. Do not use cloth with a coarse surface.
4. Unscrew the aerator and clean when necessary.



ONE YEAR LIMITED WARRANTY

Swiss Madison® products are made with quality materials and excellent craftsmanship to provide our customers with beautiful, durable, long-lasting products. Should there be any defects in materials or craftsmanship under regular use that are discovered within the first year of installation, Swiss Madison® will provide replacement parts at no charge, or at its discretion, replace any product or part of the product that is deemed defective, under normal installation, use, service or maintenance. This warranty applies only to the original purchaser. Proof of purchase will be required in the instance of a claim.

Swiss Madison® recommends all installations of Swiss Madison® products to be conducted by a licensed, professional plumber or contractor. Swiss Madison® will not be held responsible for any damage or product failure due to improper installation, misuse, or failure to utilize a licensed professional for installation. Swiss Madison® is not responsible for any installation or removal costs.

THIS ONE YEAR LIMITED WARRANTY WILL BE VOIDED IF:

- The installation recommendations were not followed by the installer
- The product has been moved from its initial place of installation
- The product has in any way been modified from its packaged state
- The product has been subjected to improper maintenance, abuse, misuse, excessive use of chemicals, accidents, or other damages, etc.

Swiss Madison® makes no implication that its products comply with any local building or plumbing codes. It is the consumer's responsibility and obligation to determine local code compliance prior to and during installation. This warranty extends only to the original purchaser and first consumer.

Swiss Madison® is not responsible for any special, incidental or consequential damages associated with the installation, replacement, return or use of the original purchaser's product. This includes, but is not limited to: freight costs, labor, travel time, lost profit, home damages and other contingent liabilities and costs (including, without limitation, costs associated with 'professionals' or 'experts', investigations, audits, analyses, attorneys and any other professional/hired services).

The Swiss Madison® warranty is a comprehensive and explicit limit of liability. All items not disclosed within the warranty are not addressable within the responsibility of Swiss Madison®. Certain states have variances regarding implied warranties; in those situations, we remain fully compliant.

QUESTIONS OR CONCERNS?

Please contact us directly at 1-434-MADISON (623-4766)



WARNING:

Contents of your order may contain sharp and possibly other harmful pieces and may cause hazard to children and adults. Swiss Madison® is not responsible in any way for personal damages.