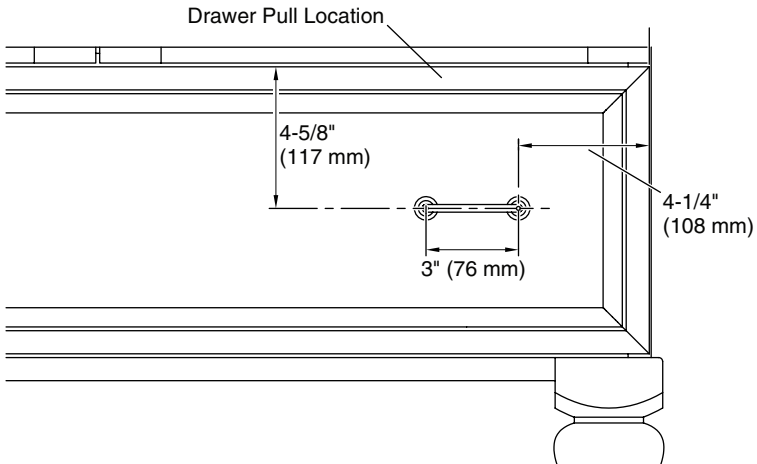


Hardware Placement for K-99686 and K-99689



Hardware Placement for K-99689

- Measure and mark the dimensions for the hardware on the drawers and the doors.
- Drill a 3/16" (21 mm) hole at each marking.
- Insert a screw through the top hole from the inside. Count the number of visible notches on the screw that appear from the other side.
- Remove the screw and using a pair of side cutters, cut the screw at the appropriate notch. Repeat for each screw.
- Insert a screw through a hole, and align with a handle. Thread the handle onto the screw. Repeat for each handle.