

Installation Guide

Wall-Hung Intelligent Toilet

Français, page "Français-1"
Español, página "Español-1"

THE BOLD LOOK
OF **KOHLER**®

1247364-2-B

Before You Begin

NOTE: This product is designed for installation with the electrical and water supplies located through the wall.



WARNING: When using electrical products, basic precautions should always be followed, including the following:



WARNING: Risk of electric shock. Grounding this product improperly can result in a risk of electric shock.



DANGER: Risk of electrocution. Disconnect the electricity to the working area at the main breaker panel before performing the installation steps for hardwiring.



WARNING: Risk of electric shock. Connect only to a circuit protected by a Ground-Fault Circuit-Interrupter (GFCI)*



WARNING: Risk of electric shock. Grounding is required. A qualified electrician should make all electrical connections.



WARNING: Risk of electric shock. Disconnect power before servicing.



WARNING: Risk of injury or property damage. Please read all instructions thoroughly before beginning installation, including the following requirements.

- If repair or replacement of the power cord becomes necessary, do not connect the grounding wire to either of the other terminals.
- Check with a qualified electrician or service personnel if the grounding instructions are not completely understood, or if in doubt as to whether the product is properly grounded.

NOTE: When lifting the bowl into place, the process is more efficient when performed by two people.

- Observe all local plumbing and building codes.
- *Outside North America, this device may be known as a Residual Current Device (RCD).

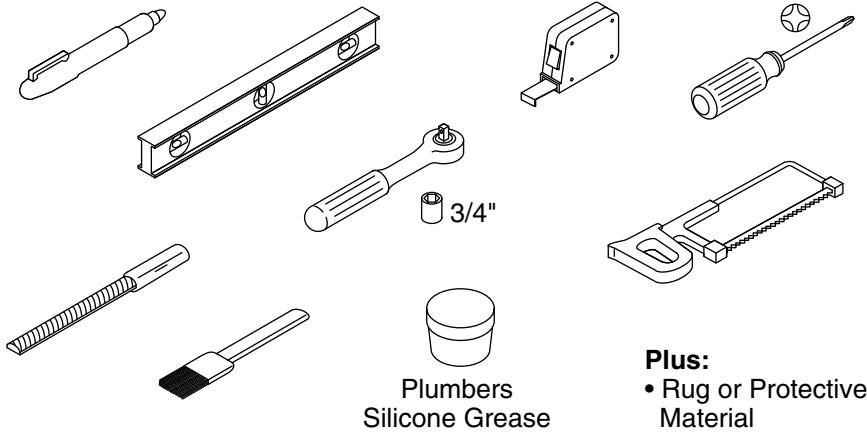
Grounding Instructions

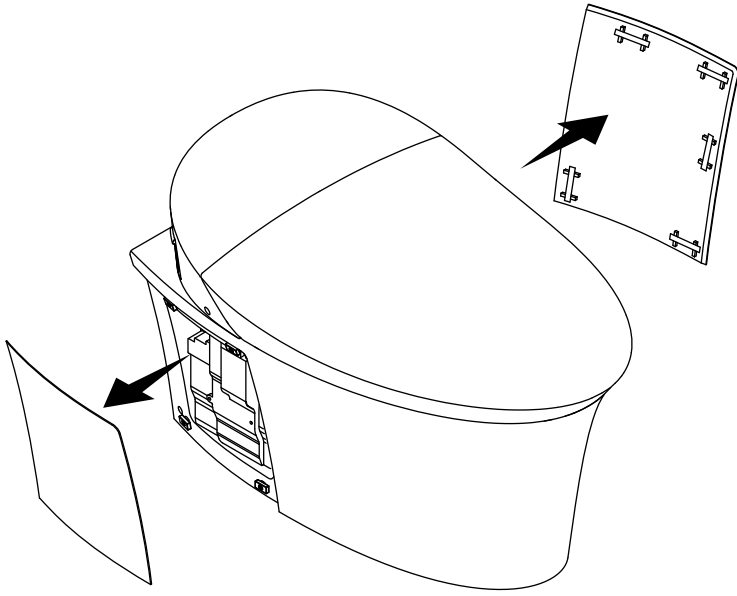
- This product should be connected to a grounded, metallic, permanent wiring system, or an equipment-grounding conductor should be run with the circuit conductors and connected to the equipment grounding terminal or lead on the product.

Before You Begin (cont.)

- This product is intended for hardwire installation. Make sure electrical power can be provided to the installation area.
- The installation must have a Class A Ground-Fault Circuit-Interrupter (GFCI). The GFCI protects against line-to-ground shock hazard. Use a 100 VAC - 240 VAC, 50 Hz - 60 Hz supply.

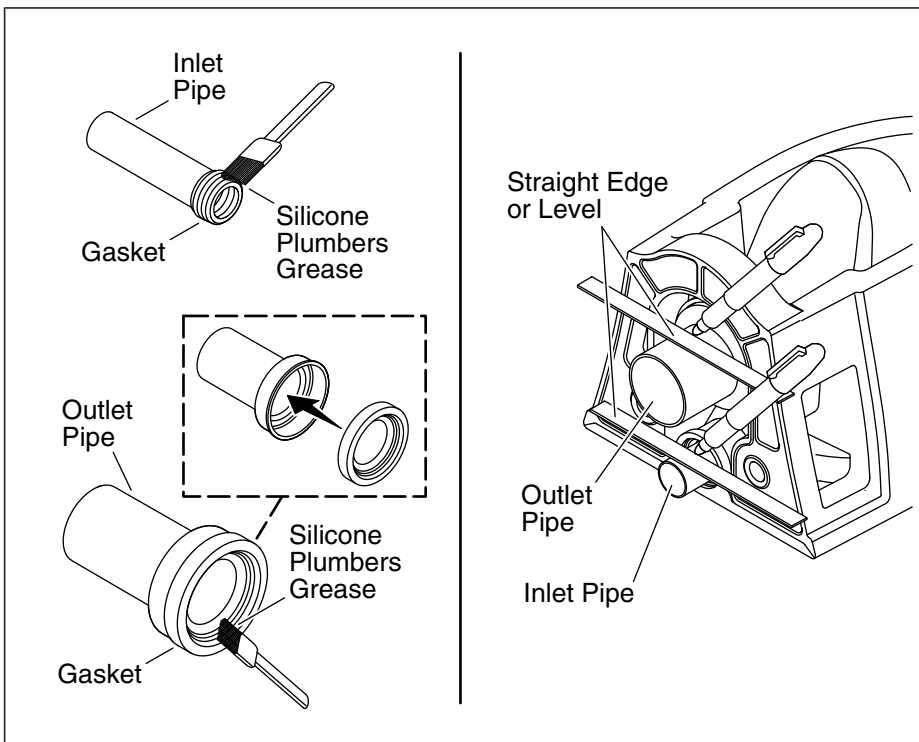
Tools and Materials





1. Remove the Side Panels

- Remove and set aside the side panels from the bowl.



2. Mark the Pipes - Bowl Side

IMPORTANT! If silicone plumbers grease is not applied to the gaskets, they will bind during fitting, which will result in the pipes being cut to incorrect lengths.

NOTE: This step is easier with the bowl upside down.

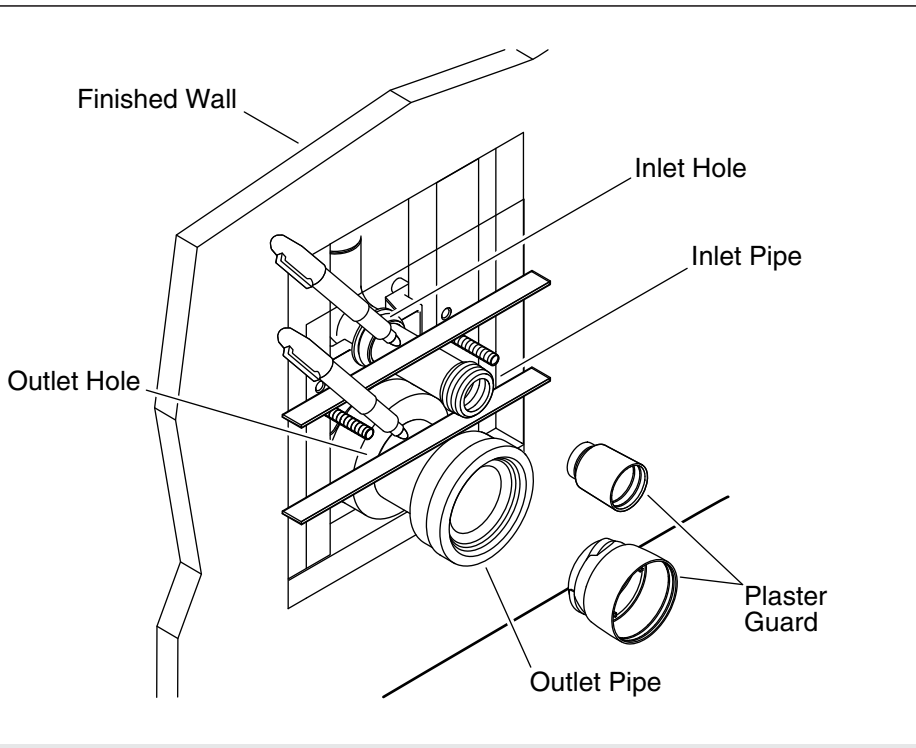
- Install the gasket on the ribbed end of the inlet pipe.

NOTE: The outlet pipe gasket comes positioned on the thin portion of the outlet pipe. Remove the gasket and reinstall it as shown.

- Install the outlet pipe gasket on the flared end of the outlet pipe.
- Apply silicone plumbers grease to the outlet pipe gasket.
- Firmly fit the outlet pipe and gasket over the bowl outlet, pushing until it contacts the bowl.
- Position a level or other straight edge across the back of the bowl.
- Mark the outlet pipe at the back edge of the bowl using the level as a guide.
- Apply silicone plumbers grease to the outside of the inlet pipe gasket.

Mark the Pipes - Bowl Side (cont.)

- Firmly insert the gasket end of the inlet pipe into the water inlet, pushing until it contacts the bowl.
- Position a level or other straight edge across the back of the bowl.
- Mark the inlet pipe at the back edge of the bowl using the level as a guide.
- Remove the inlet and outlet pipes.



3. Mark the Pipes - Wall Side

- Remove and discard the plaster guards from the inlet and outlet holes.
- Apply plumbers grease to the gasket in the opening of the inlet and outlet holes.
- Firmly insert the inlet pipe completely into the inlet hole.

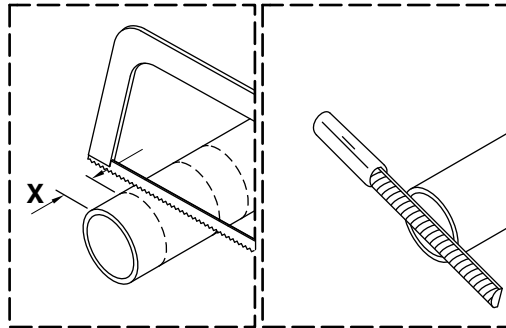
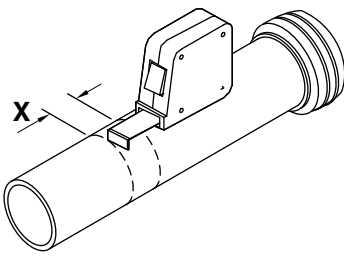
NOTE: If the finished wall aligns with any portion of the gasket section of the inlet pipe, no mark or cut is needed.

- Use a level or other straight edge to mark the inlet pipe even with the front edge of the finished wall.
- Firmly insert the outlet pipe completely into the outlet hole.

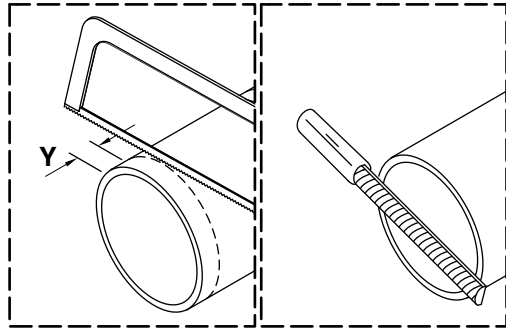
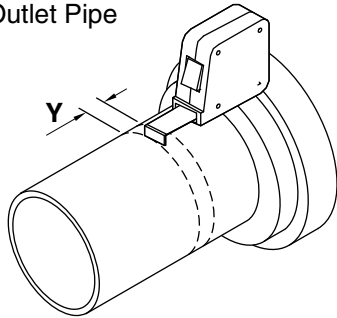
NOTE: If the finished wall aligns with the wide part of the outlet pipe, no mark or cut is needed.

- Use a level or other straight edge to mark the outlet pipe even with the front edge of the finished wall.
- Remove the inlet and outlet pipes.

Inlet Pipe

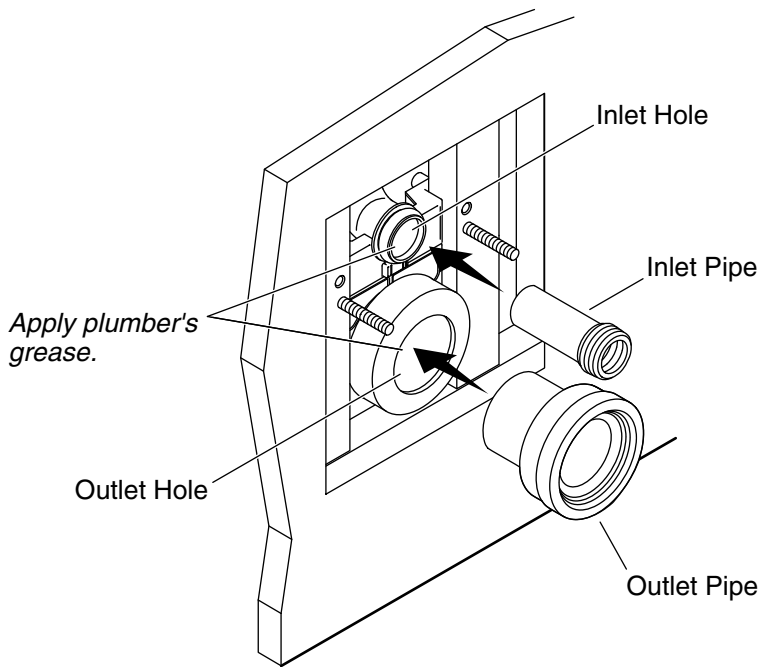


Outlet Pipe



4. Cut the Pipes

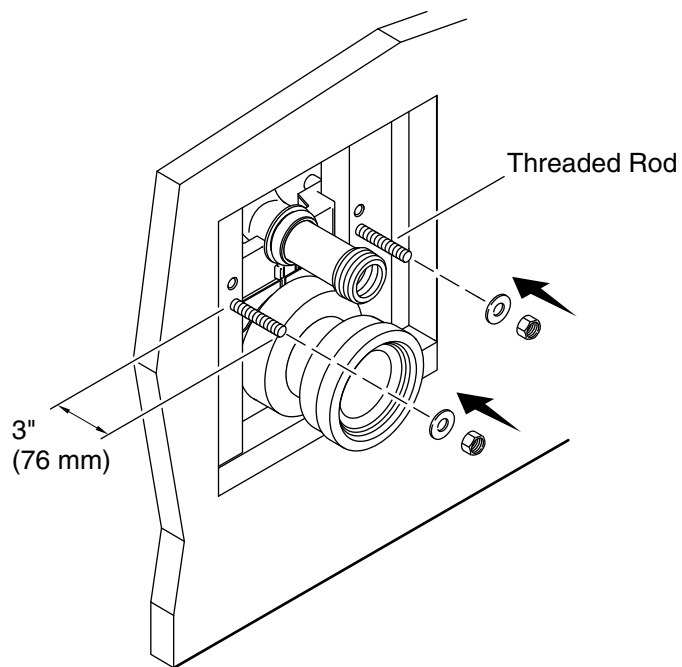
- Measure the distance between the two marks on the inlet pipe to determine "X."
- Measure and mark "X" from the end opposite the gasket on the inlet pipe.
- Cut the inlet pipe at this location.
- Measure the distance between the two marks on the outlet pipe to determine "Y."
- Measure and mark "Y" from the end of the side opposite the gasket on the outlet pipe.
- Cut the outlet pipe at this location.
- Use a file to remove all rough areas on the cut end of each pipe.



5. Install the Pipes

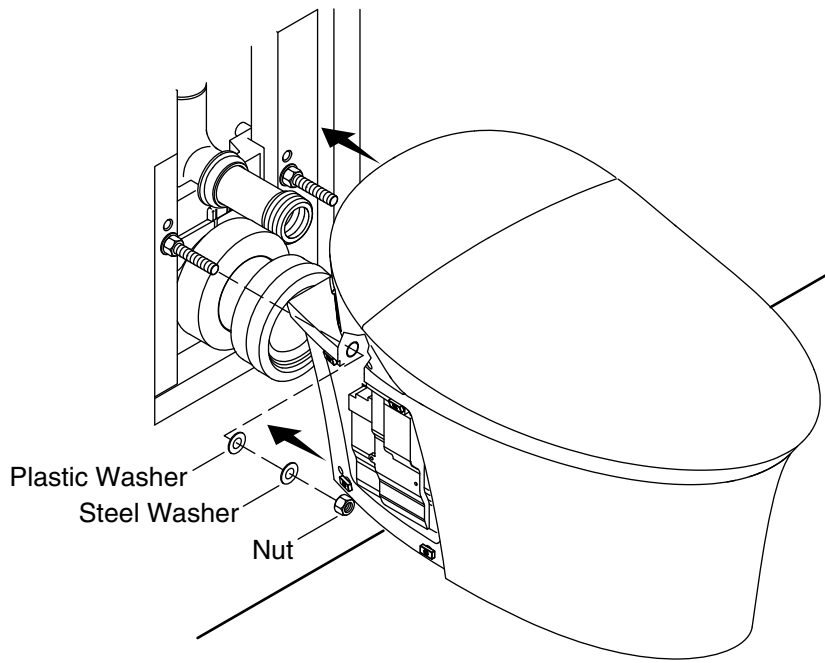
NOTE: Be sure that the gaskets on the inlet and outlet holes are still well lubricated with plumbers grease. Apply more plumbers grease if necessary.

- Insert the inlet pipe into the inlet hole
- Insert the outlet pipe into the outlet hole



6. Adjust the Threaded Rods

- Adjust the threaded rods until they each extend 3" (76 mm) from the finished wall.
- Place a washer onto each threaded rod.
- Thread one of the jam nuts over each threaded rod and tighten down to lock the rods in position.



7. Install the Bowl

NOTE: This step is easier when performed by two people.

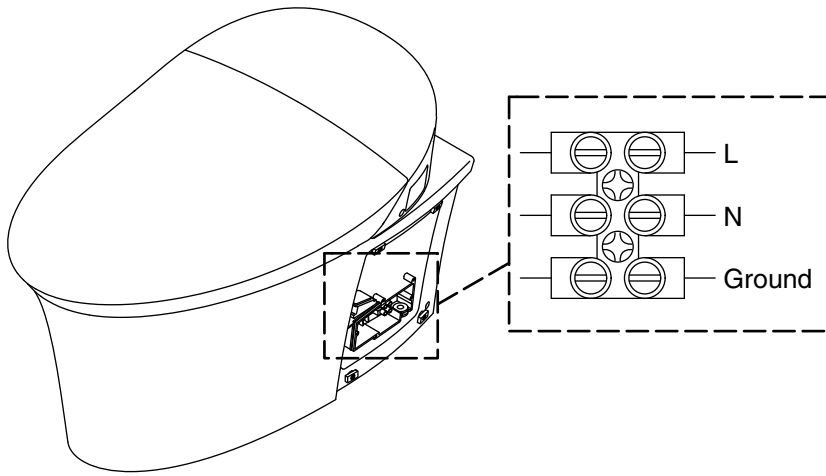
NOTE: When mounting the bowl to the carrier be sure any necessary water and electrical lines are accessible. Run the lines through the vitreous on the right side of the bowl so that they can be easily connected in the next steps.

NOTE: Be sure all gaskets are well lubricated with plumbers grease. Reapply plumbers grease if necessary.

- Confirm the gasket on the inside of the inlet elbow has correctly engaged with the inlet pipe.
- Confirm the gasket on the inside of the outlet elbow has correctly engaged with the outlet pipe.
- Carefully lift the bowl up and align the threaded rods and pipes with the corresponding holes.
- Slide the bowl onto the threaded rods, inlet pipe and outlet pipe. Make sure the bowl fully engages the gaskets on the inlet and outlet pipes.
- Slide the bowl back until it makes contact with the wall.

Install the Bowl (cont.)

- Install the plastic washers, steel washers, and nuts over the threaded rods.
- Tighten the nuts with a socket wrench and 3/4" socket.



8. Connect the Electrical Supply



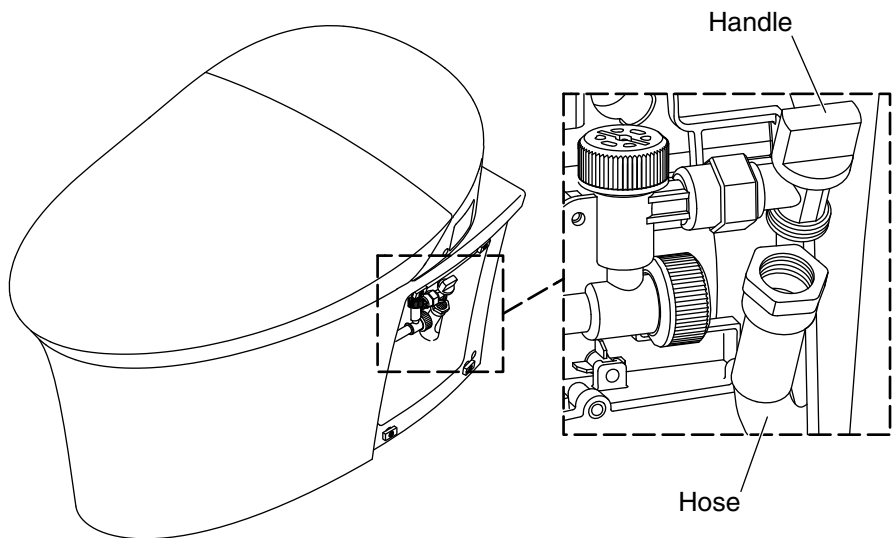
WARNING: Risk of electric shock. Disconnect the power before performing the following procedures.



WARNING: Risk of electric shock. Connect only to a properly grounded Ground-Fault Circuit-interrupter (GFCI) or Residual Current Device (RCD) for protection against line-to-ground shock hazard.

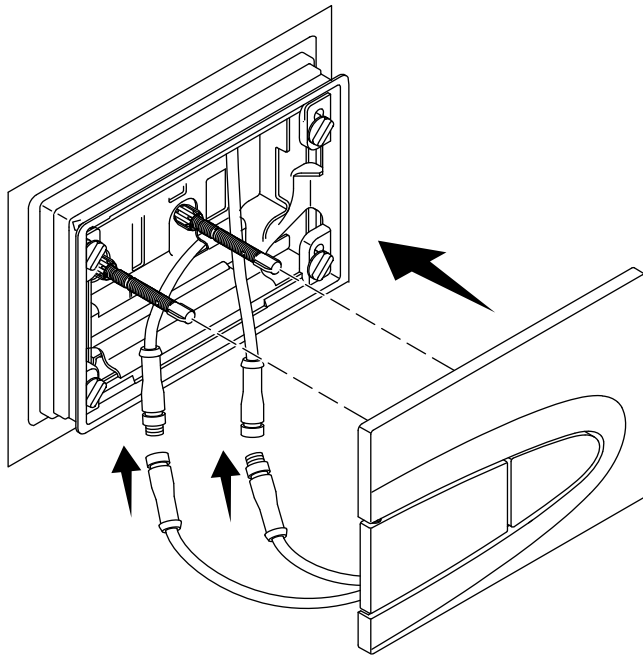
IMPORTANT! If you are unsure how to correctly connect the power to the bowl consult a qualified electrician or service technician. Improper power supply connection will lead to product damage.

- Remove the cover from the junction box on the toilet.
- Connect the electrical wires.
- The port labeled "L" is live.
- The port labeled "N" is natural.
- The bottom port is the ground.
- Reinstall the cover.



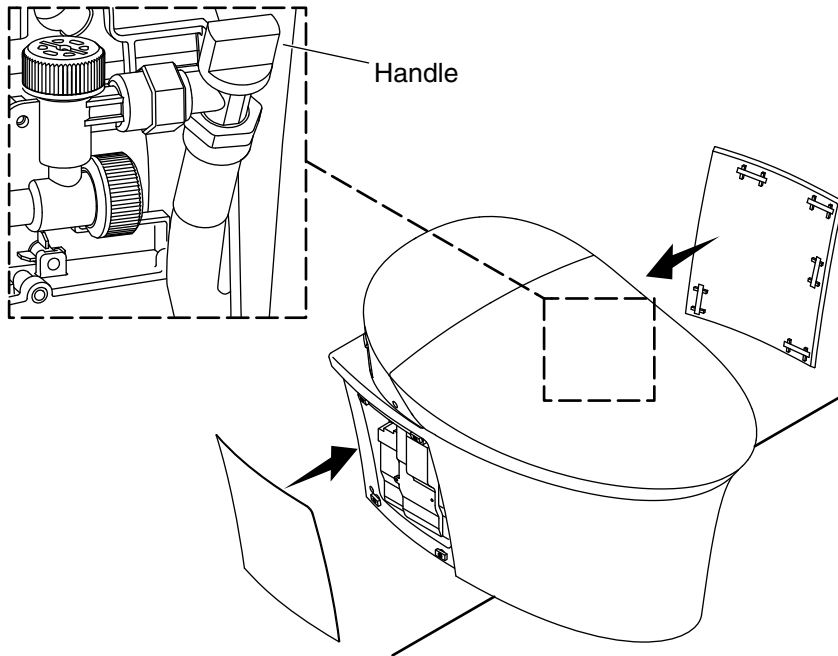
9. Install and Connect the Cleansing Seat

- Connect the black control cord from the carrier to the black control cord from the cleansing seat.
- Connect the cleansing seat water supply hose to the supply shut-off.
- Confirm the supply shut-off handle operates correctly.



10. Install the Faceplate

- Connect the control cords from the faceplate to their corresponding cords on the tank.
- Position the faceplate over the rods and press into place.



11. Complete the Installation

Check for Leaks

- Turn on the water supply to the tank.
- Turn the cleansing seat water supply handle to the "ON" position.
- Check for leaks.

Confirm Correct Operation

- Press the left side of the faceplate to confirm the full flush is operating correctly.
- Press the right side of the faceplate to confirm the eco-flush is working correctly.
- Confirm the cleansing seat is functioning correctly. Refer to the Homeowners Guide.

Install the Side Panels

NOTE: There is a left and right side panel. They are not interchangeable.

Complete the Installation (cont.)

- Place the left and right panels on the correct side and ensure that they are held on by the magnets.