



XOU24BCGOA  
UNDERCOUNTER BEVERAGE CENTER  
GLASS OVERLAY



Height Adjusts  
to Accommodate:  
ADA Compliant Cabinetry  
European Cabinetry  
US Standard Cabinets  
4" or 6" Toe Kick

Designed for use with a  
framed glass overlay door.

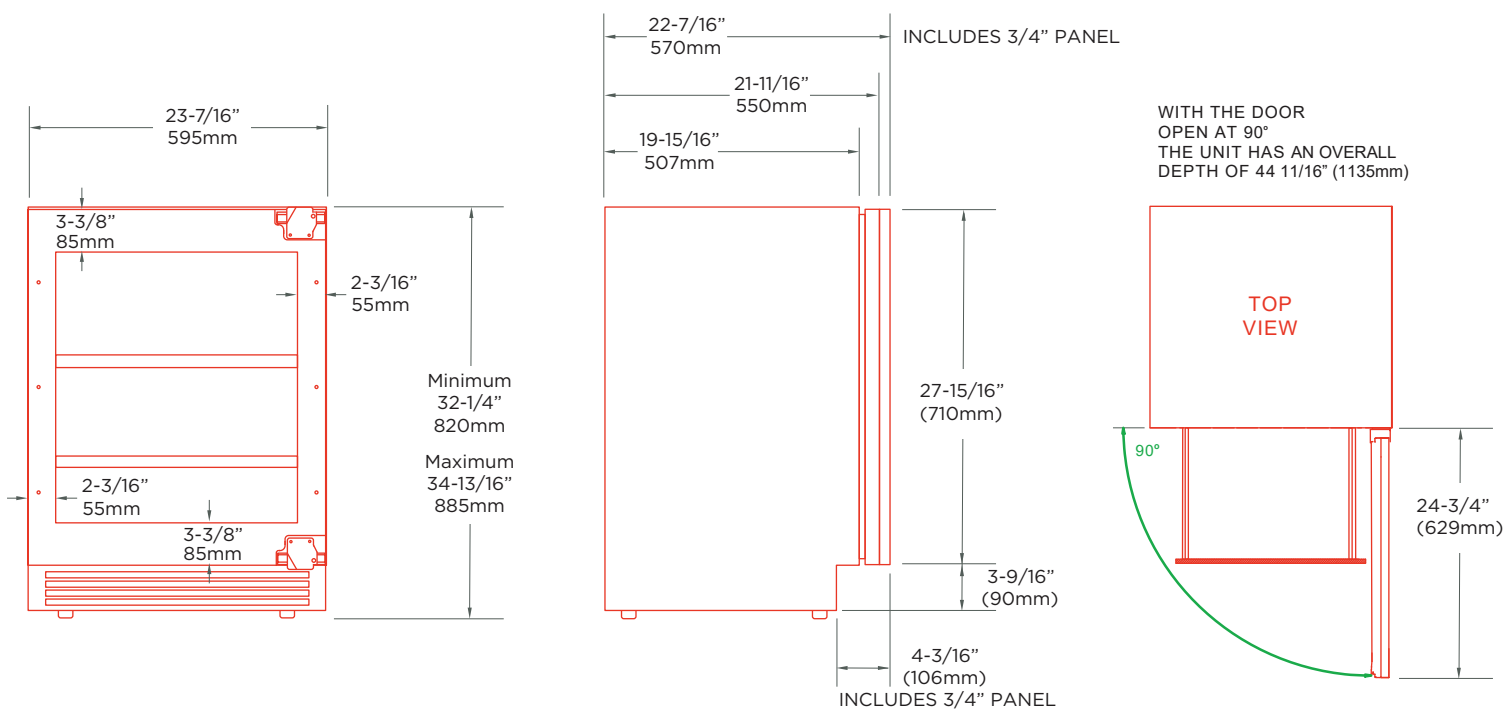
24" UNDERCOUNTER BEVERAGE CENTER with OVERLAY FRAME DOOR

STORE UP TO 118 (12oz) CANS - READY TO SERVE AT 34° to 50° F  
AND STILL FIND JUST WHAT YOU ARE LOOKING FOR

Your XO Beverage Center comes with clear glass, fully telescoping shelves. No more fumbling about or emptying shelves to find what you are looking for. Simply extend the shelf out to see what is in the back. And because cabinetry comes in a variety of heights and styles - your XO can accommodate a framed glass look in either ADA or US standard heights.

WORLD CLASS SERVICE | COMPREHENSIVE WARRANTIES  
OUR LASTING COMMITMENT TO YOU





FEATURES

CAPACITY

Full extension clear glass shelves hold: (118) 12oz cans at 41° to 50°F

Articulated hinges for seamless integration

FEATURES

Soft closing, field reversible door

Library quiet 39 dBA operation

Elegant tri-color interior illumination

True seamless cabinet integration

Intuitive digital touch controls

6 1/2' power cord with low profile 90° flat plug

Low E Glass blocks harmful UV light

Alarm Functions

Energy Saver and Sabbath Mode

SPECIFICATIONS

**ELECTRICAL** 120V 60HZ 4.35 AMP\*

**DIMENSIONS** H 32 1/4" min - 34 13/16" max  
 W 23 7/16"  
 D 21 11/16" (w/o finish panel)

**ROUGH IN** H 32 1/2" min  
 W 24"  
 D 24"

**REFRIGERANT** R600A

**OPTIONAL ACCESSORIES** SS Door Panel for ADA Installs (includes 2 different style handles) P/N: XOU24ADASG

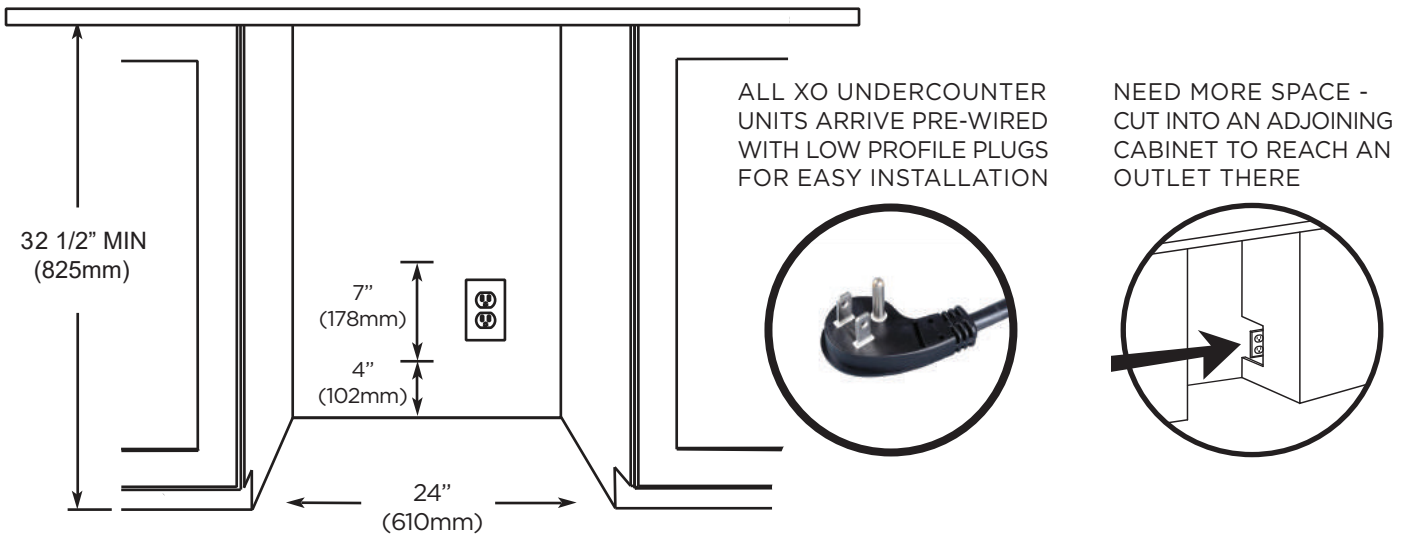


xoappliance.com | 800.966.8300

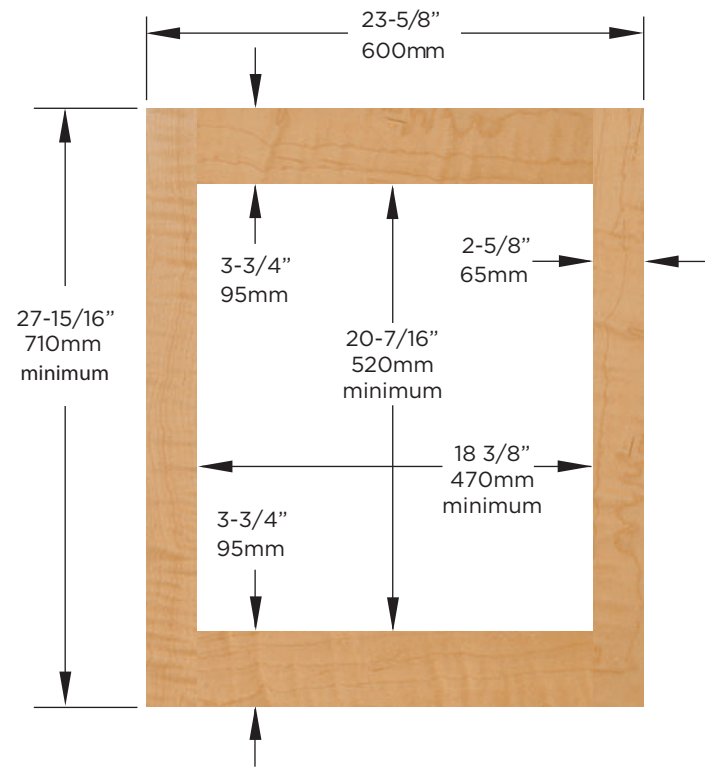


XO is exclusively distributed by EASTERN MARKETING CORP. 24 Eisenhower Parkway Roseland, NJ 07068

ROUGH IN DIMENSIONS



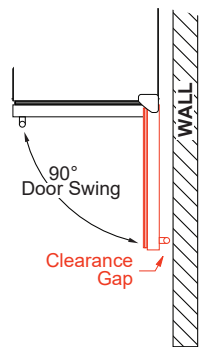
OVERLAY FRAME DIMENSIONS



To conceal door completely observe the frame dimensions as minimums.

You can extend panel height but the gap between the bottom of the door and the floor must be at least 3" for ventilation.

To reduce possibility of warping - overlay frame should be finished on all sides.



WHEN INSTALLING WITH THE HINGE SIDE NEXT TO A WALL - LEAVE ADEQUATE SPACE FOR CABINET HANDLES

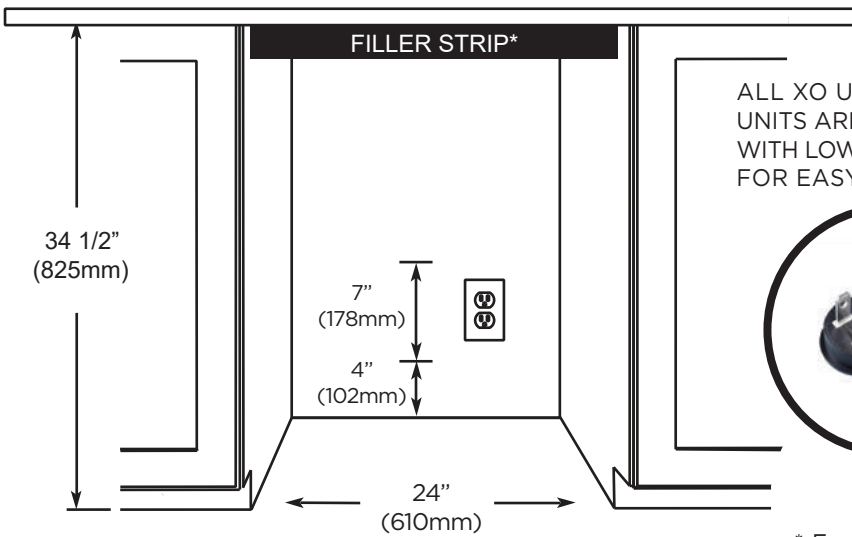
DOOR MUST BE ABLE TO OPEN A MINIMUM OF 90°.



THE DOOR STOP IS SET AT 110° BUT CAN BE RESET TO 90° OR 140°.

IF THE DOOR CANNOT OPEN FULLY YOU CANNOT EXTEND THE RACKS.

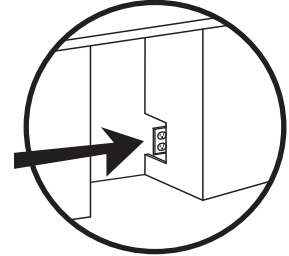
ROUGH IN DIMENSIONS



ALL XO UNDERCOUNTER UNITS ARRIVE PRE-WIRED WITH LOW PROFILE PLUGS FOR EASY INSTALLATION



NEED MORE SPACE - CUT INTO AN ADJOINING CABINET TO REACH AN OUTLET THERE



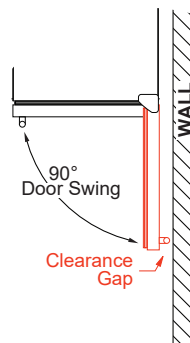
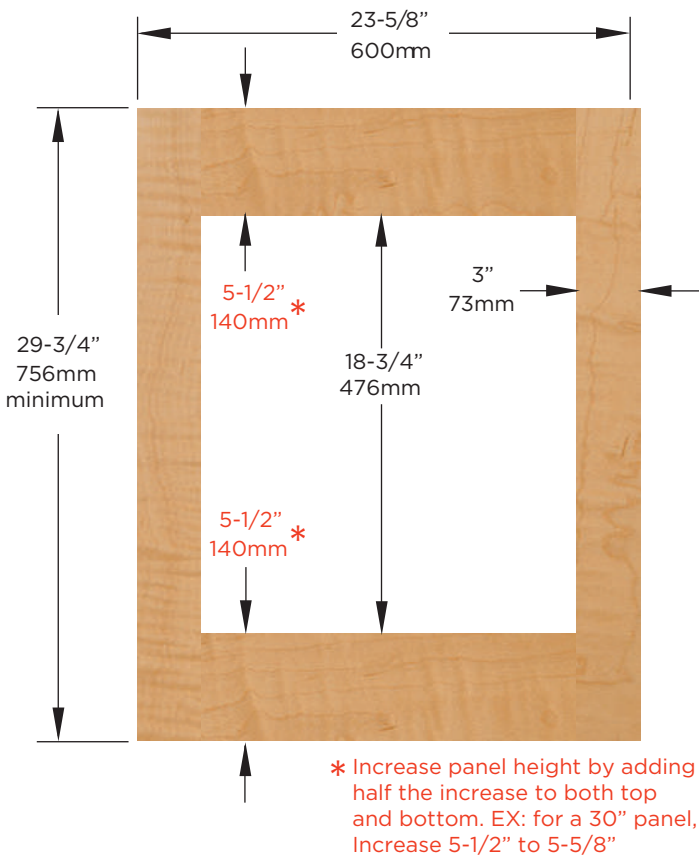
\* For US cabinets, use a filler strip to close the gap above the unit behind the door (an ell bracket is included) For European cabinets with a 6" toekick, raise the unit by 2" using the leveling legs and install a custom plinth leaving an open space for ventilation (consult manual)

To conceal door completely observe the frame dimensions as minimums.

You can change panel height but the gap between the bottom of the door and the floor must be at least 3" for ventilation.

To reduce possibility of warping - overlay frame should be finished on all sides.

OVERLAY FRAME DIMENSIONS



WHEN INSTALLING WITH THE HINGE SIDE NEXT TO A WALL - LEAVE ADEQUATE SPACE FOR CABINET HANDLES

DOOR MUST BE ABLE TO OPEN A MINIMUM OF 90°.

THE DOOR STOP IS SET AT 110° BUT CAN BE RESET TO 90° OR 140°.

IF THE DOOR CANNOT OPEN FULLY YOU CANNOT EXTEND THE RACKS.