



Sheboygan, WI

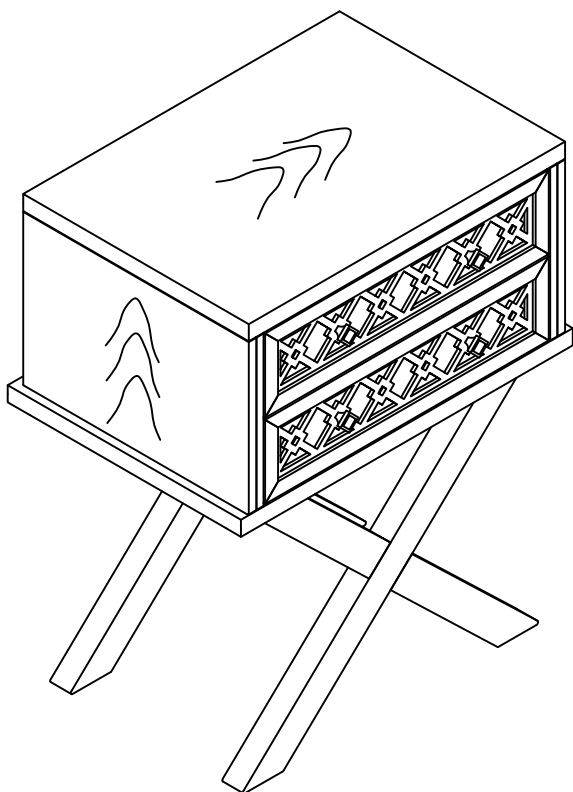
920-451-4060

Thank you for purchasing Leick Furniture products.  
Contact customer service for comments or concerns.

info@leickhome.com

www.leickhome.com

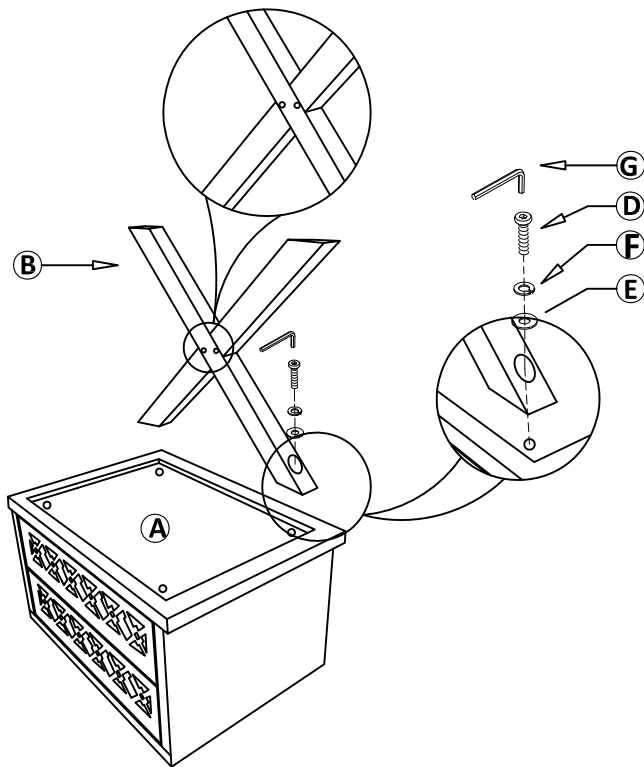
## Assembly Instructions, #10082 Mirrored X Base Nightstand



A: Top Assembly	
B: (2) Legs	
C: Stretcher	
D: (4) Bolts	
E: (4) Flat Washer	
F: (4) Lock Washer	
G: Allen Wrench	
H: (2) Screws	
I: Anti- tipping Hardware	

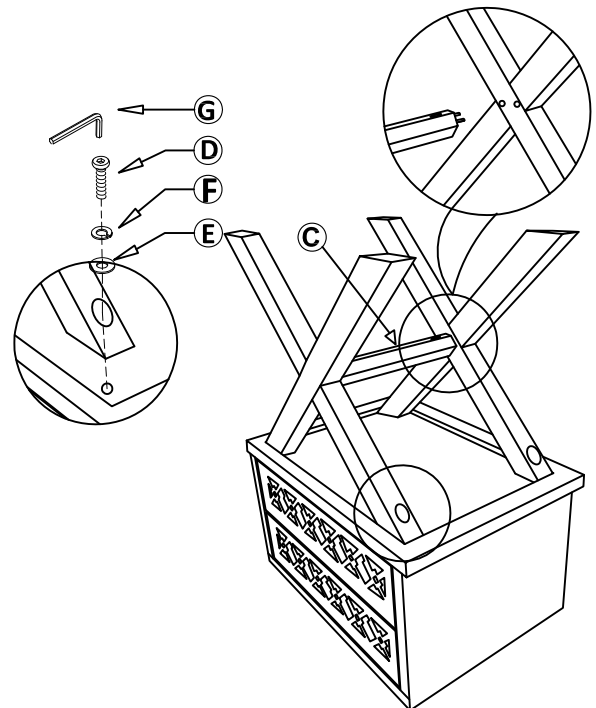
### Step 1

Place the top assembly upside down, fasten one leg frame onto the top with parts (D & F & E) .



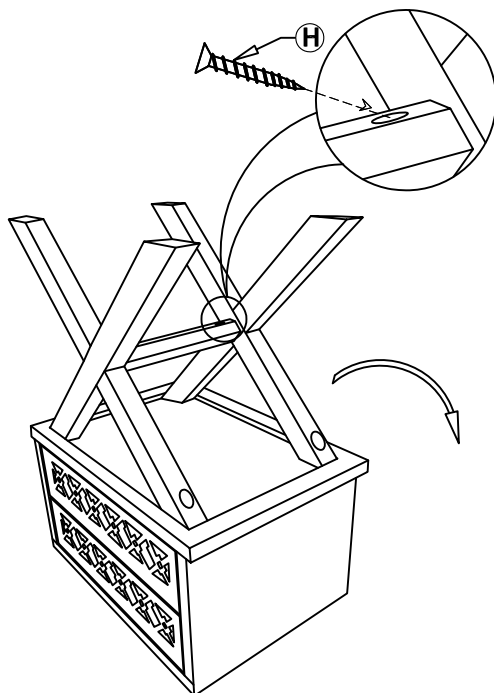
### Step 2

Insert the stretcher into the leg frame. Make sure the screw hole is oriented as shown in the drawing, or else it will show once the piece is turned over. Now fasten the other leg frame with parts (D & F & E) .



### Step 3

Tighten the stretcher with screws. Place the nightstand right side up.



### Step 4

Open the drawers to reverse and fasten the knobs as per diamond shape on outside of drawer front. Fasten the anti-tipping hardware on the back of nightstand into pre-drilled holes.

