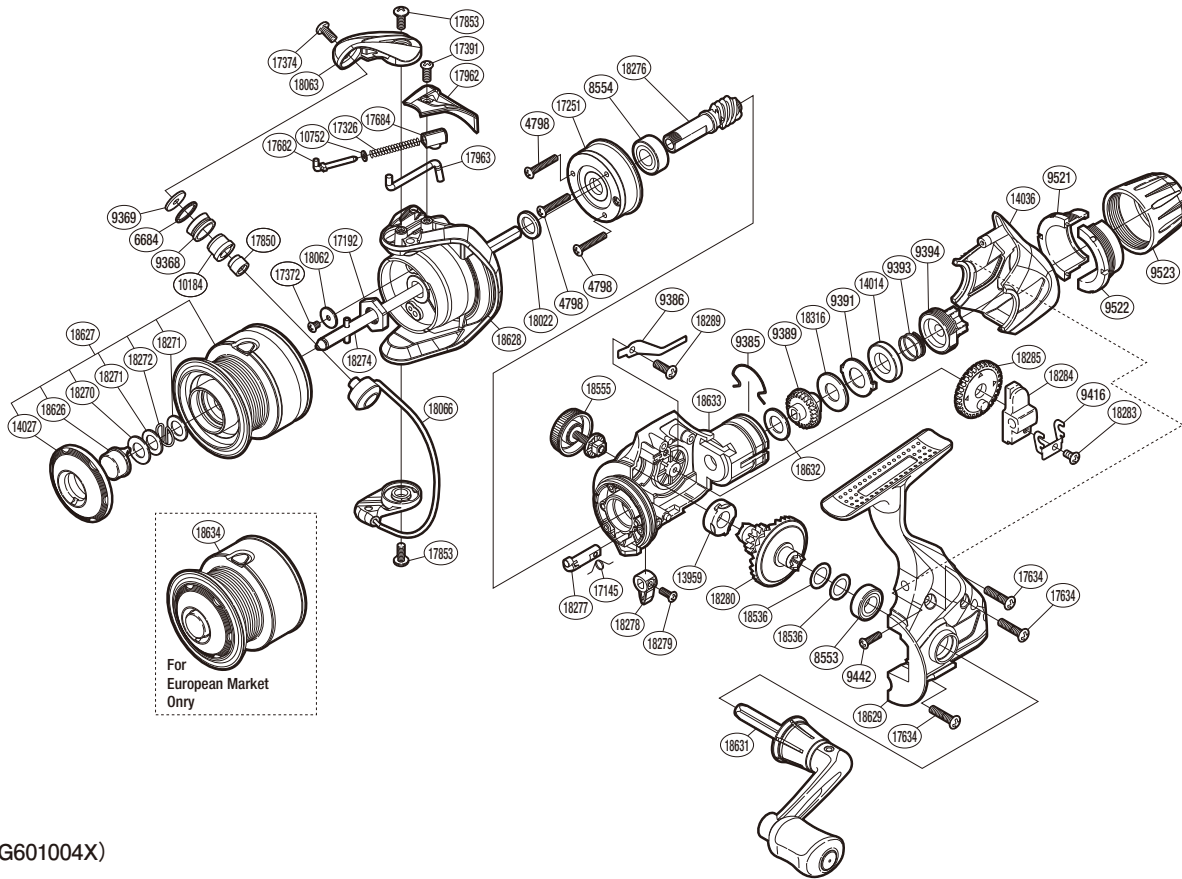


SHIMANO

CATANA

CAT-1000RC



(51SG601004X)

#	Part No.	Description	#	Part No.	Description	#	Part No.	Description
4798	103C6	Screw	14036	10NE1	Rear Protector	18274	10EC6	Main Shaft
6684	10KFD	Line Roller Spacer	17145	105B4	Anti-Reverse Cam Spring	18276	10SG0	Pinion Gear
8553	107AT	Ball Bearing	17192	1067Y	Rotor Nut	18277	10SS7	Anti-Reverse Cam
8554	107FE	Ball Bearing	17251	10QPN	Roller Clutch Assembly	18278	10SSA	Anti-Reverse Lever
9368	10JLF	Line Roller	17326	10R2N	Bail Spring	18279	10L1V	Screw
9369	10PFP	Washer	17372	10LCE	Screw	18280	10SS0	Drive Gear
9385	10P3W	Hold Click Spring	17374	10K90	Screw	18283	10L23	Screw
9386	10P0E	Drag Click	17391	10LFC	Screw	18284	101TT	Oscillating Slider
9389	10MXP	Drag Shaft	17634	10L6Q	Screw	18285	101TU	Oscillating Gear
9391	10N7X	Eared Washer	17682	1061L	Bail Spring Guide A	18289	10LFJ	Screw
9393	10NBE	Drag Coil Spring	17684	107AB	Bail Spring Seat	18316	107CV	Drag Washer
9394	10MV8	Pressure Screw	17850	1020X	Line Roller Collar	18536	1003B	Washer
9416	10JZH	Oscillating Slider Retainer	17853	10LFH	Screw	18555	101VG	Handle Screw Cap
9442	10L1X	Screw	17962	101T4	Bail Spring Cover	18626	10JRS	Push Button
9521	107TY	Drag Programmer B1	17963	106L0	Bail Trip Lever	18627	10T0K	Spool Assembly
9522	10NC8	Drag Programmer B2	18022	10JVH	Washer	18628	10T0L	Rotor
9523	10MVN	Drag Programmer A	18062	1019V	Washer	18629	10T09	Side Cover
10184	10PFH	Line Roller Bushing	18063	101U7	Bail Arm	18631	10247	Handle Assembly
10752	10TYE	Bail Spring Guide A Support	18066	10DH9	Bail Assembly	18632	10P0S	Drag Washer
13959	10J6N	Drive Gear Bushing	18270	10AX1	Washer	18633	101AM	Body
14014	10BX6	Drag Collar	18271	10AX4	Washer			
14027	10QQ5	Push Button Collar	18272	10AX2	Locking Spring	18634	10T0J	Spare Spool Assembly

Please note that the number of adjusting washers may not be the same as shown in the exploded views.
(Adjustment will vary with each individual product.)

(230823)_003