

# SCHOOLHOUSE

## Fran 2.25", 10" Metal Dish Shade



**Application:** Flush Mount

**Product Origin:** Processed and assembled in Portland, Oregon using ethically-sourced domestic and global components.

**UL Listed:** Yes

**Max Wattage:** 75 W

**Voltage:** 120/220 V

**Location Rating:** Damp

**Dimensions:**

Overall: 3.5" H x 10" W x 10" D

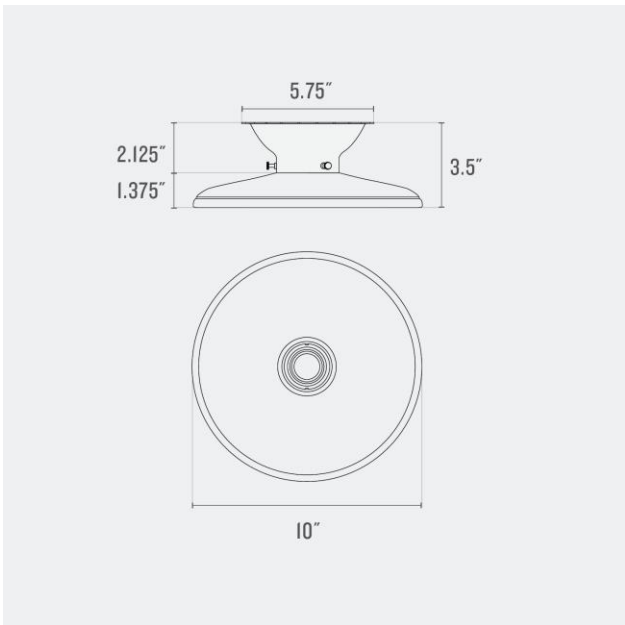
Shade: 1.375" H x 10" W x 10" D

Canopy: 2.125" H x 5.75" W x 5.75" D

Fitter Size: 2.25"

**Materials:** Brass, Steel

One year guarantee



# SCHOOLHOUSE

---

## Fixture Option(s)



Industrial  
Yellow-Satin  
(INY-S)



Pool-Satin  
(PL-S)



Paprika-Satin  
(PPA-S)



Dune-Satin  
(DU-S)



Butterscotch-  
Satin  
(BU-S)



Alder-Satin  
(AGR-S)



Natural Brass  
(NB)



Laurel-Satin  
(LR-S)



Black-Satin  
(BK-S)



Lichen-Satin  
(LN-S)



Pebble-Satin  
(PEB-S)



Persimmon-  
Satin  
(PS-S)



Shell White  
(SWT)



Bellini-Satin  
(BN-S)



Ecrú-Satin  
(EC-S)



Chamomile-  
Satin  
(CE-S)



Juniper-Satin  
(JPR-S)



Azalea-Satin  
(AZ-S)

## Shade Option(s)



White, Gloss  
(WT-G)



Natural Brass  
(NB)



True Black  
(TB)

# SCHOOLHOUSE

## Fran 2.25", Metal Bell Shade



**Application:** Flush Mount

**Product Origin:** Processed and assembled in Portland, Oregon using ethically-sourced domestic and global components.

**UL Listed:** Yes

**Max Wattage:** 75 W

**Voltage:** 120/220 V

**Location Rating:** Damp

**Dimensions:**

Overall: 6.25" H x 7" W x 7" D

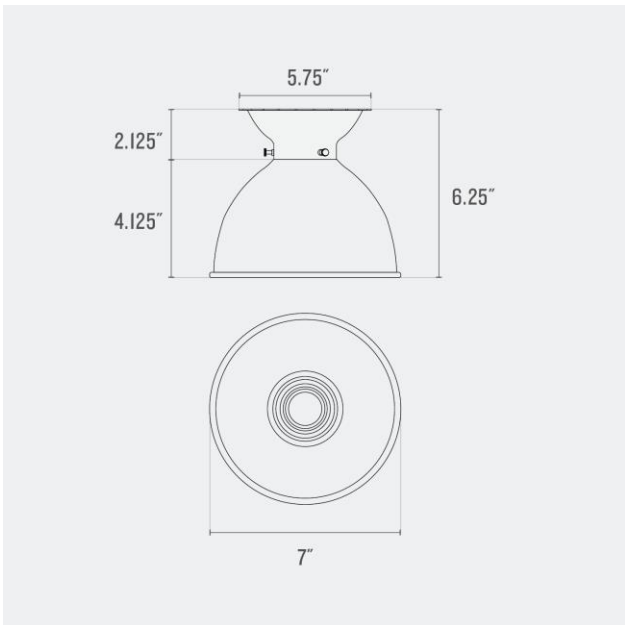
Shade: 4.125" H x 7" W x 7" D

Canopy: 2.125" H x 5.75" W x 5.75" D

Fitter Size: 2.25"

**Materials:** Brass, Steel

One year guarantee



# SCHOOLHOUSE

---

## Fixture Option(s)



Industrial Yellow-Satin (INY-S)



Pool-Satin (PL-S)



Paprika-Satin (PPA-S)



Dune-Satin (DU-S)



Butterscotch-Satin (BU-S)



Alder-Satin (AGR-S)



Natural Brass (NB)



Laurel-Satin (LR-S)



Black-Satin (BK-S)



Lichen-Satin (LN-S)



Pebble-Satin (PEB-S)



Persimmon-Satin (PS-S)



Shell White (SWT)



Bellini-Satin (BN-S)



Ecrú-Satin (EC-S)



Chamomile-Satin (CE-S)



Juniper-Satin (JPR-S)



Azalea-Satin (AZ-S)

## Shade Option(s)



White, Gloss (WT-G)

# SCHOOLHOUSE

## Fran 2.25", Open Globe Shade



**Application:** Flush Mount

**Product Origin:** Processed and assembled in Portland, Oregon using ethically-sourced domestic and global components.

**UL Listed:** Yes

**Max Wattage:** 75 W

**Voltage:** 120/220 V

**Location Rating:** Damp

**Dimensions:**

Overall: 8.875" H x 8" W x 8" D

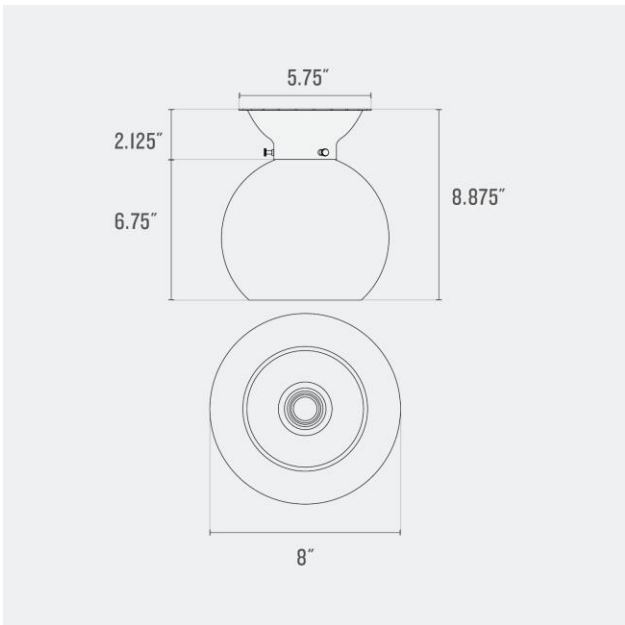
Shade: 6.75" H x 8" W x 8" D

Canopy: 2.125" H x 5.75" W x 5.75" D

Fitter Size: 2.25"

**Materials:** Brass, Glass, Steel

One year guarantee



# SCHOOLHOUSE

---

## Fixture Option(s)



Lichen-Satin  
(LN-S)



Bellini-Satin  
(BN-S)



Ecrú-Satin  
(EC-S)



Shell White-Satin  
(SWT-S)



Juniper-Satin  
(JPR-S)



Butterscotch-Satin  
(BU-S)



Natural Brass  
(NB)



Paprika-Satin  
(PPA-S)



Pool-Satin  
(PL-S)



Alder-Satin  
(AGR-S)



Dune-Satin  
(DU-S)



Black-Satin  
(BK-S)



Azalea-Satin  
(AZ-S)



Pebble-Satin  
(PEB-S)



Persimmon-Satin  
(PS-S)



Industrial Yellow-Satin  
(INY-S)



Laurel-Satin  
(LR-S)



Chamomile-Satin  
(CE-S)

## Shade Option(s)



Clear Glass  
(CL)



Opal Glass  
(OP)

# SCHOOLHOUSE

## Fran 2.25", Saucer Shade



**Application:** Flush Mount

**Product Origin:** Processed and assembled in Portland, Oregon using ethically-sourced domestic and global components.

**UL Listed:** Yes

**Max Wattage:** 75 W

**Voltage:** 120/220 V

**Location Rating:** Damp

**Dimensions:**

Overall: 3.5" H x 8.5" W x 8.5" D

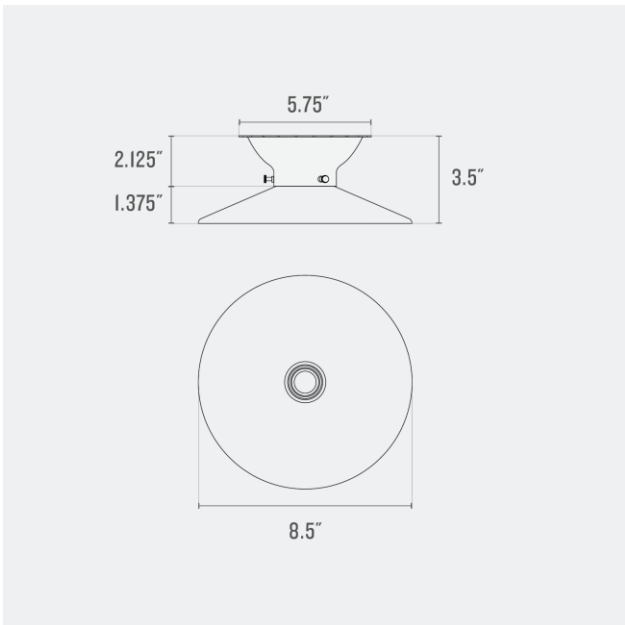
Shade: 1.375" H x 8.5" W x 8.5" D

Canopy: 2.125" H x 5.75" W x 5.75" D

Fitter Size: 2.25"

**Materials:** Brass, Glass, Steel

One year guarantee



# SCHOOLHOUSE

---

## Fixture Option(s)



Pebble-Satin  
(PEB-S)



Shell White-Satin  
(SWT-S)



Dune-Satin  
(DU-S)



Butterscotch-Satin  
(BU-S)



Black-Satin  
(BK-S)



Pool-Satin  
(PL-S)



Alder-Satin  
(AGR-S)



Azalea-Satin  
(AZ-S)



Ecru-Satin  
(EC-S)



Chamomile-Satin  
(CE-S)



Natural Brass  
(NB)



Bellini-Satin  
(BN-S)



Persimmon-Satin  
(PS-S)



Lichen-Satin  
(LN-S)



Laurel-Satin  
(LR-S)



Industrial Yellow-Satin  
(INY-S)



Paprika-Satin  
(PPA-S)



Juniper-Satin  
(JPR-S)

## Shade Option(s)



Clear Glass  
(CL)



Opal Glass  
(OP)



# SCHOOLHOUSE

## Fran 2.25", Slim Cone Shade



**Application:** Flush Mount

**Product Origin:** Processed and assembled in Portland, Oregon using ethically-sourced domestic and global components.

**UL Listed:** Yes

**Max Wattage:** 75 W

**Voltage:** 120/220 V

**Location Rating:** Damp

**Dimensions:**

Overall: 6.25" H x 6.625" W x 6.625" D

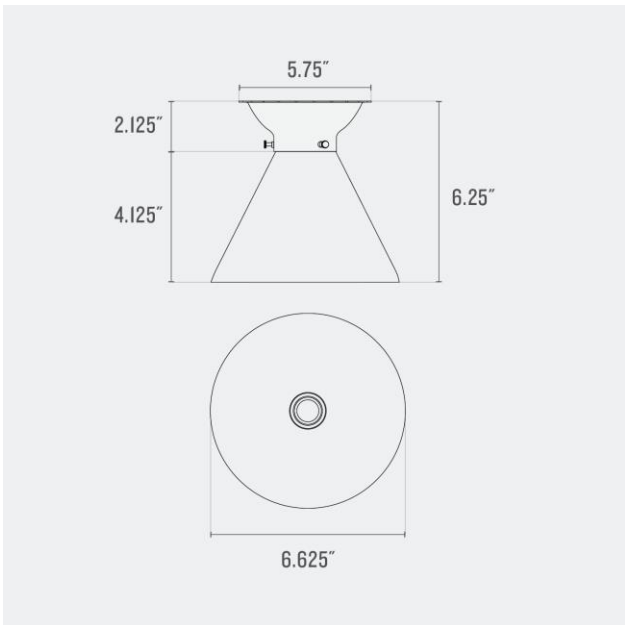
Shade: 4.125" H x 6.625" W x 6.625" D

Canopy: 2.125" H x 5.75" W x 5.75" D

Fitter Size: 2.25"

**Materials:** Brass, Glass, Steel

One year guarantee



# SCHOOLHOUSE

## Fixture Option(s)



Black-Satin  
(BK-S)



Natural Brass  
(NB)



Butterscotch-Satin  
(BU-S)



Persimmon-Satin  
(PS-S)



Pool-Satin  
(PL-S)



Lichen-Satin  
(LN-S)



Bellini-Satin  
(BN-S)



Paprika-Satin  
(PPA-S)



Juniper-Satin  
(JPR-S)



Dune-Satin  
(DU-S)



Alder-Satin  
(AGR-S)



Azalea-Satin  
(AZ-S)



Ecrú-Satin  
(EC-S)



Chamomile-Satin  
(CE-S)



Pebble-Satin  
(PEB-S)



Industrial Yellow-Satin  
(INY-S)



Shell White-Satin  
(SWT-S)



Laurel-Satin  
(LR-S)

## Shade Option(s)



Opal Glass  
(OP)



Clear Glass  
(CL)

# SCHOOLHOUSE

## Fran 2.25", Straight Bell Shade Shade

**Application:** Flush Mount

**Product Origin:** Processed and assembled in Portland, Oregon using ethically-sourced domestic and global components.

**UL Listed:** Yes

**Max Wattage:** 75 W

**Voltage:** 120/220 V

**Location Rating:** Damp

**Dimensions:**

Overall: 6.625" H x 5.75" W x 5.75" D

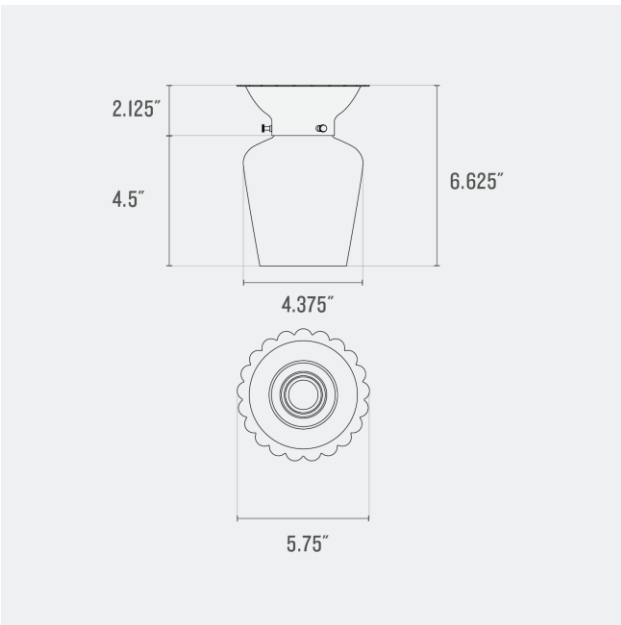
Shade: 4.5" H x 4.375" W x 4.375" D

Canopy: 2.125" H x 5.75" W x 5.75" D

Fitter Size: 2.25"

**Materials:** Brass, Glass, Steel

One year guarantee



# SCHOOLHOUSE

---

## Fixture Option(s)



Chamomile-Satin  
(CE-S)



Lichen-Satin  
(LN-S)



Persimmon-Satin  
(PS-S)



Pool-Satin  
(PL-S)



Black-Satin  
(BK-S)



Azalea-Satin  
(AZ-S)



Bellini-Satin  
(BN-S)



Butterscotch-Satin  
(BU-S)



Alder-Satin  
(AGR-S)



Natural Brass  
(NB)



Laurel-Satin  
(LR-S)



Shell White-Satin  
(SWT-S)



Paprika-Satin  
(PPA-S)



Ecru-Satin  
(EC-S)



Dune-Satin  
(DU-S)



Pebble-Satin  
(PEB-S)



Juniper-Satin  
(JPR-S)



Industrial  
Yellow-Satin  
(INY-S)

## Shade Option(s)



Opal Glass  
(OP)



Clear Glass  
(CL)



Black Pinstripe  
(BPS)



Gray Bands  
(GB)

# SCHOOLHOUSE

## Fran 2.25", Wide Cone Shade



**Application:** Flush Mount

**Product Origin:** Processed and assembled in Portland, Oregon using ethically-sourced domestic and global components.

**UL Listed:** Yes

**Max Wattage:** 75 W

**Voltage:** 120/220 V

**Location Rating:** Damp

**Dimensions:**

Overall: 6.625" H x 9.5" W x 9.5" D

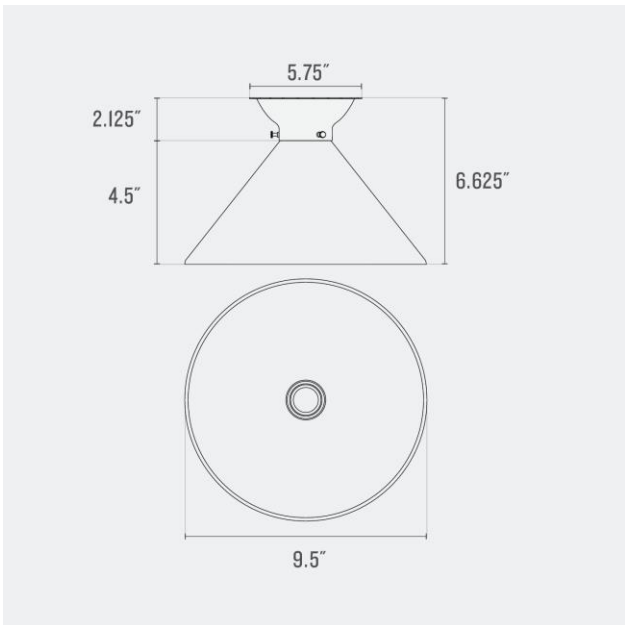
Shade: 4.5" H x 9.5" W x 9.5" D

Canopy: 2.125" H x 5.75" W x 5.75" D

Fitter Size: 2.25"

**Materials:** Brass, Glass, Steel

One year guarantee



# SCHOOLHOUSE

---

## Fixture Option(s)



Azalea-Satin  
(AZ-S)



Black-Satin  
(BK-S)



Paprika-Satin  
(PPA-S)



Natural Brass  
(NB)



Pool-Satin  
(PL-S)



Lichen-Satin  
(LN-S)



Dune-Satin  
(DU-S)



Persimmon-Satin  
(PS-S)



Butterscotch-Satin  
(BU-S)



Alder-Satin  
(AGR-S)



Chamomile-Satin  
(CE-S)



Juniper-Satin  
(JPR-S)



Shell White-Satin  
(SWT-S)



Industrial Yellow-Satin  
(INY-S)



Laurel-Satin  
(LR-S)



Ecrú-Satin  
(EC-S)



Bellini-Satin  
(BN-S)



Pebble-Satin  
(PEB-S)

## Shade Option(s)



Clear Glass  
(CL)



Opal Glass  
(OP)