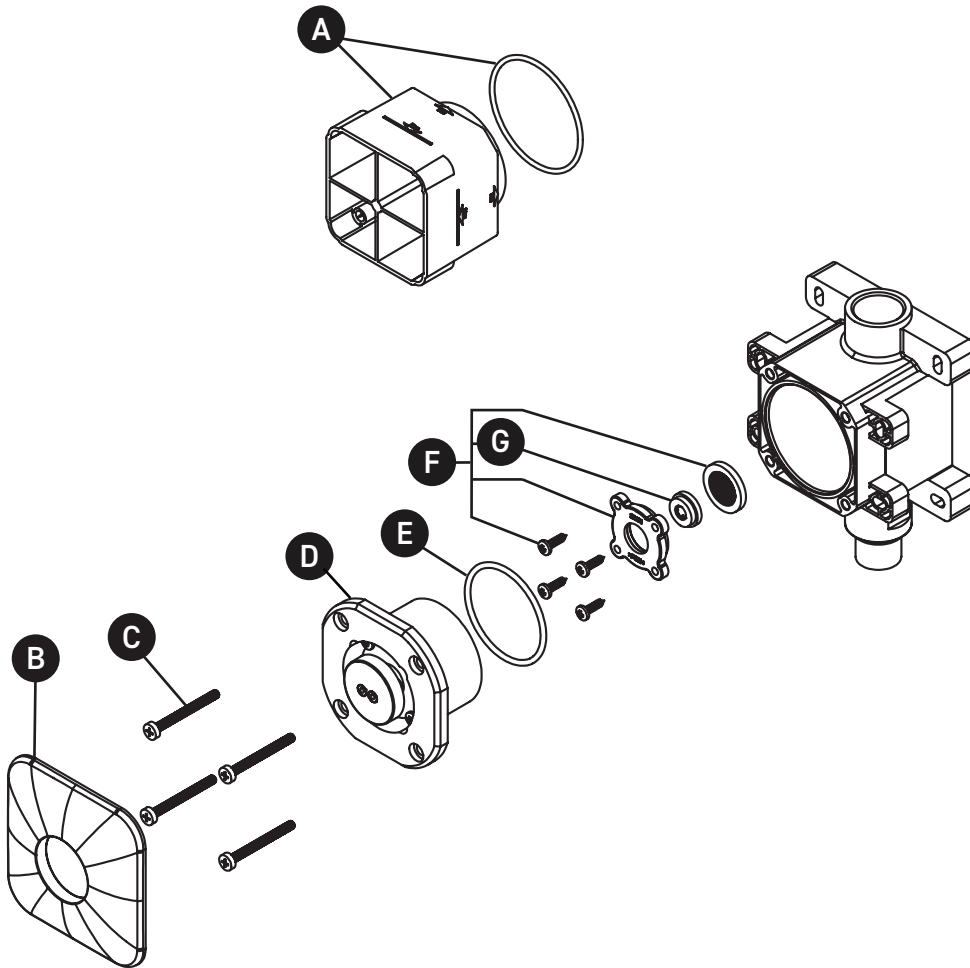


ORDER BY PART NUMBER

## ILLUSTRATED PARTS

### 399

Single Function Body Spray



| ID | Kit Number   | Finish    |
|----|--------------|-----------|
| A  | 7539         | N/A       |
| B* | 024-190      | See below |
| C  | 392-274 (4x) | N/A       |
| D* | 4552         | See below |
| E  | 226-457      | N/A       |
| F  | 4592         | N/A       |
| G  | 6570         | N/A       |

| <b>*Finish Determined by Suffix</b> |                    |
|-------------------------------------|--------------------|
| <u>Finish</u>                       | <u>Description</u> |
| C                                   | Chrome             |

For warranty or additional information, contact:

U.S.A.  
houseofrohl.com/support  
1-800-777-9762

QUEBEC / MARITIMES / WESTERN CANADA  
QUÉBEC / MARITIMES / OUEST CANADIEN  
QUEBEC / MARITIMOS / CANADA OCCIDENTAL  
houseofrohl.ca/support  
1-866-473-8442

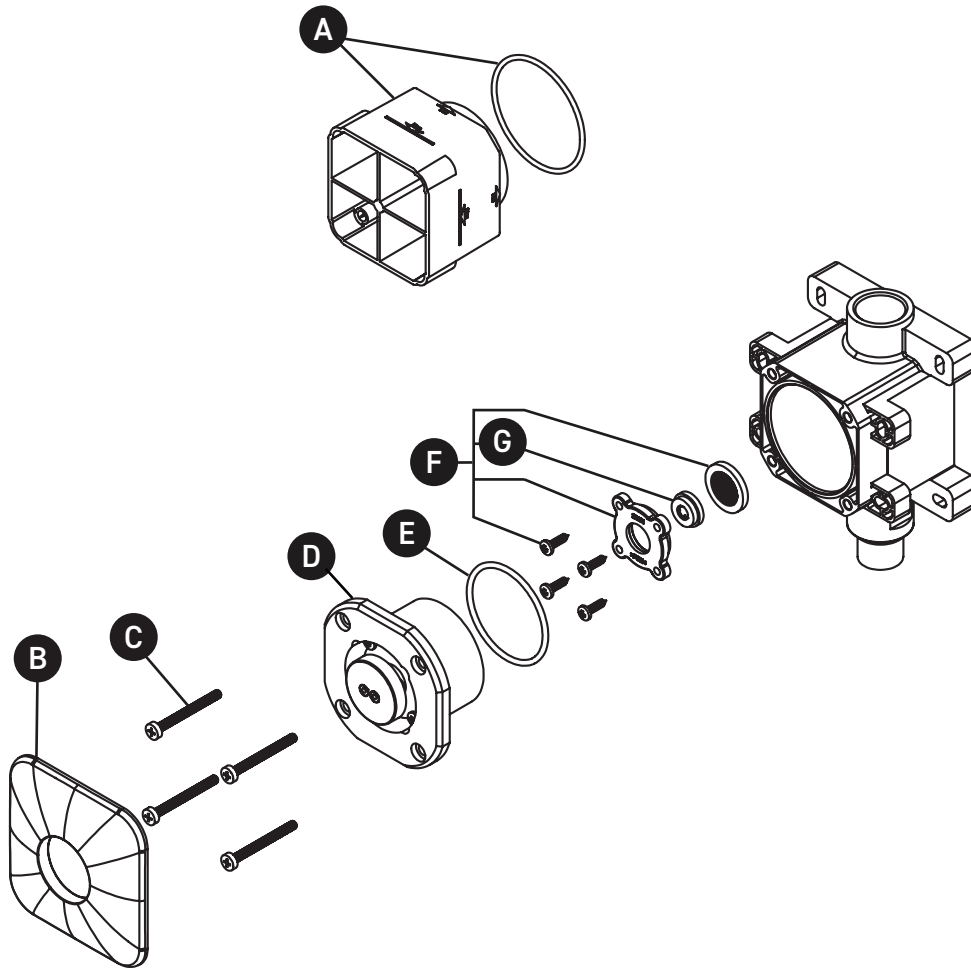
ONTARIO  
houseofrohl.ca/support  
1-800-287-5354

VEUILLEZ EFFECTUER VOTRE COMMANDE  
PAR NO DE RÉFÉRENCE

## ILLUSTRATIONS DES PIÈCES

**399**

Jet de corps Spin encastré



| ID | Référence du kit | Finition        |
|----|------------------|-----------------|
| A  | 7539             | N/A             |
| B* | 024-190          | Voir ci-dessous |
| C  | 392-274 (4x)     | N/A             |
| D* | 4552             | Voir ci-dessous |
| E  | 226-457          | N/A             |
| F  | 4592             | N/A             |
| G  | 6570             | N/A             |

**\*Finition déterminée par le Suffixe**

| Finition | Description |
|----------|-------------|
| C        | Chrome      |

For warranty or additional information, contact:

U.S.A.  
houseofrohl.com/support  
1-800-777-9762

QUEBEC / MARITIMES / WESTERN CANADA  
QUÉBEC / MARITIMES / OUEST CANADIEN  
QUEBEC / MARITIMOS / CANADA OCCIDENTAL  
houseofrohl.ca/support  
1-866-473-8442

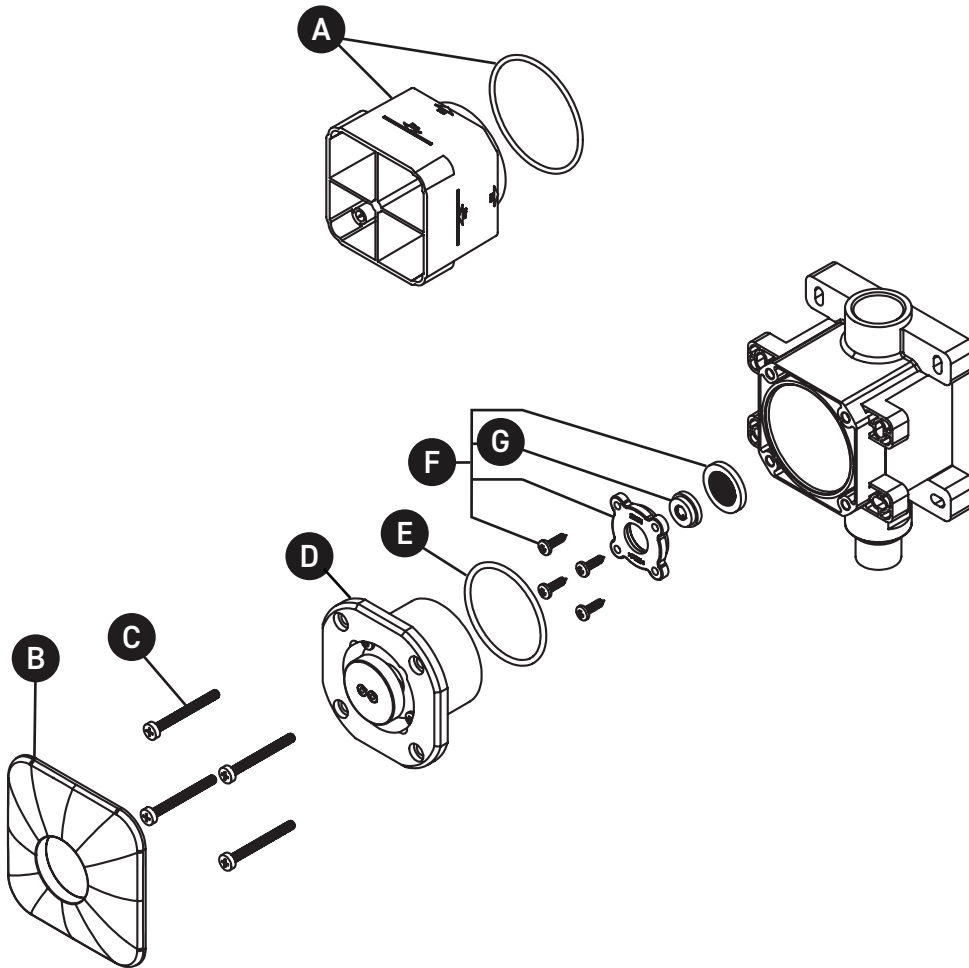
ONTARIO  
houseofrohl.ca/support  
1-800-287-5354

PEDIR POR NÚMERO DE REFERENCIA

## PIEZAS ILUSTRADAS

**399**

Spray corporal de función única



| ID | Referencia del kit | Acabado       |
|----|--------------------|---------------|
| A  | 7539               | N/A           |
| B* | 024-190            | Ver más abajo |
| C  | 392-274 (4x)       | N/A           |
| D* | 4552               | Ver más abajo |
| E  | 226-457            | N/A           |
| F  | 4592               | N/A           |
| G  | 6570               | N/A           |

**\*Acabado determinado por el sufijo**

| Acabado | Descripción |
|---------|-------------|
| C       | Cromo       |

For warranty or additional information, contact:

U.S.A.  
houseofrohl.com/support  
1-800-777-9762

QUEBEC / MARITIMES / WESTERN CANADA  
QUÉBEC / MARITIMES / OUEST CANADIEN  
QUEBEC / MARITIMOS / CANADA OCCIDENTAL  
houseofrohl.ca/support  
1-866-473-8442

ONTARIO  
houseofrohl.ca/support  
1-800-287-5354