

Arm Chair

IMPORTANT

Carefully remove all the parts from the carton and place them individually on a soft cloth to prevent scratches or other damage.

Carefully and strictly follow these assembly instructions to ensure a completed product as designed.

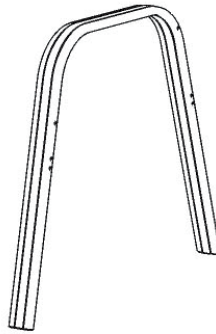
This product is made of aluminum. Do not use power tools above 8 volts to assemble and only tighten bolts until snug. Over tightening can damage the aluminum.



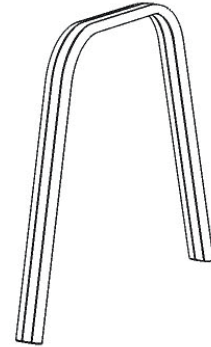
Part List



A.
Seat
1 pc.



B.
Frame
1 pc.



C.
Frame
1 pc.



D.
Front Stretcher
1 pc.

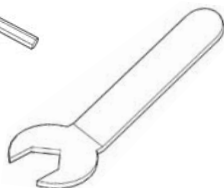


E.
Back Stretcher
1 pc.

Hardware List



Hex Wrench
1 pc.



Wrench
1 pc.



M6x18
Head Cap Bolt
8 pcs. (+1 extra)



M6x40
Bolt
4 pcs. (+1 extra)



Flat Washer
4 pcs. (+1 extra)



Spring Washer
12 pcs. (+1 extra)



Cap
18 pcs. (+1 extra)

Assembly Instructions 2/3

IMPORTANT

- Use a soft cloth between these parts and the floor.
- Do not use power tools above 8 volts to assemble.
- Do not tighten all the bolts until each part is properly assembled.
- Keep Hex Wrench and Wrench as the bolts may need to be tightened in the future.

STEP 1

Attach Front Stretcher (D) and Back Stretcher (E) to Frame (B) with Spring Washers and Head Cap Bolts, tightening bolts only halfway. (See Figure 1)

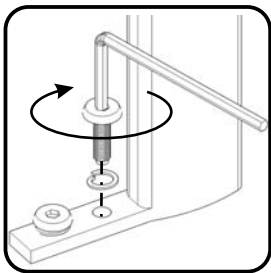


Figure 1

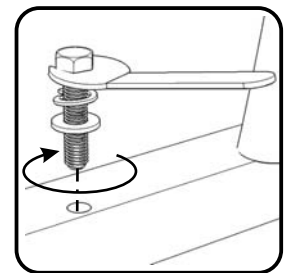
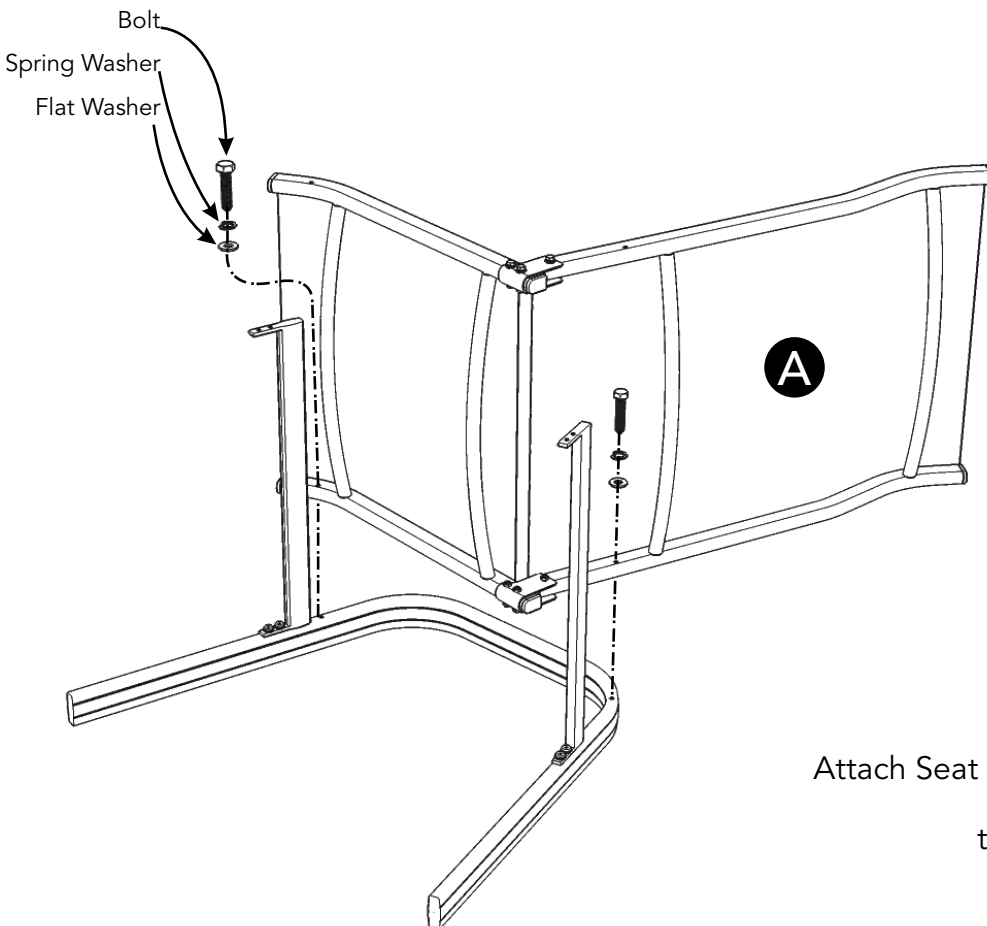
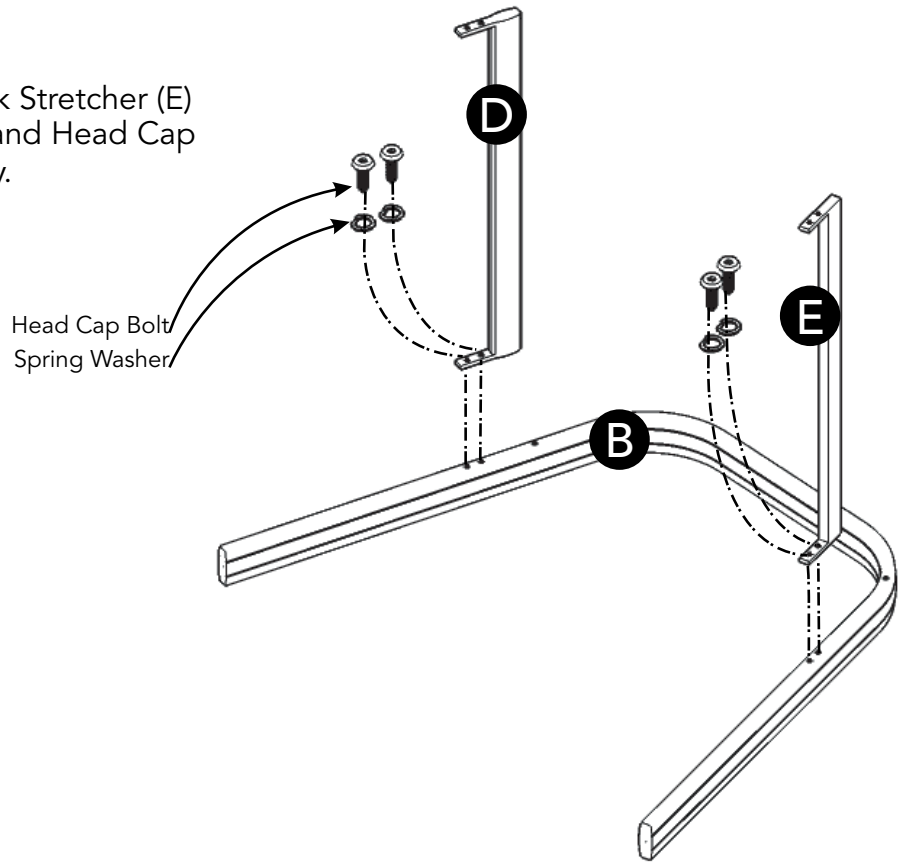


Figure 2

STEP 2

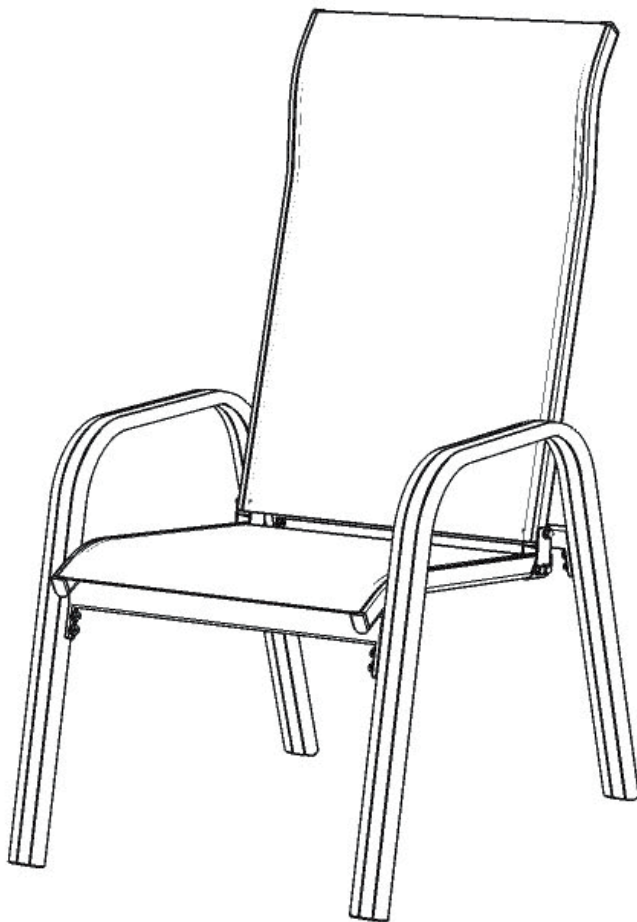
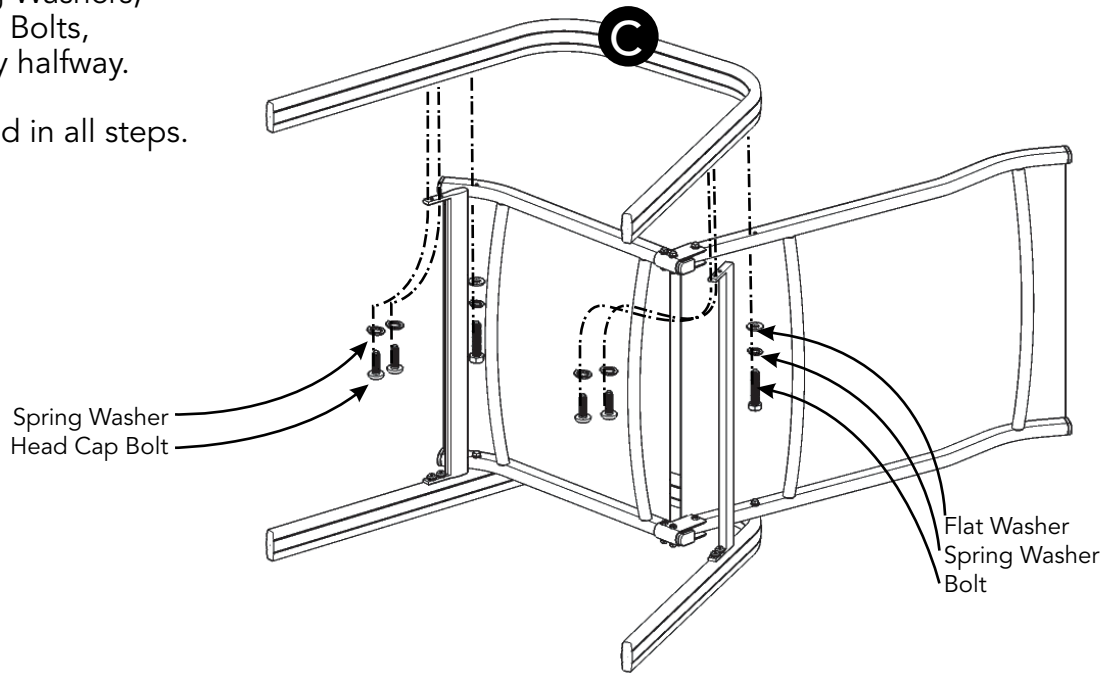
Attach Seat (A) to unit with Flat Washers, Spring Washers and Bolts, tightening bolts only halfway. (See Figure 2)

Assembly Instructions 3/3

STEP 3

Attach Frame (C) to unit with Flat Washers, Spring Washers, Head Cap Bolts and Bolts, tightening bolts only halfway.

Tighten all bolts used in all steps.



STEP 4

Turn unit to its' upright position.

Cover all bolts with Caps.
(See Figure 3)

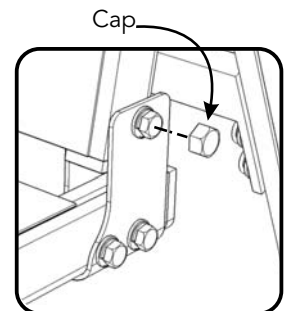


Figure 3

CARE INSTRUCTIONS

NEVER

allow liquids to remain on furniture.
Absorption causes parts to warp
and split and finishes to delaminate.

NEVER

use glass cleaners on
finished furniture. Ammonia
chemically attacks the finish.



Do not use power tools
above 8 volts to assemble.

**PREVENT
CRACKING**



Do not place
in direct sunlight.

**PREVENT
FADING**



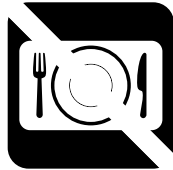
Do not write
directly on surface.

**PREVENT
MARKING**



Do not place hot
objects on surface.

**PREVENT
FINISH DAMAGE**



Do not use rubber
based placemats.

**PREVENT
DISCOLORING**



Do not use commercial
waxes and polishes.

**PREVENT
YELLOWING**

CLEAN

with a soft cloth moistened
in lukewarm soap and water.
Buff with a dry clean cloth.



Home Styles will provide replacements free of charge for missing or damaged hardware or parts within 30 days of purchase. Digital images of the defective parts may be required. If the product was not purchased from an authorized retail affiliate, Home Styles is under no obligation to provide replacement parts. Parts are not available for fully assembled items nor are parts available for sale. Replacements for missing or damaged hardware or parts may be requested at:

www.homestyles-furniture.com/customer-service/replacement-parts

Home Styles Customer Service: www.homestyles-furniture.com,
servicedesk@homestyles-furniture.com, 888-680-7460, 877-831-0319