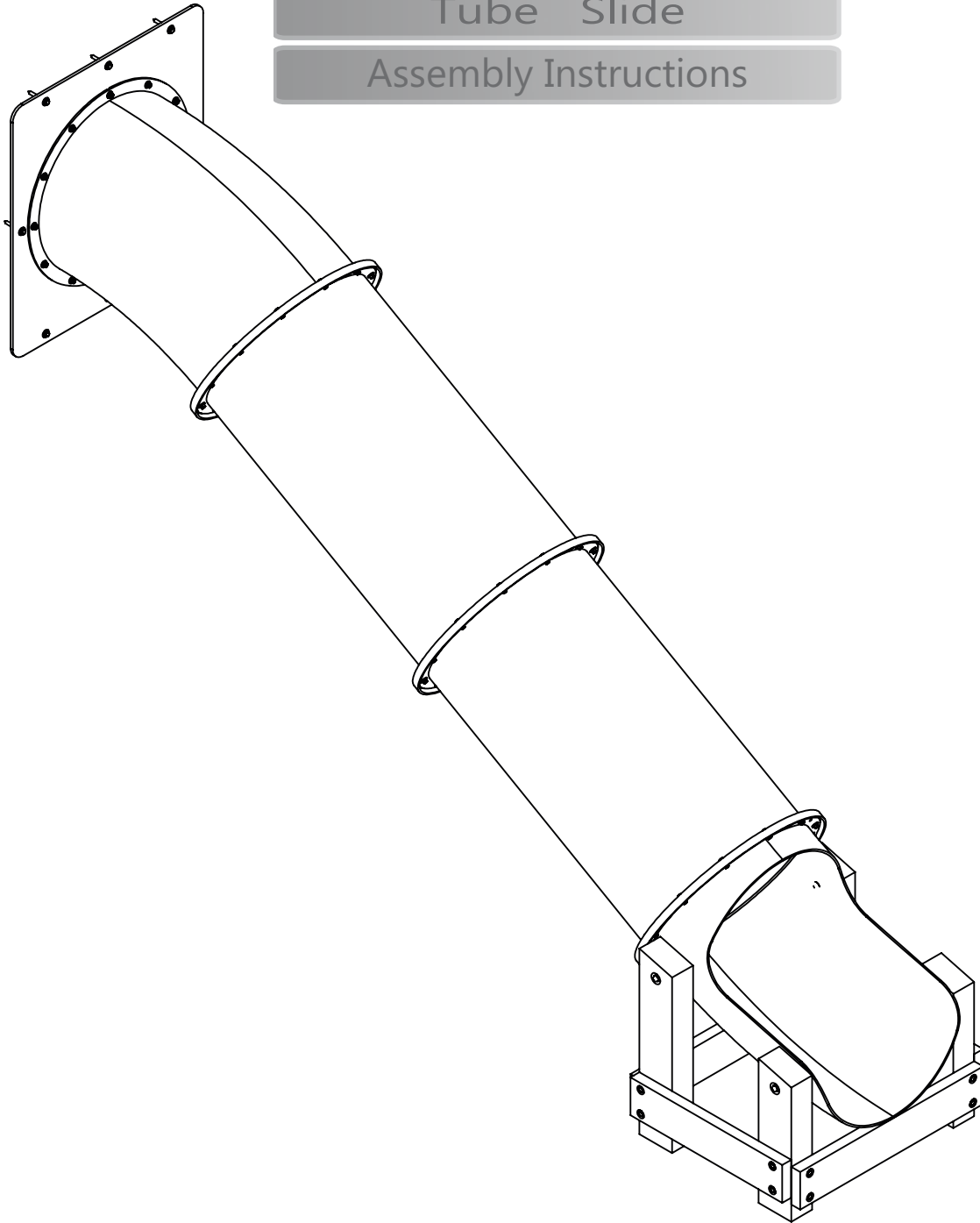


# WOODPLAY<sup>®</sup>

## Playsets

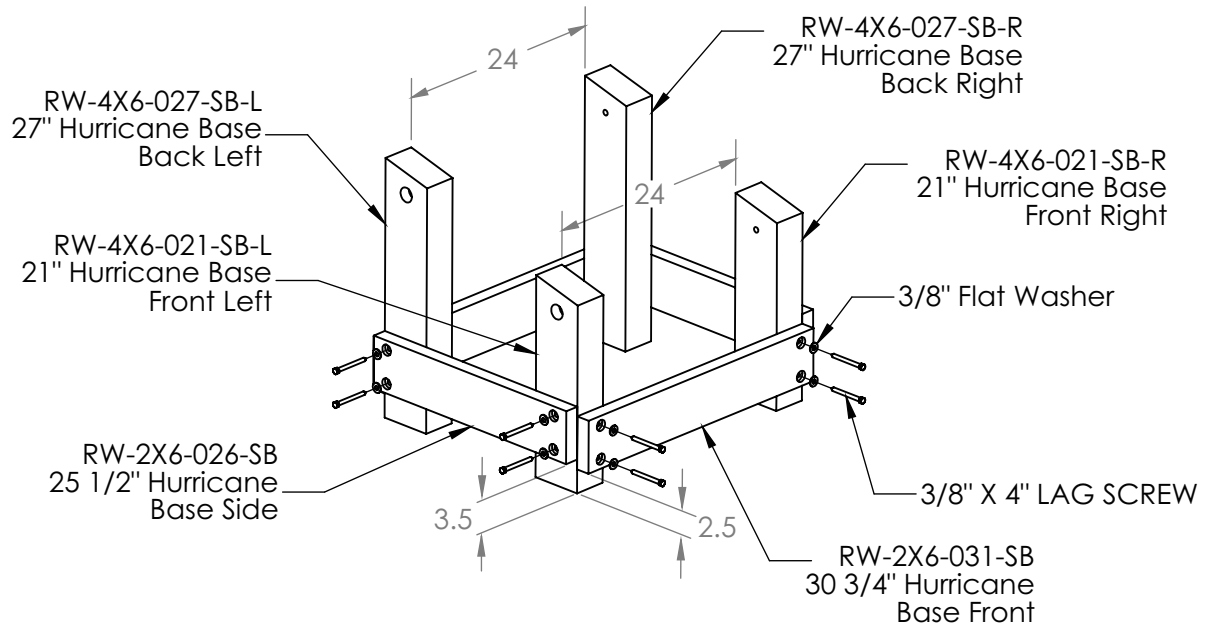
Tube Slide

Assembly Instructions



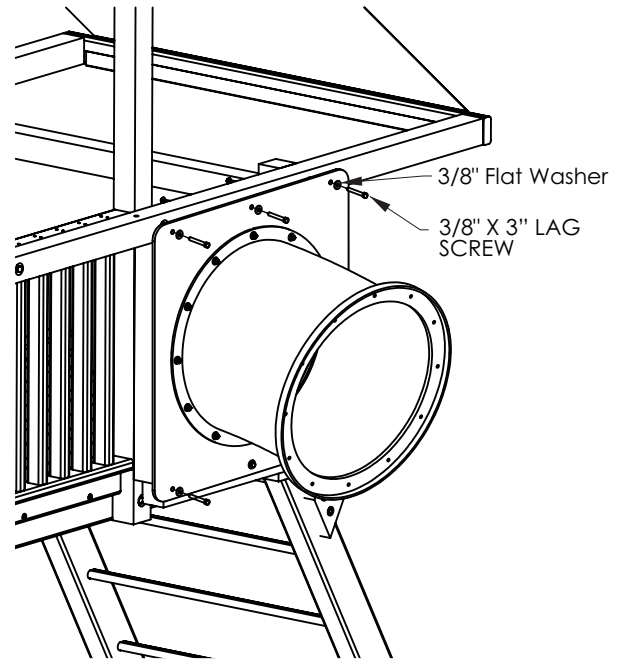
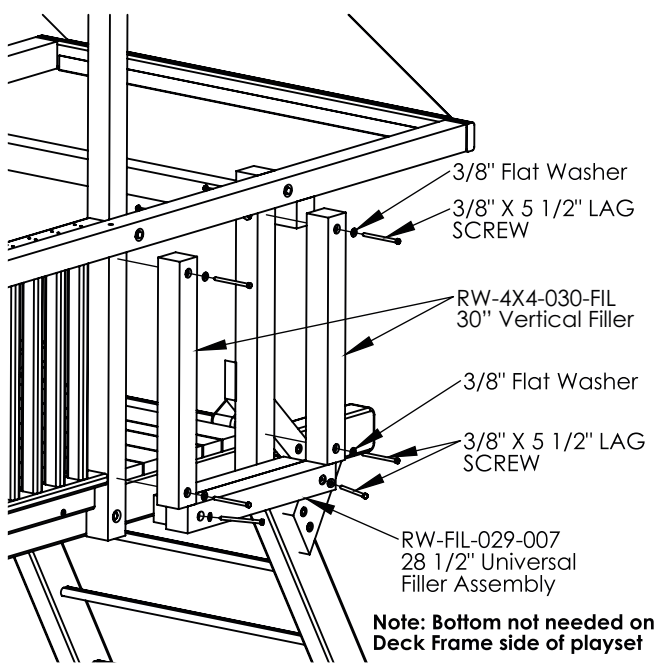
PA-MAN-STUB-00

1. Build Hurricane Base as shown below.



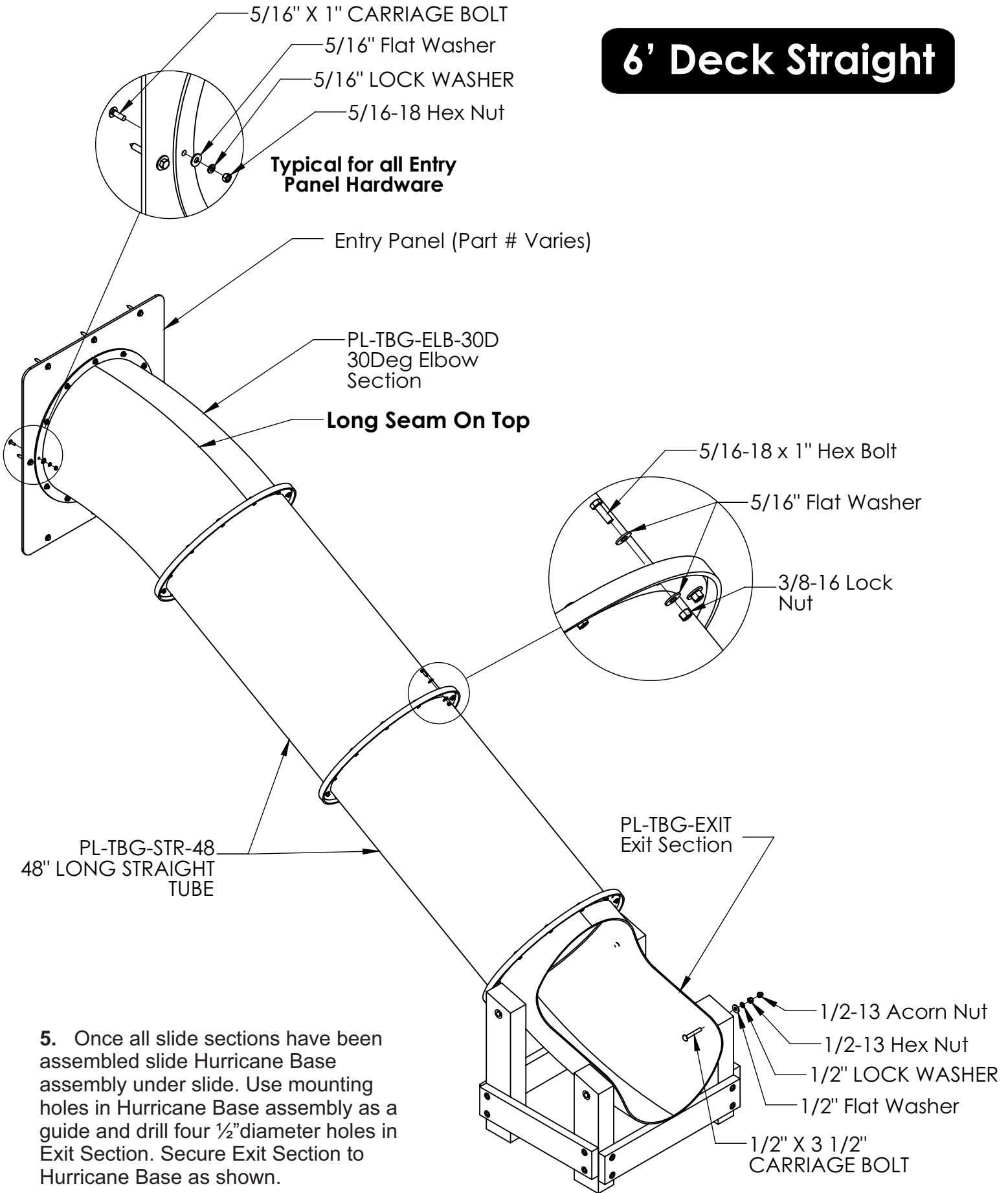
2. Locate the assembly page for your application and attach 10 Degree Elbow to Entry Panel as shown on that page.

3. Locate your application below and prepare the opening as shown. Attach assembly from Step 2 as shown. If installing Hurricane Slide out of a Skybox see Skybox instructions.



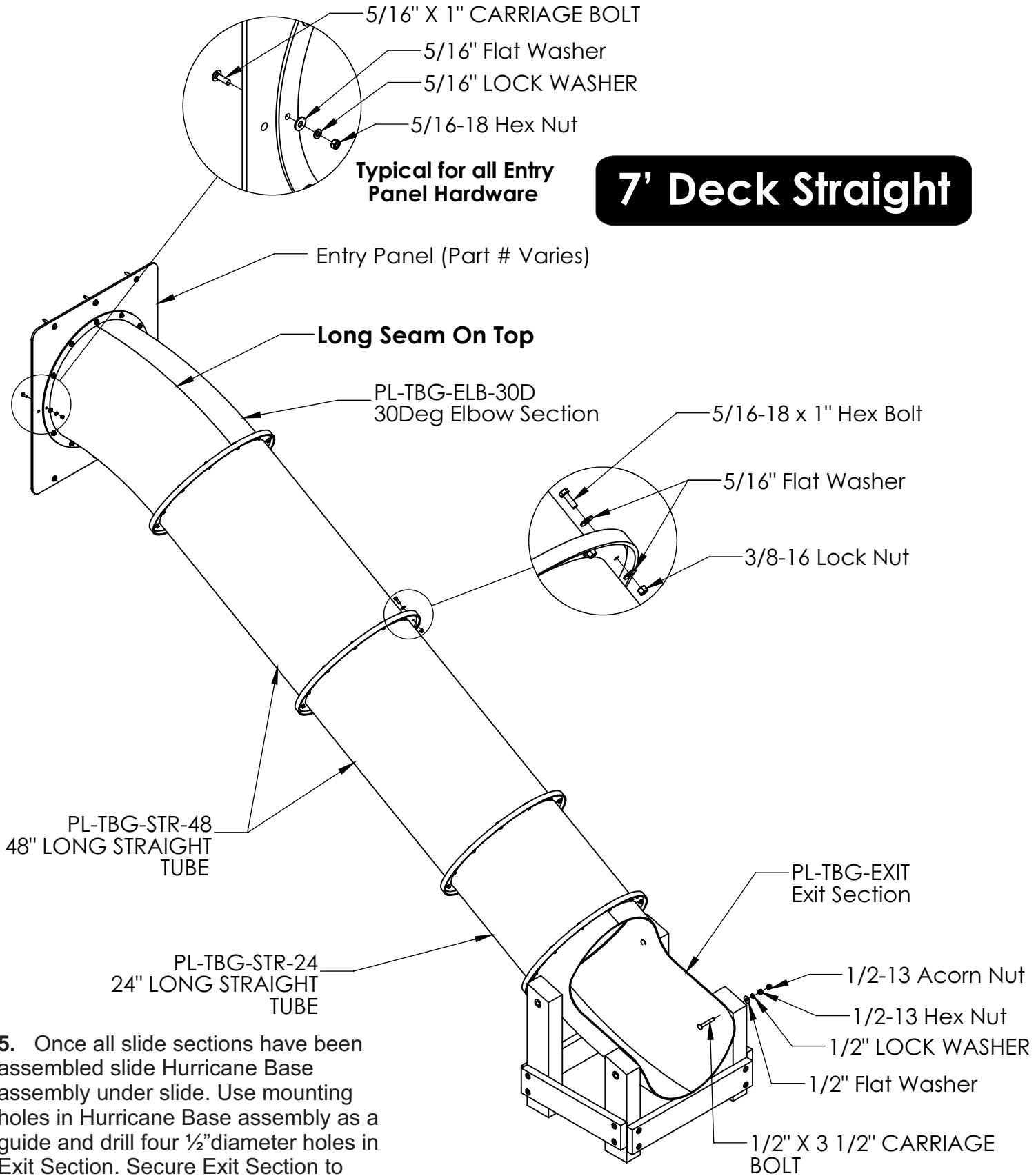
4. Assemble remaining slide sections as shown on the assembly page for your application.

# 6' Deck Straight



5. Once all slide sections have been assembled slide Hurricane Base assembly under slide. Use mounting holes in Hurricane Base assembly as a guide and drill four 1/2" diameter holes in Exit Section. Secure Exit Section to Hurricane Base as shown.

# 7' Deck Straight



- 5/16" X 1" CARRIAGE BOLT
  - 5/16" Flat Washer
  - 5/16" LOCK WASHER
  - 5/16-18 Hex Nut
- Typical for all Entry Panel Hardware**

Entry Panel (Part # Varies)

**Long Seam On Top**

PL-TBG-ELB-30D  
30Deg Elbow Section

5/16-18 x 1" Hex Bolt

5/16" Flat Washer

3/8-16 Lock Nut

PL-TBG-STR-48  
48" LONG STRAIGHT  
TUBE

PL-TBG-STR-24  
24" LONG STRAIGHT  
TUBE

PL-TBG-EXIT  
Exit Section

1/2-13 Acorn Nut

1/2-13 Hex Nut

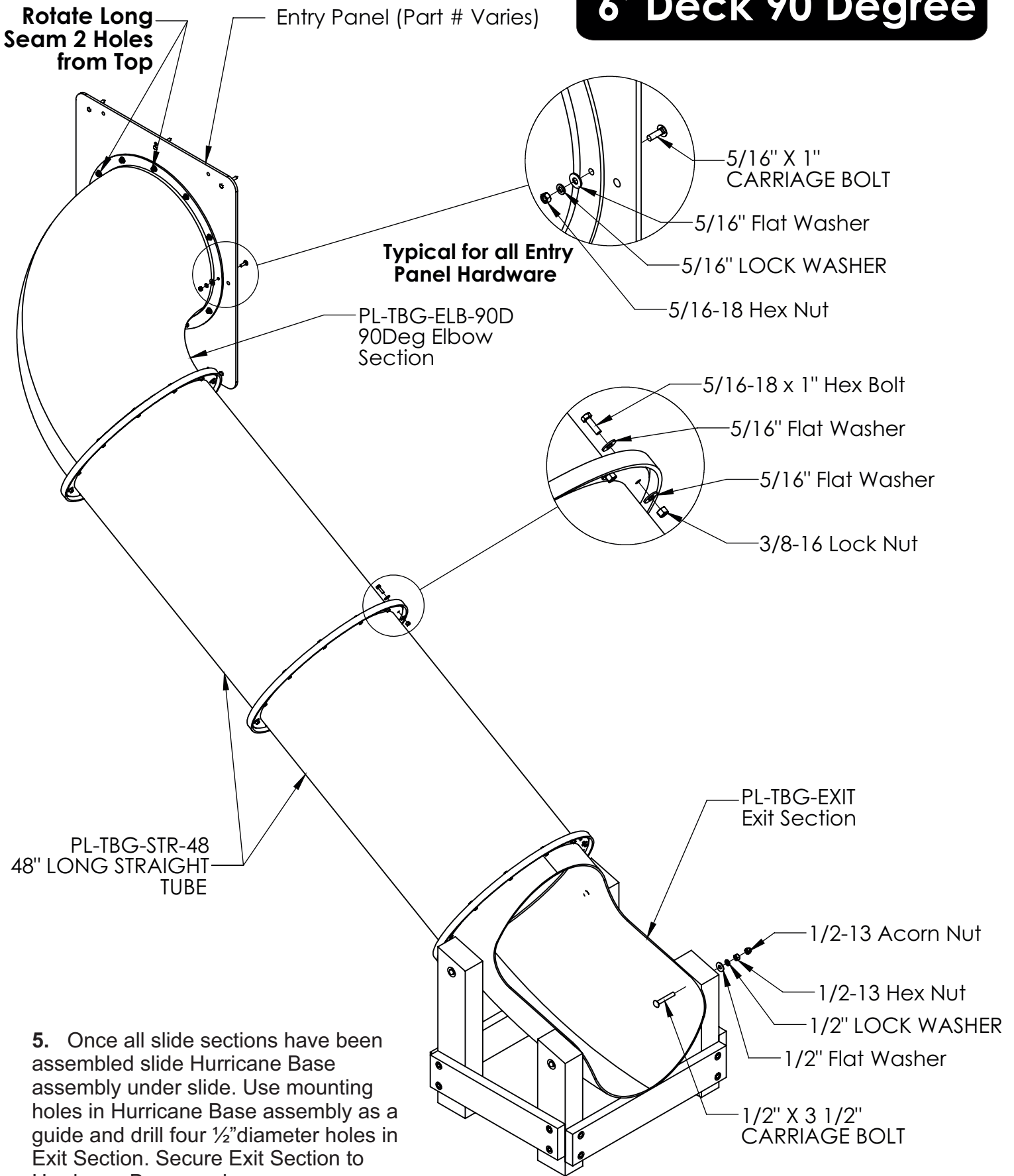
1/2" LOCK WASHER

1/2" Flat Washer

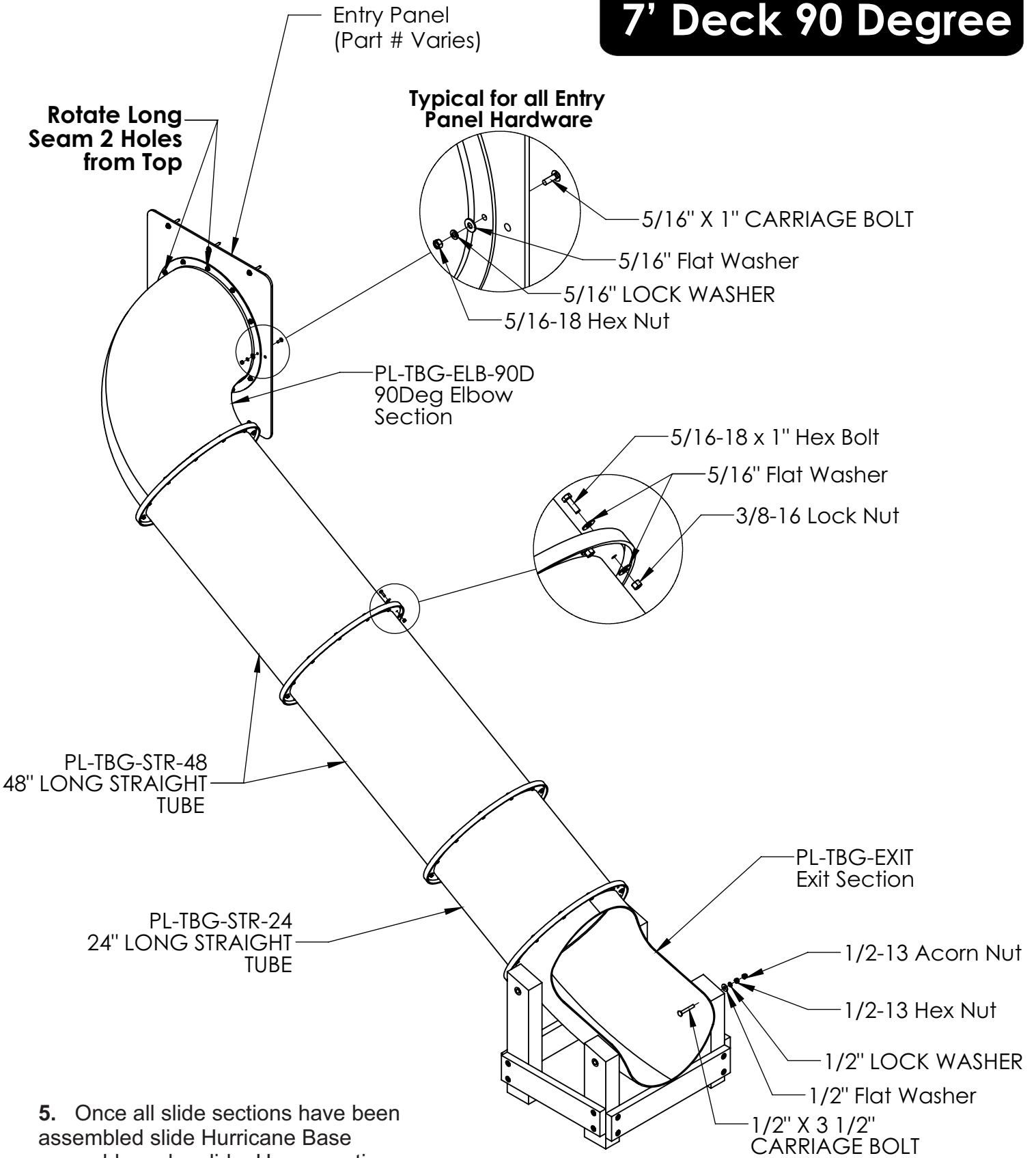
1/2" X 3 1/2" CARRIAGE  
BOLT

5. Once all slide sections have been assembled slide Hurricane Base assembly under slide. Use mounting holes in Hurricane Base assembly as a guide and drill four 1/2" diameter holes in Exit Section. Secure Exit Section to Hurricane Base as shown.

# 6' Deck 90 Degree



# 7' Deck 90 Degree



5. Once all slide sections have been assembled slide Hurricane Base assembly under slide. Use mounting holes in Hurricane Base assembly as a guide and drill four 1/2" diameter holes in Exit Section. Secure Exit Section to Hurricane Base as shown.

# WOODPLAY®

## 2016 WARRANTY

### 5 Year Warranty

Subject to proper installation and normal residential use, Woodplay warrants, subject to the limitations stated below, to the original retail purchaser, all chain, seats, swing hangers, hardware, metal braces, ropes and accessories to be free from defects in material and workmanship for a period of **five years** from date of purchase. Cracks in non-functional plastic components are not considered defects in materials and workmanship if they do not affect the functionality of the playset. Merchandise covered under this limited **five-year** warranty will, at our option, be repaired or replaced, excluding any freight or labor fees.

### 15 Year warranty

In addition, for **Fifteen years** after the original purchase date of our **Cedar** playsets, Woodplay warrants, to the original retail purchaser, all wooden components against structural failure due to corrosion, wood rot, or insect infestation. Seasonal checks, surface cracks, knotholes and knots, natural characteristics of all wooden play equipment, not resulting in structural failure, are not covered under this warranty. And will not affect the integrity of your playset.

### Limited Lifetime Warranty

In addition, for the **lifetime** of our **Redwood** playsets, Woodplay warrants, to the original retail purchaser, all wooden components against structural failure due to corrosion, wood rot, or insect infestation. Seasonal checks, surface cracks, knotholes and knots, natural characteristics of all wooden play equipment, not resulting in structural failure, are not covered under this warranty. And will not affect the integrity of your playset. Woodplay warrants to the original retail customer that we will replace any swing hangers, swing chains, metal braces, metal rungs or hardware that fail due to rust or breakage (excludes surface rust). This limited lifetime warranty also applies to our exclusive Super Slide, Hurricane Slide and Alpine Slide.

Timber is a natural material which can absorb and release moisture. Although this product is designed to minimize this effect, in certain circumstances some movement or distortion is unavoidable. During dry hot weather timber may shrink and check - this is a normal process of weathering. After the first year of service it is advisable to clean and apply a non-toxic stain or sealant to the wood, safe for children's use.

Components covered under this **5 year, 15 year** and limited **lifetime warranty** will be replaced free of charge excluding freight and labor fees.

Non-residential use of the playset is prohibited and voids the warranty as the playsets are designed for residential use only.

Escalade Sports reserves the right to examine photographs and/or physical evidence of merchandise claimed to be defective, and to recover said merchandise, prior to disposition of warranty claims. Merchandise returned to our factory for examination or recovery must be shipped freight prepaid, unless a Return Authorization Number is issued.

This warranty program does not cover normal wear and tear, color fading, or damages resulting from misuse, abuse, vandalism, alteration, acts of God, or assembly and maintenance contrary to our instructions. Escalade Sports assumes no responsibility for incidental or consequential damages which may arise from the purchase or use of our equipment. Please supervise your children's play activity and maintain your play equipment periodically.

This warranty is expressly in lieu of all other warranties, expressed or implied, including warranties of merchantability or fitness for use. Woodplay does not assume or authorize any person to assume for us, any other liability in connection with the sale of our products.

Special Note: Woodplay reserves the right to make changes in materials, design, and pricing without notice. See your instruction manual for maintenance requirements. Your child's safety is your responsibility; therefore, you should inspect this equipment regularly for wear and safety.

### **For warranty service, contact:**

**Woodplay Playsets  
Escalade Sports  
P.O. Box 889  
Evansville, IN 47706  
1-800-GO-SWING**

**Or E-Mail us at: [playgroundcs@escaladesports.com](mailto:playgroundcs@escaladesports.com)**

**Revised 2015**