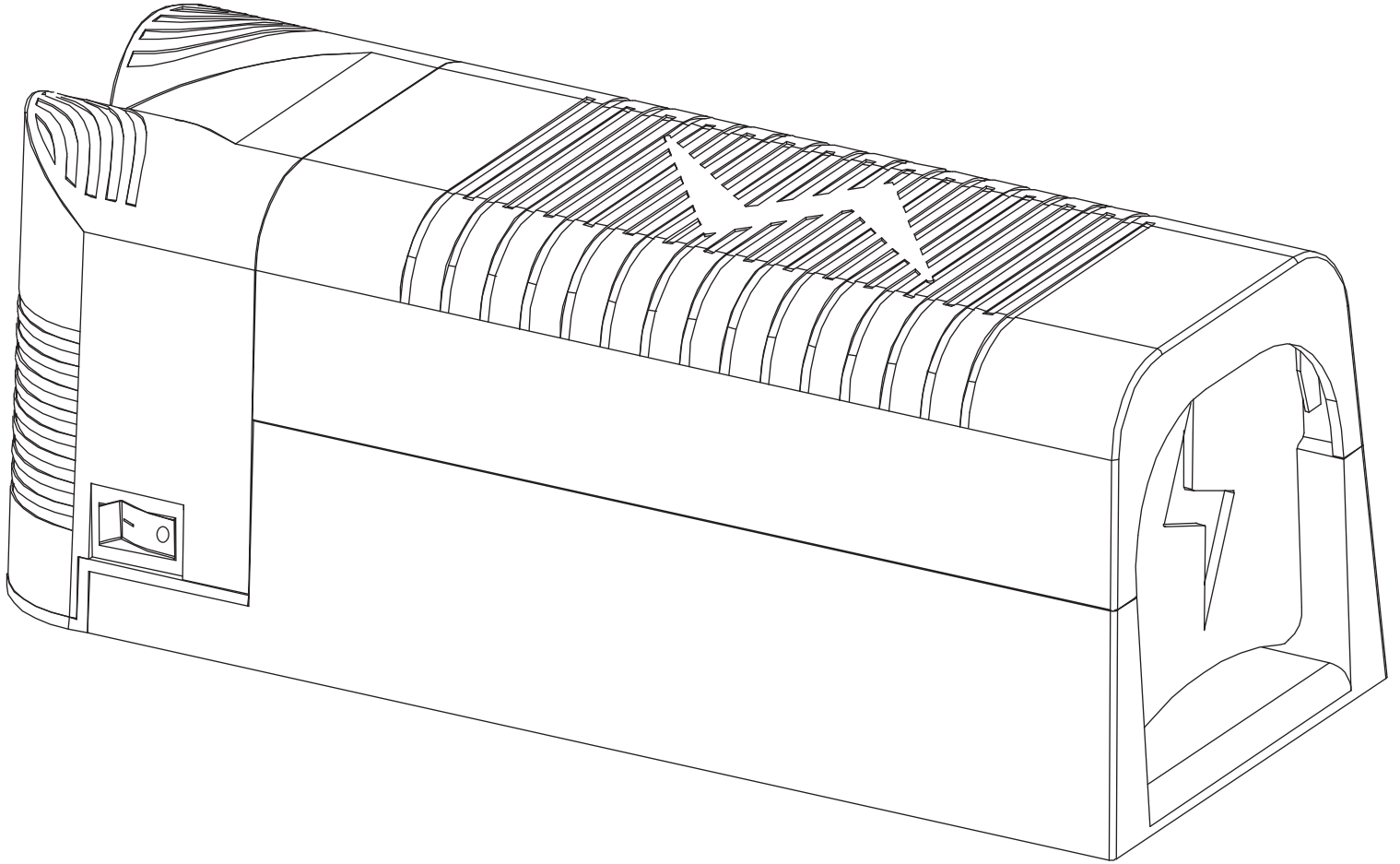




NO-TOUCH ELECTRIC MOUSE TRAP XPT-0251

Review all information before using this product. Save this manual for future reference.




 Inspect packaging to ensure all parts are accounted for before disposing of packing materials.  Save the packing slip.

PACKAGE CONTENTS	QTY.
Mouse Trap w/ Rechargeable Battery	1
USB Charging Cable	1
Light Indicator Cable	1



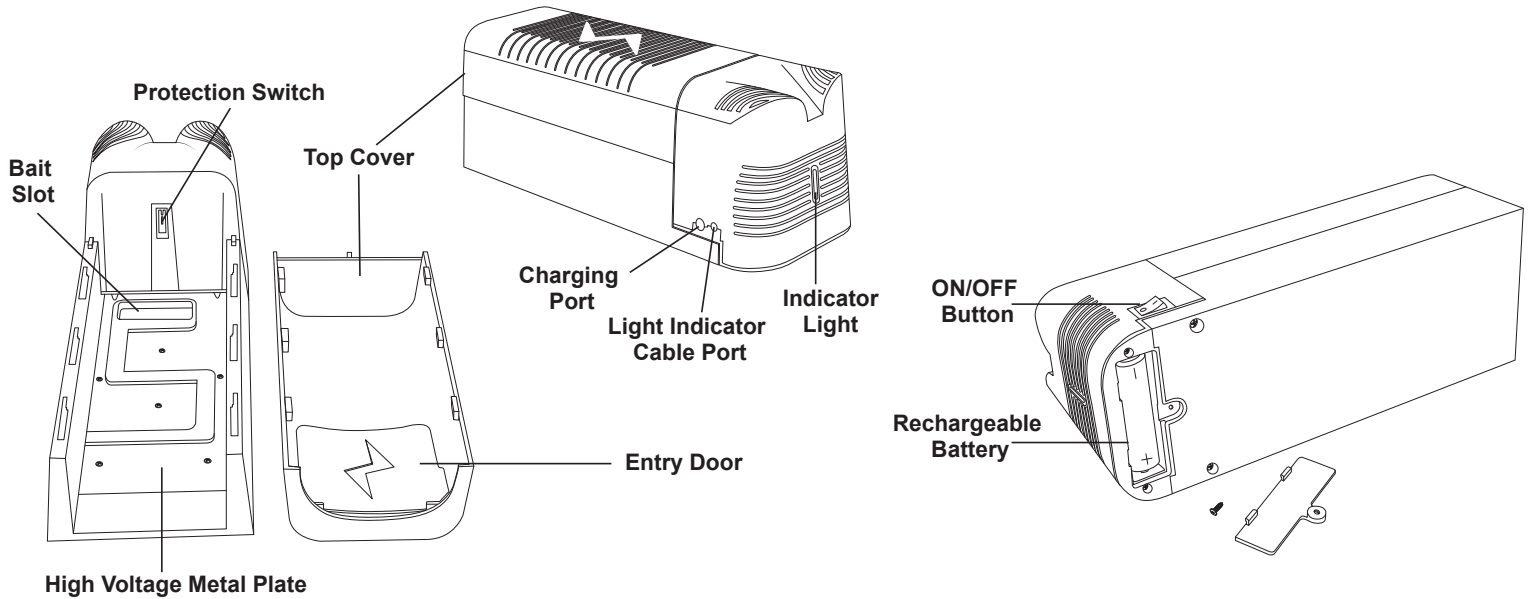
NOTE:
5V/1A USB wall power adapter not included

 **WARNING:** Read and understand this entire manual, including all safety information, before using this product. Failure to do so could result in fire or serious personal injury.

INTRODUCTION

HOW IT WORKS

Electronic mouse traps work by using bait to lure rodents into the chamber. Once the mouse steps on the metal plate inside the chamber, a high voltage shock is sent through the body of the mouse, killing it instantly.



CAUTION: RISK OF ELECTRIC SHOCK

TO PREVENT RISK OF ELECTRIC SHOCK OR FIRE, DO NOT EXPOSE THIS APPLIANCE TO RAIN OR MOISTURE. DO NOT OPEN, NO USER SERVICEABLE PARTS.

Working Current / Static Work Current	$\leq 380\text{mA} / \leq 0.33\text{mA}$
Working Voltage	2200-2500V
Charging Voltage/Current	5V/700mA
Power Consumption	3W
Battery	3.7V 1800mAh 18650
Charging Time	5-6H

ACCESSING THE BATTERY

1. Ensure the power button is switched OFF.
2. Use a Phillips screwdriver to remove the screw in the battery cover.
3. Remove the battery cover and carefully remove the rechargeable battery.
4. Paying attention to the positive and negative terminals, gently insert a new compatible rechargeable battery.
5. Reassemble the battery housing.
6. Fully charge the battery before use.

SET-UP

For indoor use only!

Before installation, it is important to ensure the battery is fully charged. Check that the unit is powered OFF and the rechargeable battery is installed correctly.

Plug the USB cable into the charging port on the trap. Then, plug the USB cable into a USB outlet or power strip, the indicator light is green and will turn off when fully charged.

IMPORTANT

Carefully consider trap placement.

The trap must be in a location where rodents are active, but not easily accessible to children and pets.

1. Ensure the power button is switched OFF.
2. Slide the top cover off the kill chamber.
3. Place bait into the bait slot and replace the top cover.
4. Set the device in a location where rodents are active and turn the power switch ON.
NOTE: If using the unit in a location where it will be difficult to see the indicator light, plug the light indicator cable into the trap and place the light in a more visible location.

Always take extreme precautions when using this unit.

Do not rely on the built-in protection switch to prevent accidental shock when adding bait or cleaning, always ensure the unit is powered OFF before handling.

INDICATOR GUIDE

Red light flashing: Standby mode (flash once per 5s)

Red light steady on: High-voltage electric shock in progress (180s)

Blue light flashing: Indicates post-electrocution (flash once per 5s)

Green light steady on: Product is charging, light turns OFF after fully charged

Red and green lights flash alternately: Low power reminder

Buzzer alarm: Post-electrocution reminder (beeps every 30 seconds)

CLEANING

1. Ensure the power button is switched OFF.
2. Slide the top cover off the kill chamber and dispose of deceased rodent(s).
3. If necessary, clean the bait chamber with a damp cloth. **DO NOT submerge the unit in water as doing so will permanently damage the unit, it is unsafe to use after exposure to water.**
4. Reset the unit as indicated in *SET-UP*, above.

WARNING:

Manufacturer and seller expressly disclaim any and all liability from personal injury, property damage or loss, whether direct or indirect, or incidental, resulting from the incorrect attachment, improper use, inadequate maintenance, or neglect of this product.

SAFETY STATEMENTS & WARNINGS

For indoor use ONLY, suitable for warehouse, factory, office, hotel, parking lot, etc. Do not use outdoors. To prevent accidental electric shock, avoid touching the metal plate and the bottom of the machine. Do not use trap in locations where children or pets can reach it. After a mouse is shocked, wait until the blue light flashes and the buzzer prompts. Then, turn the unit OFF before opening the cover. The trap can shock up to 30 times with a fully charged battery. If the trap is used in a location where the indicator light is difficult to see, plug the light indicator cable into the unit and place it where it can easily be seen. Do not disassemble, repair or alter this unit in any way. Do not drop, as doing so can permanently damage internal components. Never use chemicals or abrasive materials to clean the unit. Turn the unit off before storing it.



This product contains electrical components and a rechargeable battery. When the unit can no longer be used, all components should be recycled in accordance with local laws and regulations. Do not dispose of this product with other household waste.

Any modification to the product or failure to follow recommended care will void the product warranty.

If you experience issues with operation or the product was damaged during shipping, please contact our customer service team through one of the methods mentioned at the top of page 1. Please have the item number and order information ready to expedite response time.

WARNING:

Manufacturer and seller expressly disclaim any and all liability from personal injury, property damage or loss, whether direct or indirect, or incidental, resulting from the incorrect attachment, improper use, inadequate maintenance, or neglect of this product.