

**AXOR Starck**  
**Rough, Freestanding Tub Filler**  
 Finishes : n.a. Part no. : 10452181



## Description

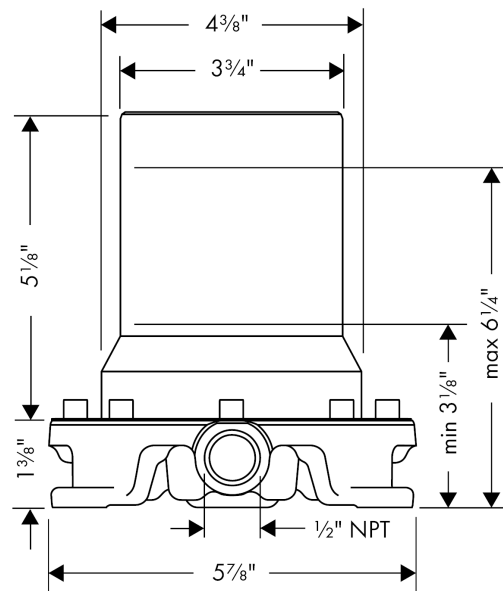
### Features

- 1/2" NPT

## Product image



## Scale drawing

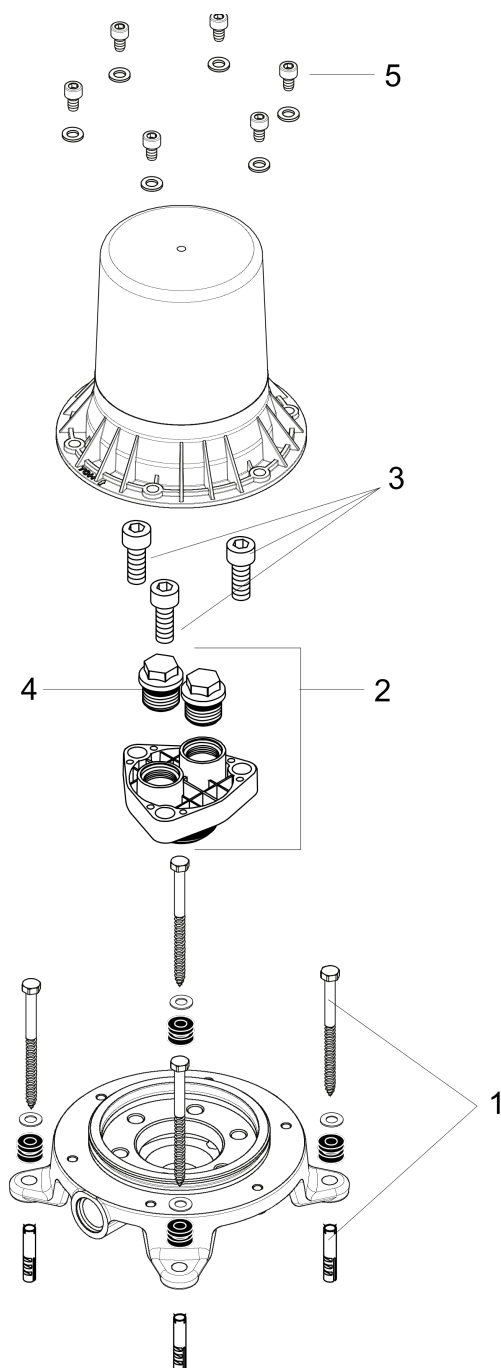


**AXOR Starck**  
**Rough, Freestanding Tub Filler**  
Finishes : n.a. Part no. : 10452181



## Exploded drawing

Year of production: >12/08



**AXOR Starck**  
**Rough, Freestanding Tub Filler**  
 Finishes : n.a. Part no. : **10452181**



## Spare parts list

Year of production: >12/08

Pos.	Description	Part no.	PC	PU
1	mounting kit	96260000	0	1
2	sealing set	96459000	0	1
3	hexagon socket screw M10x35	97670000	0	1
4	O-ring 15x2,5	98131000	0	1
5	hexagon socket screw M6x10	92847000	0	1