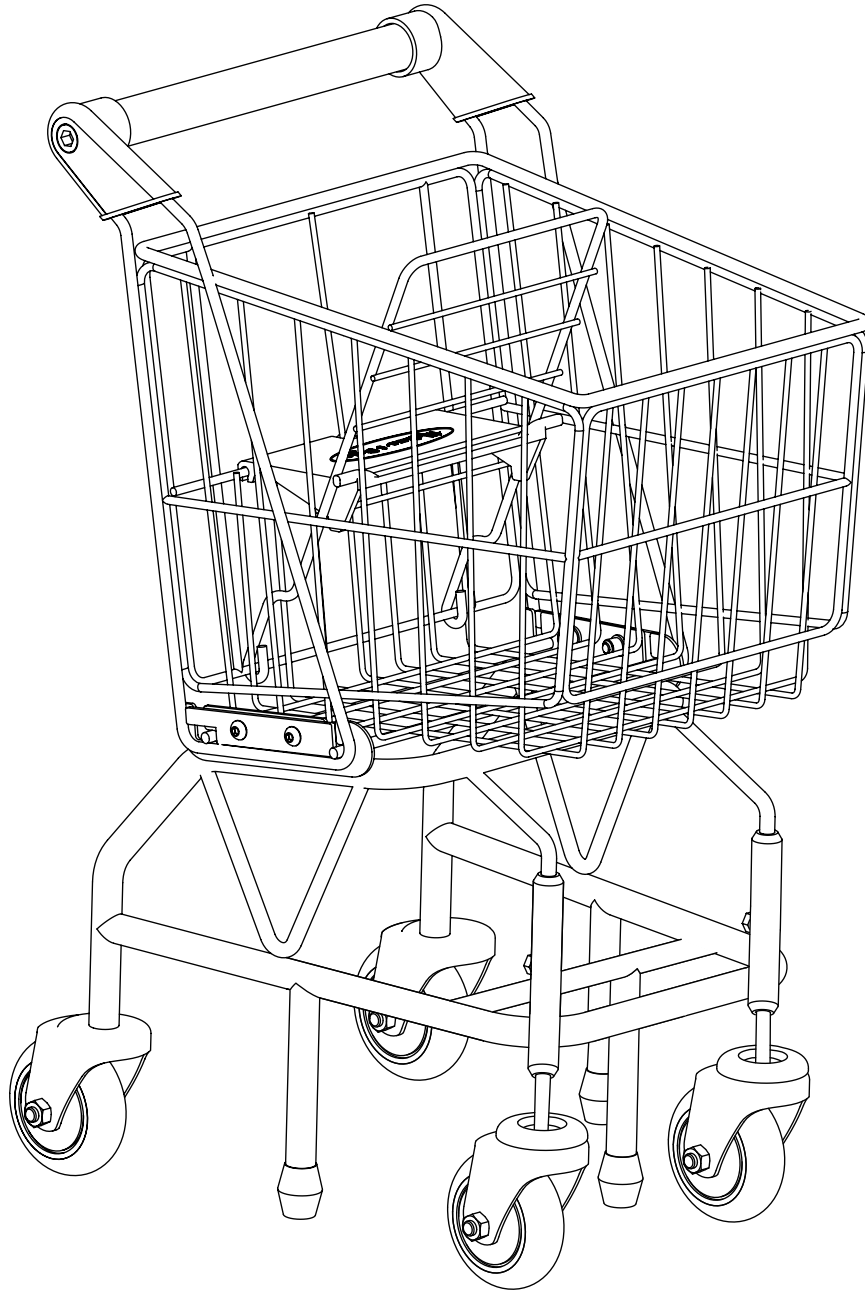




GROCERY CART

ASSEMBLY INSTRUCTIONS



We care about your comments. Please call us!

Melissa & Doug
1-800-284-3948
www.MelissaAndDoug.com

Melissa & Doug products meet or exceed all U.S. toy testing standards and pass our high quality requirements.

© Melissa & Doug, LLC, P.O. Box 590, Westport, CT 06881

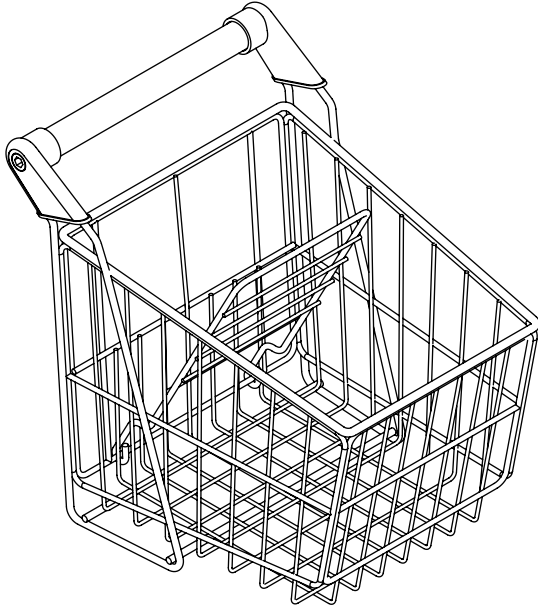
 **WARNING:**
CHOKING HAZARD - Small Parts.
Not for children under 3 years.

 **WARNING:**
Adult assembly required.

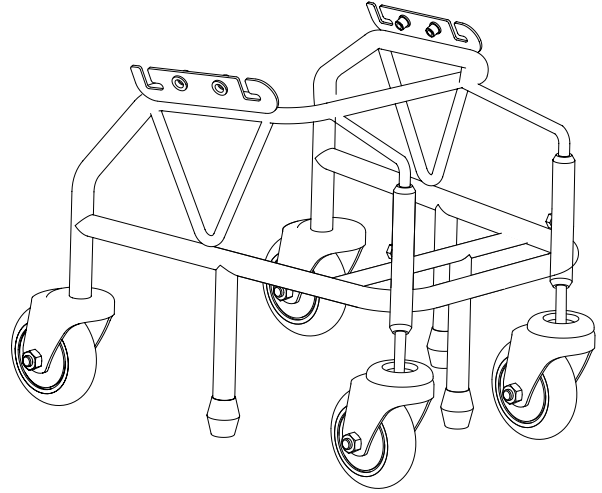
ITEM #4071
HX

GROCERY CART

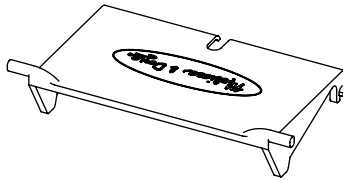
PARTS



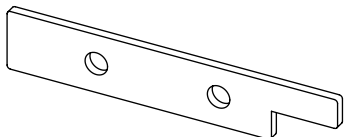
BASKET - 1 piece



BASE - 1 piece



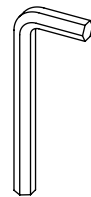
SEAT - 1 piece



Locking Plate - 2 pieces



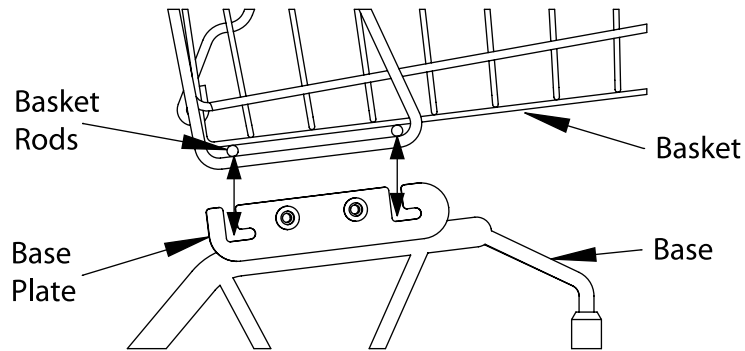
SCREWS - 4 pieces



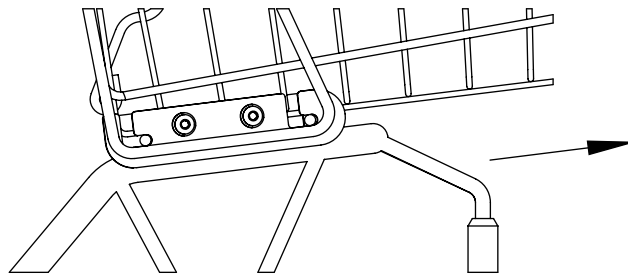
Hex key - 1 piece

GROCERY CART

STEP 1



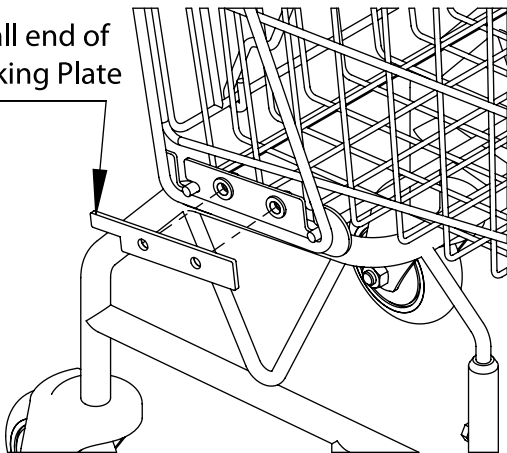
Fit the basket to the base as shown here by aligning the Basket Rods to slip into the slots in the Base Plates. Make sure that both sides of the basket are in the slots.



Slide the basket forward so the rods are at the front of the "L" shaped slot in the plate.

STEP 2

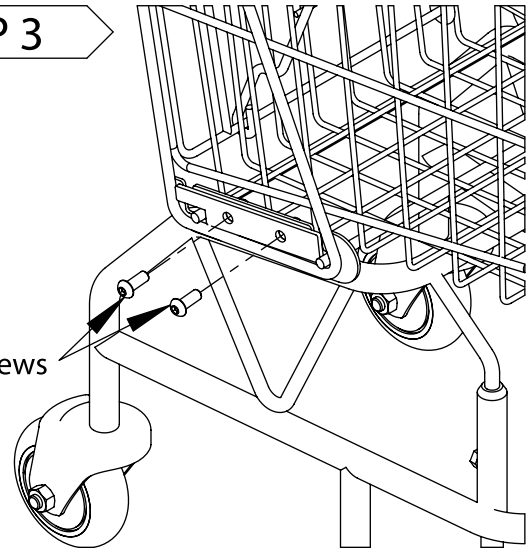
Small end of Locking Plate



Fit a Locking Plate as shown here making sure the small end is toward the rear of the cart.

STEP 3

Screws



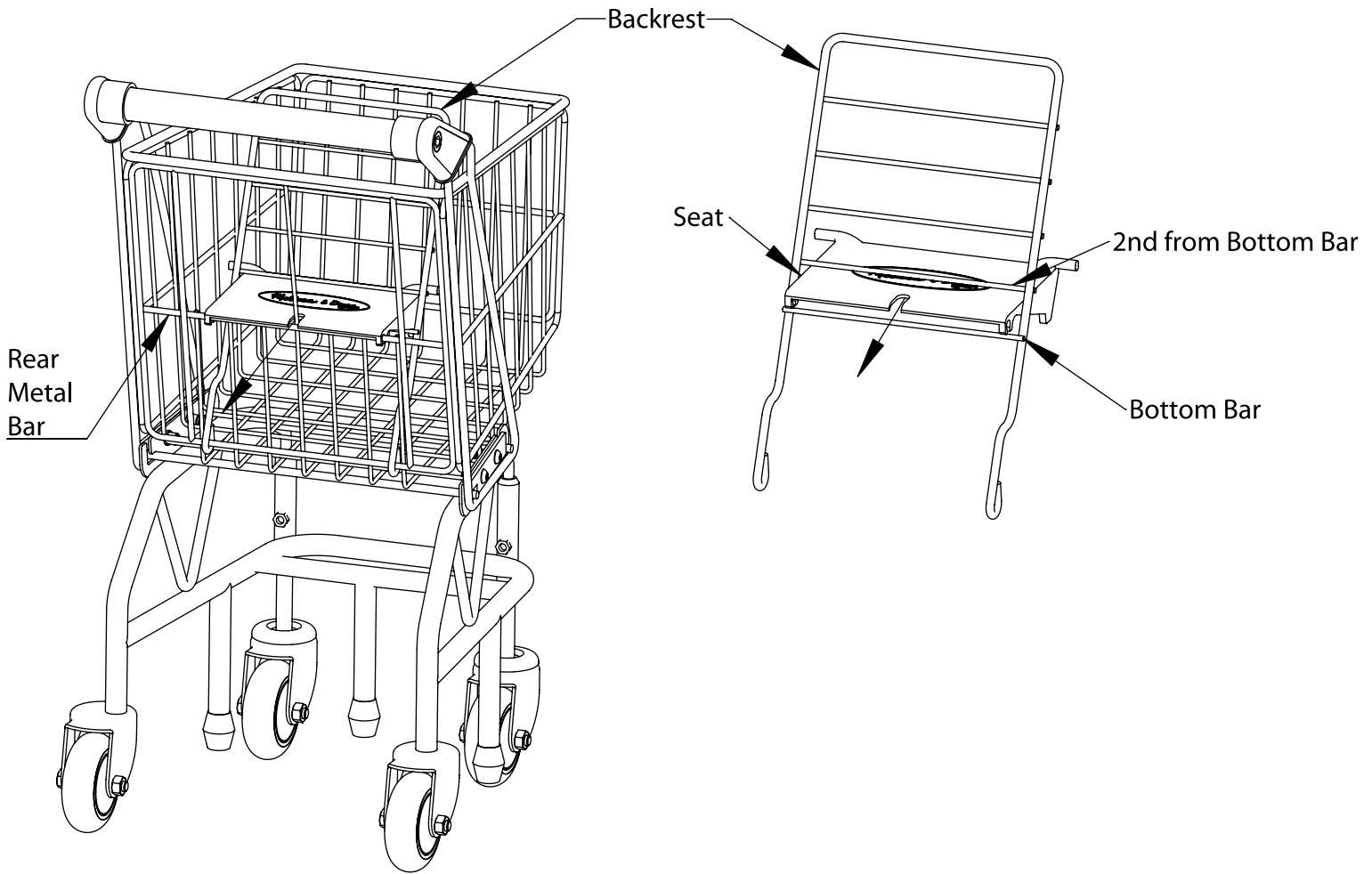
Attach the Locking Plate with two Screws as shown and tighten completely with the Hex key.

Do the same on the opposite side of the cart with another Locking Plate and two Screws.

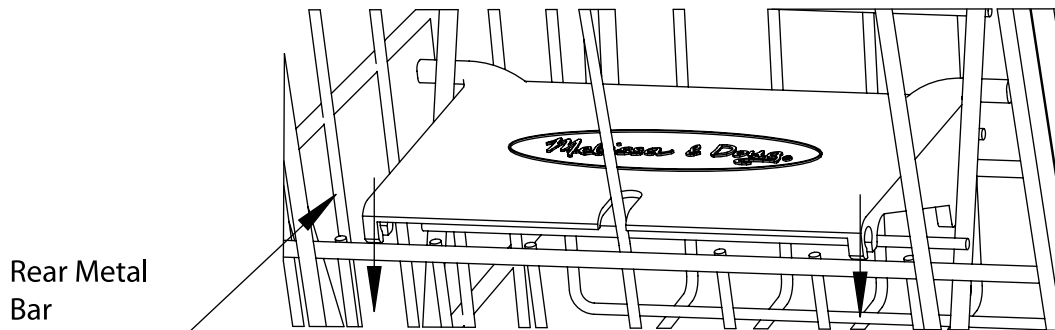
GROCERY CART

STEP 4

Note: Backrest shown here separate from Grocery Cart for clarity.



STEP 5



Press the edge of the Seat as shown until it snaps in place over the rear metal bar of the Grocery Cart