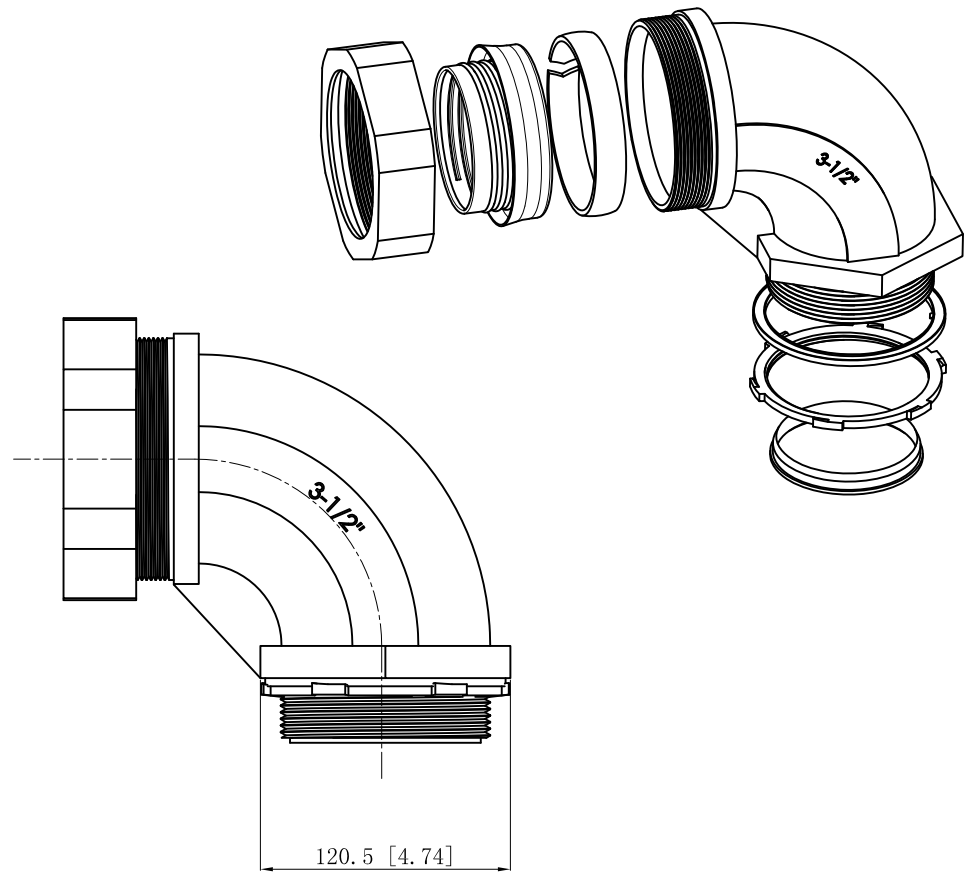
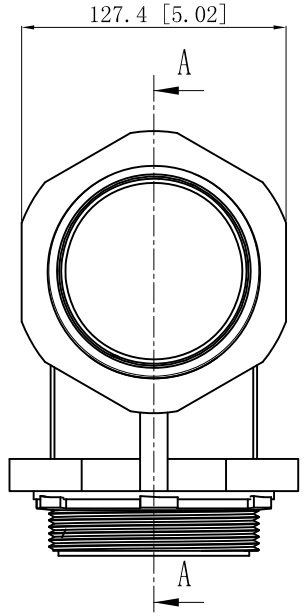
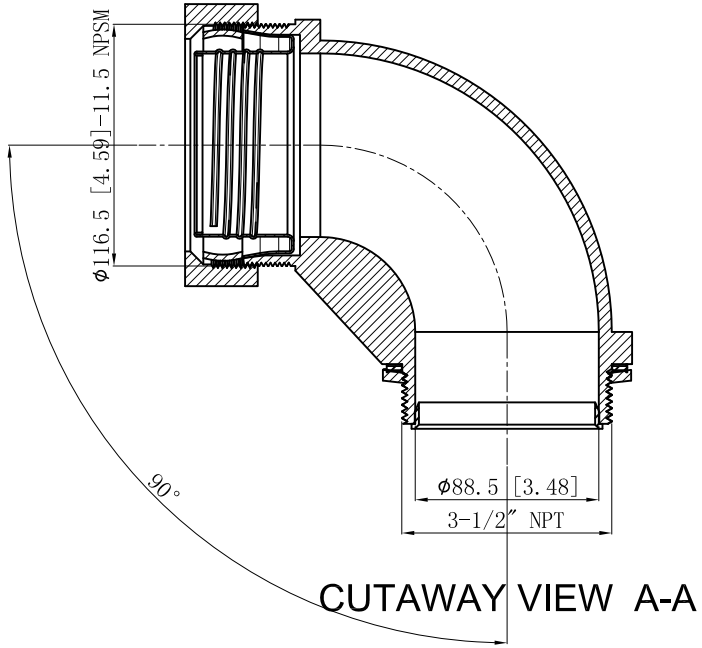


SIDES	BOTTOM
Material:Steel-(C1008-C1018) Galvanized	



DESCRIPTION
TRADE REFERENCE TERMS

STANDARD PACKING
5 PCS

This data sheet is for reference only .GARVIN INDUSTRIES reserves the right to make changes to the design without prior notice.		
GARVIN INDUSTRIES		
90° LIQUID-TIGHT CONNECTORS		
SIZE A4	DWG NO. LTC-35090	REV
DATA SHEET		