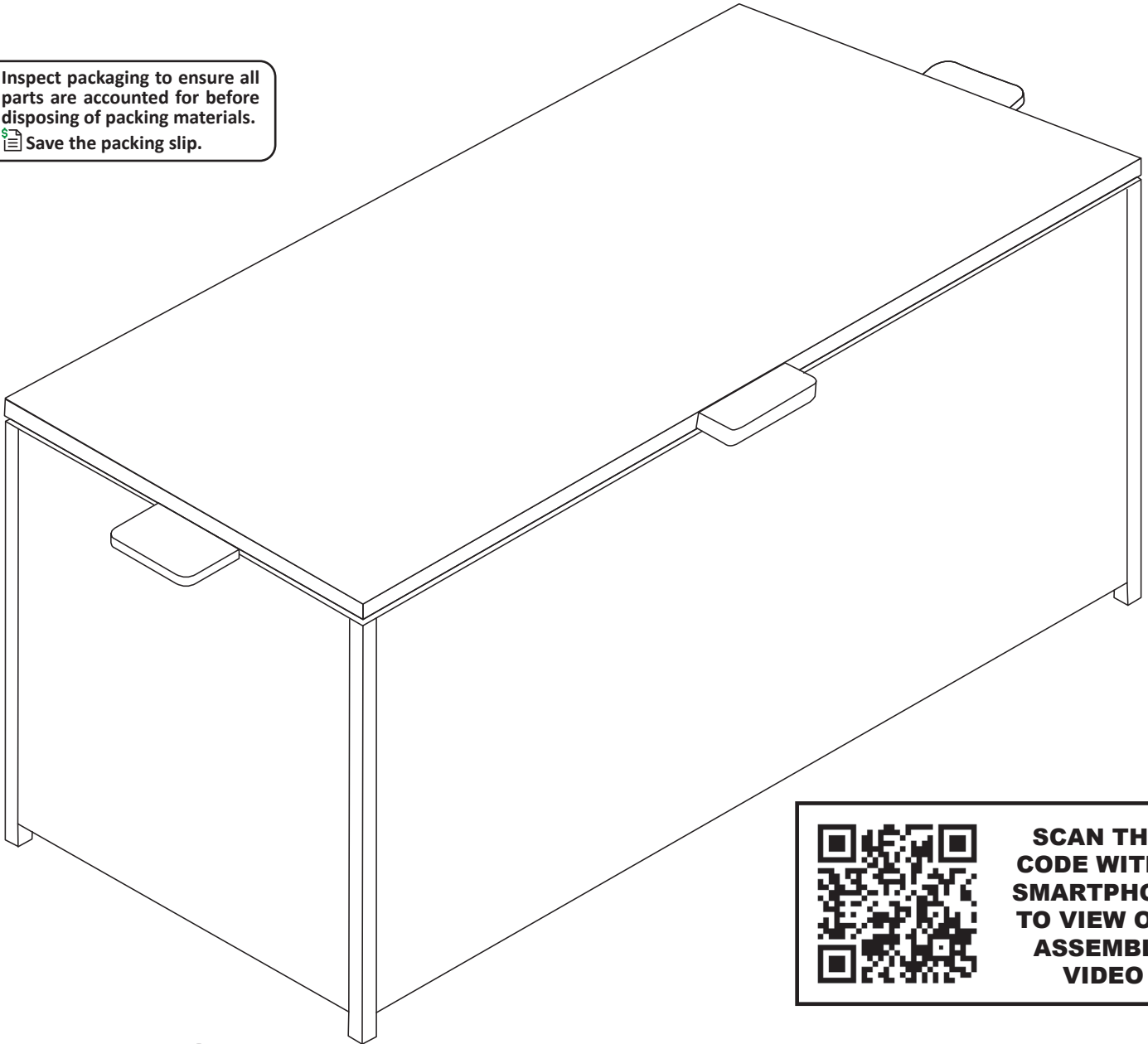
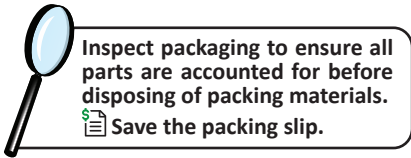


# RESIN WICKER DECK BOX WITH ACACIA WOOD HANDLES

Review all assembly and care information before using this product. Save this manual for future reference.  
Assemble components on a soft, clean surface to avoid damaging the finish.



## WARNING:

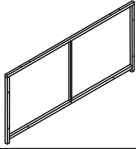
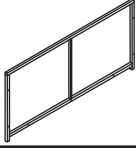


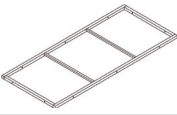
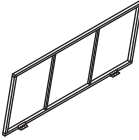


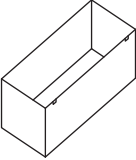
Manufacturer and seller expressly disclaim any and all liability from personal injury, property damage or loss, whether direct or indirect, or incidental, resulting from the incorrect attachment, improper use, inadequate maintenance, or neglect of this product.




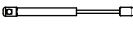





# COMPONENTS



Inspect packaging to ensure all parts are accounted for before disposing of packing materials.

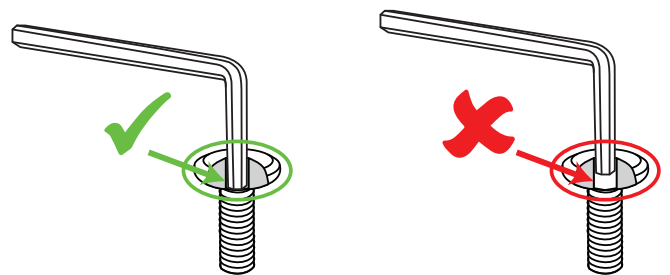
No.	PARTS		QTY.
A		Back Panel	1
B		Front Panel	1
C		Right Panel with Spring Mount	1
D		Left Panel	1
E		Bottom Panel	1
F		Top Panel	1
G		Side Handle	2
H		Front Handle	1
I		Liner	1

No.	HARDWARE		QTY.
1		M6x30mm Bolt	10
2		M6x20mm Bolt	4
3		Washer	24
4		Spring	1
5		M6x40mm Screw	6
6		M6x40mm Bolt	8
7		Hex Key	2

## ⚠ WARNING ⚠

**CHOKING HAZARD** — This item contains small parts that can be swallowed. Keep children and pets away during assembly.

**Tip:** Always fully insert the hex key inside designated notch of the bolt.



If the hex key is not fully inside the notch, the hex key could slip out, causing damage to the bolt head. Repeated hex key slipping will cause the notch to become rounded, making it difficult or impossible to tighten the bolt with the hex key.

**ATTENTION!** Do not fully tighten any hardware until all components are loosely connected. If each bolt is fully tightened too soon, mounting holes may not align and parts may not easily fit together.

Turn each bolt, by hand, until the screw grips into the mounting hole. Continue this process until all bolts have been installed. Tighten all hardware.

Do not use any electronic tools to assemble these product. The high energy of electronic tools will cause hardware to over-tighten, stripping the bolt, bolt head, or bore holes.

Only tighten the hardware entirely after the product is completely set up.

Do not over-tighten screws or bolts.

## ⚠ WARNING:

Manufacturer and seller expressly disclaim any and all liability from personal injury, property damage or loss, whether direct or indirect, or incidental, resulting from the incorrect attachment, improper use, inadequate maintenance, or neglect of this product.

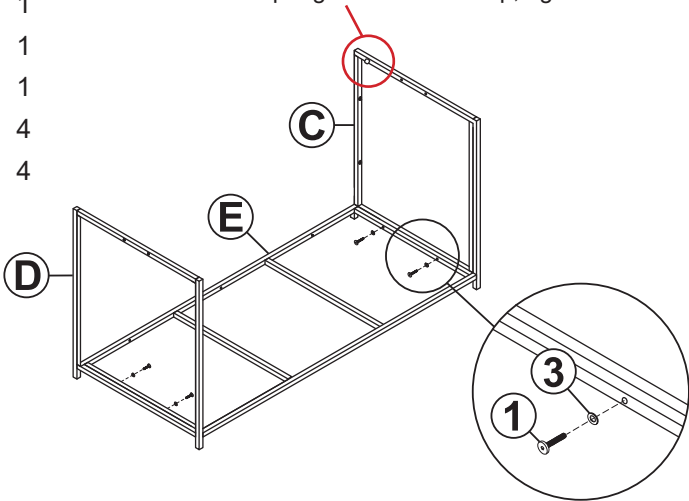


# ASSEMBLY

## STEP 1

**IMPORTANT:** Ensure right panel (C) is installed with the spring mount on the top, right side.

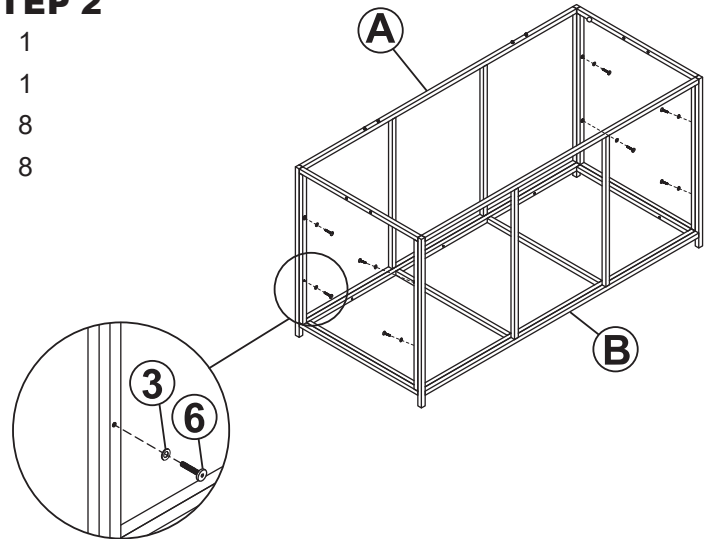
- C: 1
- D: 1
- E: 1
- 1: 4
- 3: 4



Do not fully tighten hardware until after step 5 is complete.

## STEP 2

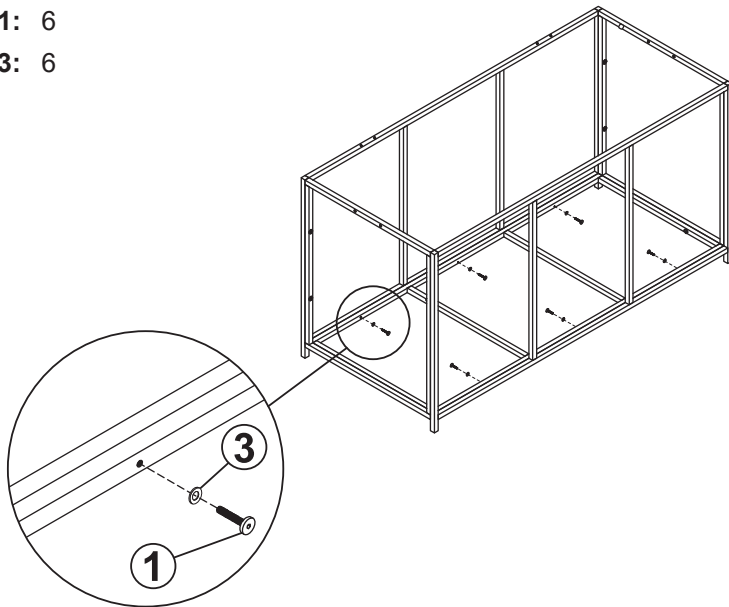
- A: 1
- B: 1
- 3: 8
- 6: 8



Do not fully tighten hardware until after step 5 is complete.

## STEP 3

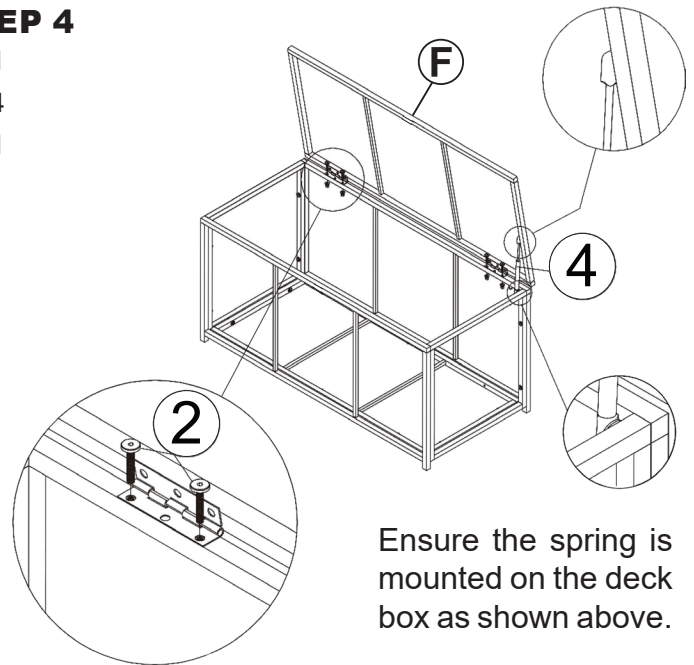
- 1: 6
- 3: 6



Do not fully tighten hardware until after step 5 is complete.

## STEP 4

- F: 1
- 2: 4
- 4: 1

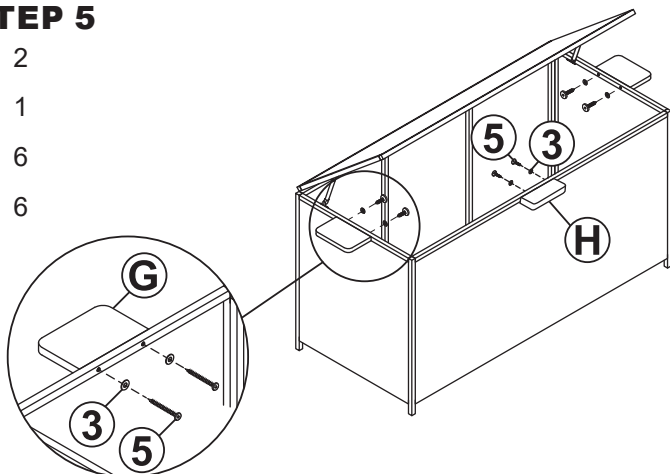


Ensure the spring is mounted on the deck box as shown above.

Do not fully tighten hardware until after step 5 is complete.

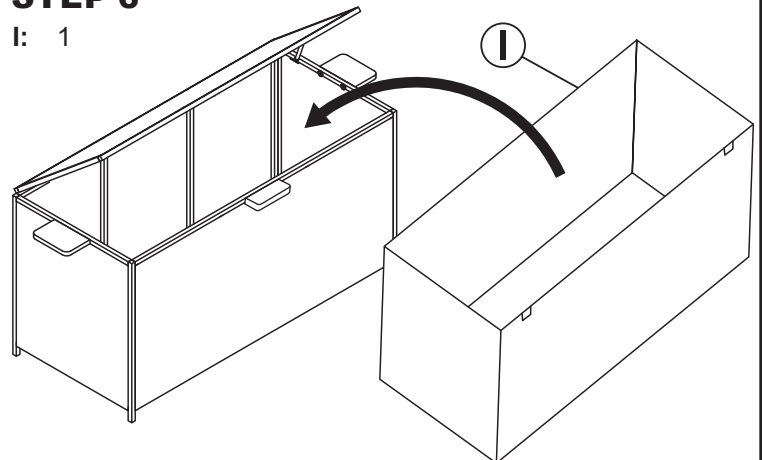
## STEP 5

- G: 2
- H: 1
- 3: 6
- 5: 6



## STEP 6

- I: 1



# Care & Maintenance

**SAFE USE: DO NOT allow children or pets to play on, or inside the deck box.** Always close the lid. Do not sit or stand on the deck box.

**INSPECT:** Periodically check the unit to ensure all hardware is firmly secured, re-tighten as necessary.

**SUN EXPOSURE:** All furniture will eventually fade from sun exposure. Maintain the color and integrity of the unit by using in a shaded area and storing indoors during off seasons.

**CLEAN:** Periodically washing the resin wicker will maintain a fresh appearance and prevent damage that may result from the build-up of dust and debris.

**CARE & STORAGE:** Store the deck box indoors during freezing conditions. Cover the deck box while in storage to help prevent dust and debris build-up. Keep an eye out for animals that might chew on or nest in the deck box.

## Cleaning

*Do not use harsh chemicals or abrasive materials to clean the furniture.*

 **DO NOT USE BLEACH**

 **DO NOT USE A PRESSURE WASHER**

### Resin Wicker Surfaces

Brush, vacuum or use a garden hose to remove loose dirt and debris. If using a hose with a spray nozzle, use gentle or medium pressure settings; using high-pressure sprayer settings will damage the construction of the furniture and void the product warranty.

Mix 1/4 cup of soap or mild detergent with 1 gallon of warm water. Using a soft-bristle brush, gently scrub the dirt and grime from the resin wicker.

Spray with a garden hose or use a bucket of water to rinse all traces of soap residue from the unit.

### Wooden Surfaces

Following the woodgrain, wipe with a dry cloth.

## SAFETY STATEMENTS & WARNINGS

- Do not sit or stand on any part of this storage box.
- Firmly secure all hardware before use.
- Inspect hardware often and tighten as necessary.
- Do not allow children to play in or around this unit.
- Keep furniture a safe distance from heat sources such as fire pits, patio heaters, and grills.
- Do not use this item in the proximity of open flame or flammable/combustible chemicals.
- Do not use harsh chemicals or abrasive materials to clean this unit.
- This product is for residential use only; institutional or commercial use will void this warranty.

**Any modification to the product or failure to follow recommended care will void the product warranty.**

*If you experience issues with assembly or the product was damaged during shipping, please contact our customer service team through one of the methods mentioned at the top of page 1.*

*Please have the item number and order information ready to expedite response time.*

## **WARNING!**

**Manufacturer and seller expressly disclaim any and all liability from personal injury, property damage or loss, whether direct or indirect, or incidental, resulting from the incorrect attachment, improper use, inadequate maintenance, or neglect of this product.**