

**FixFit**

**Wall Outlet with Check Valves**

Finishes : **polished nickel** Part no. : **27458833**



**Description**

**Features**

- 1/2" NPT

**Item details**

List Price \$ 84.00

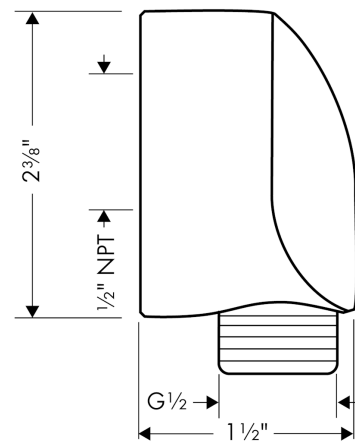
**Compliance**



**Product image**



**Scale drawing**



**FixFit**

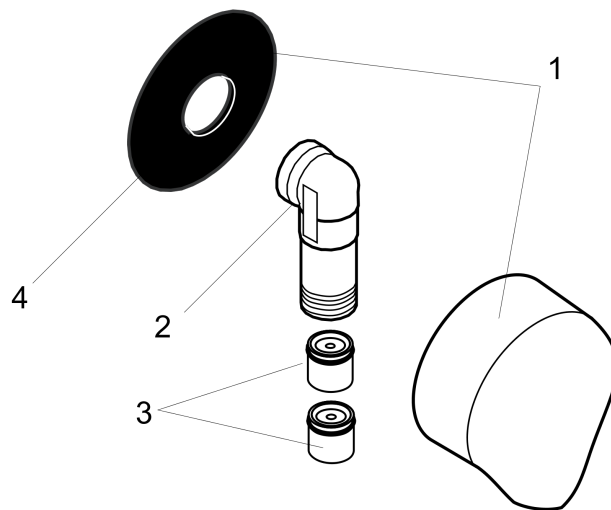
**Wall Outlet with Check Valves**

Finishes : **polished nickel** Part no. : **27458833**



**Exploded drawing**

Year of production: >07/02



**FixFit**

**Wall Outlet with Check Valves**

Finishes : **polished nickel** Part no. : **27458833**



**Spare parts list**

Year of production: >07/02

Pos.	Description	Part no.	Price	PU
1	cover	97454830	-	1
2	connection angel	98531001	-	1
3	set of non return valves DW 15	94074000	-	1
4	support element	98557000	-	1