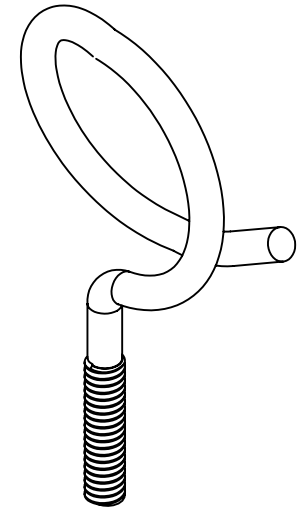
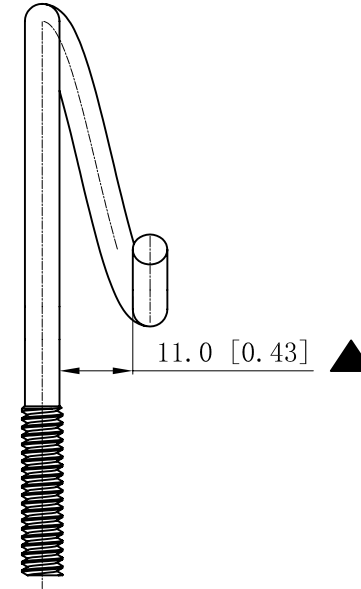
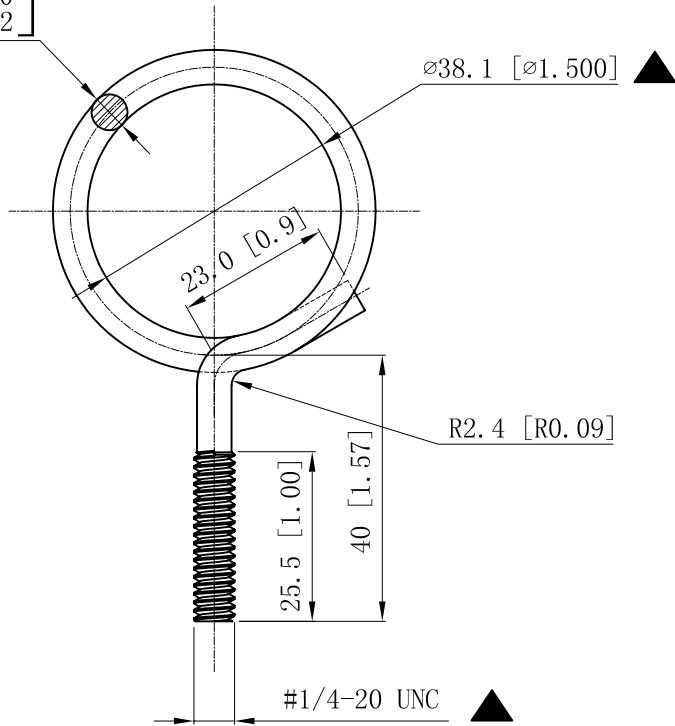


SIDES	BOTTOM
Material: Steel- $\varnothing 0.213$ "-(C1008-C1018) Zinc Plated	

$\begin{matrix} +0.05 \\ \varnothing 5.4-0.03 \end{matrix}$ $\left[\begin{matrix} +0.0020 \\ \varnothing 0.213-0.0012 \end{matrix} \right]$



This data sheet is for reference only .GARVIN INDUSTRIES reserves the right to make changes to the design without prior notice.

DESCRIPTION
TRADE REFERENCE TERMS

STANDARD PACKING
100 PCS

TITLE			REV
GARVIN INDUSTRIES			
MACHINE-SCREW BRIDLE RINGS			D
SIZE	DWG NO.		
A4	BR-150		
DATA SHEET			