

Assembly Guide



Bush
FURNITURE

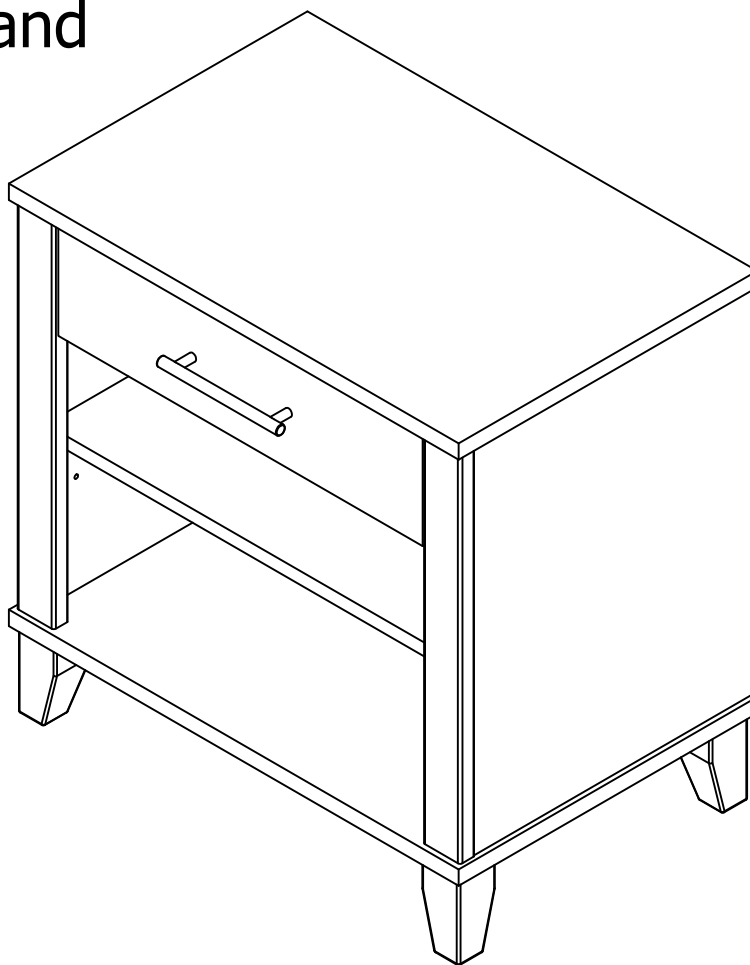


If you're having any difficulty during assembly of this product, don't hesitate to call us at **1-800-950-4782.**

Our customer service experts are trained to provide step-by-step instruction and can easily replace any missing or damaged parts.

Representatives are available Monday-Friday from 8:30 a.m. to 7:30 p.m. (ET)

Nightstand



Lot Code #

Instruction Sheet Number A183837D

Keep manual for future reference.

For best results, keep these tips in mind:

- ① We know you want to finish this assembly as quickly as possible, but trust us: you'll have a better experience if you take it one step at a time.
- ② Give yourself some room to work near where you want the fully assembled product.
- ③ If your floor isn't carpeted, assemble this product on the empty carton to avoid scratching.
- ④ Do you have a friend who owes you a favor? Some steps may go a little easier with a second set of hands.

DOs

- ✔ Use a #2 Phillips head screwdriver (or other handheld tools as indicated)
- ✔ Wear safety glasses at all times during assembly
- ✔ Carefully follow the instructions in this guide and complete all steps in order
- ✔ Give us a call if you're having trouble with a particularly tricky step

DON'Ts

- ✘ We know power tools are quick and easy, but you shouldn't use them when assembling this product (unless otherwise specified)
- ✘ Never move your furniture with items inside or resting on the surface
- ✘ Do not attempt to use this product before all steps have been completed

Watch assembly videos right on your phone or computer!



Some steps include QR codes that link to helpful videos. Watch out for the icon on the left! Simply open up your smartphone camera to scan the code.

(Users of older smartphones may need to install a QR Reader.)

SCAN HERE



FOR VIDEOS

Or visit <https://www.bushfurniture.com/CustomerService/HowtoAssemble.aspx>



IMPORTANT SAFETY INFORMATION



PLEASE READ WARNINGS

Improper use can cause safety hazards, or damage to your furniture and household items.

Warning	Do	Don't	Why it's important
Serious injury may occur.	<ul style="list-style-type: none">Assemble following all instructions using all indicated parts and hardware provided.Install every indicated nail and/or screw.Verify furniture is stable on it's own.Place heaviest items in the lower drawers or shelves.Remove items that might tempt kids to climb, such as toys and remote controls from the top and upper shelves of furniture.	<ul style="list-style-type: none">Do not move unit when loaded.Do not load with a television or other heavy equipment.Do not exceed the maximum load limits stated in the instructions.Do not allow children to stand, climb, or hang on furniture.	Improper assembly, use or loading can lead to product instability, tipover, or collapse.

Advertencia	Hacer	No	Por qué es importante
Pueden producirse lesiones graves.	<ul style="list-style-type: none">Realice el montaje siguiendo todas las instrucciones y utilizando todas las piezas indicadas y los herrajes suministrados.Instale todos los clavos y/o tornillos indicados.Compruebe que el mueble sea estable por sí mismo.Coloque los objetos más pesados en los cajones o estantes inferiores.Retire los objetos que puedan tentar a los niños a trepar, como juguetes y mandos a distancia, de los estantes superiores y superiores del mueble.	<ul style="list-style-type: none">No mueva la unidad cuando esté cargada.No cargue el mueble con un televisor u otro equipo pesado.No supere los límites máximos de carga indicados en las instrucciones.No permita que los niños se pongan de pie, trepen o se cuelguen de los muebles.	El montaje, uso o carga inadecuados pueden provocar inestabilidad, vuelco o colapso del producto.

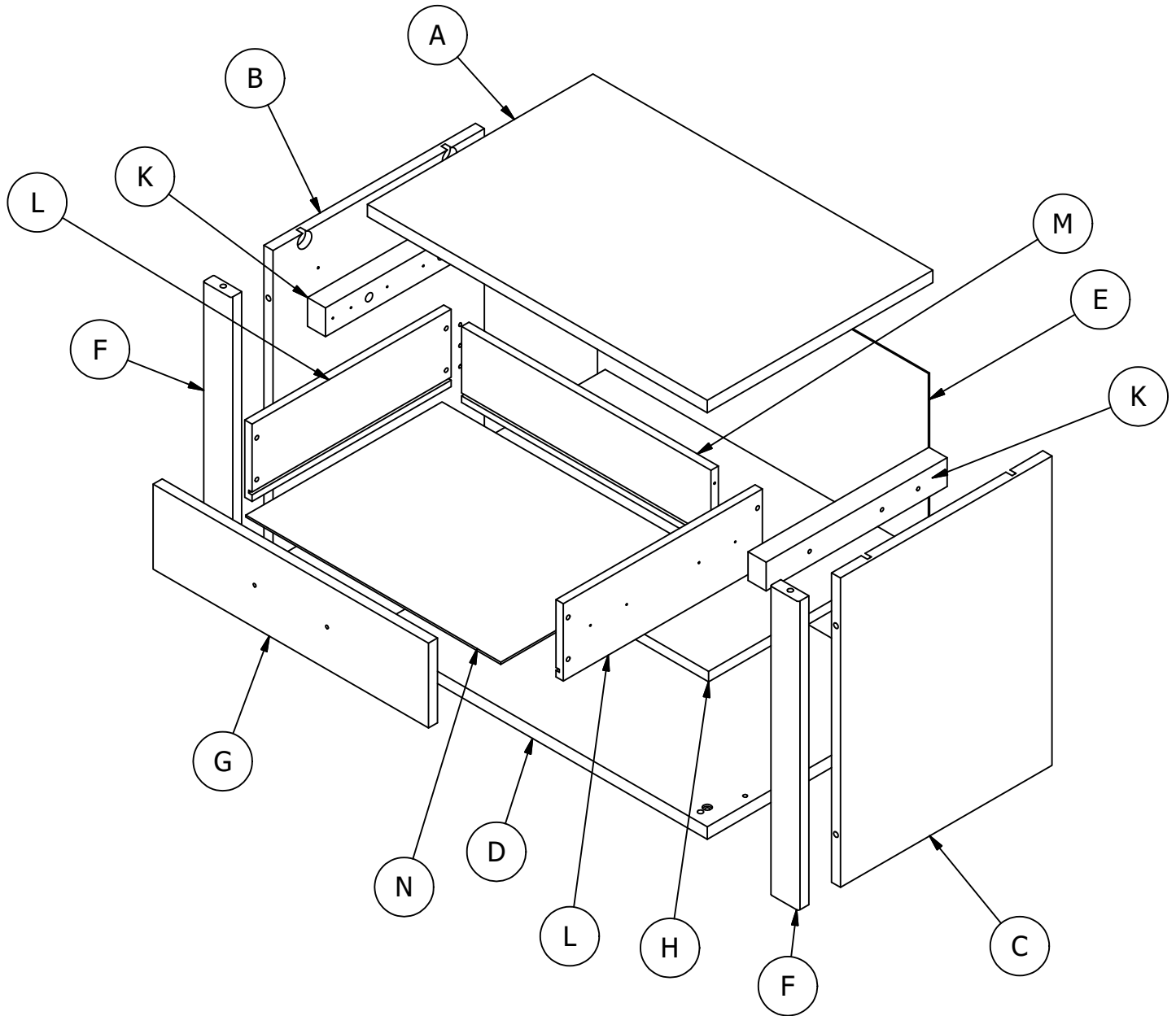
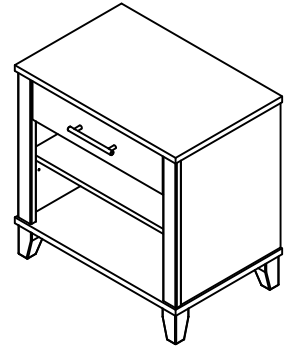
IMPORTANT SAFETY INFORMATION



PLEASE READ WARNINGS

Improper use can cause safety hazards, or damage to your furniture and household items.

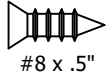
Avertissement	À faire	À ne pas faire	Pourquoi c'est important
Peut entraîner des blessures graves.	<ul style="list-style-type: none">• Assembler en suivant toutes les instructions et en utilisant toutes les pièces et la quincaillerie incluses.• Installer tous les clous et/ou toutes les vis.• Assurez-vous que le meuble soit stable par lui-même.• Placer les objets les plus lourds sur les tablettes ou dans les tiroirs du bas.• Retirer les objets qui pourraient inciter les enfants à grimper comme les jouets et les télécommandes des tablettes supérieures et du dessus du meuble.	<ul style="list-style-type: none">• Ne pas déplacer le meuble lorsqu'il est chargé.• Ne pas charger le meuble avec un téléviseur ou tout autre équipement lourd• Ne pas dépasser les limites de poids maximales indiquées dans les instructions.• Ne pas laisser les enfants se tenir sur les meubles, y grimper ou s'y suspendre.	Un assemblage, une utilisation ou un chargement incorrects peuvent entraîner l'instabilité, le basculement ou l'effondrement du produit.



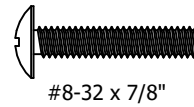
Have an assembly question or need a replacement part? Just call
1-800-950-4782, we are here to help.

Fasteners are shown actual size.

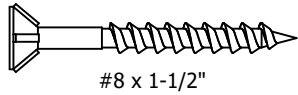
H218835 [16]
(Black) #8 x .5"



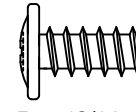
H23480 [2]
#8-32 x 7/8"



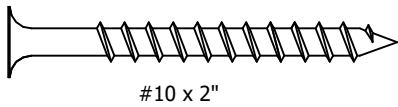
H150333 [4]
#8 x 1-1/2"



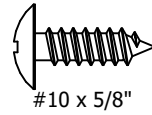
H146988 [4]
Euro 13/14mm



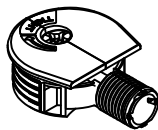
H23491 [4]
#10 x 2"



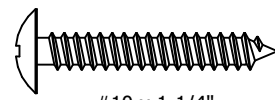
H23119 [8]
(Black) #10 x 5/8"



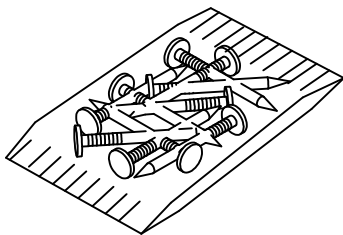
H191173 [4]
25mm Quiklock



H23370 [4]
#10 x 1-1/4"



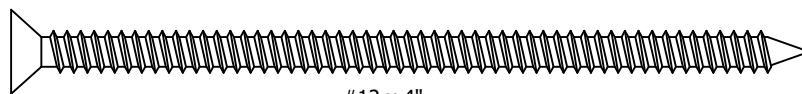
Q85389 [1]
Nail Bag (20)



H38169 [8]
Wood Dowel 8 x 30

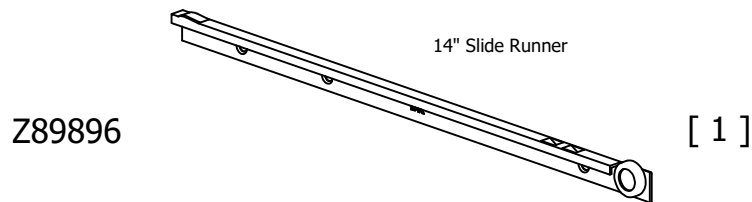
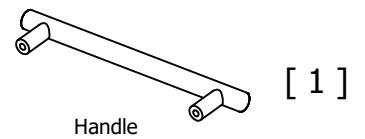
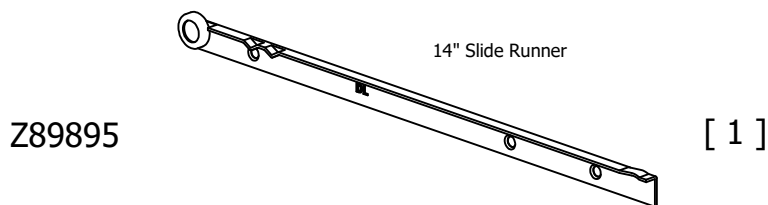
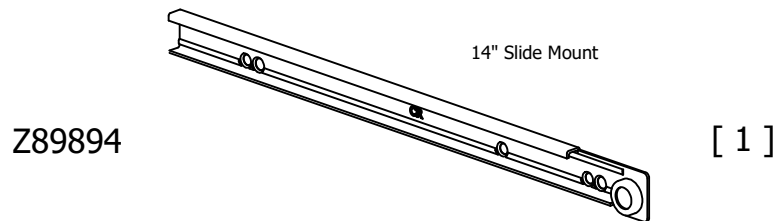
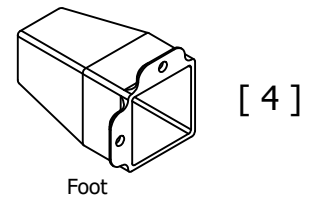
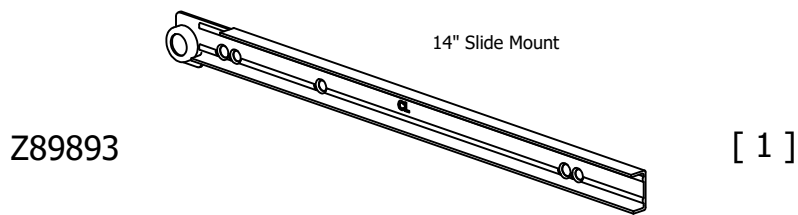
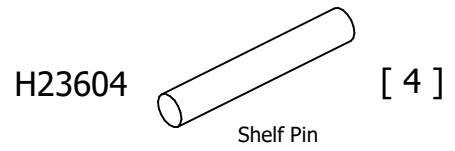
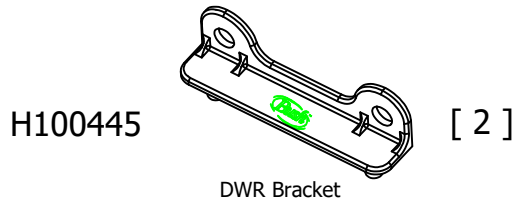


H143460 [4]
#12 x 4"



Have an assembly question or need a replacement part? Just call
1-800-950-4782, we are here to help.

Hardware not to scale.



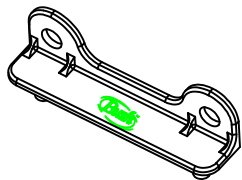
Have an assembly question or need a replacement part? Just call
1-800-950-4782, we are here to help.

STEP 1

Assemble Panels

A183837D

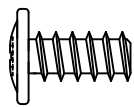
H100445



DWR Bracket

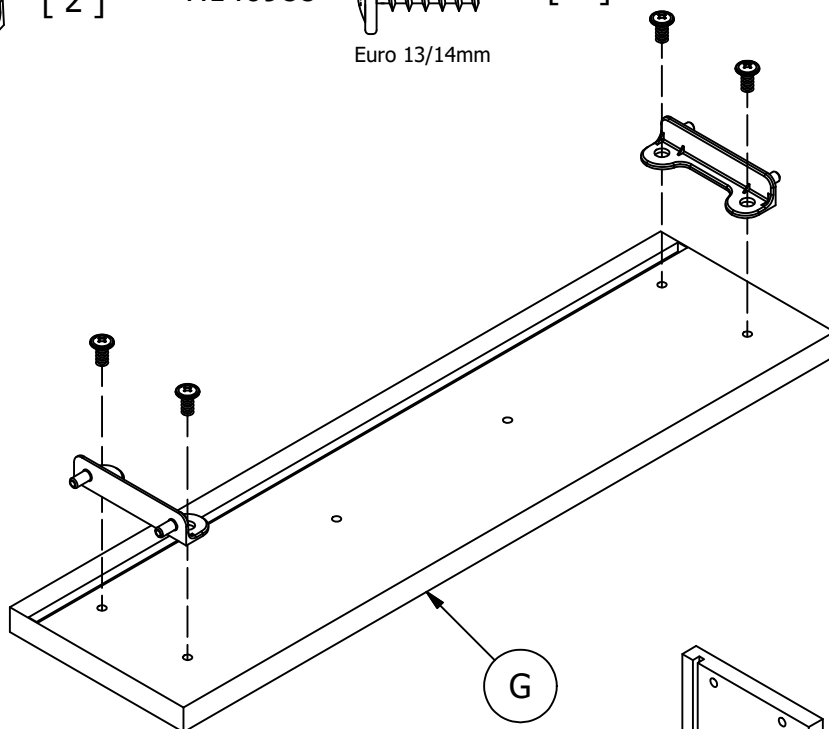
[2]

H146988



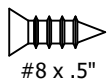
Euro 13/14mm

[4]



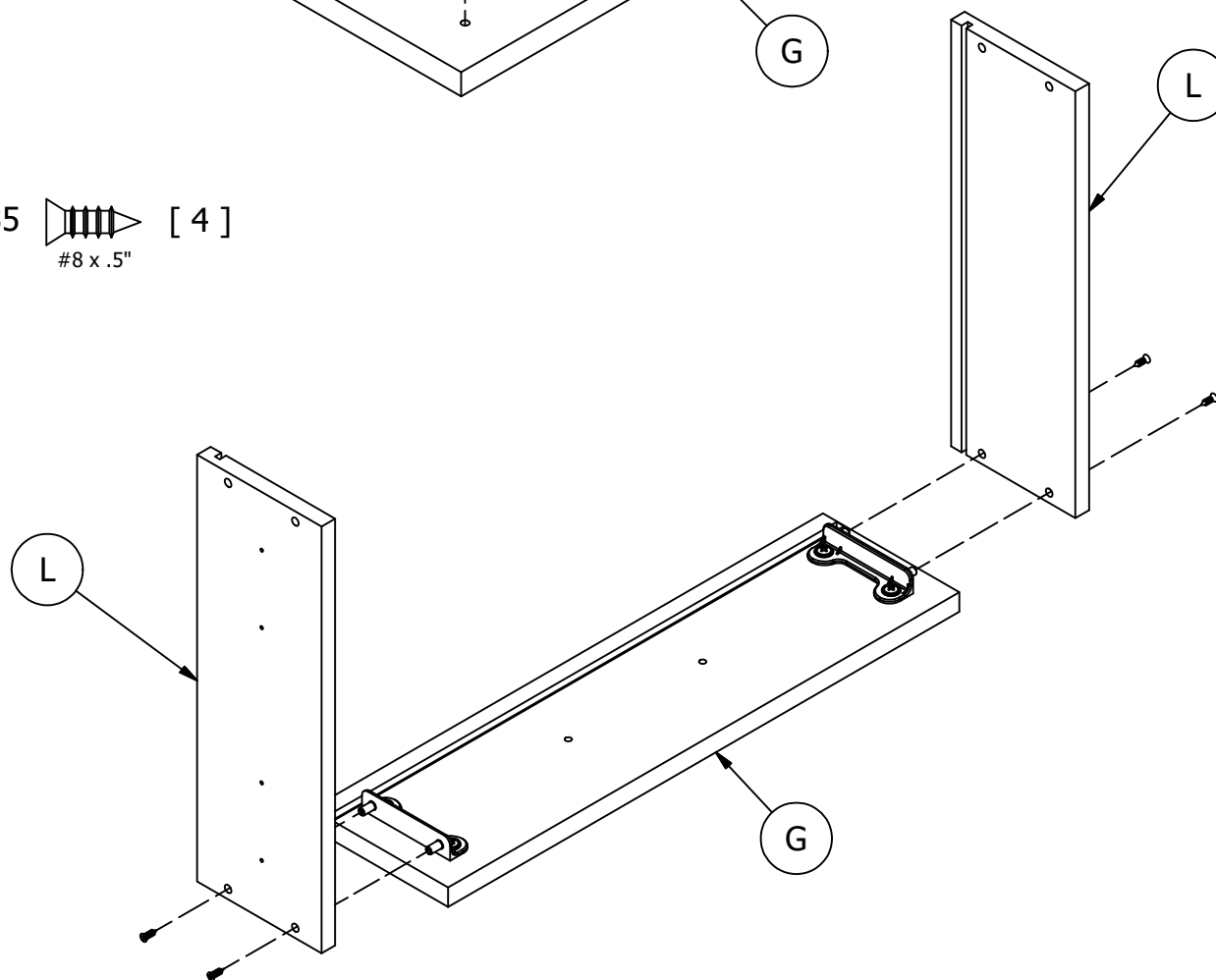
H218835

(Black)



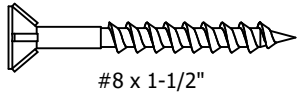
[4]

#8 x .5"



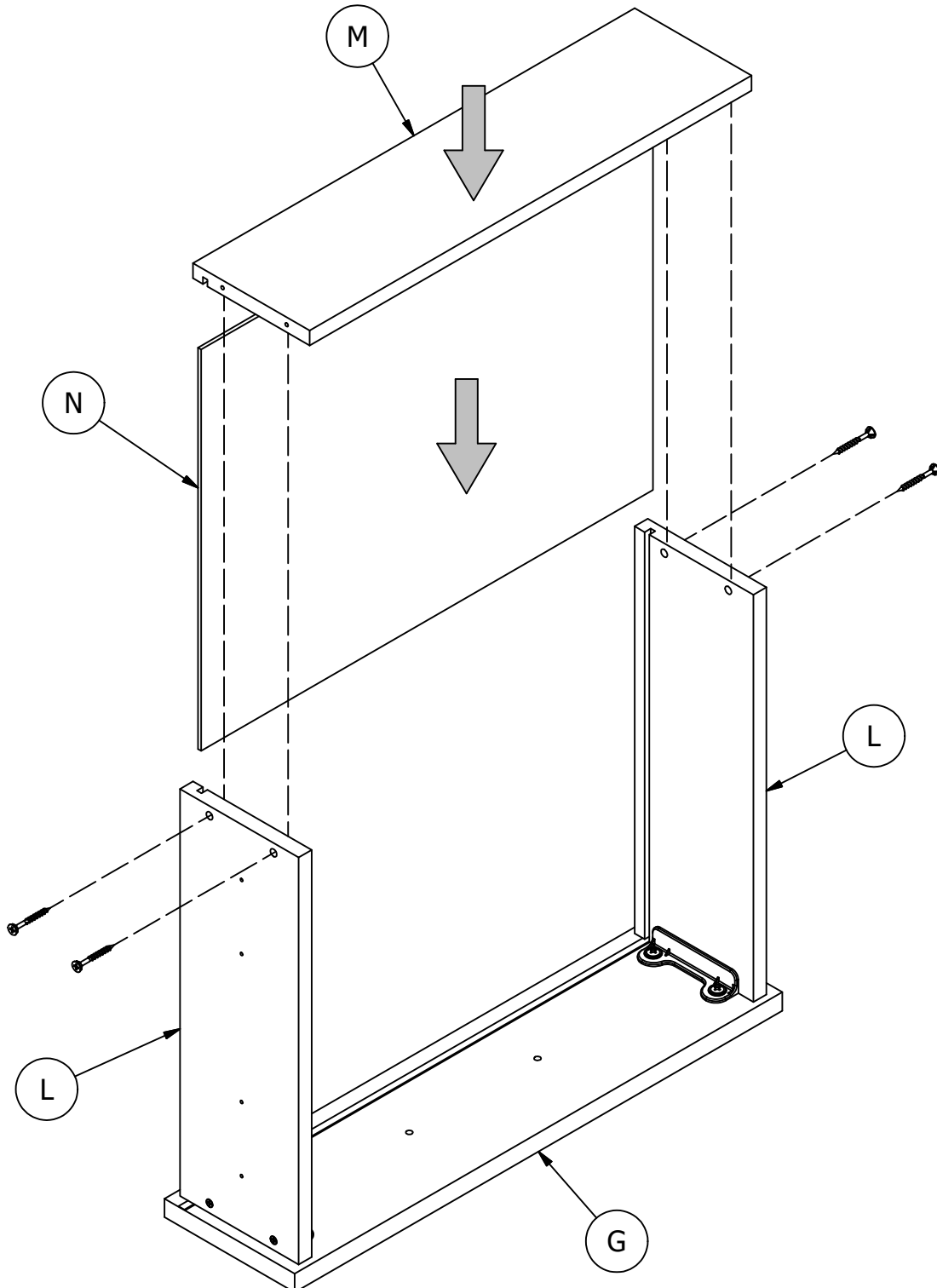
Have an assembly question or need a replacement part? Just call
1-800-950-4782, we are here to help.

H150333



[4]

#8 x 1-1/2"

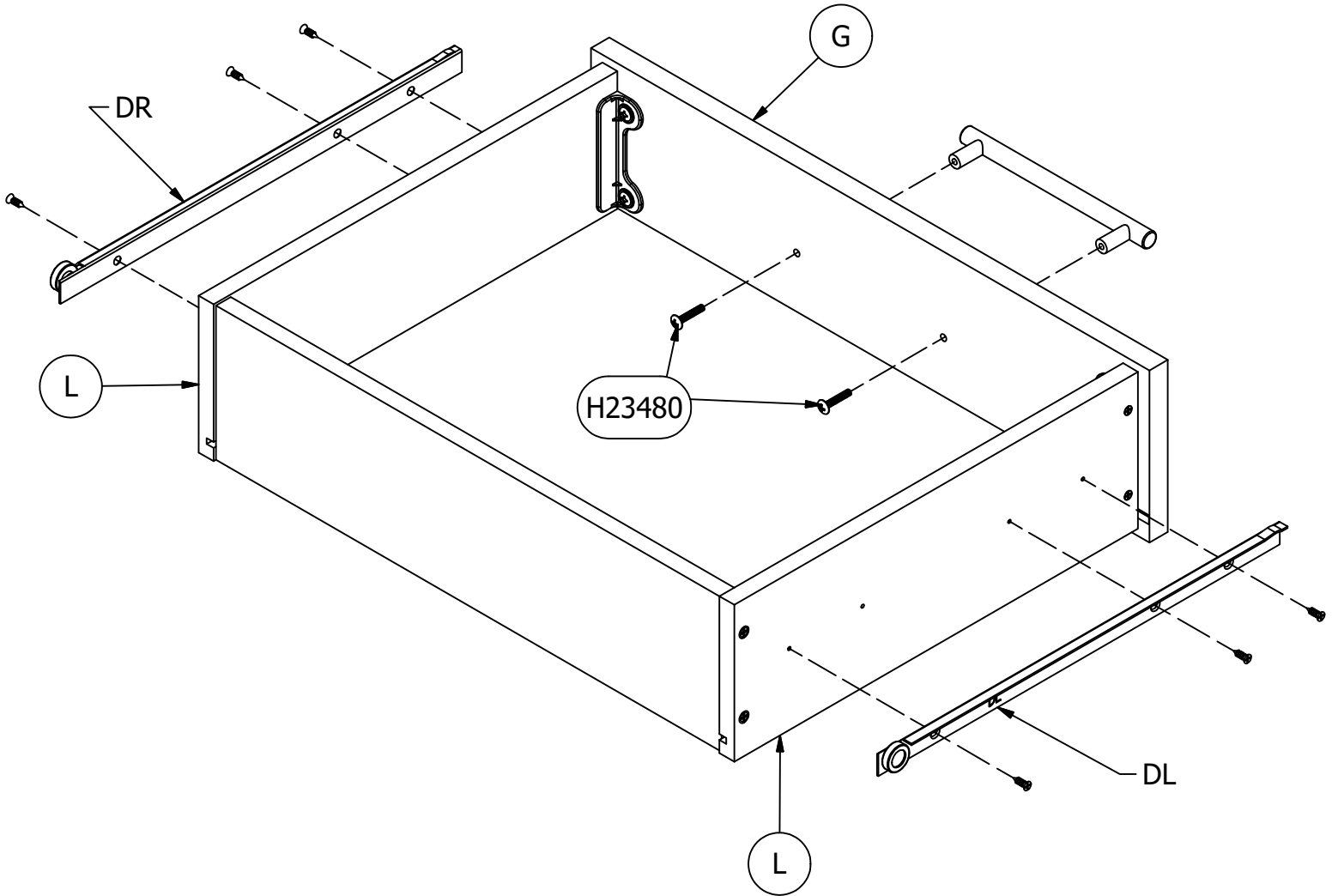
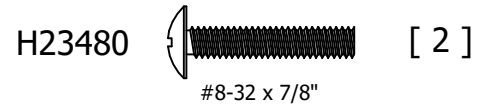
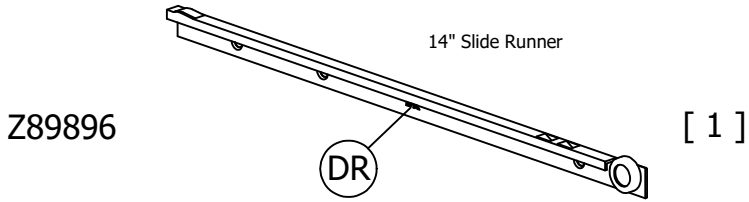
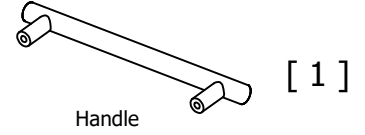
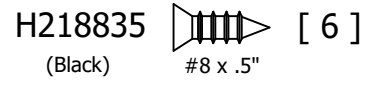
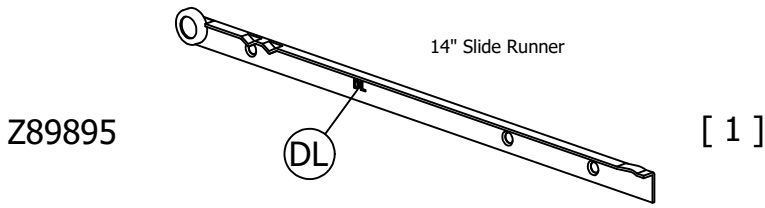


Have an assembly question or need a replacement part? Just call
1-800-950-4782, we are here to help.

STEP 3

Build Drawer

A183837D



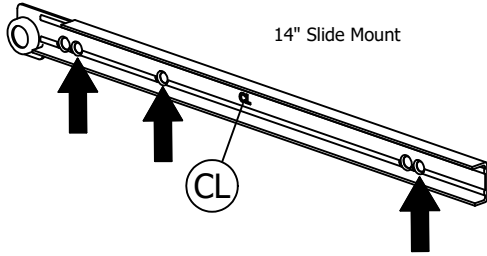
Have an assembly question or need a replacement part? Just call **1-800-950-4782**, we are here to help.

STEP 4

Assemble Panels

A183837D

Z89893



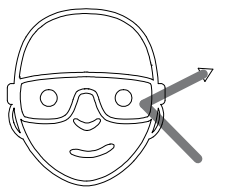
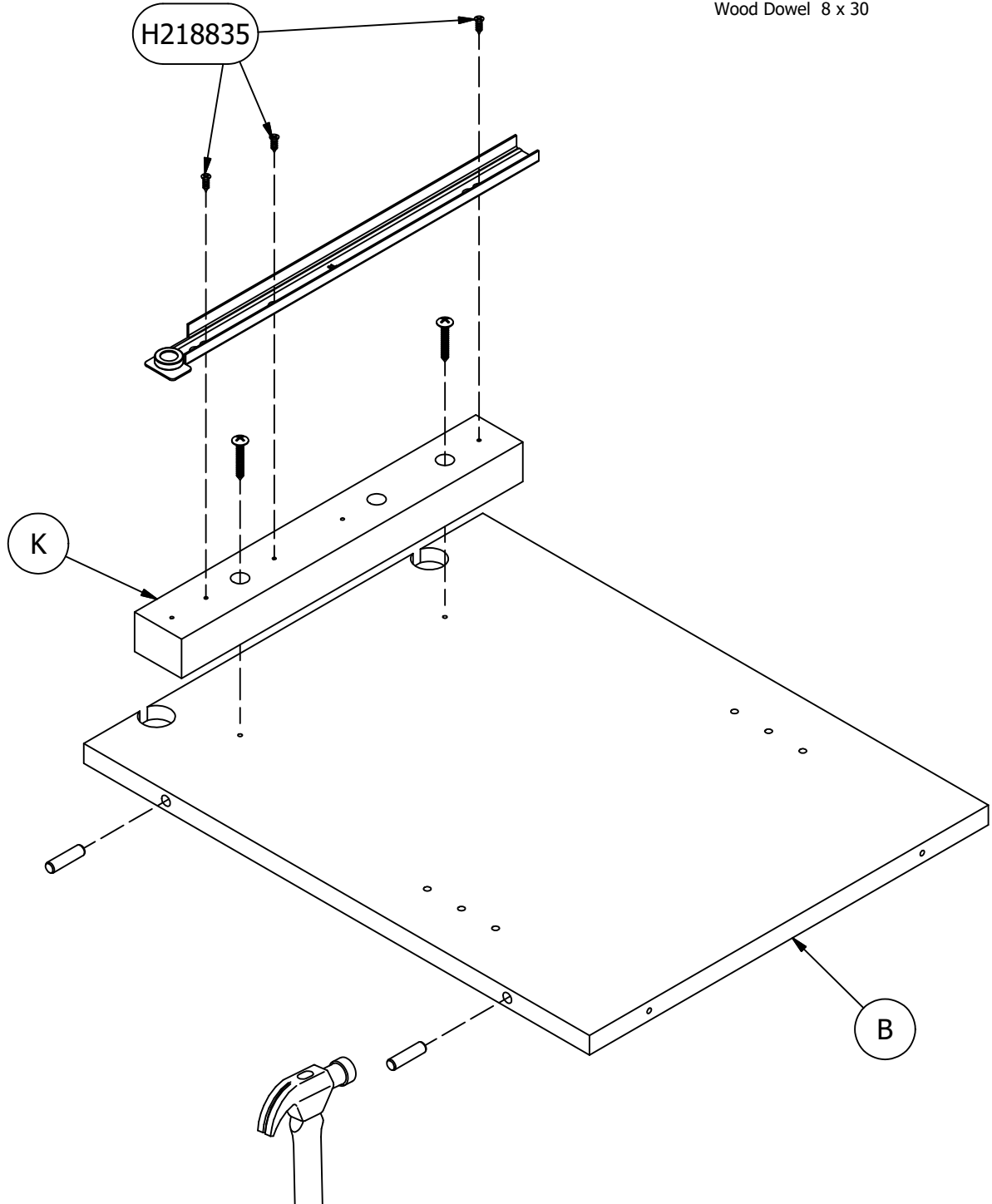
14" Slide Mount

[1]

H218835 [3]
(Black) #8 x .5"

H23370 [2]
#10 x 1-1/4"

H38169 [2]
Wood Dowel 8 x 30



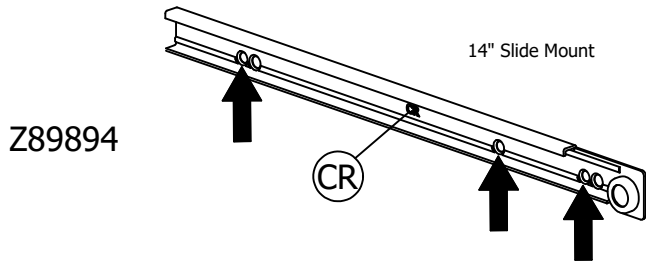
Safety glasses
Gafas de seguridad
Lunettes de protection

Have an assembly question or need a replacement part? Just call
1-800-950-4782, we are here to help.

STEP 5

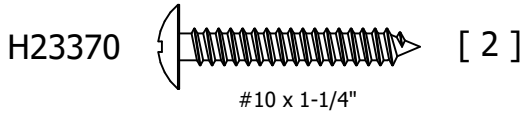
Assemble Panels

A183837D

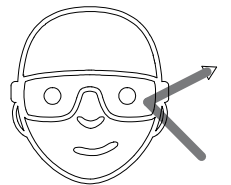
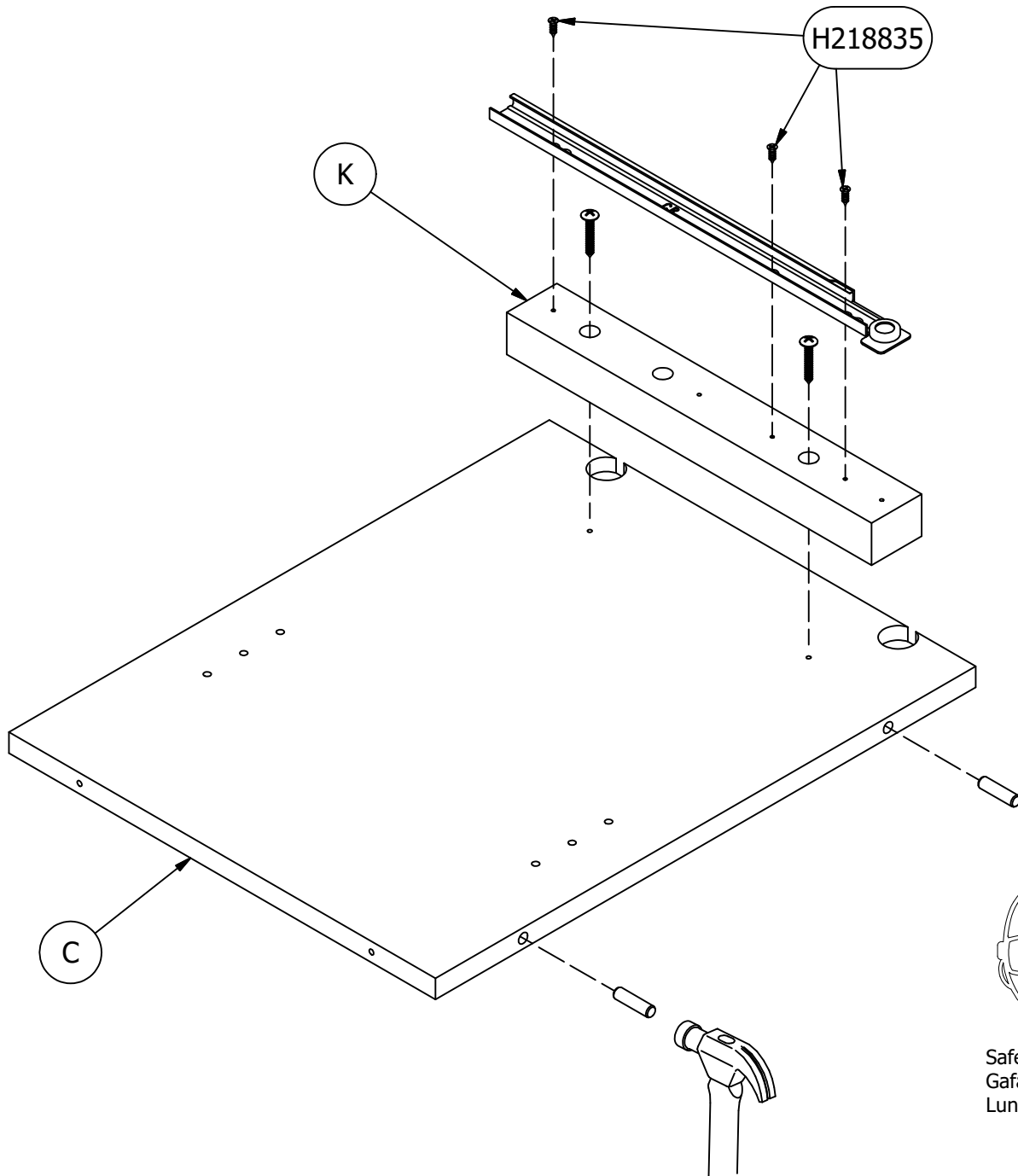


[1]

H218835 [3]
(Black) #8 x .5"



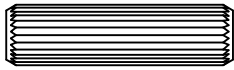
H38169 [2]
Wood Dowel 8 x 30



Safety glasses
Gafas de seguridad
Lunettes de protection

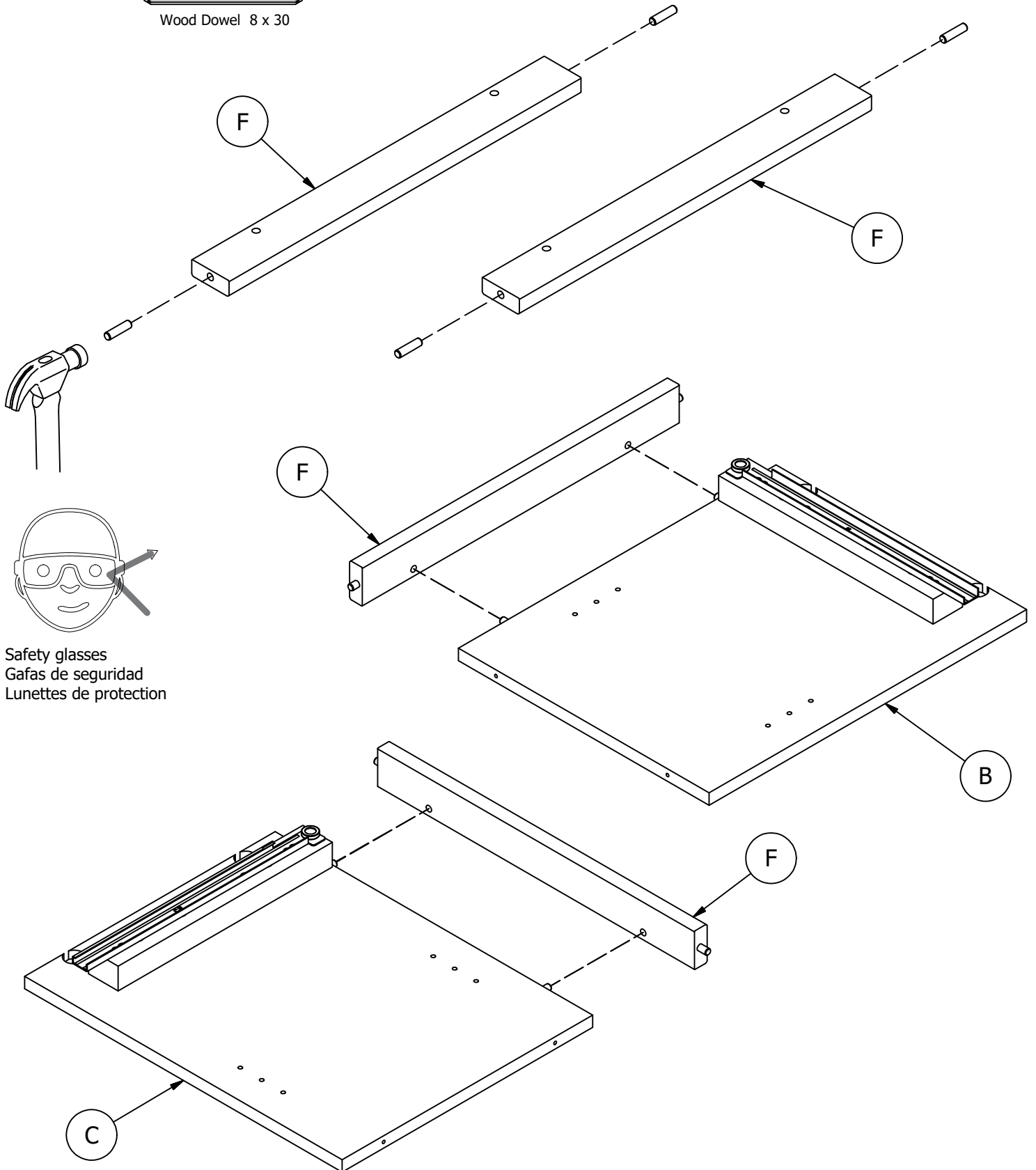
Have an assembly question or need a replacement part? Just call
1-800-950-4782, we are here to help.

H38169



[4]

Wood Dowel 8 x 30



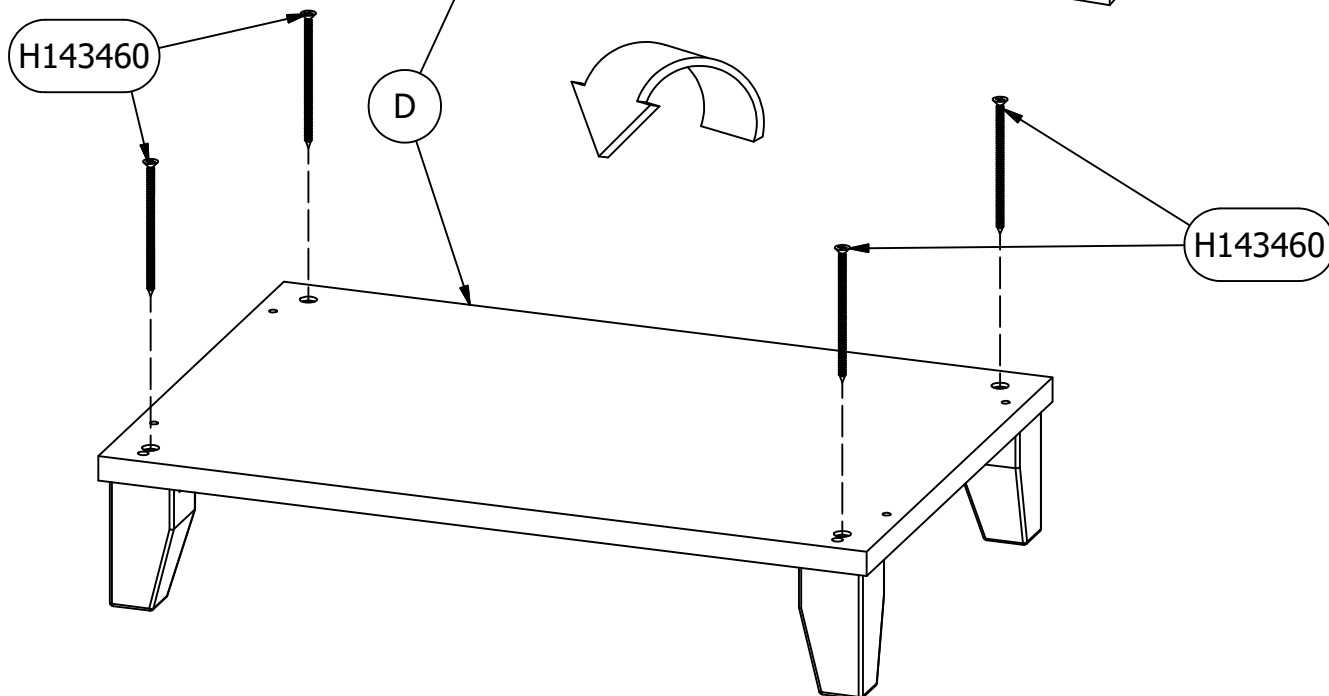
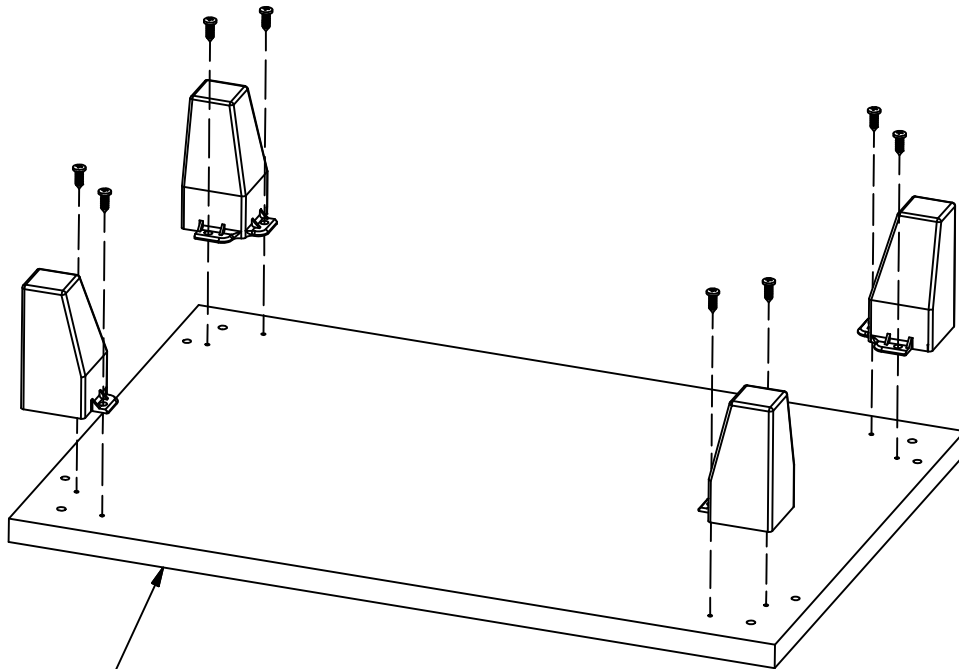
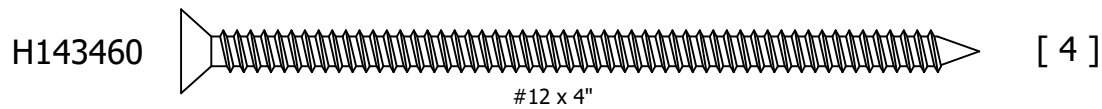
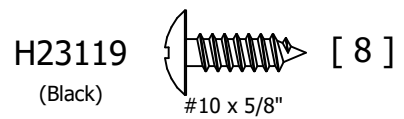
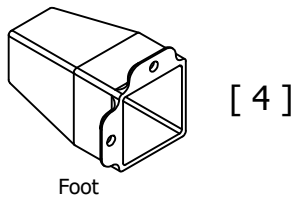
Safety glasses
Gafas de seguridad
Lunettes de protection

Have an assembly question or need a replacement part? Just call
1-800-950-4782, we are here to help.

STEP 7

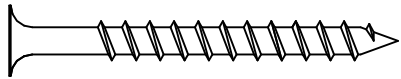
Prepare Panel

A183837D



Have an assembly question or need a replacement part? Just call
1-800-950-4782, we are here to help.

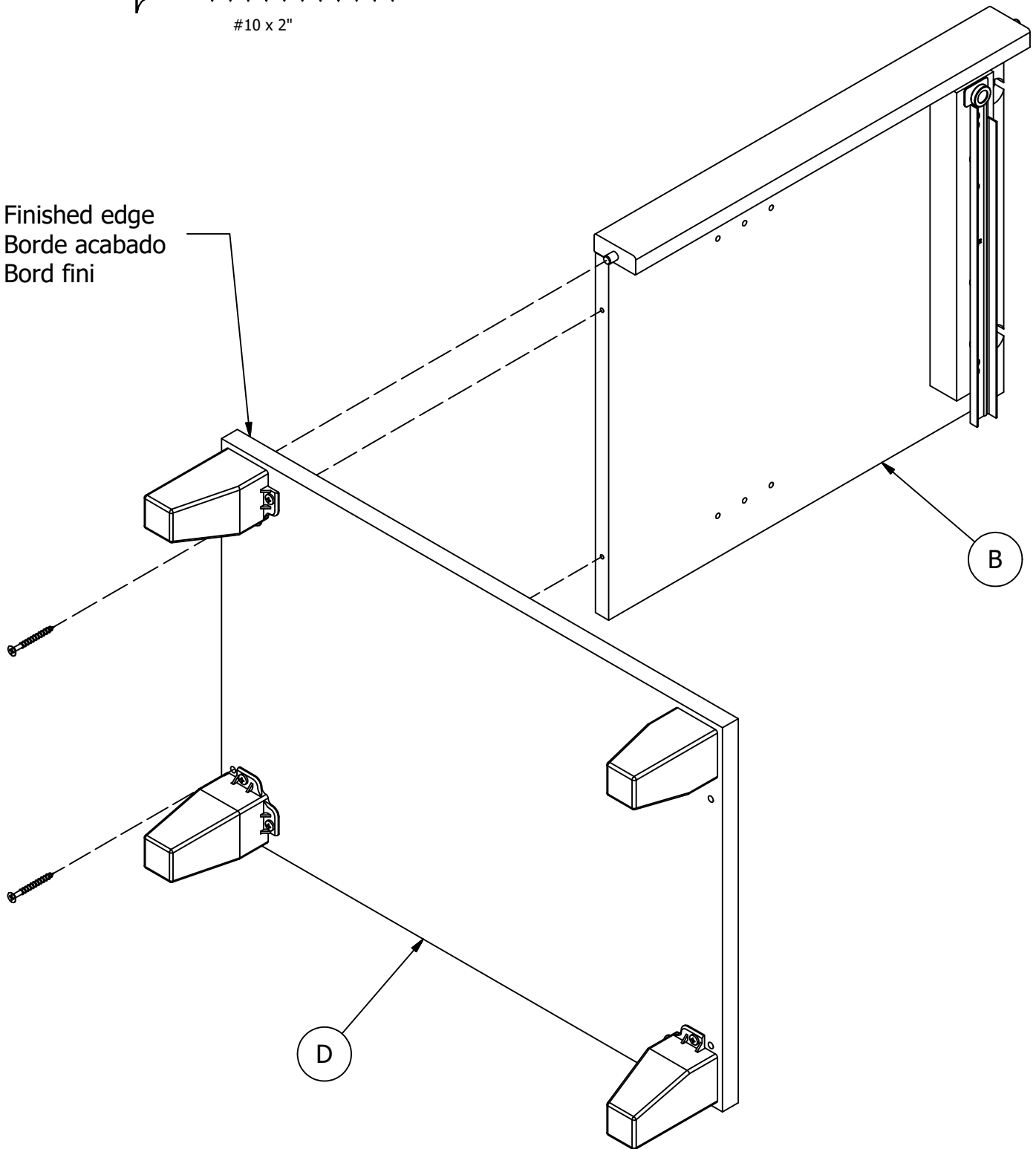
H23491



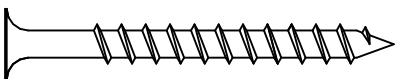
[2]

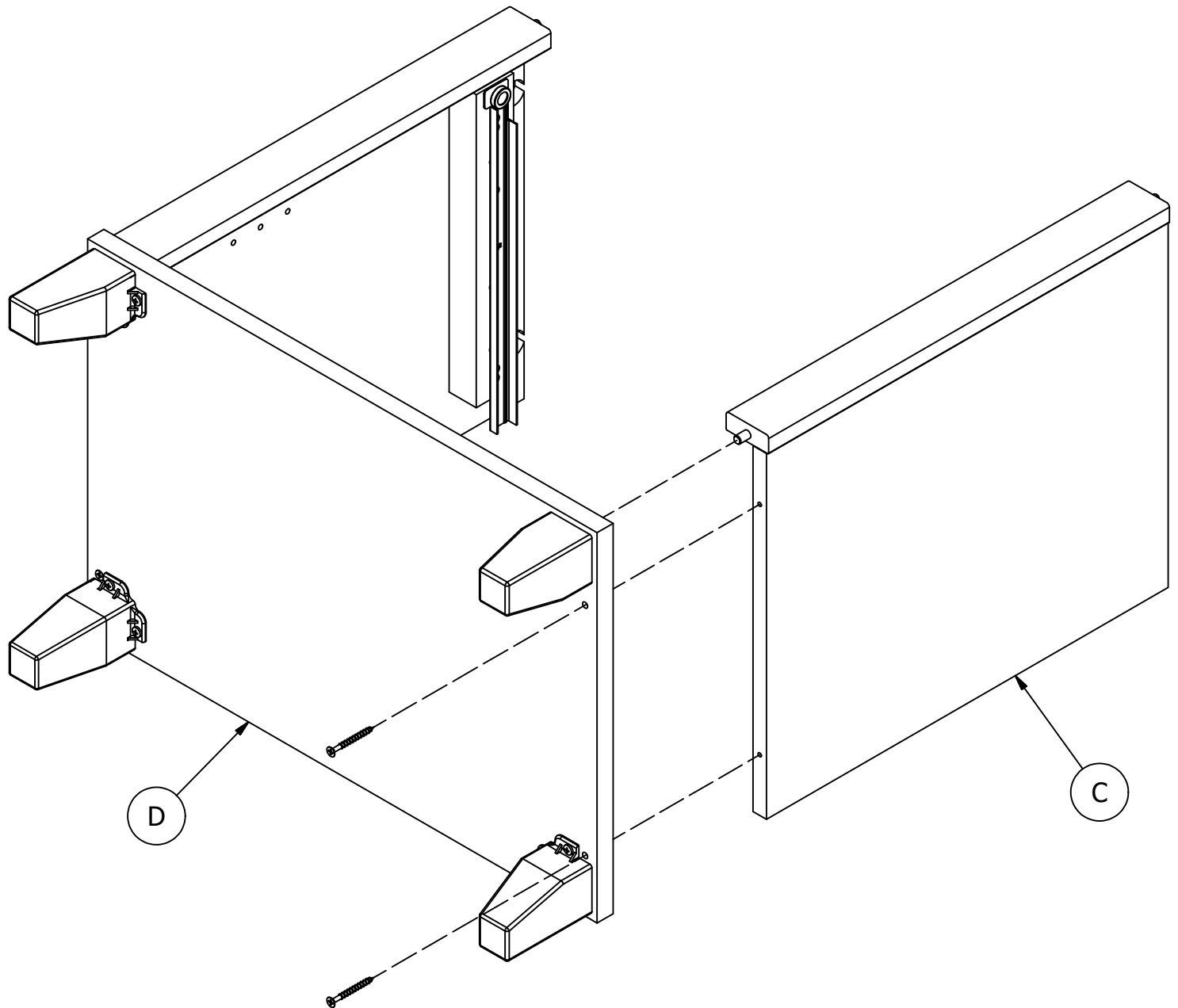
#10 x 2"

Finished edge
Borde acabado
Bord fini



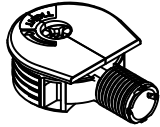
Have an assembly question or need a replacement part? Just call
1-800-950-4782, we are here to help.

H23491  [2]
#10 x 2"



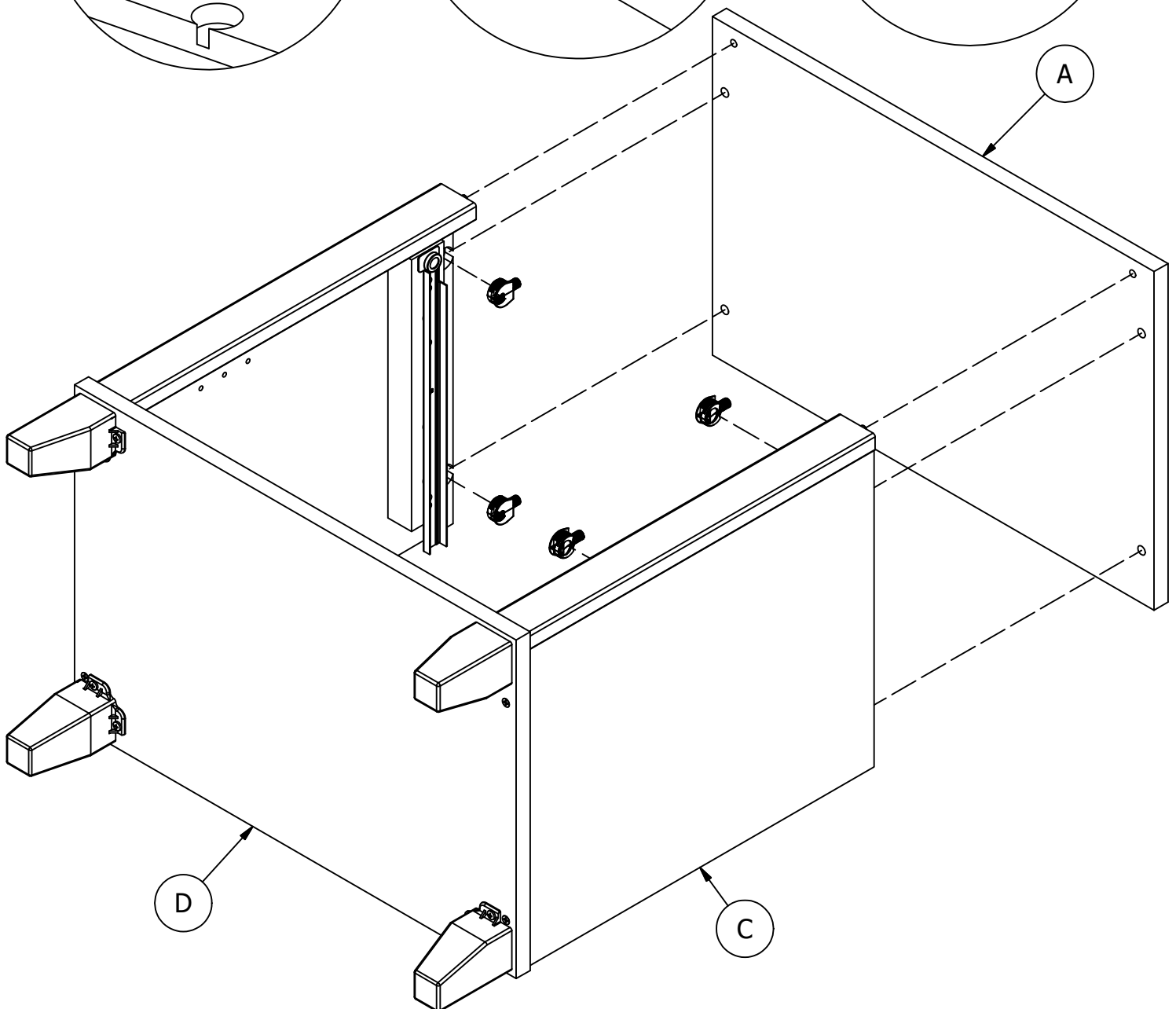
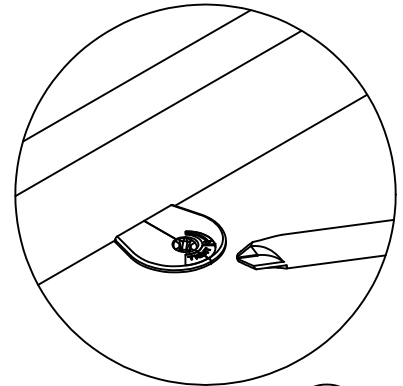
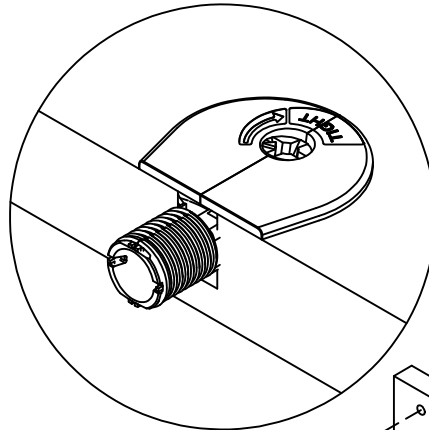
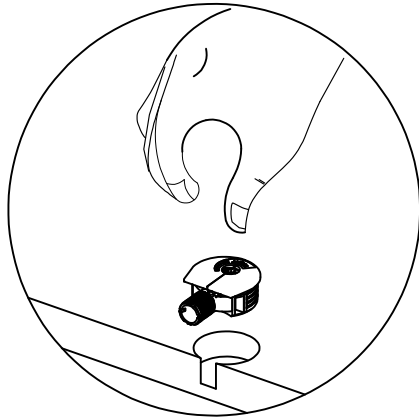
Have an assembly question or need a replacement part? Just call
1-800-950-4782, we are here to help.

H191173

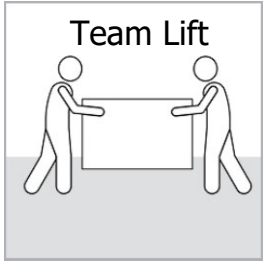


[4]

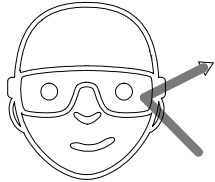
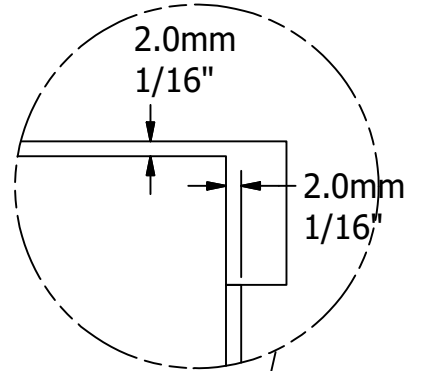
25mm Quiklock



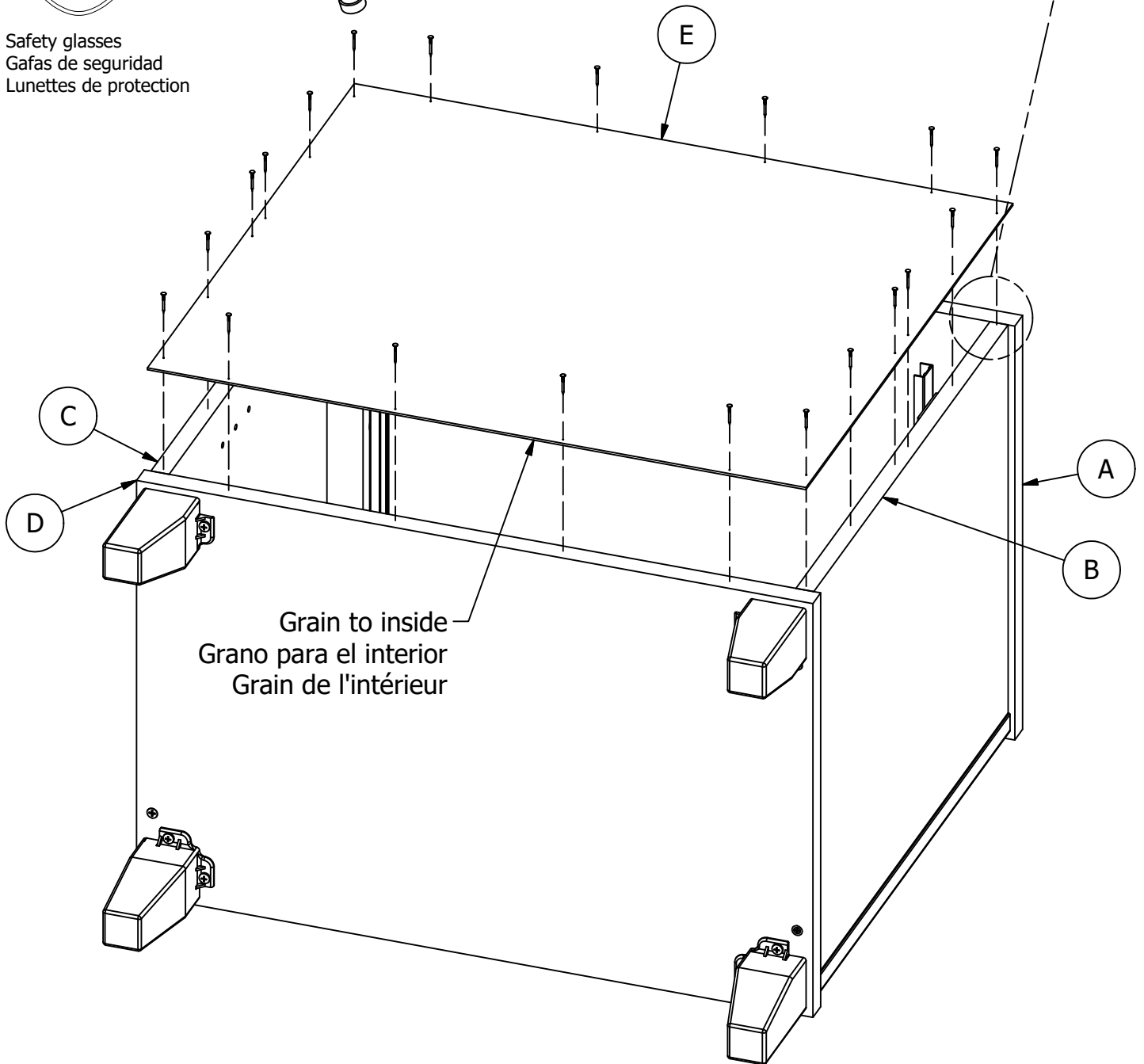
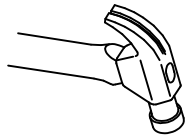
Have an assembly question or need a replacement part? Just call
1-800-950-4782, we are here to help.



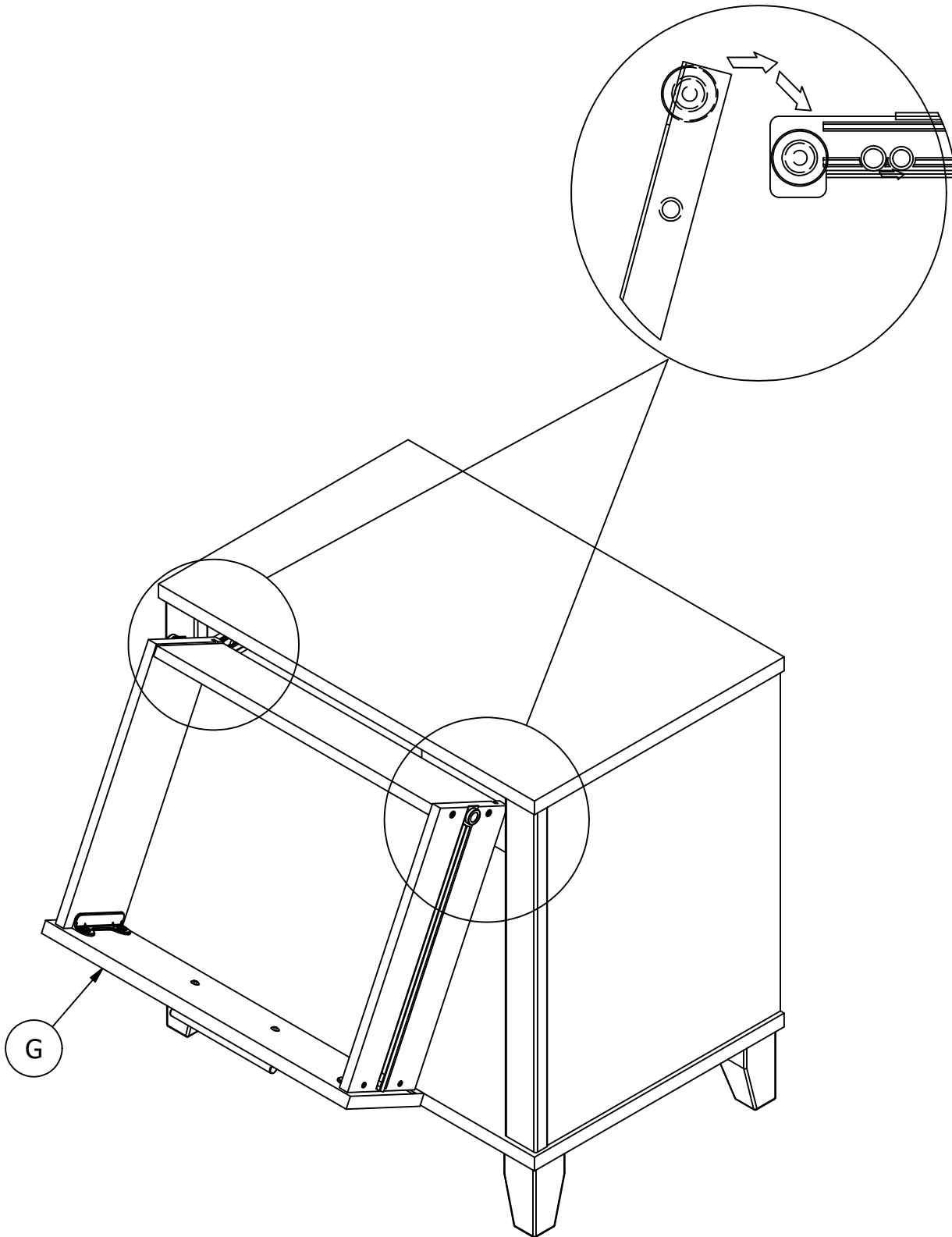
H34174 [20]
Nail 19mm



Safety glasses
Gafas de seguridad
Lunettes de protection



Have an assembly question or need a replacement part? Just call
1-800-950-4782, we are here to help.



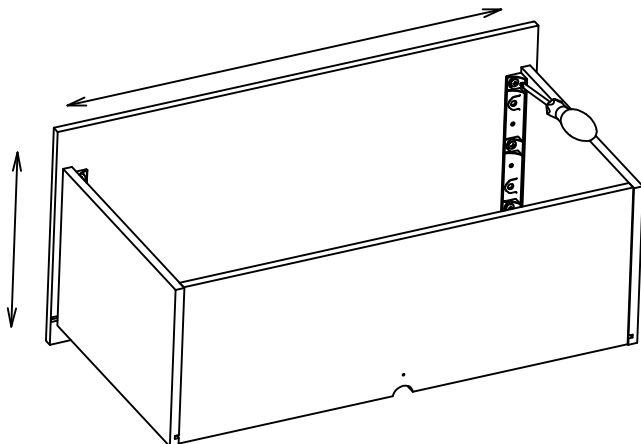
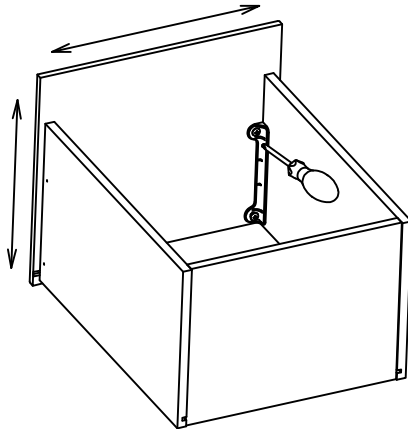
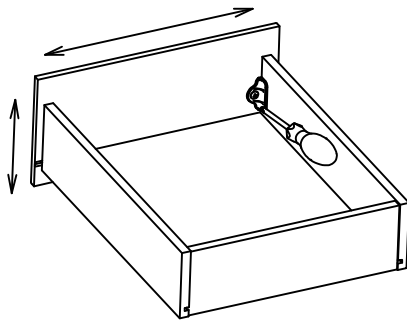
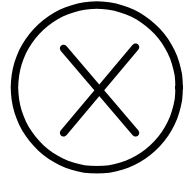
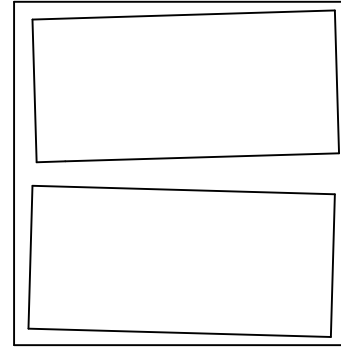
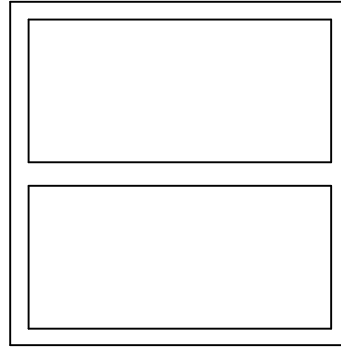
Have an assembly question or need a replacement part? Just call
1-800-950-4782, we are here to help.

Scan QR Code to Watch Video on:



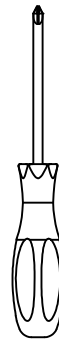
How to Adjust Drawer Fronts

DRAWER FRONT VIEW



REQUIRED TOOL: PHILLIPS SCREWDRIVER

HERRAMIENTA REQUERIDA: DESTORNILLADOR PHILLIPS
 OUTIL REQUIS: TOURNEVIS CRUCIFORME



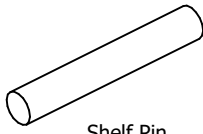
1. LOOSEN SCREWS.
2. ADJUST DRAWER FRONTS.
3. TIGHTEN SCREWS.

1. Afloje los tornillos
2. Ajustar frentes de cajón
3. Apriete los tornillos

1. Desserrer les vis
2. Ajuster les façades des tiroirs
3. Serrer les vis

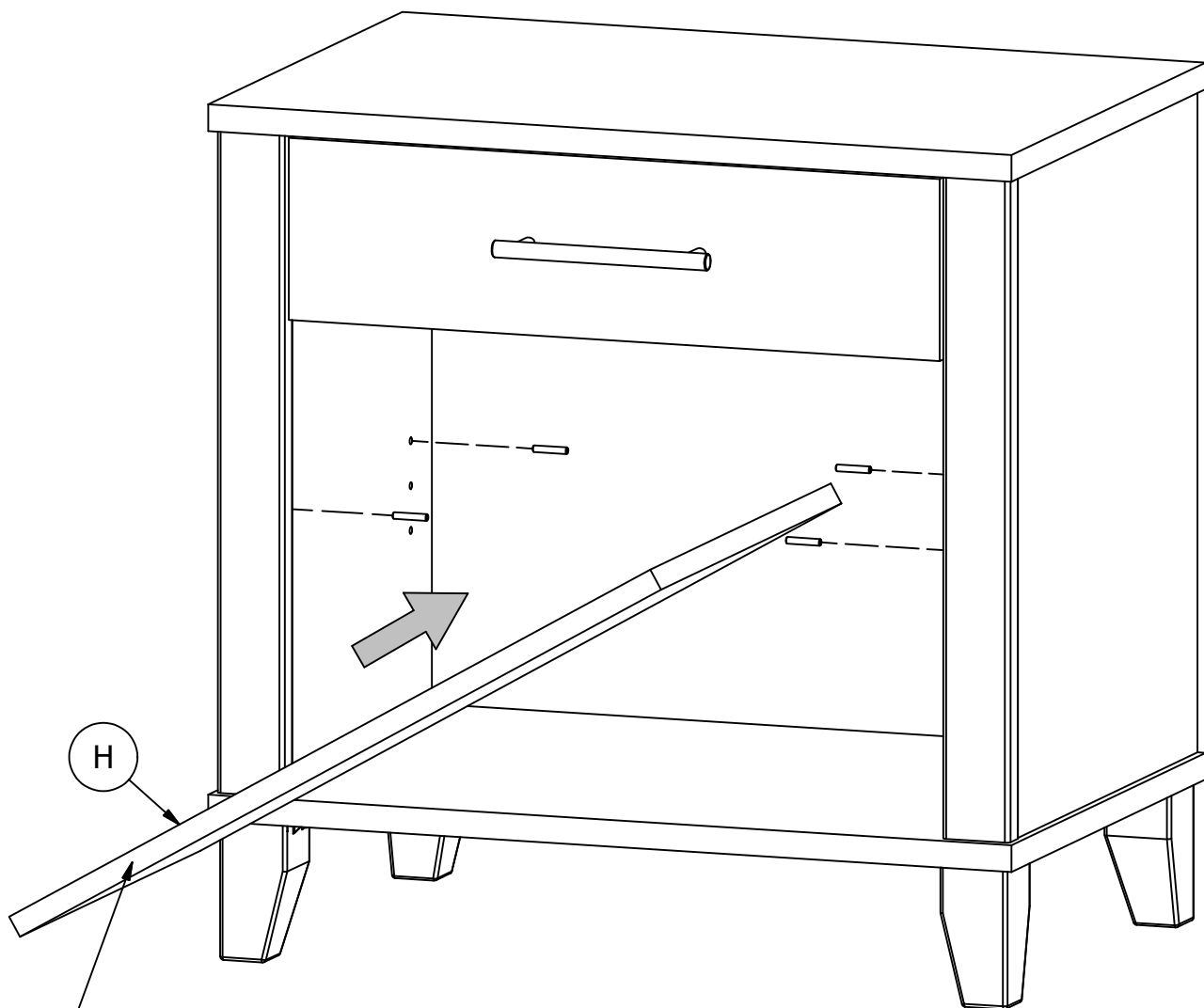
Have an assembly question or need a replacement part? Just call **1-800-950-4782**, we are here to help.

H23604



[4]

Shelf Pin



H

Finished edge
Borde acabado
Bord fini

Have an assembly question or need a replacement part? Just call
1-800-950-4782, we are here to help.

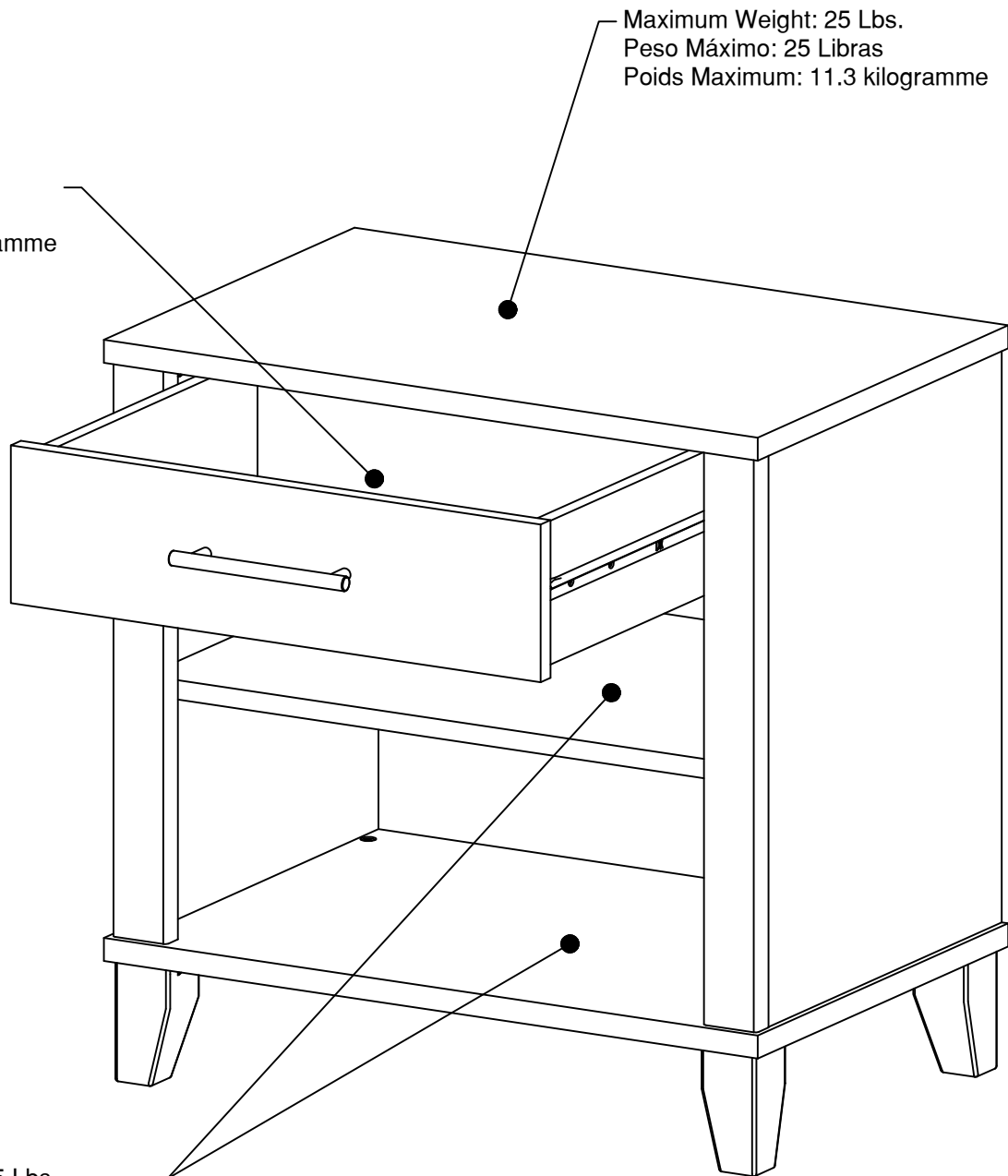
Scan QR Code to Watch Video on:



How to Clean the Surface

Gently clean surfaces with a damp sponge eraser.

Maximum Weight: 5 Lbs.
Peso Máximo: 5 Libras
Poids Maximum: 2.2 kilogramme



Maximum Weight: 25 Lbs.
Peso Máximo: 25 Libras
Poids Maximum: 11.3 kilogramme

Maximum Weight: 15 Lbs.
Peso Máximo: 15 Libras
Poids Maximum: 6.8 kilogramme

Congratulations! You are all done. If you have any questions or concerns, please call.

Have an assembly question or need a replacement part? Just call **1-800-950-4782**, we are here to help.

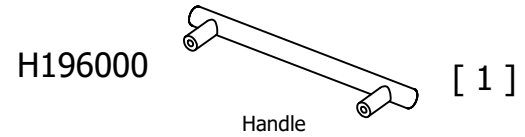
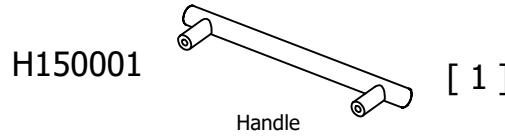
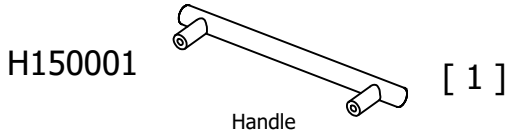
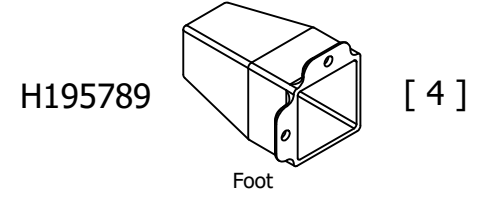
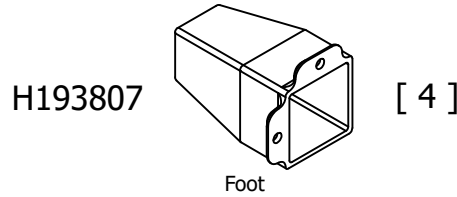
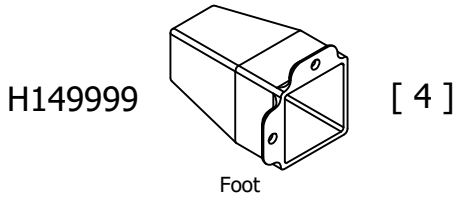
PARTS LIST

A183837D

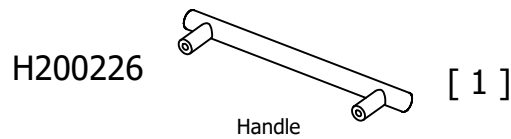
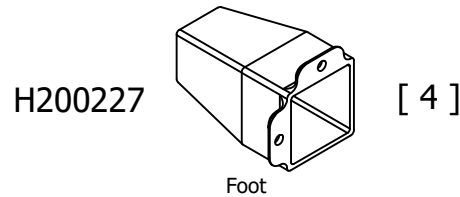
STS119AG		
LABEL	PART NUMBER	QTY
A	W191065	1
B	W191345	1
C	W191346	1
D	W183833	1
E	W183834	1
F	W183832	2
G	W200198	1
H	W183835	1
K	W184207US	2
L	W107108	2
M	W196594	1
N	W184272	1

STS119SG		
LABEL	PART NUMBER	QTY
A	W196182	1
B	W196183	1
C	W196184	1
D	W196185	1
E	W196186	1
F	W196187	2
G	W196188	1
H	W196189	1
K	W184207US	2
L	W107108	2
M	W196594	1
N	W184272	1

STS119PG		
LABEL	PART NUMBER	QTY
A	W206616	1
B	W206617	1
C	W206618	1
D	W206619	1
E	W206620	1
F	W206621	2
G	W206622	1
H	W206623	1
K	W184207US	2
L	W107108	2
M	W196594	1
N	W184272	1



STS119FW		
LABEL	PART NUMBER	QTY
A	W206608	1
B	W206609	1
C	W206610	1
D	W206611	1
E	W206612	1
F	W206613	2
G	W206614	1
H	W206615	1
K	W184207US	2
L	W107108	2
M	W196594	1
N	W184272	1



Have an assembly question or need a replacement part? Just call
1-800-950-4782, we are here to help.