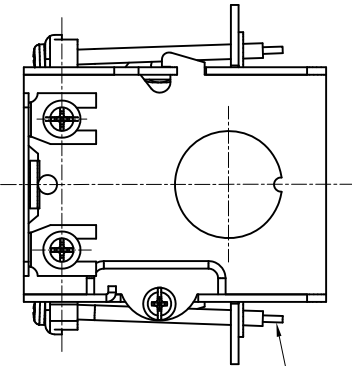
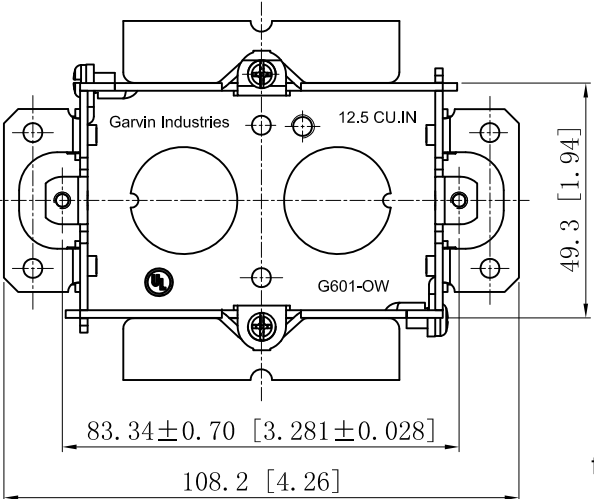
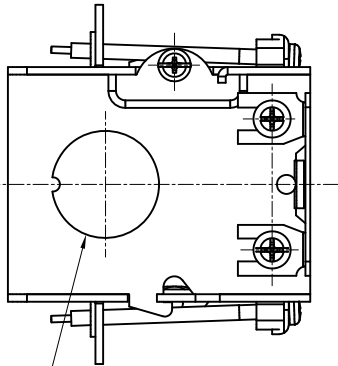
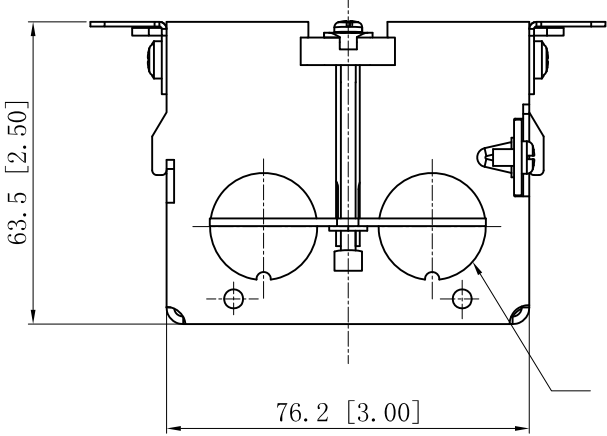
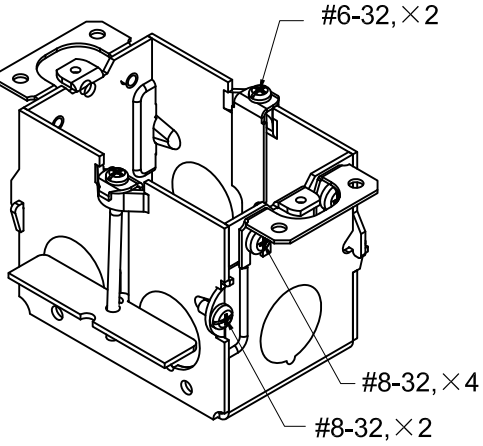


| SIDES | BOTTOM |
|--|------------------|
| 6 1/2" KNOCKOUTS | 2 1/2" KNOCKOUTS |
| 2pcs #8-32×1/4 zinc plated | |
| 4pcs #8-32×3/16 zinc plated | |
| 2pcs #6-32×1 7/8 zinc plated | |
| Material: Steel-0.0625"-G60 Galvanized | |



End of screws to be flattened to prevent pull-out

2 1/2" KNOCKOUTS $\phi = 22.50 [\phi = 0.886]$
MIRROR



4 1/2" KNOCKOUTS $\phi = 22.50 [\phi = 0.886]$
MIRROR

This data sheet is for reference only. GARVIN INDUSTRIES reserves the right to make changes to the design without prior notice.

| |
|-----------------------|
| DESCRIPTION |
| |
| TRADE REFERENCE TERMS |
| |

| | | | |
|------------------|--------------------------|---------|-----|
| STANDARD PACKING | GARVIN INDUSTRIES | | |
| | 2-1/2" DEEP SWITCH BOXES | | |
| 50 PCS | SIZE | DWG NO. | REV |
| | A4 | G601-OW | B |
| DATA SHEET | | | |