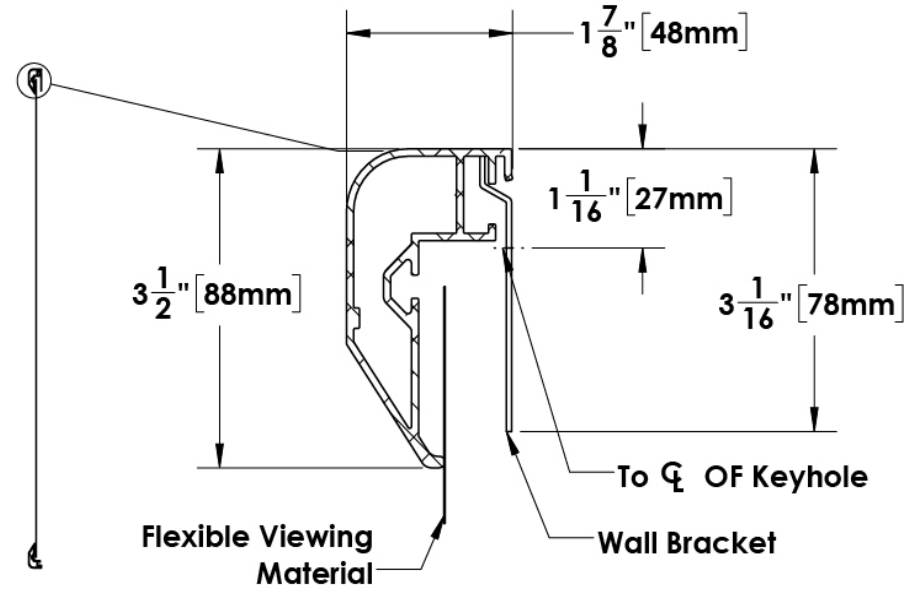
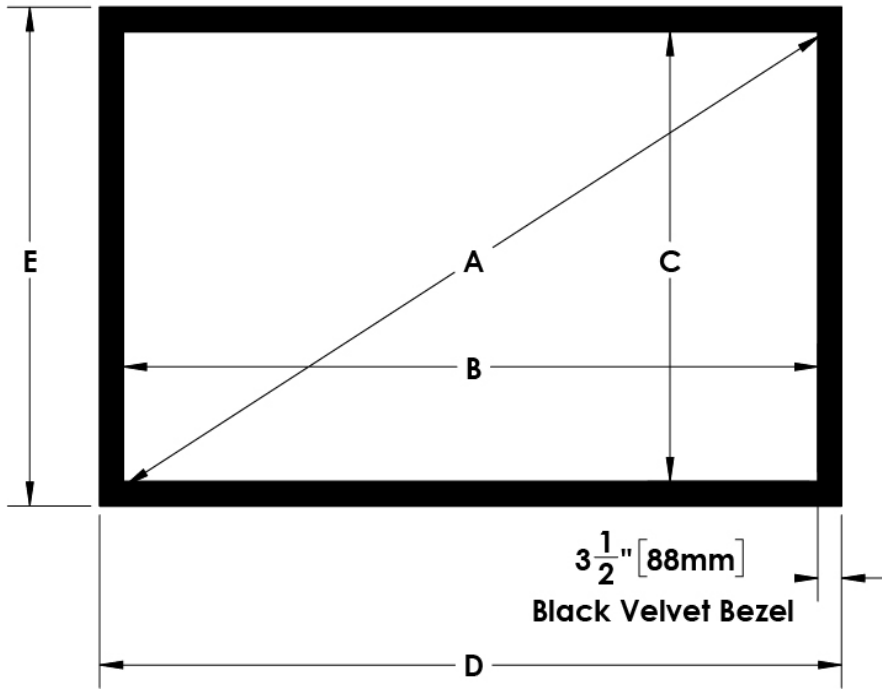




Model No: 5TF133SL12AT
 Aspect Ratio: 16:9
 Material: Slate AT 1.2
 Retail: \$5,024.25

x _____
 Acceptance Signature _____ Date _____
 Quote good for 60 days from 5-25-2021. Shipping not included in quoted price. All Motorized screen sales are final. Returns or exchanges will not be accepted.



Measurements

Diagonal	A	133.0000"
Width	B	115.9375"
Height	C	65.1875"
Total Width	D	123.1875"
Max Height	E	72.4375"

Shipping Dims

Ship Length	132"
Ship Width	13"
Ship Height	13"
Ship Weight	68 lbs.

Options

Number of Mounting Brackets: 2
 Crate: No
 Curved?: No

Shipping weights & dims are for freight estimating purposes only. Additions to the order eg. accessories may effect actual weights & dims at time of order.