

Sentinel Mark II® Pressure Balance Valve Trim

FEATURES:

- Metal lever handles
- Metal trim plate
- Includes mounting plate and hardware

VALVE OPTIONS:

- CPV-3000: Speakman Pressure Balance Valve
- CPV-3000-IS: Speakman Pressure Balance Valve

STOCK FINISH:



PC

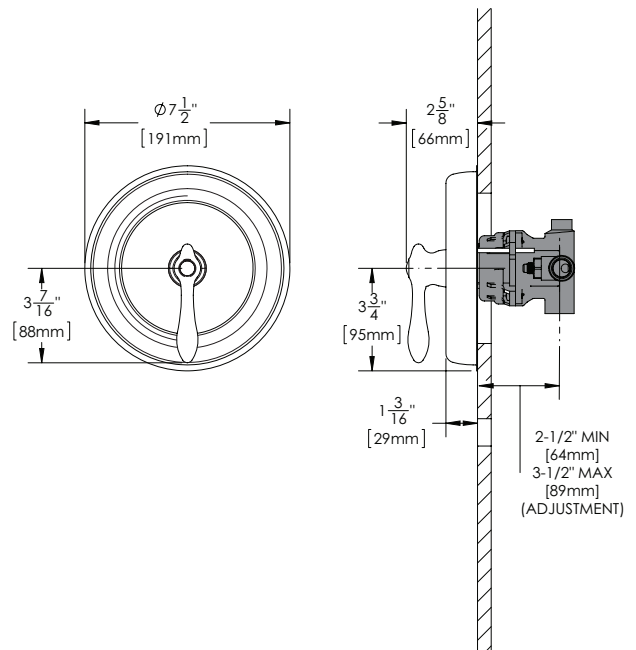
STANDARDS:

- ASME A112.18.1/CSA B125.1 certified
- ADA compliant

WARRANTY:

Visit www.speakman.com for full product warranty information

- Limited Lifetime Warranty (consumer)
- 5 Year Limited Warranty (commercial)



All dimensions are in inches (millimeters) unless otherwise specified and are subject to change without notice.

Architect/Engineer Approval Space:

P: 800-537-2107
 F: 800-977-2747
 W: WWW.SPEAKMAN.COM
 R: 01-MAY 2022