

AXOR Montreux
Thermostatic Trim with Volume Control and Diverter
 Finishes : **brushed nickel** Part no. : **16821821**



Description

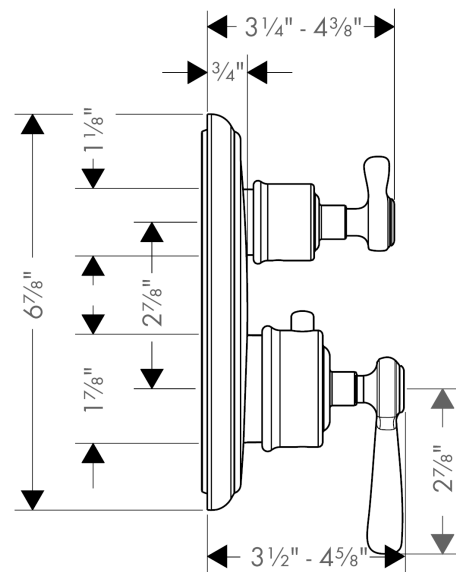
Features

- Volume control and diverter for 2 outlets
- Flow: 7.0 GPM (26.5 L/Min)
- Thermostatic cartridge, Shut-off/ diverter valve
- Anti-scald 100° safety stop

Product image



Scale drawing

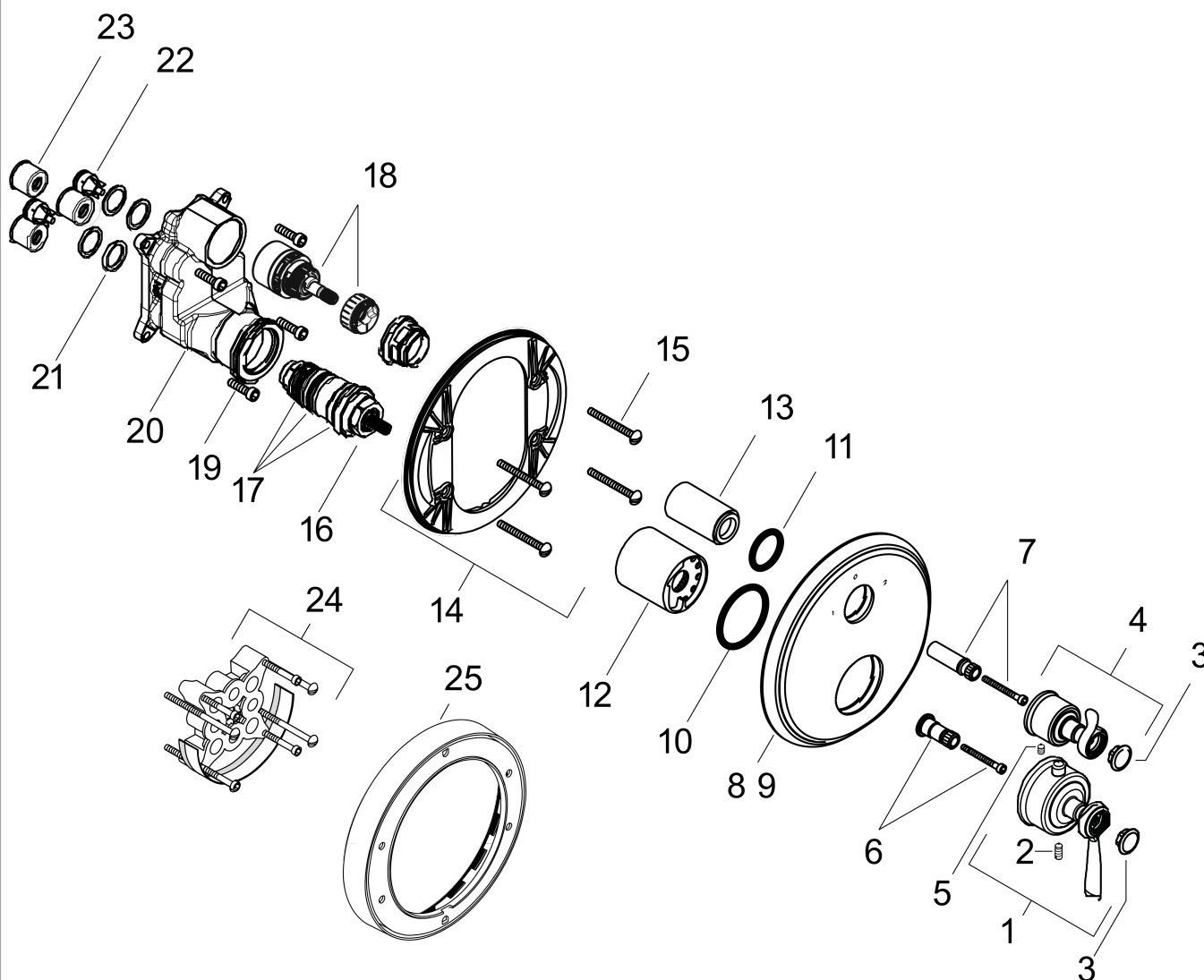


AXOR Montreux
Thermostatic Trim with Volume Control and Diverter
Finishes : **brushed nickel** Part no. : **16821821**



Exploded drawing

Year of production: >08/13



AXOR Montreux
Thermostatic Trim with Volume Control and Diverter
 Finishes : **brushed nickel** Part no. : **16821821**



Spare parts list

Year of production: >08/13

Pos.	Description	Part no.	PC	PU
1	handle for thermostat	16694821	0	1
2	hollow set screw M5x16	97666000	0	1
3	cover cap	95991000	0	1
4	handle	98637820	0	1
5	hollow set screw M4x8	97669000	0	1
6	adapter for handle	96435000	0	1
7	adapter for handle	96451000	0	1
8	escutcheon	98638820	0	1
9	escutcheon for exchanged connections	95829000	0	1
10	O-Ring 48x3	95508000	0	1
11	O-ring 29x3	98371000	0	1
12	sleeve	96446820	0	1
13	sleeve	96439820	0	1
14	sub plate	96447000	0	1
15	set of fixing screws	96454000	0	1
16	thermostat cartridge	94282000	0	1
17	sealing set	95037000	0	1
18	shut off unit with selector	98283000	0	1
19	set of screws	96525000	0	1
20	installation unit cpl.	92592000	0	1
21	O-ring 16x2	98133000	0	1
22	set of non return valves DW 15	97350000	0	1
23	noise reduction	94073000	0	1
24	extension 25 mm	13595000	0	1
25	extension 22 mm (Ø 170 mm)	13596820	0	1