

# 1506-081 SECONDARY KEYPAD

The 1506-081 secondary keypad is designed to work with the 1504/1506 series keypad entry devices. When connected to a 1504/1506 keypad, the secondary keypad provides momentary, continuous, and restricted entry codes to be accessed from a **second location**, and is typically installed on the inside of a door or gate area.

**DO NOT** mount the 1506-081 secondary keypad to a moving gate, or immediately next to a gate panel or pedestrian gate. Continuous vibration from slamming gates and vibration can cause damage to the system over time.

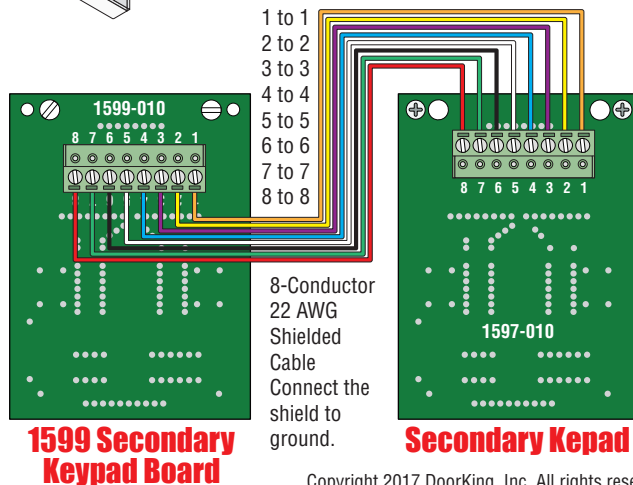
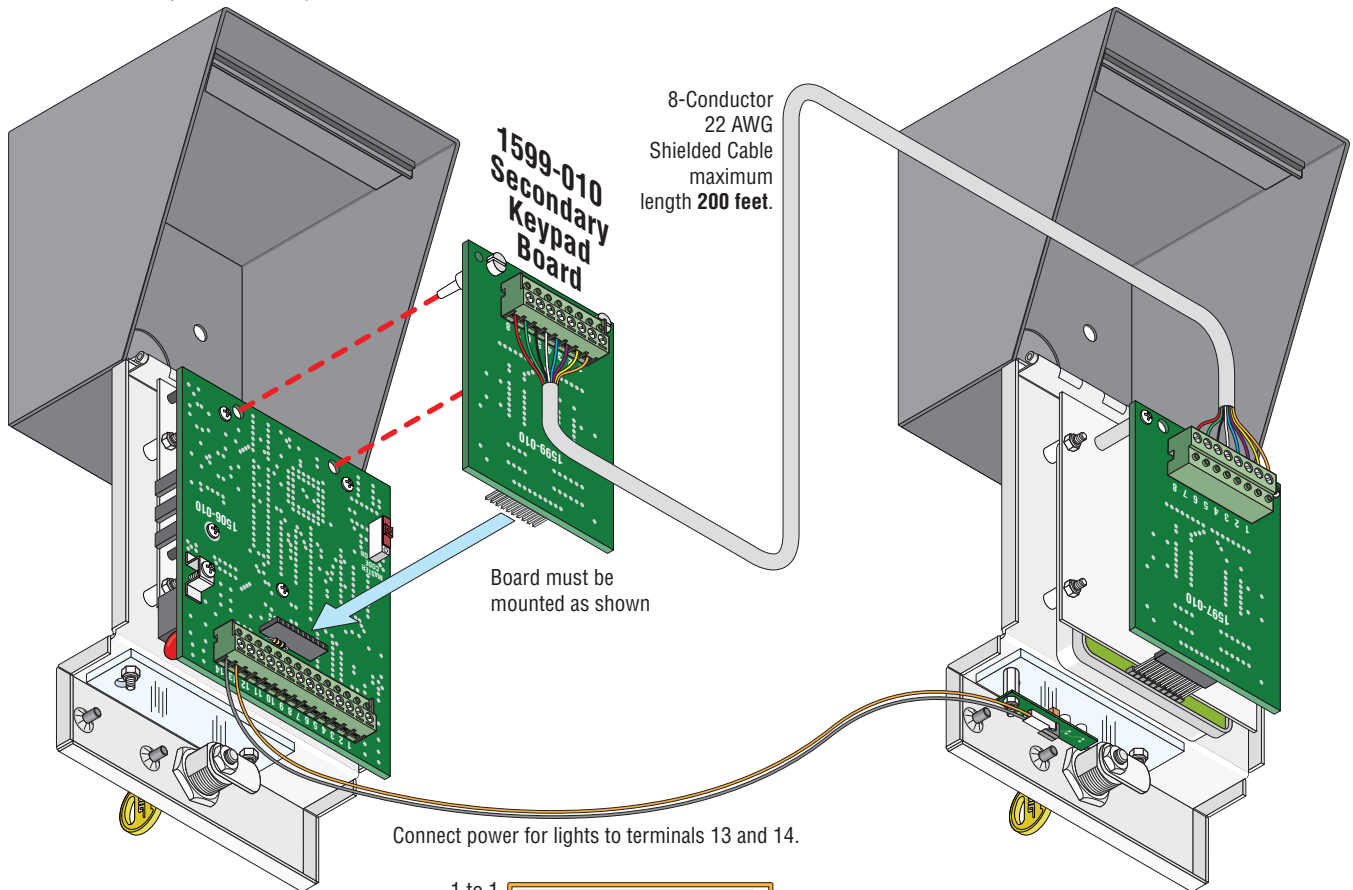
**WARNING!** If the keypad is used to activate a vehicular gate operator, it must be mounted a minimum of 6 feet away from the gate and gate operator, or in such a way that the user cannot come into contact with the gate or gate operator while using the device.

## Installation

### 1504/1506 Keypad Entry Device

(Sold Separately)

### Secondary Keypad



**Note:** The secondary keypad has **NO** relays! Valid entry codes entered on the secondary keypad will activate the relays in the 1504/1506 keypad.