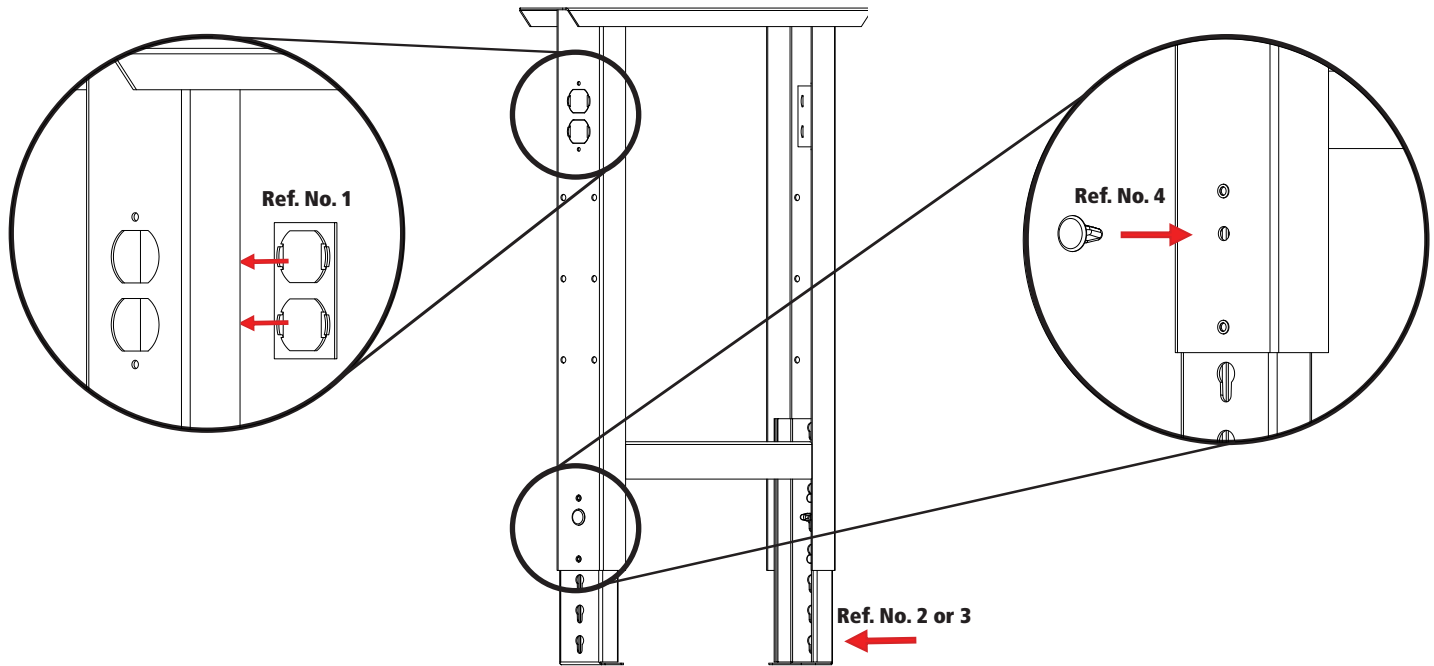
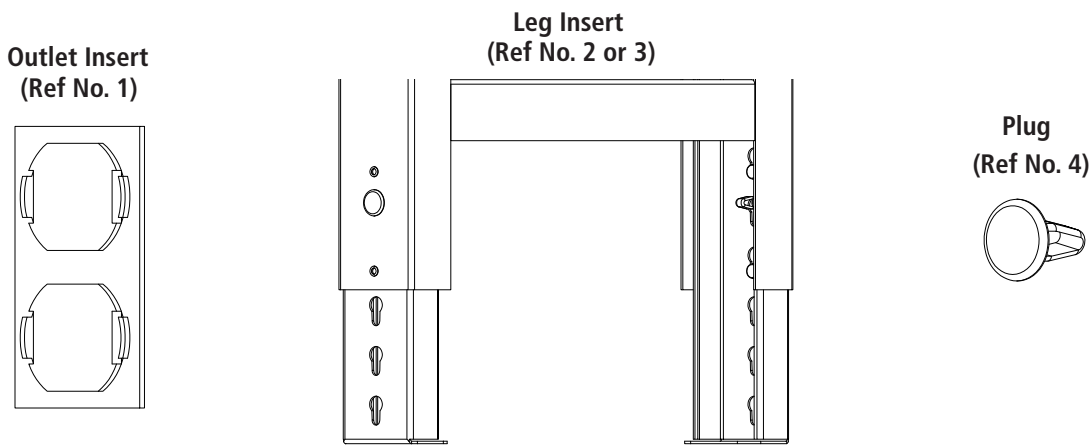


**Electrical Outlet Filler For Adjustable Workbench Legs**

1. Install outlet insert (Ref. No. 1) into the adjustable leg from the inside of the leg channel, as shown.
2. Adjust the leg insert (Ref. No. 2 or 3) to the desired height. Insert the plug (Ref. No. 4) from the outside of the leg channel to securely lock the leg in place. Repeat same step on other side, as shown.



**REPLACEMENT PARTS**



REF. NO.	DESCRIPTION	PART NO.	32" High QTY.	42" High QTY.
1	Outlet Insert	OI-1	2	2
2	Leg Insert	ALFI-1	2	
3	Leg Insert	ALFI-2		2
4	Plug	ALPLUG	2	2

**Tennsco makes every effort to ensure that all units ship complete with all parts and arrive undamaged. However, should your unit contain missing or damaged parts, please contact your purchase location.**