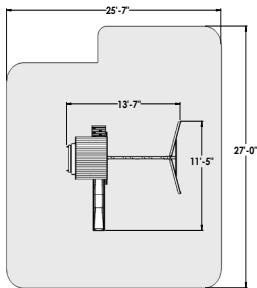


# BROOKSVILLE – F24915C

## INSTALLATION AND OPERATING INSTRUCTIONS



### **!WARNING**

To reduce the risk of serious injury or death, you must read and follow these instructions. Keep and refer to these instructions often and give them to any future owner of this play system.

Manufacturer contact information provided below.

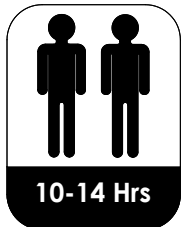
OBSTACLE FREE SAFETY ZONE - **25'7" x 27'** area requires Protective Surfacing. See page 3.

MAXIMUM VERTICAL FALL HEIGHT - **6'9"**

CAPACITY - **10 Users Maximum, Ages 3 to 10; Weight Limit 110 lbs. (49.9 kg)** per child.

RESIDENTIAL HOME USE ONLY. Not intended for public areas such as schools, churches, nurseries, day cares or parks.

FORT



Two person assembly



### Solowave Design

375 Sligo Rd. West, PO Box 10  
Mount Forest, ON Canada N0G 2L0

### General Inquiries:

8:00am - 4:30pm EST  
Toll Free: **1-877-966-3738**  
support@solowavedesign.com

### Table of Contents

|  |            |
|--|------------|
| Warnings and Safe Play Instructions..... | pg. 2      |
| Protective Surfacing Guidelines.....     | pg. 3      |
| Instructions for Proper Maintenance..... | pg. 4      |
| About Our Wood – Limited Warranty.....   | pg. 5      |
| Keys to Assembly Success .....           | pg. 6      |
| Metric Conversion Sheets .....           | pg. 7,8    |
| Part ID .....                            | pg. 9      |
| Step by Step Instruction .....           | pg. 13-44  |
| Installation of I.D./Warning Plaque..... | Final Step |

# Warnings and Safe Play Instructions



**CONTINUOUS ADULT SUPERVISION REQUIRED.** Most serious injuries and deaths on playground equipment have occurred while children were unsupervised! Our products are designed to meet mandatory and voluntary safety standards. Complying with all warnings and recommendations in these instructions will reduce the risk of serious or fatal injury to children using this play system. Go over the warnings and safe play instructions regularly with your children and make certain that they understand and follow them. Remember on-site adult supervision is required for children of all ages.



## WARNING

### SERIOUS HEAD INJURY HAZARD

Installation over concrete, asphalt, dirt, grass, carpet and other hard surface creates a risk of serious injury or death from falls to the ground. Install and maintain shock absorbing material under and around play-set as recommended on page 3 of these instructions.

### COLLISION HAZARD

Place play-set on level ground at least 6 feet from any obstruction such as a garage or house, fences, poles, trees, sidewalks, walls, landscape timbers, rocks, pavement, planters, garden borders, overhanging branches, laundry lines, and electrical wires. (See OBSTACLE FREE SAFETY ZONE on cover)

### CHOKING HAZARD/SHARP EDGES & POINTS

Adult assembly required. This product contains small parts and parts with sharp edges and points. Keep parts away from children until fully assembled.

### WARNING LABEL

Owners shall be responsible for maintaining the legibility of the warning labels.

### STRANGULATION HAZARD

- NEVER allow children to play with ropes, clotheslines, pet leashes, cables, chains or cord-like items when using this play-set or to attach these items to play-set.
- NEVER allow children to wear loose fitting clothing, ponchos, hoods, scarves, capes, necklaces, items with draw-strings, cords or ties when using this play-set.
- NEVER allow children to wear bike or sport helmets when using this play-set.

Failure to prohibit these items, even helmets with chin straps, increases the risk of serious injury and death to children from entanglement and strangulation.

### TIP OVER HAZARD

Choose a level location for the equipment. This can reduce the likelihood of the play set tipping over and loose-fill surfacing materials washing away during heavy rains.

DO NOT allow children to play on the play-set until the assembly is complete and the unit is properly anchored.



## WARNING – Safe Play Instructions

- ✓ Observe capacity limitations of your play-set. See front cover.
- ✓ Dress children with well fitting and full foot enclosing footwear.
- ✓ Teach children to sit with their full weight in the center of the swing seat to prevent erratic swing motion or falling off.
- ✓ Check for splintered, broken or cracked wood; missing, loose, or sharp edged hardware. Replace, tighten and or sand smooth as required prior to playing.
- ✓ Verify that suspended climbing ropes, rope ladders, chain or cable are secured at both ends and cannot be looped back on itself as to create an entanglement hazard.
- ✓ On sunny and or hot days, check the slide and other plastic rides to assure that they are not very hot as to cause burns. Cool hot slide and rides with water and wipe dry prior to using.
- ✗ Do not allow children to wear open toe or heel footwear like sandals, flip-flops or clogs.
- ✗ Do not allow children to walk, in front, between, behind or close to moving rides.
- ✗ Do not let children twist swing chains or ropes or loop them over the top support bar. This may reduce the strength of the chain or rope and cause premature failure.
- ✗ Do not let children get off rides while they are in motion.
- ✗ Do not permit climbing on equipment when it is wet.
- ✗ Do not permit rough play or use of equipment in a manner for which it was not intended. Standing on or jumping from the roof, elevated platforms, swings, climbers, ladders or slide can be dangerous.
- ✗ Do not allow children to swing empty rides or seats.
- ✗ Do not allow children to go down slide head first or run up slide.

# ⚠️ Protective Surfacing - Reducing Risk of Serious Head Injury From Falls

One of the most important things you can do to reduce the likelihood of serious head injuries is to install shock-absorbing protective surfacing under and around your play equipment. The protective surfacing should be applied to a depth that is suitable for the equipment height in accordance with ASTM F1292. There are different types of surfacing to choose from; whichever product you select, follow these guidelines:

## Loose-Fill Materials

- Maintain a minimum depth of 9 inches of loose-fill materials such as wood mulch/chips, engineered wood fiber (EWF), or shredded/recycled rubber mulch for equipment up to 8 feet high; and 9 inches of sand or pea gravel for equipment up to 5 feet high. NOTE: An initial fill level of 12 inches will compress to about a 9-inch depth of surfacing over time. The surfacing will also compact, displace, and settle, and should be periodically raked and refilled to maintain at least a 9-inch depth.
- Use a minimum of 6 inches of protective surfacing for play equipment less than 4 feet in height. If maintained properly, this should be adequate. (At depths less than 6 inches, the protective material is too easily displaced or compacted.)

NOTE: Do not install home playground equipment over concrete, asphalt, or any other hard surface. A fall onto a hard surface can result in serious injury to the equipment user. Grass and dirt are not considered protective surfacing because wear and environmental factors can reduce their shock absorbing effectiveness. Carpeting and thin mats are not adequate protective surfacing. Ground level equipment -- such as a sandbox, activity wall, playhouse or other equipment that has no elevated play surface -- does not need any protective surfacing.

- Use containment, such as digging out around the perimeter and/or lining the perimeter with landscape edging. Don't forget to account for water drainage.
- Periodically rake, check and maintain the depth of the loose-fill surfacing material. Marking the correct depth on the play equipment support posts will help you to see when the material has settled and needs to be raked and or replenished. Be sure to rake and evenly redistribute the surfacing in heavily used areas.
- Do not install loose fill surfacing over hard surfaces such as concrete or asphalt.

## Poured-In-Place Surfaces or Pre-Manufactured Rubber Tiles

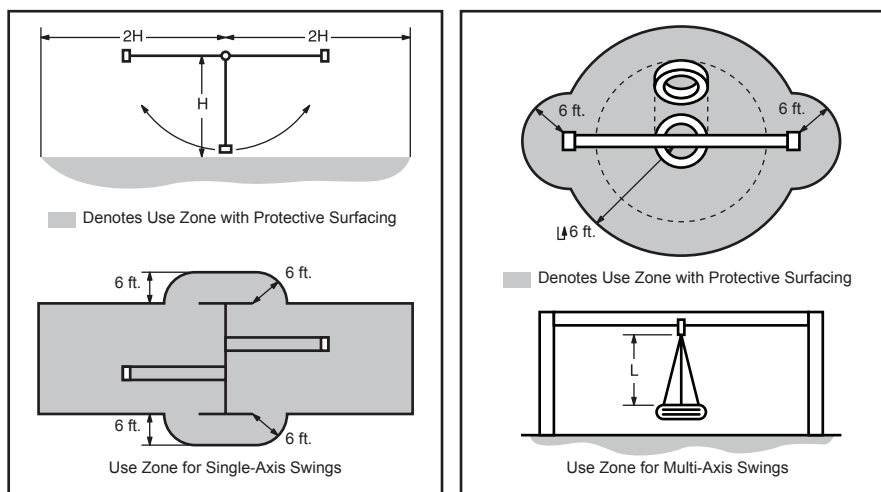
You may be interested in using surfacing other than loose-fill materials - like rubber tiles or poured-in-place surfaces.

- Installations of these surfaces generally require a professional and are not "do-it yourself" projects.
- Review surface specifications before purchasing this type of surfacing. Ask the installer/manufacturer for a report showing that the product has been tested to the following safety standard: ASTM F1292 *Standard Specification for Impact Attenuation of Surfacing Materials within the Use Zone of Playground Equipment*. This report should show the specific height for which the surface is intended to protect against serious head injury. This height should be equal to or greater than the fall height - vertical distance between a designated play surface (*elevated surface for standing, sitting, or climbing*) and the protective surfacing below - of your play equipment.
- Check the protective surfacing frequently for wear.

## Placement

Proper placement and maintenance of protective surfacing is essential. Refer to diagram on Fort Guides. Be sure to;

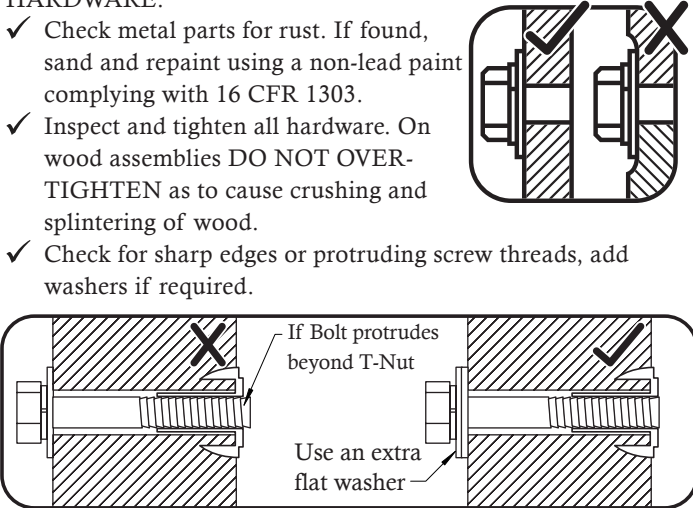
- Extend surfacing at least 6 feet from the equipment in all directions.
- For to-fro swings, extend protective surfacing in front of and behind the swing to a distance equal to twice the height of the top bar from which the swing is suspended.
- For tire swings, extend surfacing in a circle whose radius is equal to the height of the suspending chain or rope, plus 6 feet in all directions.



# Instructions for Proper Maintenance

Your Big Backyard Play System is designed and constructed of quality materials with your child's safety in mind. As with all outdoor products used by children, it will weather and wear. To maximize the enjoyment, safety and life of your Play Set, it is important that you, the owner, properly maintain it.

## Check the following at the beginning of the play season:

|  |   |
|--|---|
| <p><b>HARDWARE:</b></p> <ul style="list-style-type: none"> <li>✓ Check metal parts for rust. If found, sand and repaint using a non-lead paint complying with 16 CFR 1303.</li> <li>✓ Inspect and tighten all hardware. On wood assemblies <b>DO NOT OVER-TIGHTEN</b> as to cause crushing and splintering of wood.</li> <li>✓ Check for sharp edges or protruding screw threads, add washers if required.</li> </ul>  <p>If Bolt protrudes beyond T-Nut</p> <p>Use an extra flat washer</p> <p><b>SHOCK ABSORBING SURFACING:</b></p> <ul style="list-style-type: none"> <li>✓ Check for foreign objects. Rake and check depth of loose fill protective surfacing materials to prevent compaction and maintain appropriate depth. Replace as necessary. (See Protective Surfacing, page 3)</li> </ul> | <p><b>GROUND STAKES (ANCHORS):</b></p> <ul style="list-style-type: none"> <li>✓ Check for looseness, damage or deterioration. Should firmly anchor unit to ground during use. Re-secure and or replace, if necessary.</li> </ul> <p><b>SWING HANGERS:</b></p> <ul style="list-style-type: none"> <li>✓ Check that bolts are secure and tight. Quick clips should be completely closed and threaded clips screwed tight.</li> <li>✓ If squeaking occurs lubricate bushings with oil or WD-40®.</li> </ul> <p><b>SWINGS, ROPES AND RIDES:</b></p> <ul style="list-style-type: none"> <li>✓ Reinstall if removed during cold season. Check all moving parts including swing seats, ropes, chains and attachments for wear, rust and other deterioration. Replace as needed.</li> <li>✓ Check that ropes are tight, secure at both ends and cannot loop back as to create an entrapment.</li> </ul> <p><b>WOOD PARTS:</b></p> <ul style="list-style-type: none"> <li>✓ Check all wood members for deterioration, structural damage and splintering. Sand down splinters and replace deteriorated wood members. As with all wood, some checking and small cracks in grain is normal.</li> <li>✓ Applying a water repellent or stain (water-based) on a yearly basis is important maintenance to maintain maximum life and performance of the product.</li> </ul> |
|--|---|

## Check twice a month during play season:

|   |   |
|---|---|
| <p><b>HARDWARE:</b></p> <ul style="list-style-type: none"> <li>✓ Inspect for tightness. Must be firmly against, but not crushing the wood. <b>DO NOT OVER-TIGHTEN.</b> This will cause splintering of wood.</li> <li>✓ Check for sharp edges or protruding screw threads. Add washers if required.</li> </ul> | <p><b>SHOCK ABSORBING SURFACING:</b></p> <ul style="list-style-type: none"> <li>✓ Rake and check depth of loose fill protective surfacing materials to prevent compaction and maintain appropriate depth. Replace as necessary. (See Protective Surfacing, page 3)</li> </ul> |
|---|---|

## Check once a month during play season:

|  |   |
|--|---|
| <p><b>SWING HANGERS:</b></p> <ul style="list-style-type: none"> <li>✓ Check that they are secure and orientated correctly. Hook should rotate freely and perpendicular to support beam.</li> <li>✓ If squeaking occurs lubricate bushings with oil or WD-40®.</li> </ul> | <p><b>SWINGS AND RIDES:</b></p> <ul style="list-style-type: none"> <li>✓ Check swing seats, all ropes, chains and attachments for fraying, wear, excessive corrosion or damage. Replace if structurally damaged or deteriorated.</li> </ul> |
|--|---|

## Check at the end of the play season:

|  |   |
|--|---|
| <p><b>SWINGS AND RIDES:</b></p> <ul style="list-style-type: none"> <li>✓ To prolong their life, remove swings and store inside when outside temperature is below 32°F/0°C. Below freezing, plastic parts may become more brittle.</li> </ul> | <p><b>SHOCK ABSORBING SURFACING:</b></p> <ul style="list-style-type: none"> <li>✓ Rake and check depth of loose fill protective surfacing materials to prevent compaction and maintain appropriate depth. Replace as necessary. (See Protective Surfacing, page 3)</li> </ul> |
|--|---|

**If you dispose of your play set:** Please disassemble and dispose of your unit so that it does not create any unreasonable hazards at the time it is discarded. Be sure to follow your local waste ordinances.



# About Our Wood

Solowave Design™ uses only premium playset lumber, ensuring the safest product for your children's use. Although great care has been taken in selecting the best quality lumber available, wood is a product of nature and susceptible to weathering (changes in the aesthetics of the wood). A light sanding may be required to remove minor splinters. For your information, we have described some changes that may occur as a result of weathering:

1. **Checking** Checks are surface cracks in the wood along the grain. 4" x 4" material will experience more checking than 2", 1-1/4" or 1" material because the surface and interior moisture content will vary more widely than in thinner wood.
2. **Warping** Warping refers to any distortion (twisting, cupping) from the true plane that may take place during weathering.
3. **Fading** Wood exposed to sunlight, will over time, turn a grey color.

Note: The above changes will not affect the strength of the product.

## What causes weathering?

One of the main reasons for weathering is the effects of water (moisture); the moisture content of the wood at the surface is different than the interior of the wood. As the moisture moves in or out of the wood (result of climate changes), the different moisture content causes tension in the wood, which can result in checking and or warping.

## How can I reduce the amount of weathering to my Play System?

At the factory we have added water repellent to the stain. This water repellent decreases the amount of water absorption during rain or snow thus decreasing the tension in the wood. Sunlight will break down the water repellent, applying a water repellent or stain on a yearly basis is important maintenance. (see your local stain and paint supplier for a recommended product) Also if storing the product before installation, make sure you store out of direct sunlight in a cool dry place.

## Will weathering affect the strength of my Play System?

Most weathering is just the normal result of nature and will not affect safe play and enjoyment for your child. However if you are concerned that a part has experienced a severe weathering problem please call our consumer relations department for further assistance.

## Complete and mail registration card to receive important product notifications and assure prompt warranty service.

### 5 Year Limited Warranty

Solowave Design warrants that this product is free from defect in materials and workmanship for a period of one year from the original date of purchase. In addition, lumber is warranted for 5 years against structural failure due to rot and insect damage. All other parts, such as hardware, swings, rides, accessories, and slides carry a one-year warranty only.

This warranty applies to the original owner and registrant and is non-transferable.

Regular maintenance is required to assure the integrity of your Play System. Failure by the owner to maintain the product according to the maintenance requirements may void this warranty. This warranty does not cover any inspection cost.

This Limited Warranty does not cover:

- Labor for replacement of any defective item(s);
- Incidental or consequential damages;
- Cosmetic defects which do not affect performance or integrity;
- Vandalism; improper use or installation; acts of nature;
- Minor twisting, warping, checking, or any other natural occurring properties of wood that do not affect performance or integrity.

Solowave Design products have been designed for safety and quality. Any modifications made to the original product could damage the structural integrity of the unit leading to failure and possible injury. Solowave Design Inc. cannot assume any responsibility for modified products. Furthermore, modification voids any and all warranties.

This product is warranted for **RESIDENTIAL USE ONLY**. Under no circumstance should a Solowave Design Play System be used in public settings such as schools, churches, playgrounds, parks, day cares and the like.

Such use may lead to product failure and potential injury. Any and all public use will void this warranty.

Solowave Design disclaims all other representations and warranties of any kind, express or implied.

This Warranty gives you specific legal rights. You may have other rights as well which vary from state to state or province to province. This warranty excludes all consequential damages, however, some states do not allow the limitation or exclusion of consequential damages, and therefore this limitation may not apply to you.

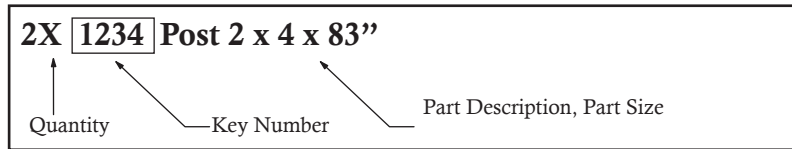
# Keys to Assembly Success

## Tools Required

|  |  |  |  |
|--|--|--|--|
| <ul style="list-style-type: none"> <li>• Tape Measure</li> <li>• Carpenters Level</li> <li>• Carpenters Square</li> <li>• Claw Hammer</li> <li>• Standard or Cordless Drill</li> </ul> | <ul style="list-style-type: none"> <li>• #1, #3 Phillips or Robertson bit or Screwdriver</li> <li>• Ratchet(1/2" &amp; 7/16" sockets)</li> </ul> | <ul style="list-style-type: none"> <li>• Open End Wrench (1/2" &amp; 7/16")</li> <li>• Adjustable Wrench</li> <li>• 1/8" &amp; 3/16" Drill Bits</li> </ul> | <ul style="list-style-type: none"> <li>• 3/16" Hex Key</li> <li>• 8' Step Ladder</li> <li>• Safety Glasses</li> <li>• Adult Helpers</li> <li>• Pencil</li> </ul> |
|--|--|--|--|

## Part Identification Key

On each page, you will find the parts and quantities required to complete the assembly step illustrated on that page. Here is a sample.



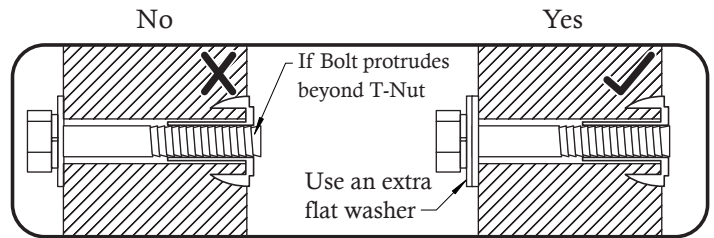
## Symbols

Throughout these instructions symbols are provided as important reminders for proper and safe assembly.

|  |  |
|--|--|
| <p>This identifies information that requires special attention. Improper assembly could lead to an unsafe or dangerous condition.</p>                                | <p>Check that set or assembly is properly level before proceeding.</p> <p>Use Level</p>  |
| <p>Use Help</p> <p>Where this is shown, 2 or 3 people are required to safely complete the step. To avoid injury or damage to the assembly make sure to get help!</p> | <p>Pre-drill 1/8" &amp; 3/16" Bit</p> <p>Pre-drill a pilot hole before fastening screw or lag to prevent splitting of wood.</p>                                    |
| <p>Measure Distance</p> <p>Use a measuring tape to assure proper location.</p>   | <p>Tighten Bolts</p> <p>This indicates time to tighten bolts, but not too tight! Do not crush the wood. This may create splinters and cause structural damage.</p> |
| <p>Square Assembly</p> <p>Check that assembly is square before tightening bolts.</p>   |  |

## CAUTION – Protrusion Hazard

Once the assembly is tightened, watch for exposed threads. If a thread protrudes from the T-Nut, remove the bolt and add washers to eliminate this condition. Extra washers have been provided for this purpose.

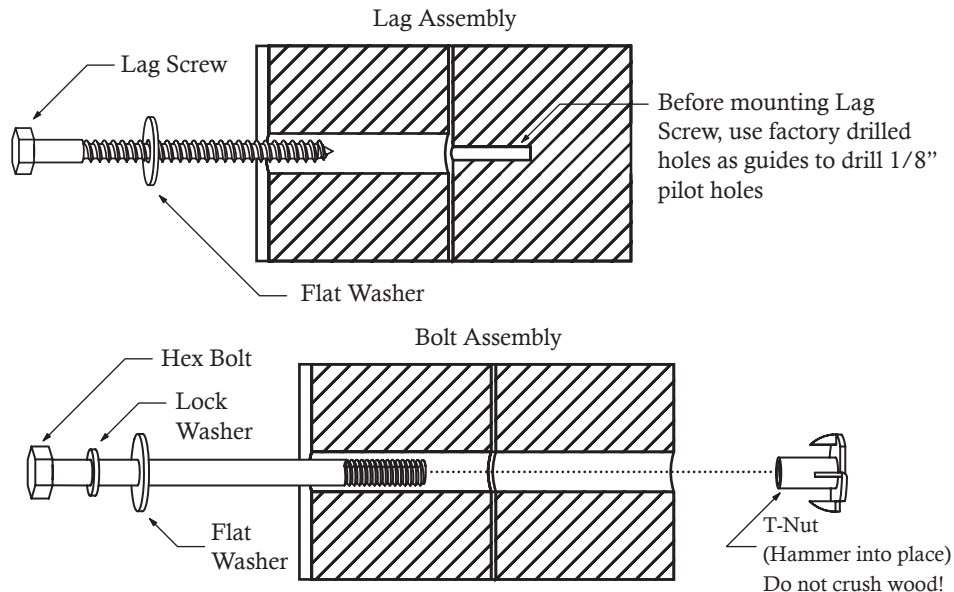


## Proper Hardware Assembly

Lag screws require drilling pilot holes to avoid splitting wood. Only a flat washer is required. For ease of installation liquid soap can be used on all lag-type screws.

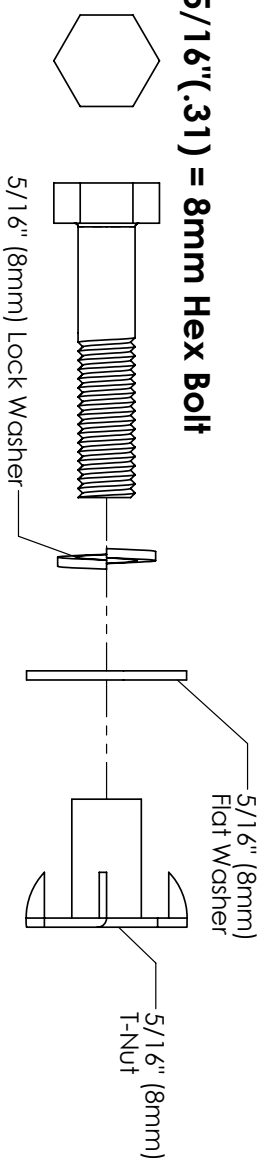
For bolts, tap T-Nut into hole with hammer. Insert the hex bolt through lock washer first then flat washer then hole. Because the assemblies need to be squared do not completely tighten until instructed. Pay close attention to diameter of the bolts. 5/16" is slightly larger than 1/4".

**Note:** Wafer head bolts with blue lock tight or a bolt with a Ny-Lok nut do NOT require a lock washer.

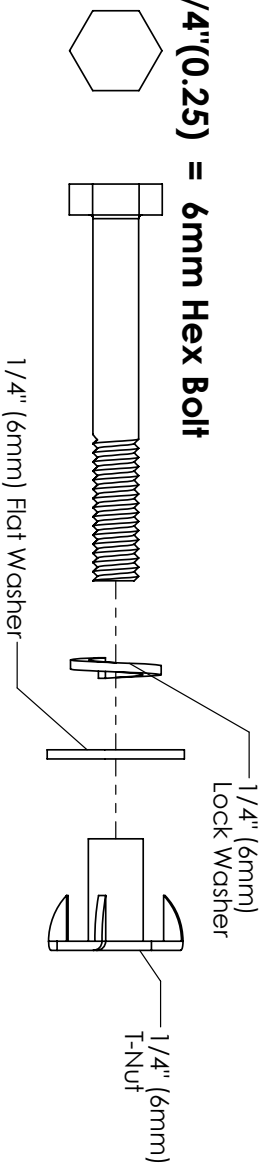


# SOLOWAVE DESIGN HARDWARE

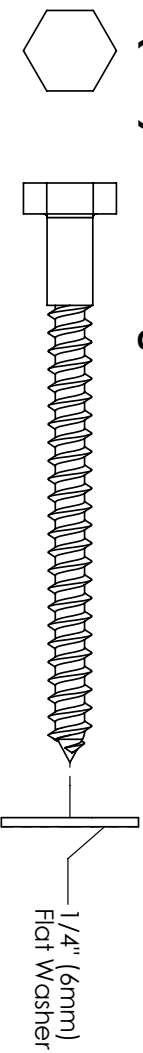
**5/16"(.31) = 8mm Hex Bolt**



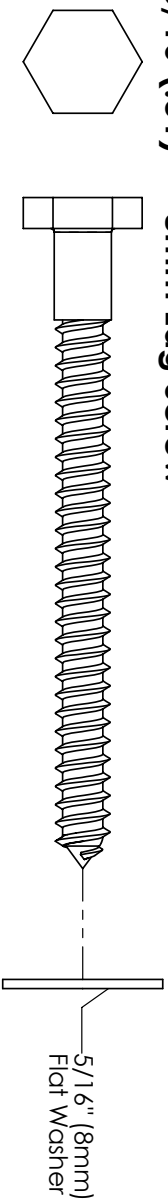
**1/4"(0.25) = 6mm Hex Bolt**



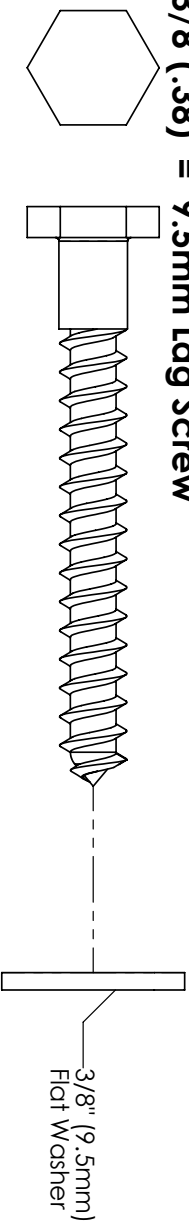
**1/4"(0.25) = 6mm Lag Screw**



**5/16"(.31) = 8mm Lag Screw**



**3/8"(.38) = 9.5mm Lag Screw**



## HARDWARE LENGTH CHART inches vs millimetres

|       |      |
|-------|------|
| 6     | 152  |
| 5½    | 140  |
| 5     | 127  |
| 4½    | 114  |
| 4     | 102  |
| 3½    | 89   |
| 3     | 76   |
| 2½    | 64   |
| 2     | 51   |
| 1½    | 38   |
| 1¼    | 32   |
| 1-1/8 | 29   |
| 1     | 25.4 |
| 7/8   | 22   |
| 3/4   | 19   |
| 1/2   | 12.7 |

### DIAMETER CONVERSION

1 inch = 25.4mm

**For example:**

BOLT DIAMETER 5/16 (0.31) inches

0.31 inches x 25.4mm = 8mm

### LENGTH CONVERSION

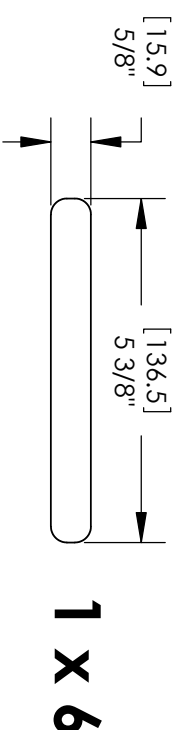
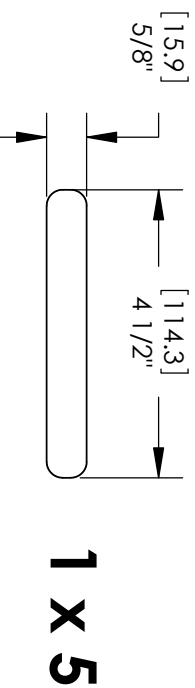
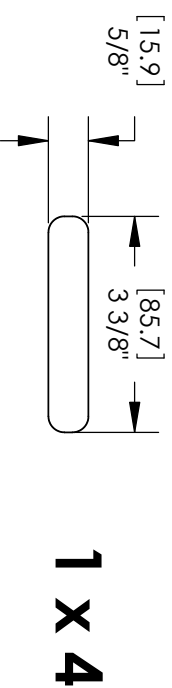
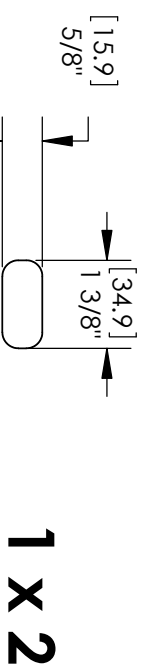
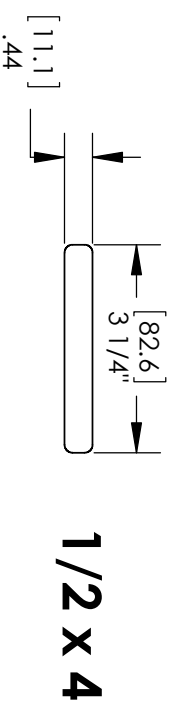
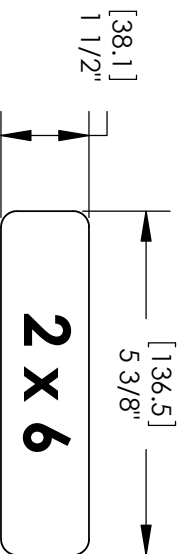
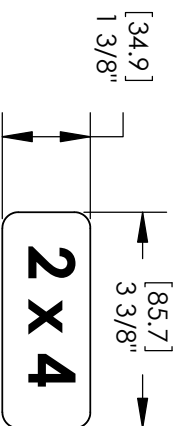
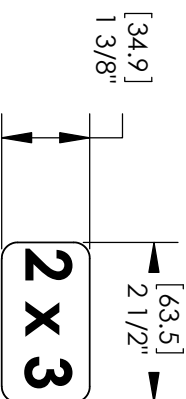
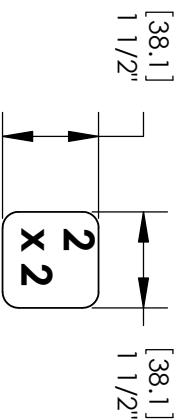
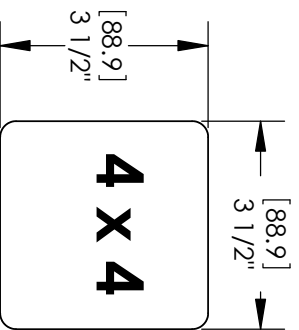
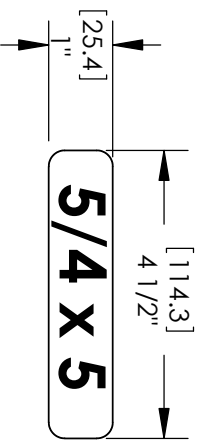
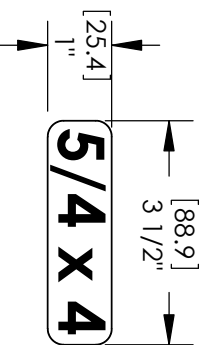
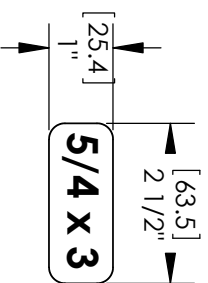
1 inch = 25.4mm

**For example:**

BOLT LENGTH 4½ (4.5) inches long

4.5 inches x 25.4mm = 114mm long

# SOLOWAVE DESIGN WOOD PROFILES



Dimensions in brackets [mm] represent millimetres.

1 inch = 25.4mm

## LENGTH CONVERSION

For example:

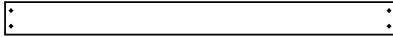
BOARD LENGTH 59 1/4 (59.25) inches  
59.25 inches x 25.4mm = 1505mm



# Part Identification (Reduced Part Size) Box 1,2 of 6

| Nominal Size  | Actual Size   |
|---------------|---------------|
| 5/4 x 5       | 15/16 x 4-1/4 |
| 5/4 x 6       | 15/16 x 5-1/4 |
| 2 x 2         | 1-1/2 x 1-1/2 |
| 1 x 4         | 5/8 x 3-3/8   |
| 1 x 6         | 5/8 x 5-3/8   |
| 1-1/4 x 2-1/4 | 1-1/4 x 2-1/4 |
| 1-1/4 x 3     | 1-1/4 x 3     |
| 4 x 4         | 3 x 3         |
| 4 x 6         | 3 x 5-1/4     |

1pc. - **[2648]** - 1 x 4 x 40-5/8" - Floor Board - **Box 2 - 3632648**



8pc. - **[2609]** - 1 x 5 x 40-5/8" - Floor Board - **Box 2 - 3632609**



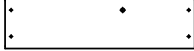
2pc. - **[2605]** - 1 x 6 x 19-3/4" - Access Board - **Box 2 - 3632605**



2pc. - **[2717]** - Clock Block 3/4 x 1-3/4 x 9-3/4" - **Box 2 - 3632717**



2pc. - **[2603]** - 1 x 6 x 19-3/4" - Rock Board A - **Box 2 - 3632603**



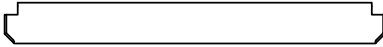
3pc. - **[2604]** - 1 x 6 x 19-3/4" - Rock Board B - **Box 2 - 3632604**



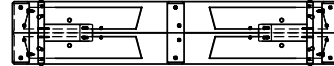
2pc. - **[2606]** - 5/4 x 4 x 14 1/4" - SW Ground - **Box 2 - 3632606**



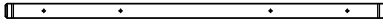
1pc. - **[2611]** - 5/4 x 5 x 39-5/8" - Table Top - **Box 2 - 3632611**



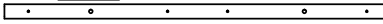
1pc. - **[2658]** - 2-13/32 x 6-3/4 x 34" - Folding Bench - **Box 2 - 37632658**



1pc. - **[2612]** - 2 x 2 x 39-5/8" - Table Support - **Box 2 - 3632612**



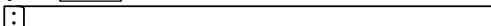
2pc. - **[2610]** - 2 x 2 x 40-1/4" - Side Joist - **Box 2 - 3632610**



4pc. - **[2617]** - 1-1/4 x 2-1/4 x 37-1/2" - Roof Support - **Box 2 - 3632617**



2pc. - **[0349]** - Rock Rail 2 x 3 x 51" - **Box 1 - 3640349**



1pc. - **[2616]** - 5/4 x 4 x 46-1/2" - SW Support - **Box 1 - 3632616**



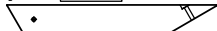
2pc. - **[2646]** - 1-1/4 x 3 x 10" - Roof End - **Box 2 - 3632646**



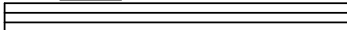
2pc. - **[2647]** - 1-1/4 x 3 x 10" - Roof End Left - **Box 2 - 3632647**



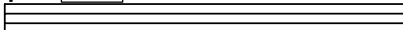
2pc. - **[2607]** - 1-1/4 x 3 x 22" - Diagonal - **Box 2 - 3632607**



1pc. - **[2602]** - Upper Jamb 1 1/4 x 3 x 35-15/16" - **Box 2 - 3632602**



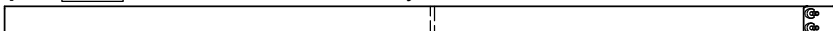
1pc. - **[2601]** - Lower Jamb 1 1/4 x 3 x 41-15/16" - **Box 2 - 3632601**



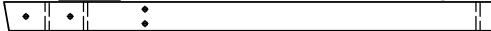
1pc. - **[2608]** - 1-1/4 x 3 x 40-3/4" - Floor Joist - **Box 2 - 3632608**



2pc. - **[2613]** - 2 x 3 x 86-11/16" - Heavy SW Post - **Box 1 - 3632613**



1pc. - **[2615]** - 4 x 4 x 50-15/16" - SW Upright - **Box 1 - 3632615**



1pc. - **[2614]** - 4 x 6 x 88" - Engineered Beam - **Box 1 - 3632614**



2x - Sky Gable (3320212)

1x - Bracket Set (3206303)



1x - Narrow Angle Bracket (3 Pk) (3200640)

1x - Jamb Mount (4 Pk) (3206302)

1x - Base Clock (9320124)

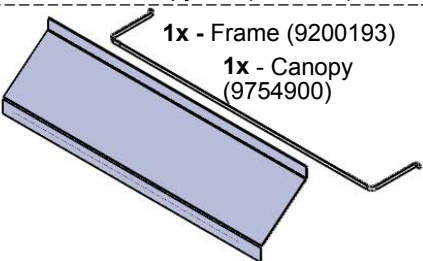


1x - Rocks (5pk) (3320386)



1x - Clock Subset (3320329)

1x - Cafe Canopy Set (3754900)



1x - Frame (9200193)

1x - Canopy (9754900)

2x - Long Belt Swing (3724939) Yellow

1x - Big Backyard ID Plaque (3320356)



1x - Big Backyard Plaque (3320351)

1x - L Beam Brkt. (3200145) (2pk)



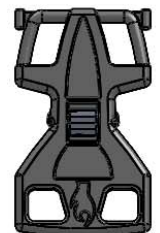
1x - Rebar Ground Stake (6 Pk) (3200318)



1x - Space Glider Body (3320268) Yellow



2x - Space Glider Handle (3320177) Green



1x - Glider Hanger (2pk) (3200105)



1x - Beam Brkt. Left/Right (3200143) (2pk)



1x - Swing Hanger (4 Pk) (3200106)

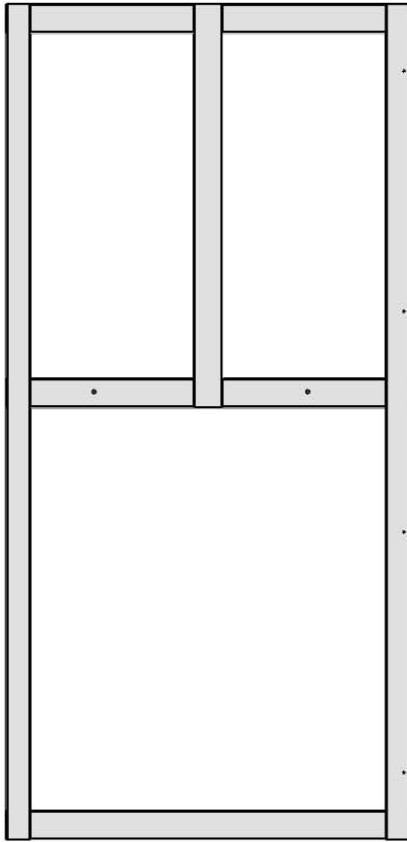


1x - Glider Rope & Chain (4Pk) (3533862)

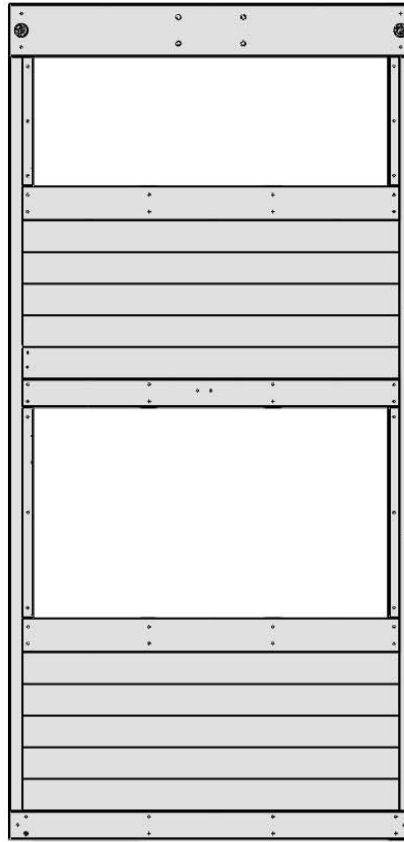


# Part Identification (Reduced Part Size)

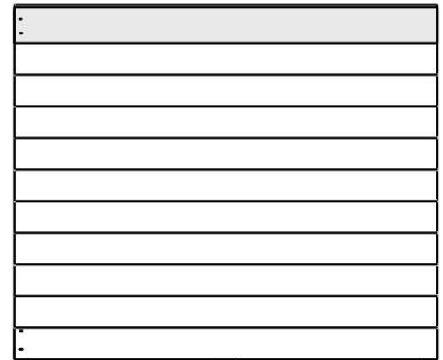
2pc. - **[2618]** Front Back  
Panel 1¼ x 42 x 87"  
Box 2 - 37632618



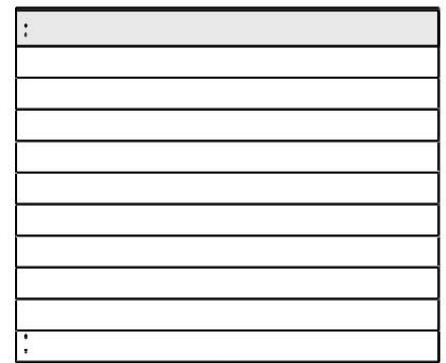
1pc. - **[2627]**  
SW Wall Panel 1¼ x 42 x 87"  
Box 2 - 37632627



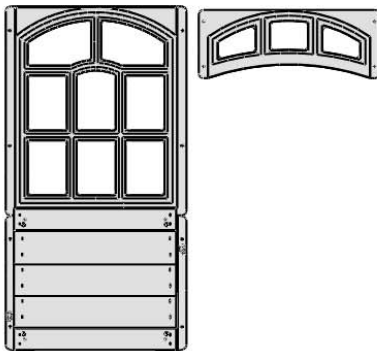
1pc. - **[2639]**  
Back Roof Panel 1¼ x 36¾ x 44"  
Box 2 - 37632639



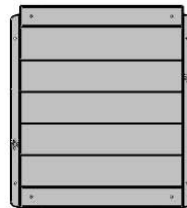
1pc. - **[2644]**  
Front Roof Panel 1¼ x 37 x 44"  
Box 2 - 37632644



2pc. - **[2655]**  
Upper Window Insert  
1.27 x 18.8 x 35.86"  
Box 2 - 37632655

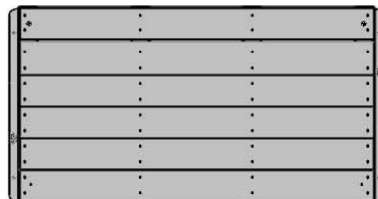


1pc.  
MOD 3 Pane Transom (2Pk)  
Box 1 - 3320138

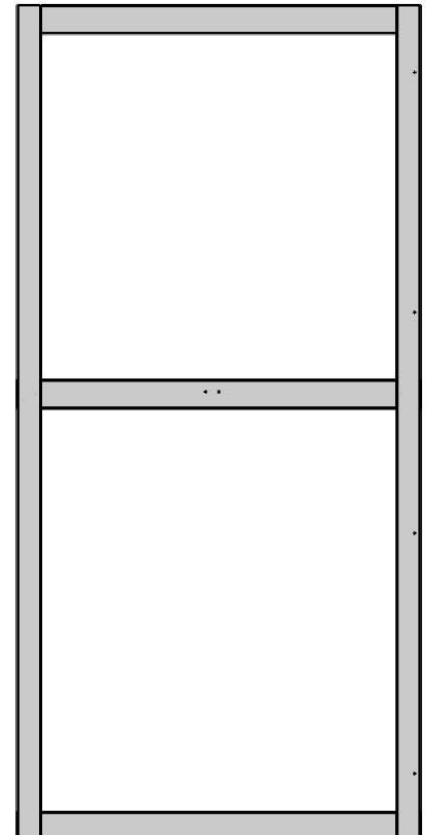


2pc. - **[649A]**  
Short Half Wall - 1.27 x 18.8 x 20-15/16"  
Box 2 - 37632649A

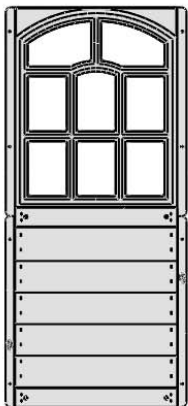
1pc. - **[2665]**  
Half Wall Insert - 1.4 x 20¼ x 38.8"  
Box 2 - 37632665



1pc. - **[2622]**  
End Panel Assembly 1¼ x 42 x 87"  
Box 2 - 37632622

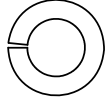


1pc. - **[2649]**  
Lower Window Insert  
1.27 x 18.8 x 41.91"  
Box 2 - 37632649

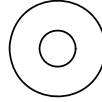


# Hardware Identification (Actual Size)

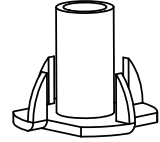
5pc. **LW2** - 5/16" Lock Washer - (51303300)



5pc. **FW0** - 3/16" Flat Washer - (51103100)



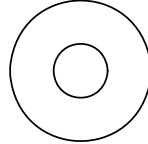
10pc. **TN1** - 1/4" T - Nut (54503200)



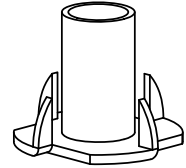
15pc. **LW1** - 1/4" Lock Washer - (51303200)



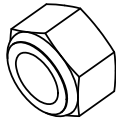
12pc. **FW1** - 1/4" Flat Washer - (51103200)



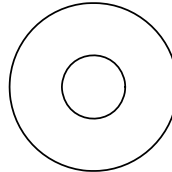
8pc. **TN2** - 5/16" T- Nut - (54503300)



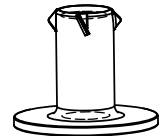
29pc. **LN2** - 5/16" Lock Nut - (54303300)



66pc. **FW2** - 5/16" Flat Washer - (51103300)



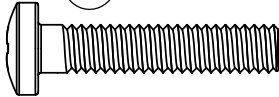
5pc. **BN1** - 1/4" Barrel Nut - (54803200)



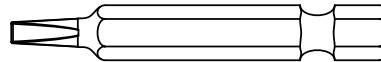
8pc. **FW3** - #8 Flat Washer - (51003500)



5pc. **PB2** - Pan Bolt 1/4 x 1-1/4" - (53433212)



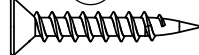
1pc. **D4** - 2 x 2 Robertson Driver Bit - (9200014)



69pc. **S0** - Truss Screw #8 x 7/8" - (52933505)



4pc. **S18** - Wood Screw #6 x 1" - (52013910)



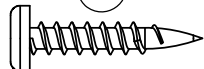
20pc. **S5** - Pan Screw #8 x 1/2" - (52433502)



77pc. **S2** - Wood Screw #8 x 1-1/2" - (52043512)



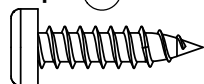
5pc. **S10** - Pan Screw #8 x 1" - (52433510)



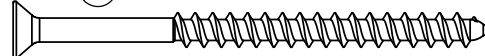
28pc. **S11** - Wood Screw #8 x 2" - (52043520)



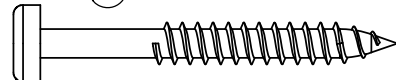
2pc. **S6** - Pan Screw #12 x 1" - (52433610)



14pc. **S3** - Wood Screw #8 x 2-1/2" - (52043522)



13pc. **S7** - Pan Screw #12 x 2" - (52433620)

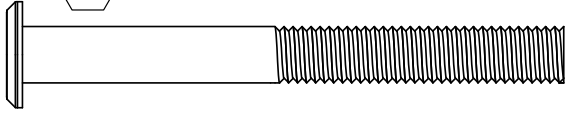


12pc. **S4** - Wood Screw #8 x 3" - (52043530)

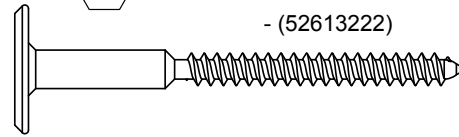


# Hardware Identification (Actual Size)

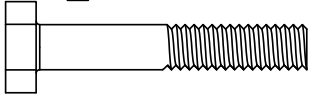
3pc. **WB7** - Wafer Bolt 5/16 x 3" - (53613330)



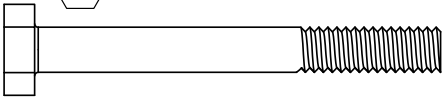
16pc. **WL5** - Wafer Lag 1/4 x 2-1/2" - (52613222)



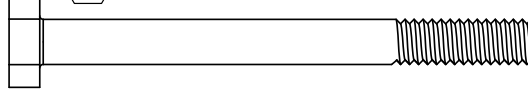
4pc. **H1** - Hex Bolt 1/4 x 1-1/2" - (53703212)



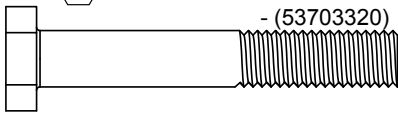
2pc. **H10** - Hex Bolt 1/4 x 2-1/4" - (53703221)



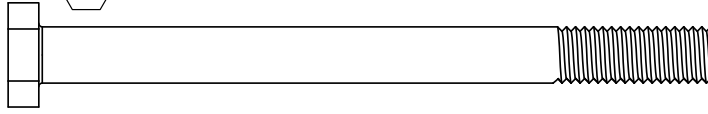
4pc. **H11** - Hex Bolt 1/4 x 2-3/4" - (53703223)



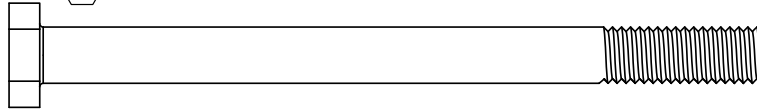
4pc. **G8** - Hex Bolt 5/16 x 2" - (53703320)



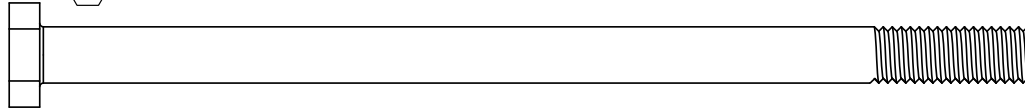
7pc. **G21** - Hex Bolt 5/16 x 3-3/4" - (53703333)



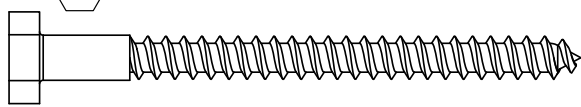
3pc. **G4** - Hex Bolt 5/16 x 4" - (53703340)



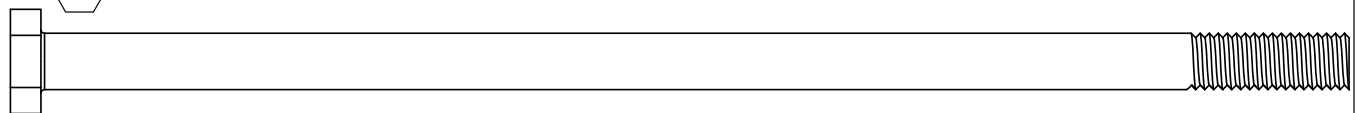
14pc. **G7** - Hex Bolt 5/16 x 5-1/2" - (53703352)



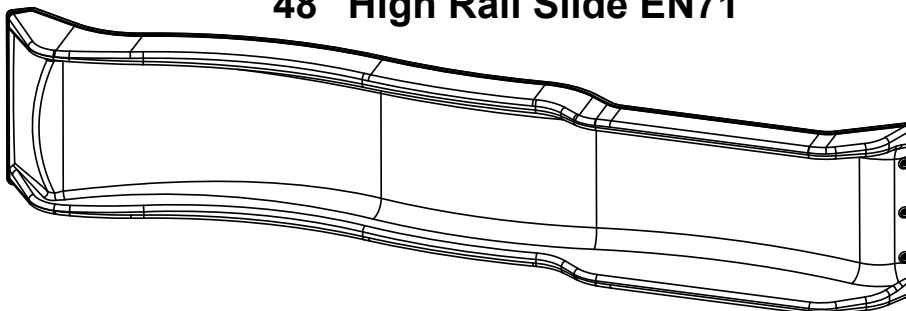
2pc. **LS3** - Lag Screw 1/4 x 3" - (52213230)



2pc. **G25** - Hex Bolt 5/16 x 7-1/4" - (53703371)

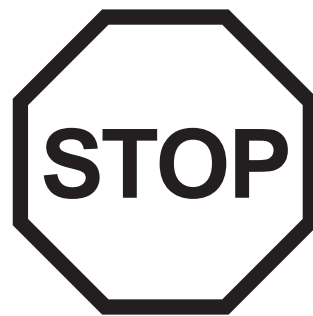
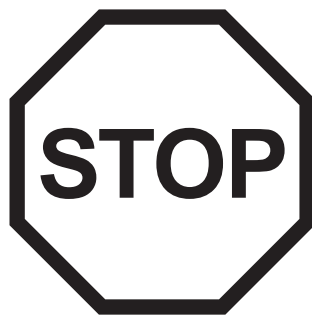
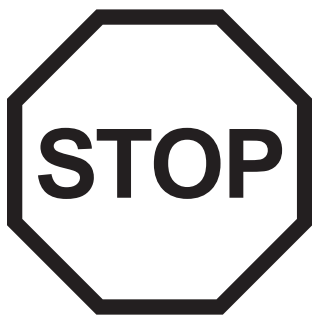


## Reduced Size 48" High Rail Slide EN71





# Step 1: Inventory Parts - Read This Before Starting Assembly



- A.** This is the time for you to inventory all your hardware, wood and accessories, referencing the parts identification sheets. This will assist you with your assembly.
- The wood pieces will have the four digit key number stamped on the ends of the boards. The wood pieces are referenced throughout the instructions with this number.
  - Please refer to Page 6 for proper hardware assembly.
  - Each step indicates which bolts and/or screws you will need for assembly, as well as any flat washers, lock washers, t-nuts or lock nuts.
- B.** If there are any missing or damaged pieces or you need assistance with assembly please contact the Consumer Relations Department directly. Call us before going back to the store.

**1-877-966-3738**  
**support@solowavedesign.com**

- C.** Read the assembly manual completely, paying special attention to ANSI warnings; notes; and safety/maintenance information on pages 1 - 6.
- D.** Before you discard your cartons fill out the form below.
- The carton I.D. stamp is located on the end of each carton. The tracking number is located on the Big Backyard ID Plaque (3320356).
  - Please retain this information for future reference. You will need this information if you contact the Consumer Relations Department.

## MODEL NUMBER: **F24915C**

CARTON I.D. STAMP: \_ \_ \_ \_ 14459 \_ (Box 1)

CARTON I.D. STAMP: \_ \_ \_ \_ 14459 \_ (Box 4)

CARTON I.D. STAMP: \_ \_ \_ \_ 14459 \_ (Box 2)

CARTON I.D. STAMP: \_ \_ \_ \_ 14459 \_ (Box 5)

CARTON I.D. STAMP: \_ \_ \_ \_ 14459 \_ (Box 3)

CARTON I.D. STAMP: \_ \_ \_ \_ 14459 \_ (Box 6)

TRACKING NUMBER (from ID Plaque): \_\_\_\_\_

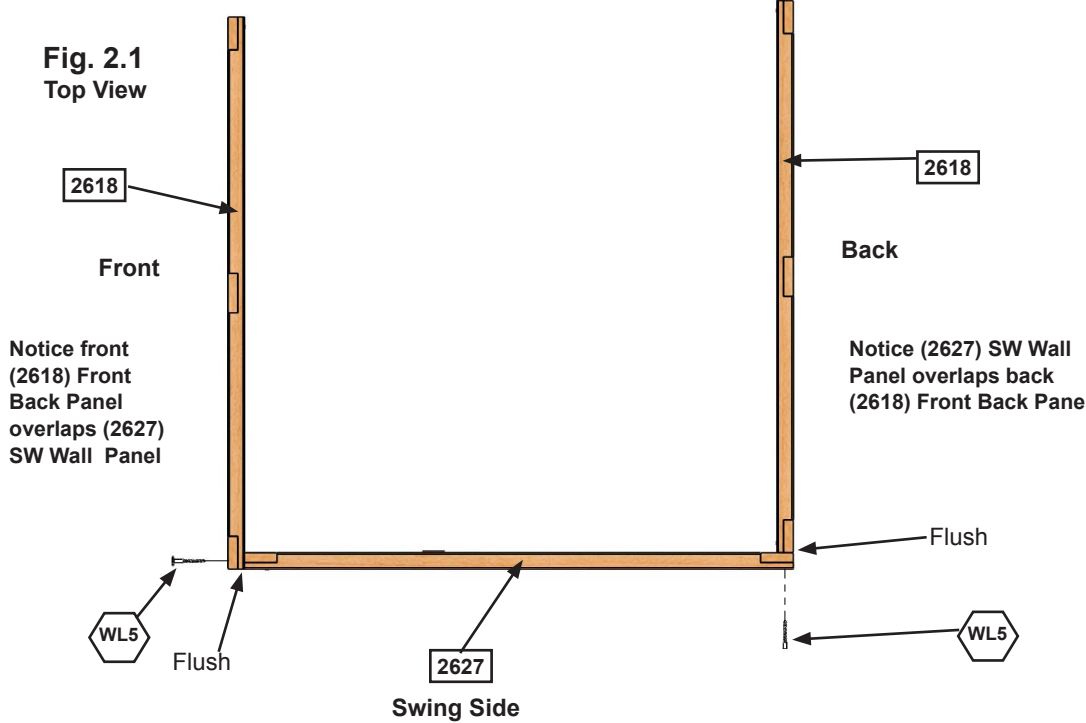
# Step 2: Frame Assembly Part 1



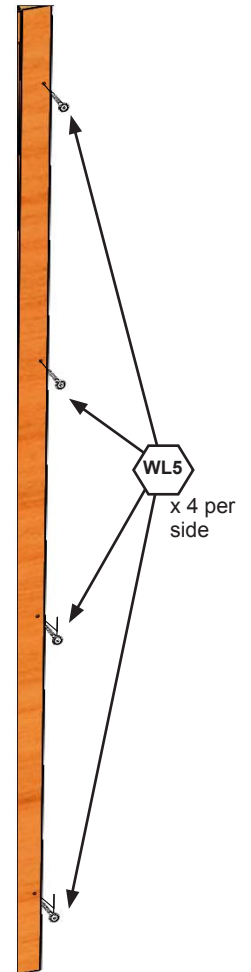
*It is important to assemble the frame on a flat, smooth surface.*

**A:** Place (2627) SW Wall Panel between 2 (2618) Front Back Panels noticing the panel orientations. The tops and bottoms of the panels should be flush. Make sure the panels are square then using the pilot holes as a guide pre-drill with a 3/16" drill bit and fasten the front (2618) Front Back Panel to (2627) SW Wall Panel and (2627) SW Wall Panel to the back (2618) Front Back Panel with 4 (WL5) 1/4 x 2-1/2" Wafer Lags per side. (fig. 2.1, 2.2 and 2.3)

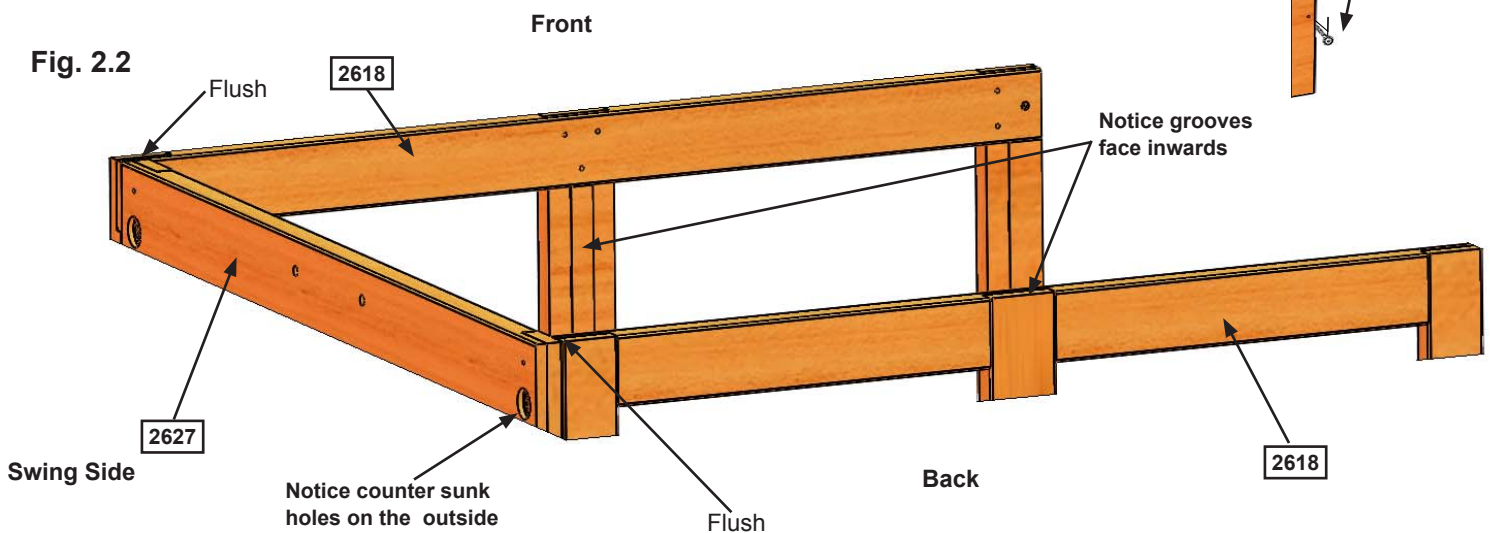
**Fig. 2.1**  
Top View



**Fig. 2.3**



**Fig. 2.2**



**Wood Parts**

- 2 x 2618 Front Back Panel 1-1/4 x 42 x 87"
- 1 x 2627 SW Wall Panel 1-1/4 x 42 x 87"

**Hardware**

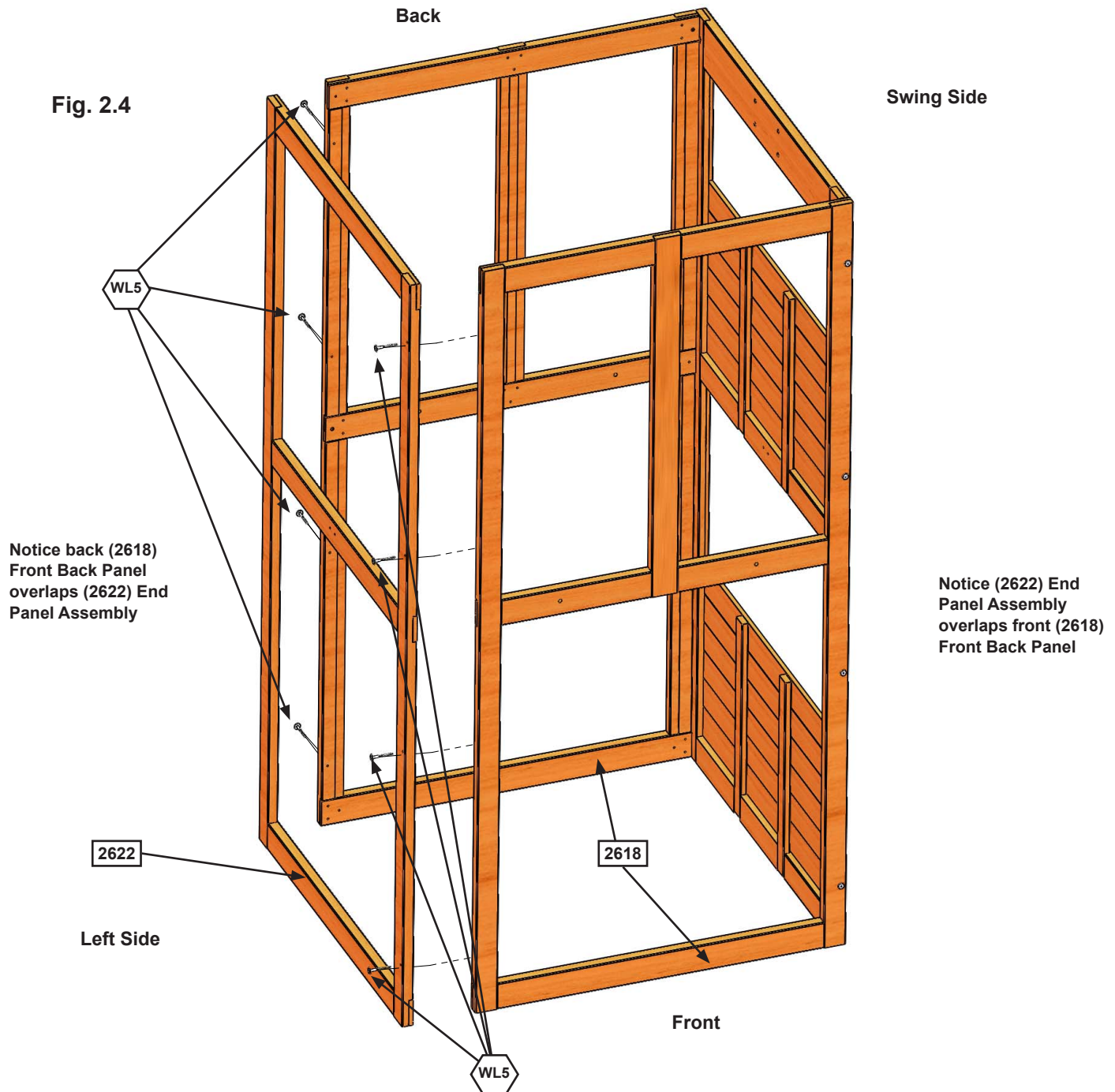
- 8 x WL5 1/4 x 2-1/2" Wafer Lag

# Step 2: Frame Assembly Part 2



**B:** Place (2622) End Panel Assembly between both (2618) Front Back Panels noticing the panel orientations. The tops and bottoms of the panels should be flush. Make sure the panels are square then using the pilot holes as a guide pre-drill with a 3/16" drill bit and fasten the back (2618) Front Back Panel to (2622) End Panel Assembly and (2622) End Panel Assembly to the front (2618) Front Back Panel with 4 (WL5) 1/4 x 2-1/2" Wafer Lags per side. (fig. 2.4)

Fig. 2.4



### Wood Parts

1 x **2622** End Panel Assembly 1-1/4 x 42 x 87"

### Hardware

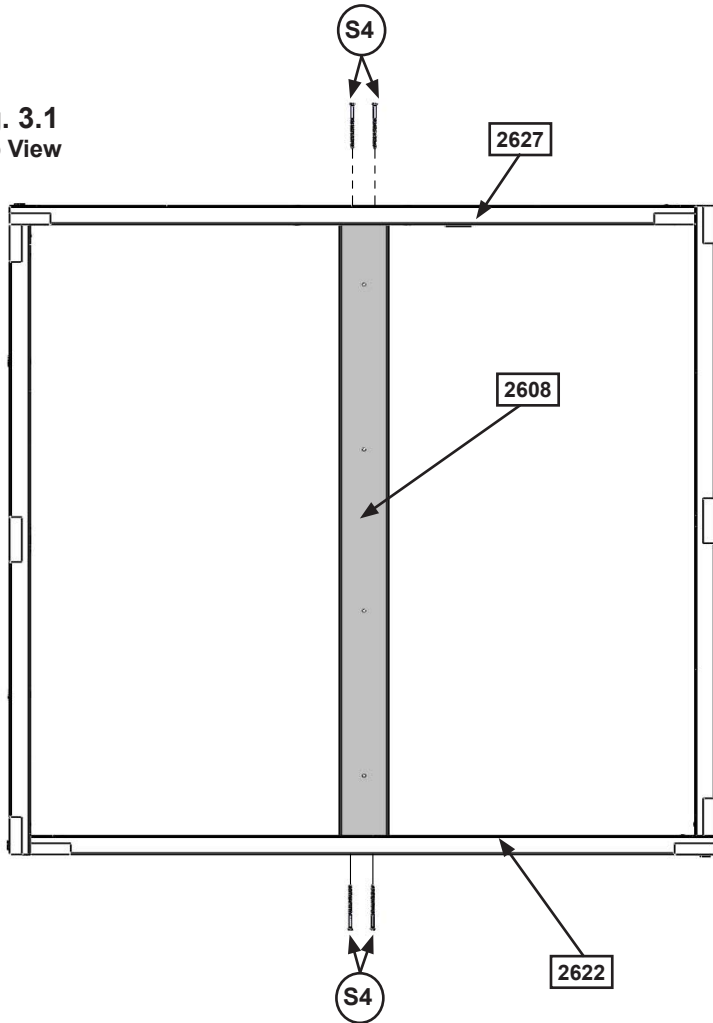
8 x **WL5** 1/4 x 2-1/2" Wafer Lag

# Step 3: Floor Assembly Part 1

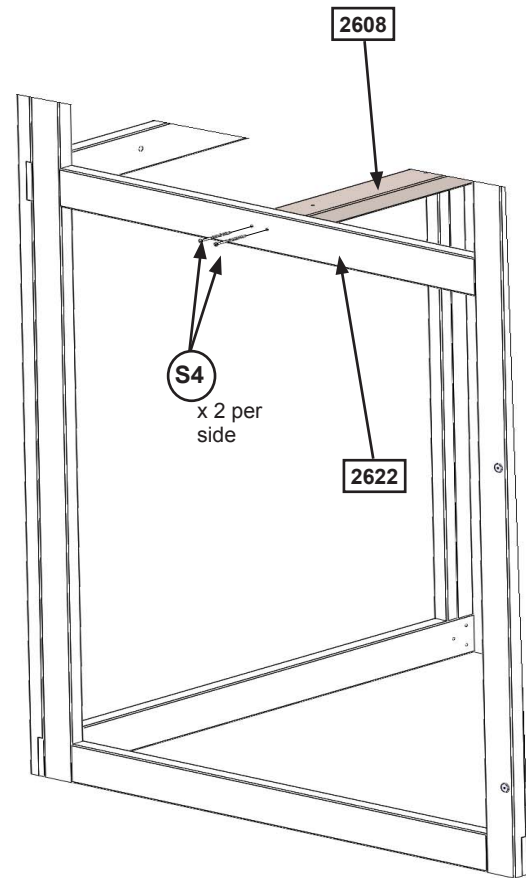


**A:** From inside of the assembly centre (2608) Floor Joist over pilot holes in (2622) End Panel Assembly and (2627) SW Wall Panel, 5/8" down from the top of board then attach (2608) Floor Joist to each panel with 2 (S4) #8 x 3" Wood Screws per end. (fig.3.1, 3.2 and 3.3)

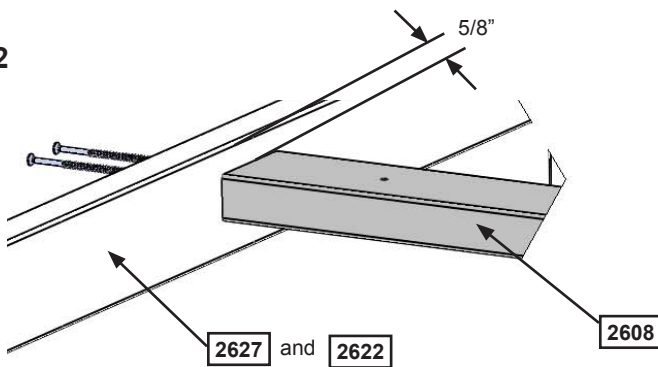
**Fig. 3.1**  
Top View



**Fig. 3.3**



**Fig. 3.2**



## Wood Parts

1 x [2608] Floor Joist 1-1/4 x 3 x 40-3/4"

## Hardware

4 x (S4) #8 x 3" Wood Screw

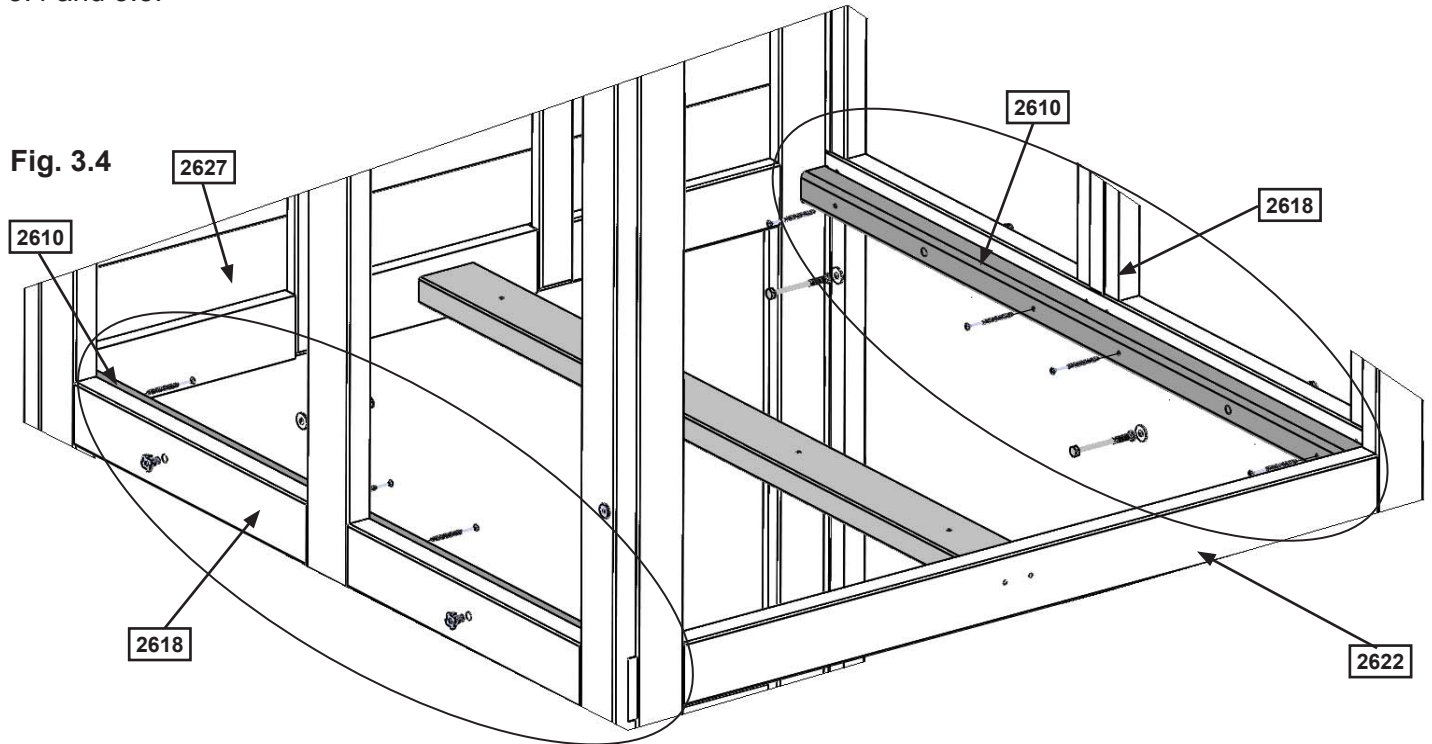


# Step 3: Floor Assembly Part 2

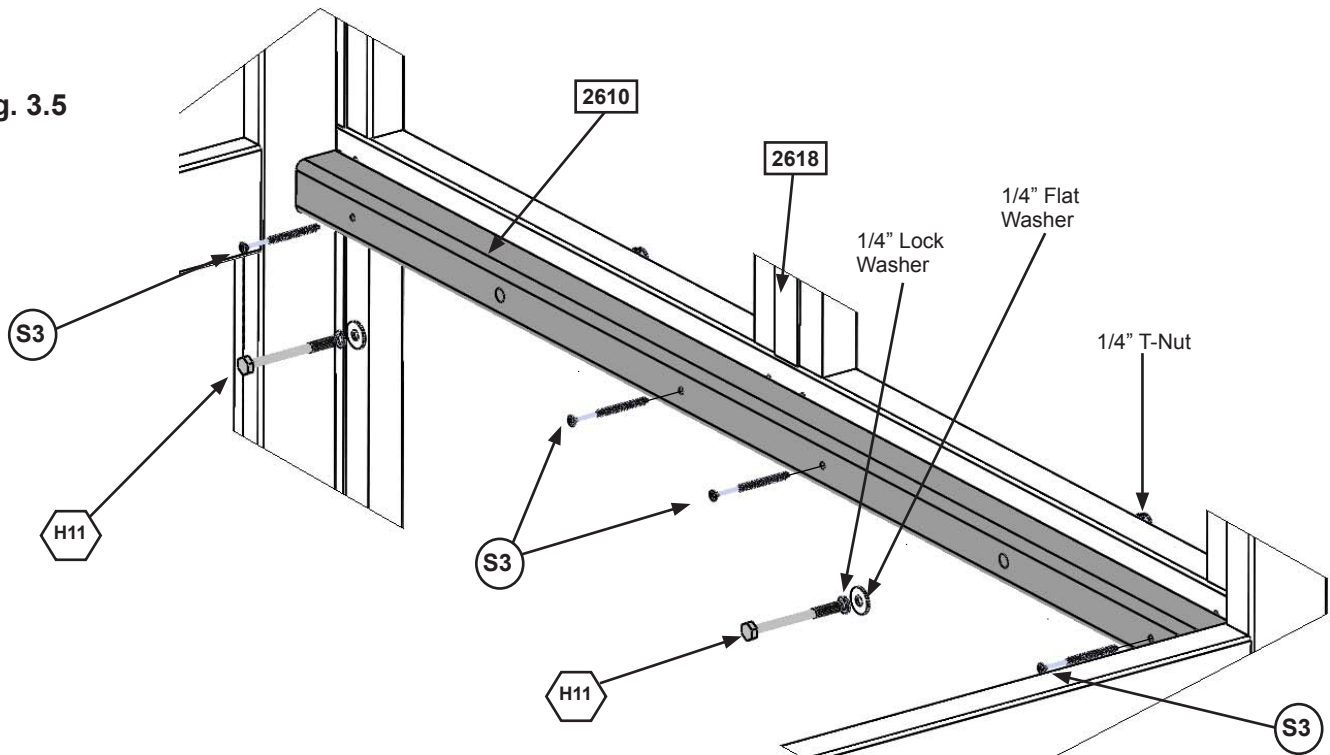


**B:** On both (2618) Front Back Panels attach 1 (2610) Side Joist to the inside of each panel with 2 (H11) 1/4 x 2-3/4" Hex Bolts (with lock washer, flat washer and t-nut) and 4 (S3) #8 x 2-1/2" Wood Screws as shown in fig. 3.4 and 3.5.

**Fig. 3.4**



**Fig. 3.5**



**Wood Parts**

2 x 2610 Side Joist 2 x 2 x 40-1/4"

**Hardware**

8 x S3 #8 x 2-1/2" Wood Screw

4 x H11 1/4 x 2-3/4" Hex Bolt  
(1/4" lock washer, 1/4" flat washer, 1/4" t-nut)

# Step 3: Floor Assembly Part 3

**C:** Starting at (2627) SW Wall Panel place (2648) Floor Board followed by 8 (2609) Floor Boards. Make sure all boards are evenly spaced then attach to (2608) Floor Joist and each (2610) Side Joist with 5 (S2) #8 x 1-1/2" Wood Screws per board. (fig. 3.6 and 3.7)

Fig. 3.6

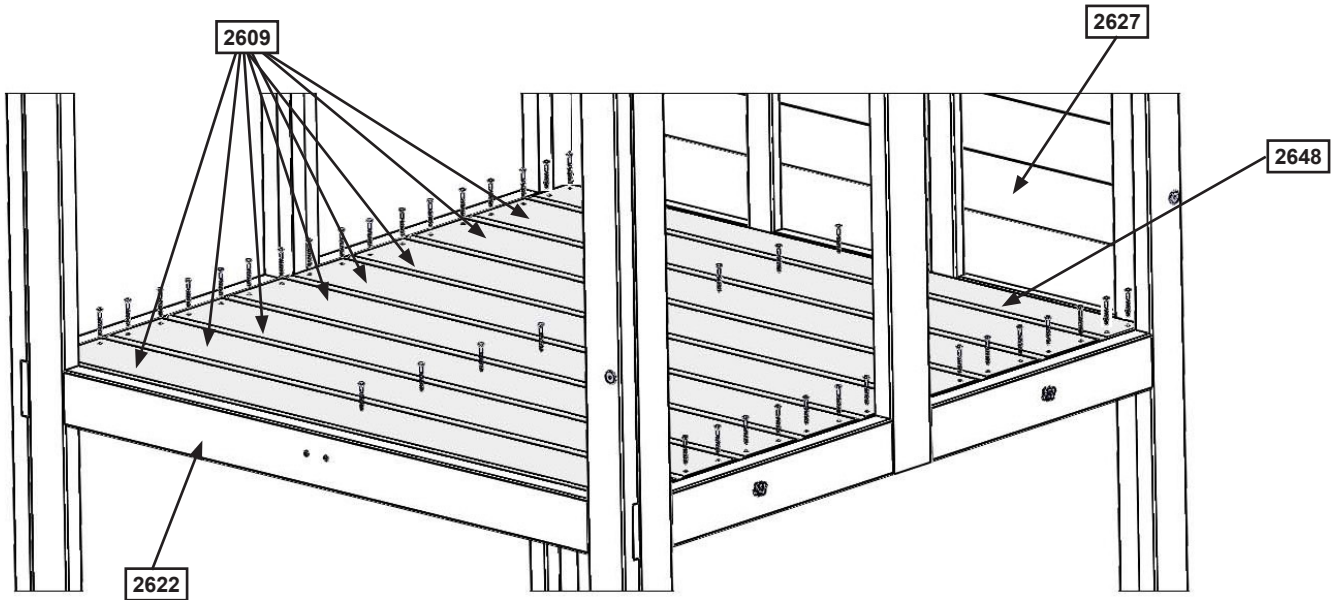
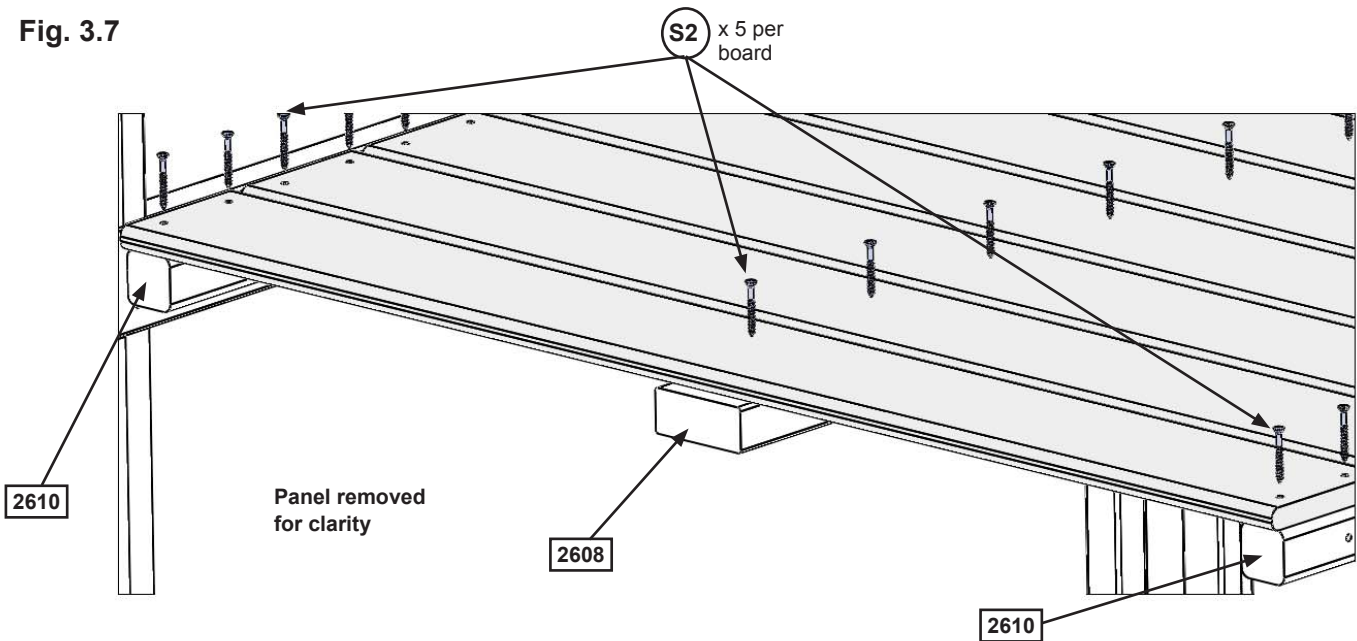


Fig. 3.7



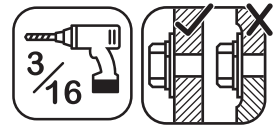
### Wood Parts

- 1 x 2648 Floor Board 1 x 4 x 40-5/8"
- 8 x 2609 Floor Board 1 x 5 x 40-5/8"

### Hardware

- 45 x S2 #8 x 1-1/2" Wood Screw

## Step 4: Attach SW Ground and Diagonal



**A:** Loosely attach 1 (2606) SW Ground to each (2607) Diagonal with 1 (H10) 1/4 x 2-1/4" Hex Bolt (with lock washer, flat washer and t-nut) per board then place each (2607) Diagonal tight and flush to the front of (2627) SW Wall Panel. (2606) SW Grounds to be flush to the bottom of (2627) SW Wall Panel. (fig. 4.1 and 4.2)

**B:** Pre-drill pilot hole with a 3/16" drill bit then attach each (2607) Diagonal to (2627) SW Wall Panel with 1 (LS3) 1/4 x 3" Lag Screw (with flat washer) per board, checking that they remain flush to outside edge. (fig. 4.1 and 4.2)

**C:** Make sure bottom of each (2606) SW Ground is flush to bottom of (2627) SW Wall Panel then attach with 2 (S11) #8 x 2" Wood Screws and 1 (S4) #8 x 3" Wood Screw per board. Tighten all bolts. (fig. 4.1 and 4.2)

Fig. 4.1

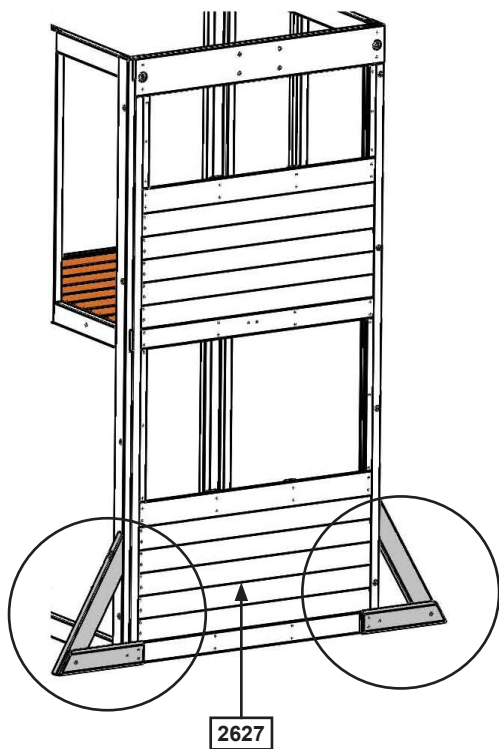
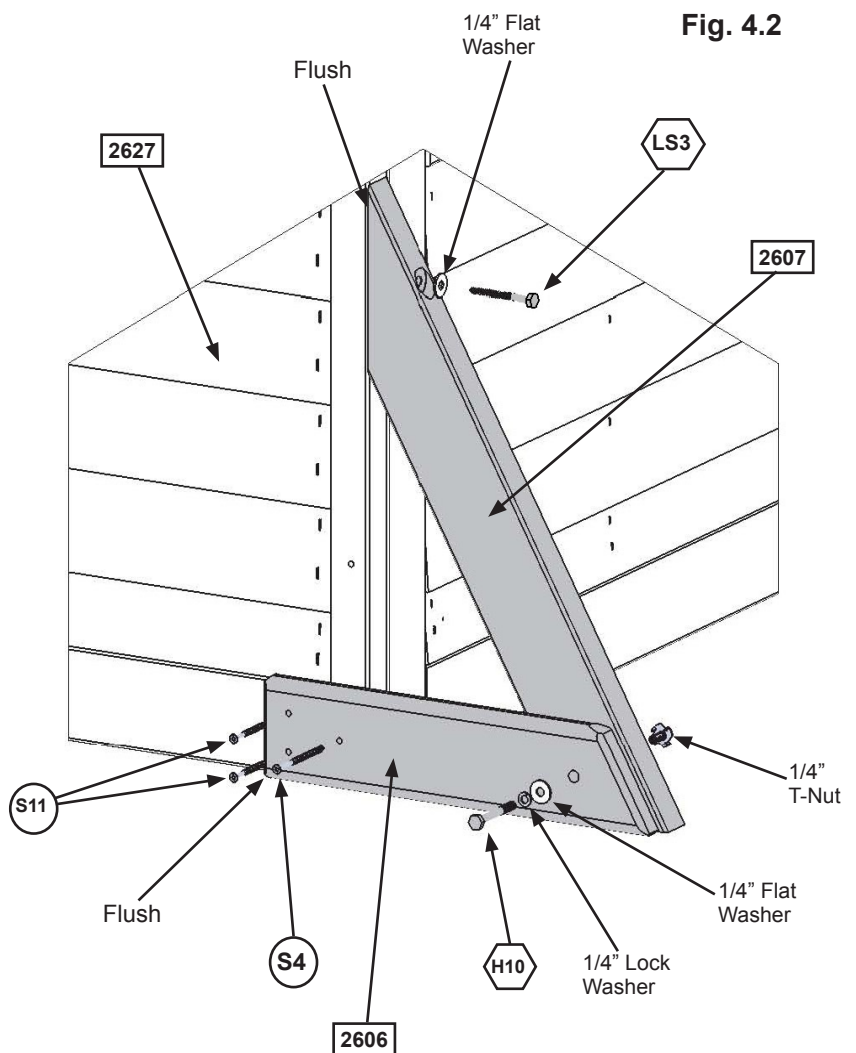


Fig. 4.2



### Wood Parts

- 2 x SW Ground 5/4 x 4 x 14-1/4"
- 2 x Diagonal 1-1/4 x 3 x 22"

### Hardware

- 2 x 1/4 x 2-1/4" Hex Bolt (1/4" lock washer, 1/4" flat washer, 1/4" t-nut)
- 2 x 1/4 x 3" Lag Screw (1/4" flat washer)
- 2 x #8 x 3" Wood Screw
- 4 x #8 x 2" Wood Screw



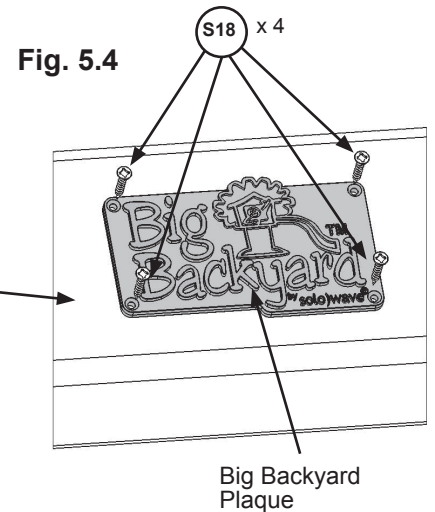
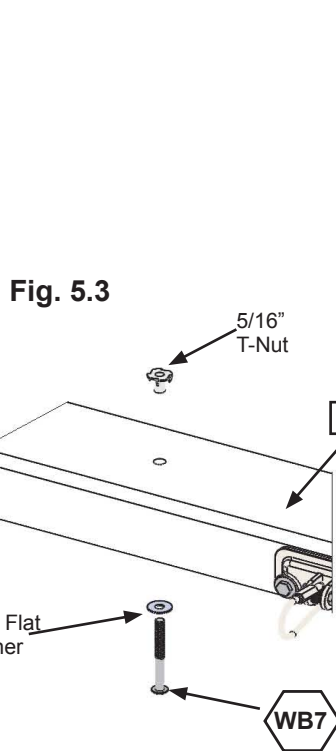
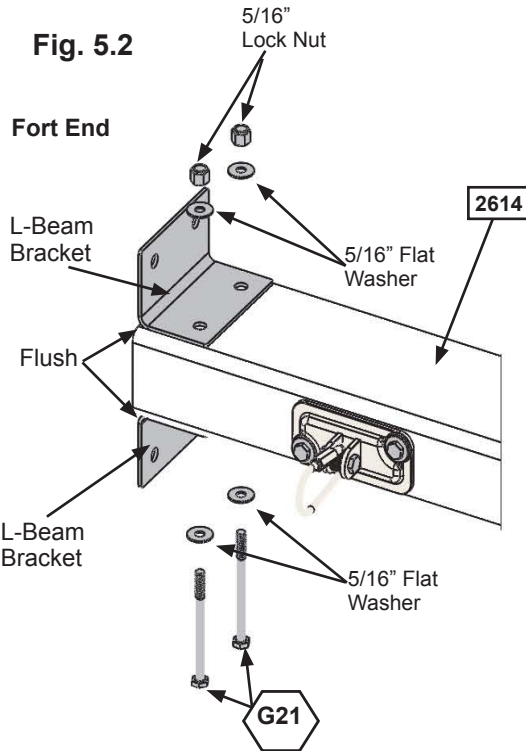
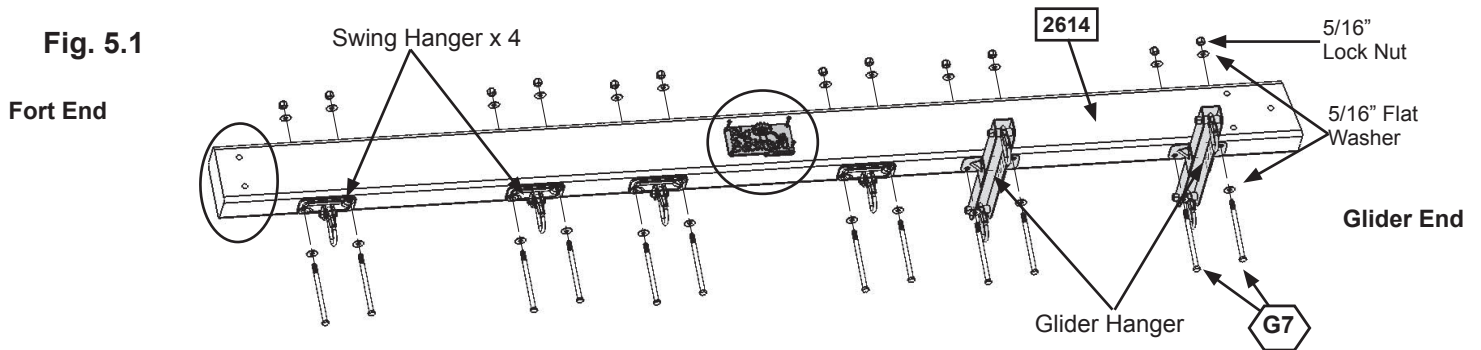
# Step 5: Swing Beam Assembly

**A:** Attach 4 Swing Hangers to Fort End of (2614) Engineered Beam and 2 Glider Hangers to the Glider End using 2 (G7) 5/16 x 5-1/2" Hex Bolts (with 2 flat washers and 1 lock nut) per Swing Hanger and Glider Hanger, as shown in fig. 5.1.

**B:** Flush to the Fort End of (2614) Engineered Beam attach 2 L-Beam Brackets with 2 (G21) 5/16 x 3-3/4" Hex Bolts (with 2 flat washers and 1 lock nut). (fig. 5.2)

**C:** Install 1 (WB7) 5/16 x 3" Wafer Bolt (with flat washer and t-nut) in the middle bolt hole in (2614) Engineered Beam as shown in fig. 5.3. **IT IS IMPORTANT THAT THIS BOLT IS ATTACHED. IT WILL MINIMIZE CHECKING OF WOOD.**

**D:** Attach Big Backyard Plaque to centre of (2614) Engineered Beam (over top of t-nut) using 4 (S18) #6 x 1" Wood Screws. (fig. 5.4)



### Wood Parts

1 x 2614 Engineered Beam 4 x 6 x 88"

### Hardware

- 12 x G7 5/16 x 5-1/2" Hex Bolt (5/16" flat washer x 2, 5/16" lock nut)
- 2 x G21 5/16 x 3-3/4" Hex Bolt (5/16" flat washer x 2, 5/16" lock nut)
- 1 x WB7 5/16 x 3" Wafer Bolt (5/16" flat washer & 5/16" t-nut)
- 4 x S18 #6 x 1" Wood Screw

### Other Parts

- 4 x Swing Hangers
- 2 x Glider Hanger
- 2 x L-Beam Bracket
- 1 x Big Backyard Plaque



# Step 6: Swing End Assembly

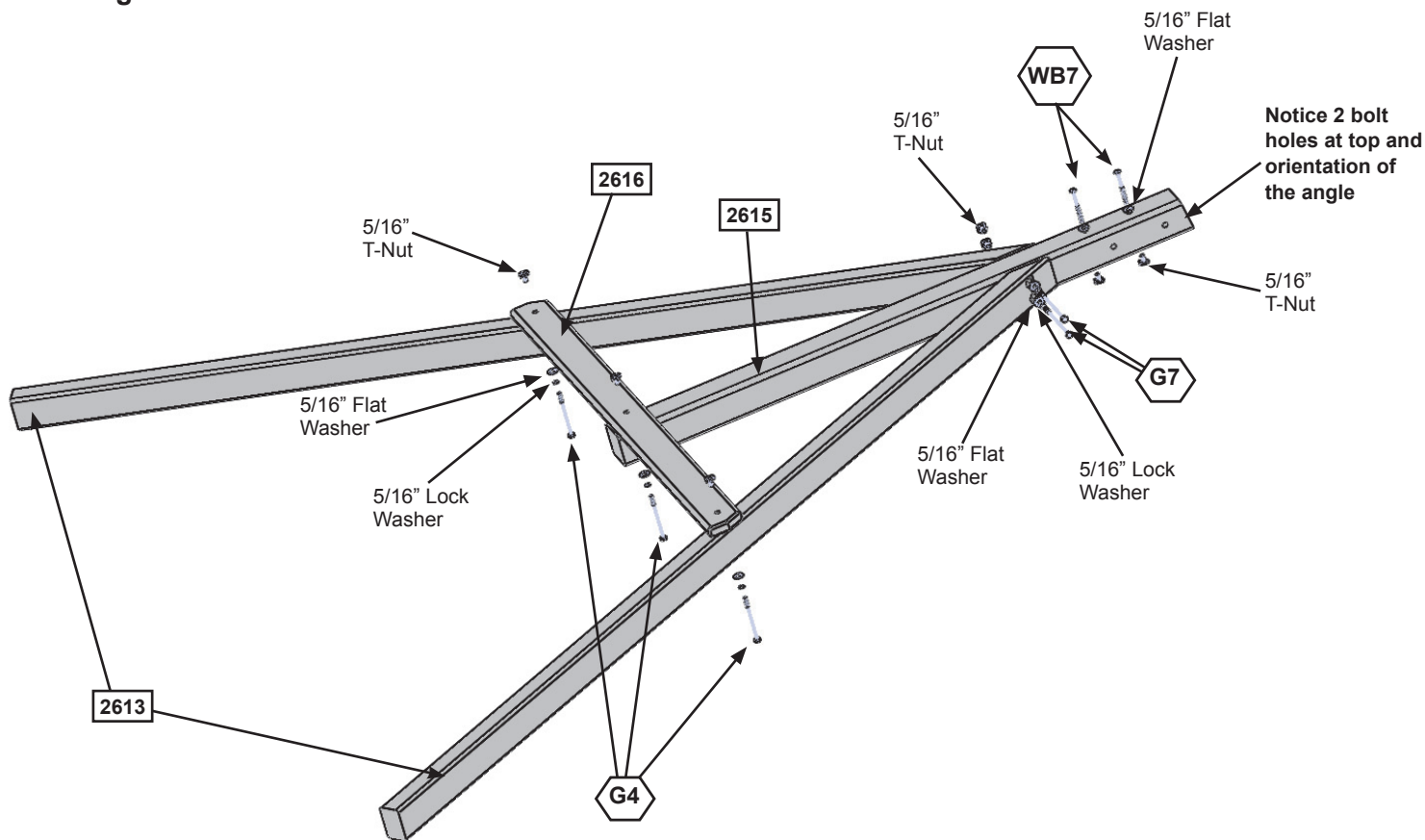


**A:** Loosely attach 2 (2613) Heavy SW Posts to (2615) SW Upright using 2 (G7) 5/16 x 5-1/2" Hex Bolts (with lock washer, flat washer and t-nut). Notice 2 bolt holes at top of (2615) SW Upright and orientation of angle. (fig. 6.1)

**B:** Attach (2616) SW Support to both (2613) Heavy SW Posts and (2615) SW Upright using 3 (G4) 5/16 x 4" Hex Bolts (with lock washer, flat washer and t-nut). Tighten all bolts (fig. 6.1)

**C:** Install 2 (WB7) 5/16 x 3" Wafer Bolts (with flat washer and t-nut) in the top bolt holes in (2615) SW Upright as shown in fig. 6.1. **IT IS IMPORTANT THAT THESE BOLTS ARE ATTACHED. THEY WILL MINIMIZE CHECKING OF WOOD.**

Fig. 6.1



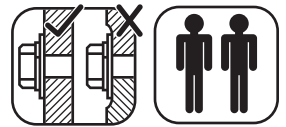
**Wood Parts**

- 2 x 2613 Heavy SW Post 2 x 3 x 86-11/16"
- 1 x 2615 SW Upright 4 x 4 x 50-15/16"
- 1 x 2616 SW Support 5/4 x 4 x 46-1/2"

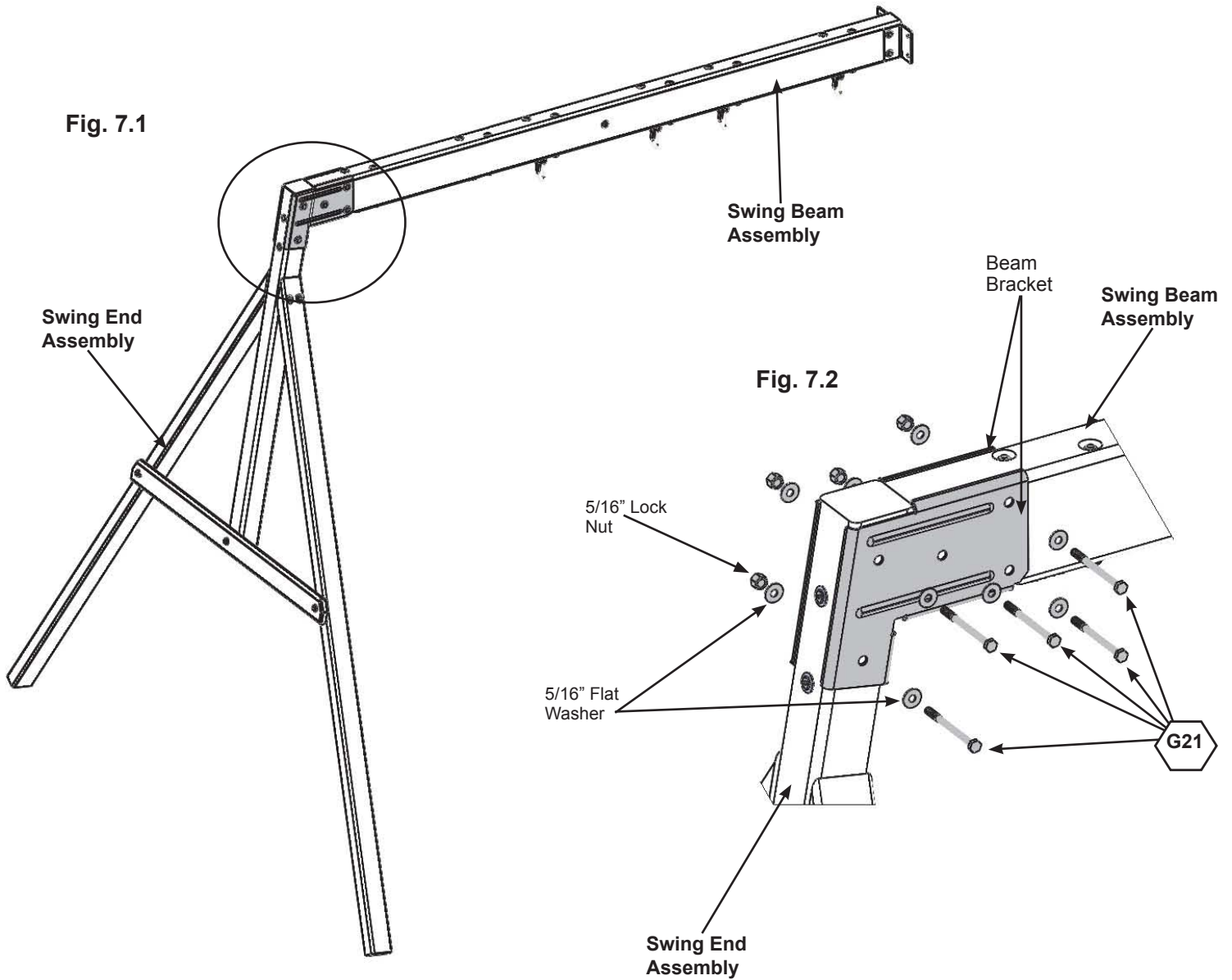
**Hardware**

- 2 x G7 5/16 x 5-1/2" Hex Bolt (5/16" lock washer, 5/16" flat washer, 5/16" t-nut)
- 3 x G4 5/16 x 4" Hex Bolt (5/16" lock washer, 5/16" flat washer, 5/16" t-nut)
- 2 x WB7 5/16 x 3" Wafer Bolt (5/16" flat washer & 5/16" t-nut)

# Step 7: Attach Swing End to Swing Beam



**A:** Place Swing End Assembly against Swing Beam Assembly then place 1 Beam Bracket on each side of the assembly (they are specific for left and right side) and attach with 5 (G21) 5/16 x 3-3/4" Hex Bolts (with 2 flat washers and 1 lock nut). (fig. 7.1 and 7.2)



### Hardware

5 x  5/16 x 3-3/4" Hex Bolt  
(5/16" flat washer x 2, 5/16" lock nut)

### Other Parts

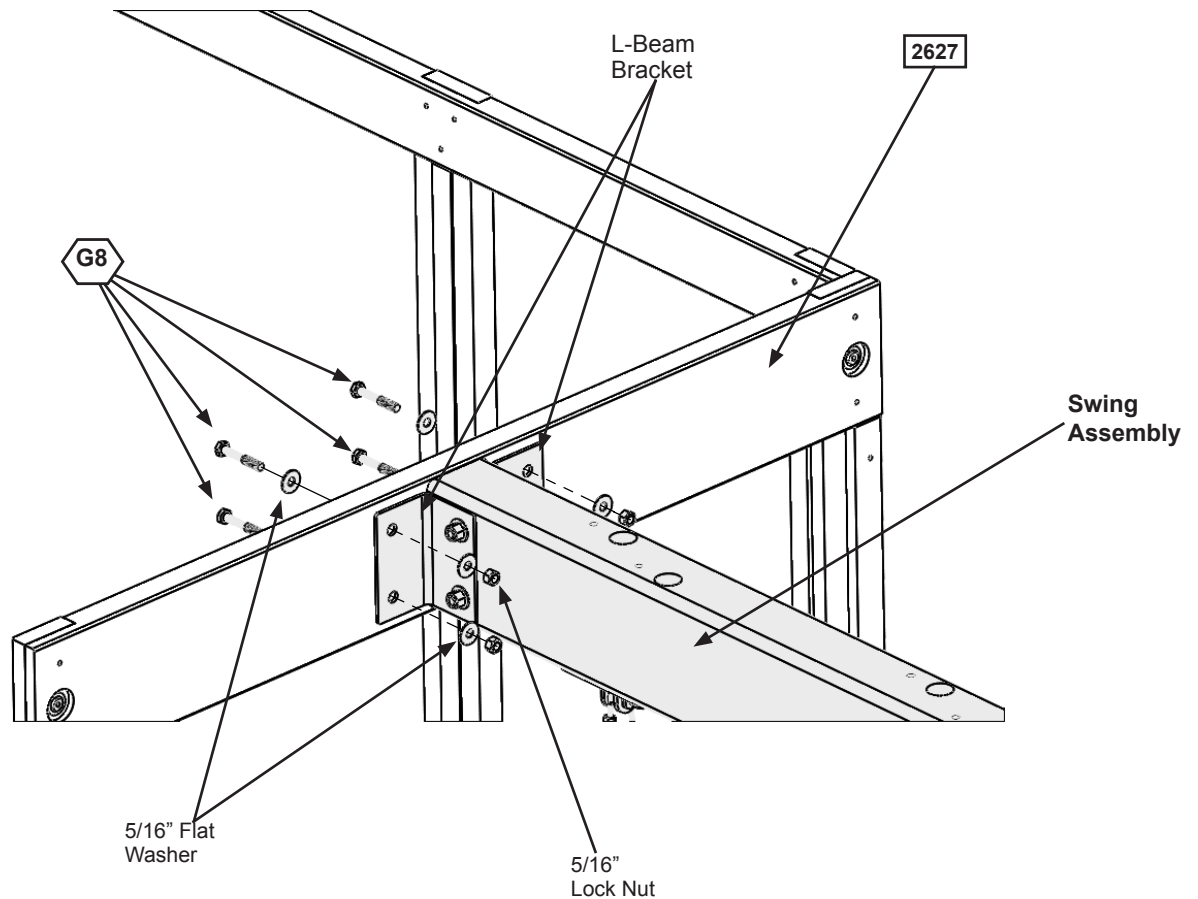
2 x Beam Bracket (Left/Right)

## Step 8: Attach Swing Assembly To Fort



**A:** Place Swing Assembly against top of (2627) SW Wall Panel, make sure assembly is level then attach from inside the fort assembly into each L-Beam Bracket with 4 (G8) 5/16 x 2" Hex Bolts (with 2 flat washers and 1 lock nut). (fig. 8.1)

Fig. 8.1



### Hardware

4 x  5/16 x 2" Hex Bolt  
(5/16" flat washer x 2, 5/16" lock nut)

## Step 9: Install Ground Stakes

### **MOVE FORT TO FINAL LOCATION PRIOR TO STAKING** **FINAL LOCATION MUST BE LEVEL GROUND**

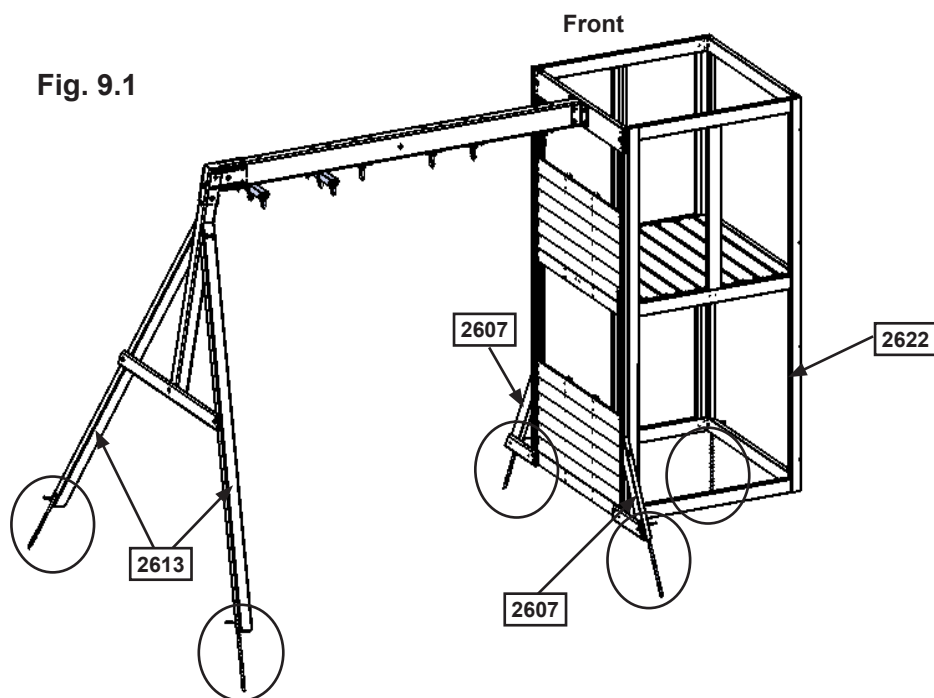
**A:** In the 5 places shown in fig. 9.1 drive the Rebar Ground Stakes 13" into the ground against outside front corner of (2622) End Panel Assembly, on both (2607) Diagonals and both (2613) Heavy SW Posts. Be careful not to hit the washer while hammering stakes into the ground as this could cause the washer to break off.

**B:** Attach ground stakes using 1 (S7) #12 x 2" Pan Screw per ground stake (fig. 9.2 and 9.3).

**C:** After driving stakes into the ground, check for sharp edges caused by the impact of the hammer. Smooth any sharp edges from impact area and touch up with outdoor paint.

**⚠ Warning!** To prevent tipping and avoid potential injury, stakes must be driven 13" into ground. Digging or driving stakes can be dangerous if you do not check first for under-ground wiring, cables or gas lines.

Fig. 9.1



**SEE FRONT COVER FOR  
SAFETY CLEARANCE**

Fig. 9.2

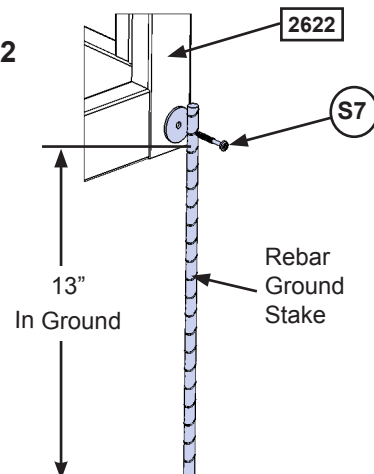
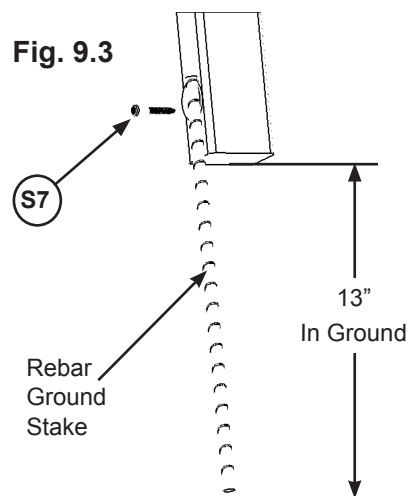


Fig. 9.3



#### Hardware

5 x (S7) #12 x 2" Pan Screw

#### Other Parts

5 x Rebar Ground Stake

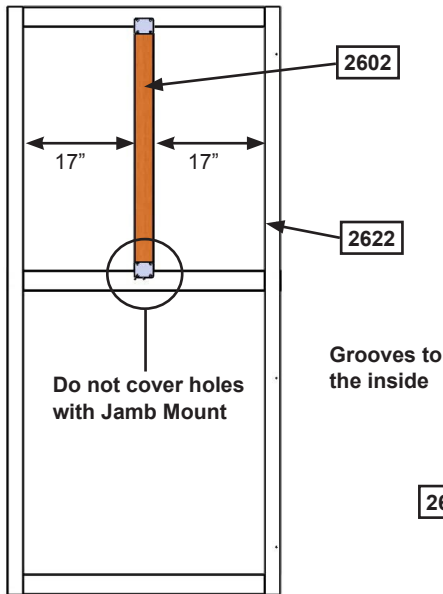
# Step 10: Install Upper and Lower Jambs



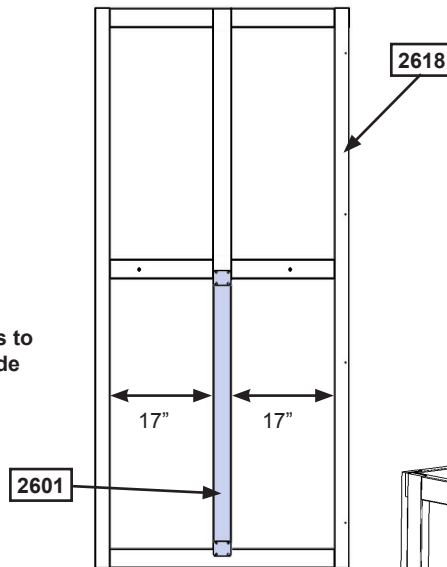
**A:** In the upper opening of (2622) End Panel Assembly place 1 (2602) Upper Jamb so it measures 17" to the inside of each post then attach with 2 Jamb Mounts using 4 (S0) #8 x 7/8" Truss Screws per mount. (fig. 10.1, 10.3, 10.4 and 10.5)

**B:** In the lower opening of the front (2618) Front Back Panel place 1 (2601) Lower Jamb so it measures 17" to the inside of each post then attach (2601) Lower Jamb with 2 Jamb Mounts using 4 (S0) #8 x 7/8" Truss Screws per mount. (fig. 10.2, 10.3, 10.4 and 10.5).

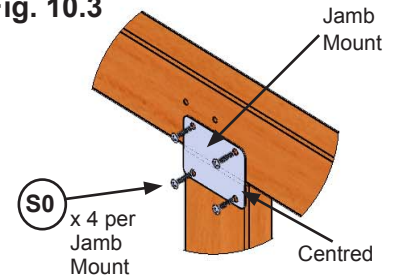
**Fig. 10.1**  
Outside View



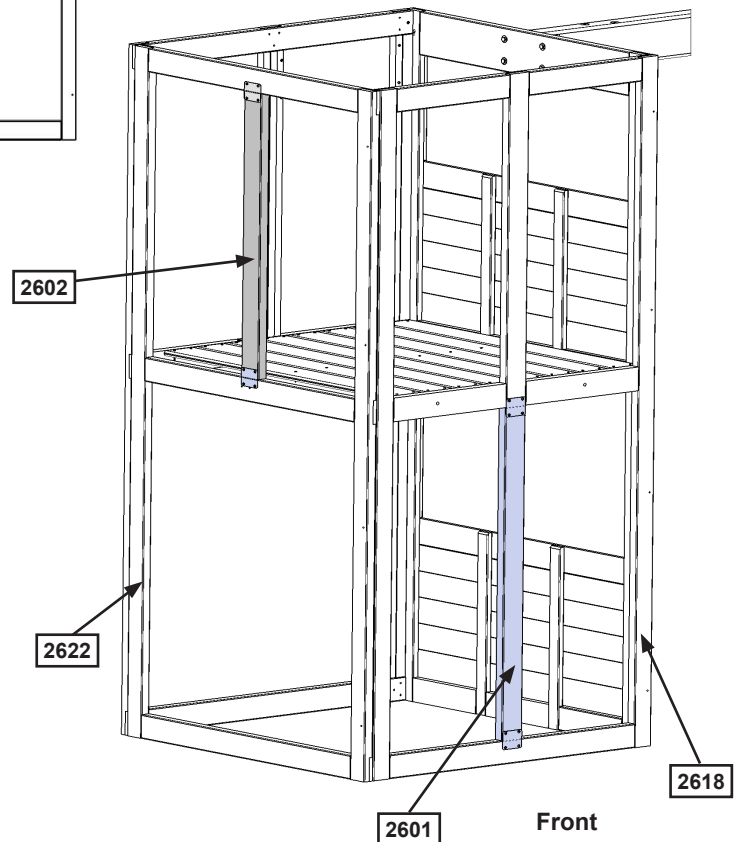
**Fig. 10.2**  
Outside View



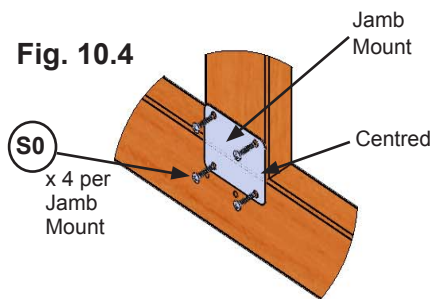
**Fig. 10.3**



**Fig. 10.5**



**Fig. 10.4**



**Wood Parts**

- 1 x 2602 Upper Jamb 1-1/4 x 3 x 35-15/16"
- 1 x 2601 Lower Jamb 1-1/4 x 3 x 41-15/16"

**Hardware**

- 16 x S0 #8 x 7/8" Truss Screw

**Other Parts**

- 4 x Jamb Mount



# Step 11: Install Window and Wall Inserts

## Part 1 - Front Wall

**A:** In the places shown in fig. 11.1 and 11.2, on the Front of the assembly install 1 (2655) Upper Window Inserts in the upper left opening of (2618) Front Back Panel and 1 (2649) Lower Window Insert in the lower left opening of (2618) Front Back Panel using 9 (S0) #8 x 7/8" Truss Screws per insert. (fig. 11.1, 11.2 and 11.3)

**B:** On the Front of the assembly install 1 MOD 3-Pane Transom in the top right opening of (2618) Front Back Panel using 4 (S0) #8 x 7/8" Truss Screws. (fig. 11.1, 11.2, and 11.4)

Fig. 11.1

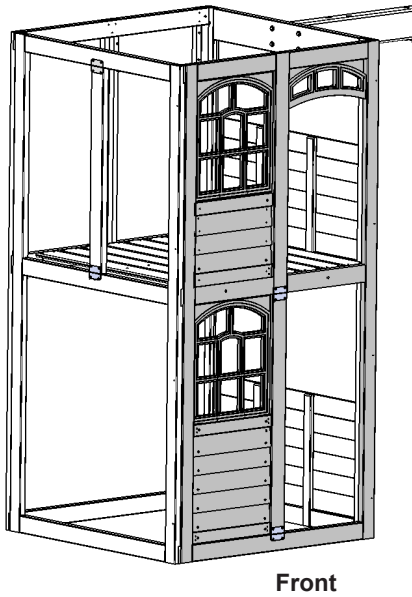


Fig. 11.2  
Outside View

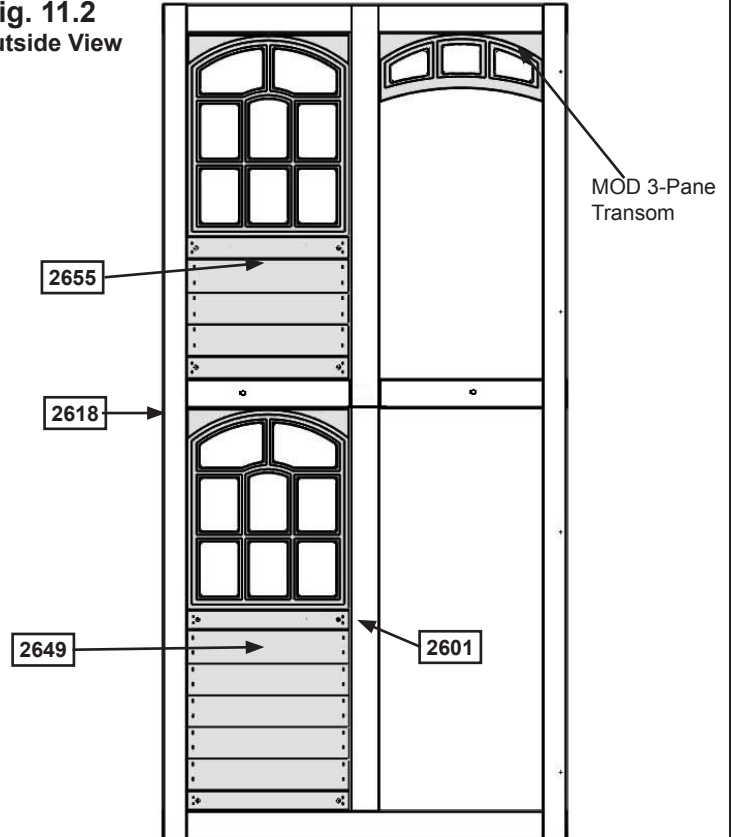


Fig. 11.3  
Inside View

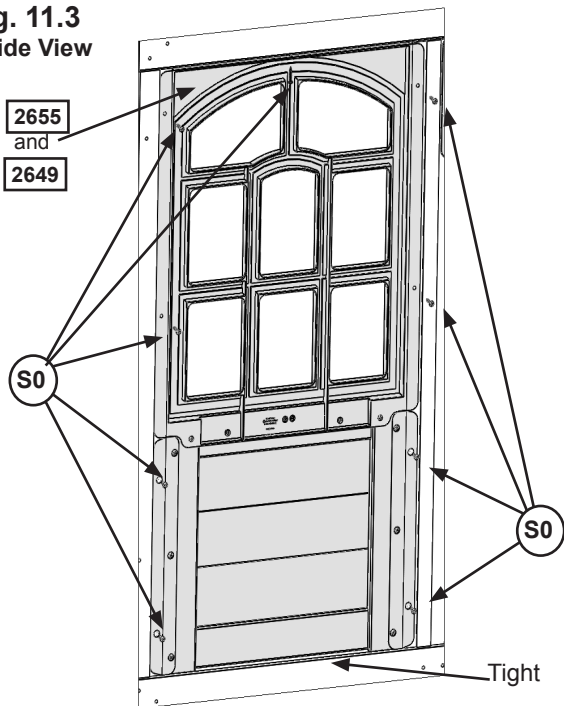
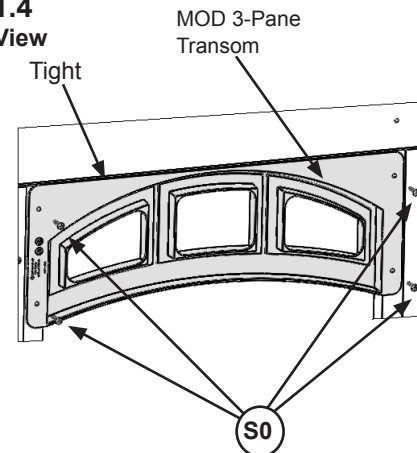


Fig. 11.4  
Inside View



### Wood Parts

- 1 x 2655 Upper Window Insert 1.27 x 18.8 x 35.86"
- 1 x 2649 Lower Window Insert 1.27 x 18.8 x 41.91"

### Hardware

- 22 x S0 #8 x 7/8" Truss Screw

### Other Parts

- 1 x MOD 3-Pane Transom

# Step 11: Install Window and Wall Inserts

## Part 2 - Left Side

C: In the places shown in fig. 11.5 and 11.6, on the Left Side of the assembly install 2 (649A) Short Half Walls in the upper openings of (2622) End Panel Assembly and 1 (2665) Half Wall Insert in the lower opening using 4 (S0) #8 x 7/8" Truss Screws per insert. (fig. 11.5, 11.6, 11.7 and 11.8)

Fig. 11.5

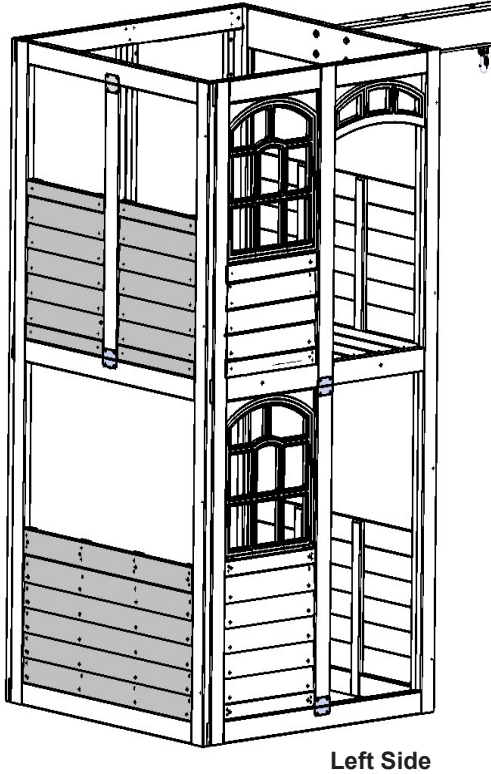


Fig. 11.6  
Outside View

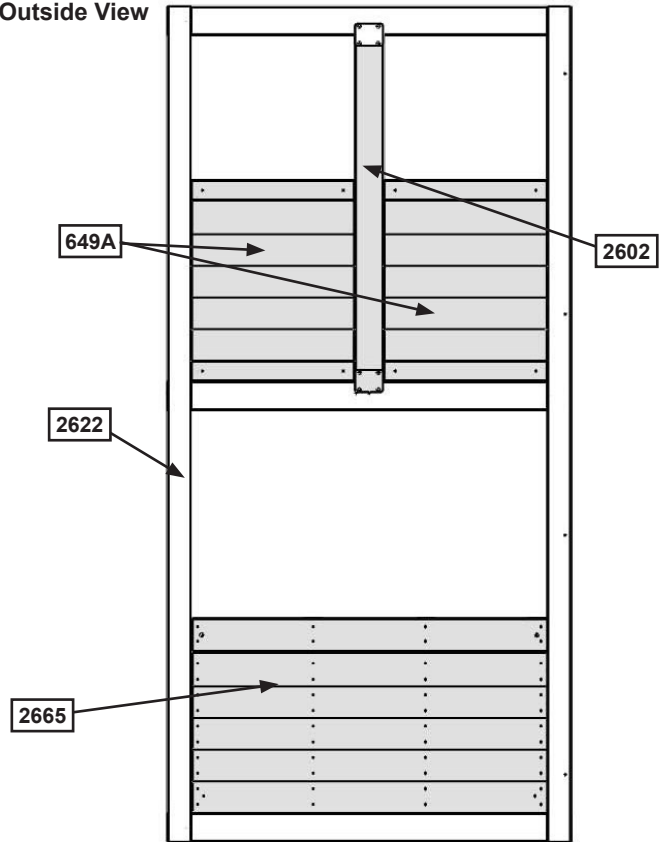


Fig. 11.7  
Inside View

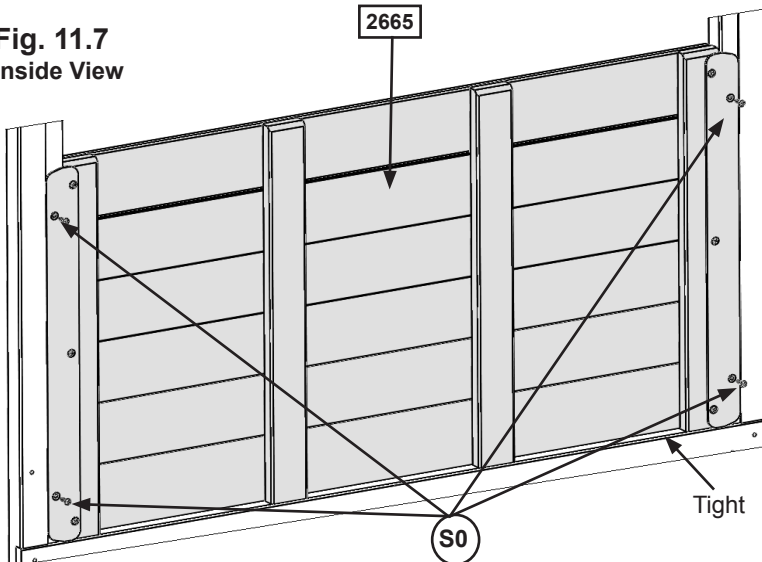
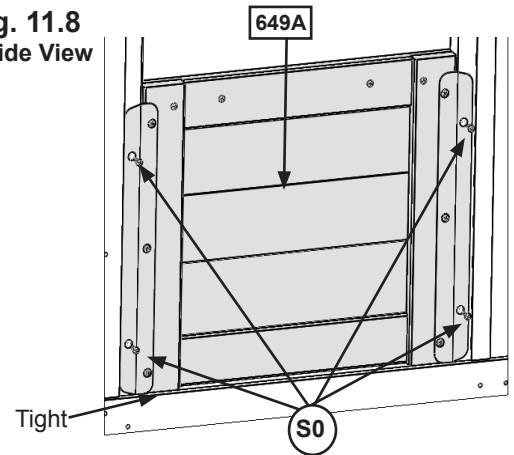


Fig. 11.8  
Inside View



### Wood Parts

- 2 x 649A Short Half Wall 1.27 x 18.8 x 20-15/16"
- 1 x 2665 Half Wall Insert 1.4 x 20-1/4 x 38.8"

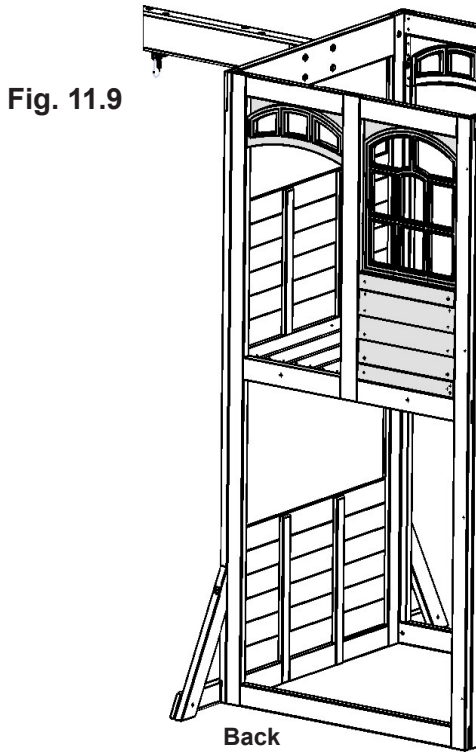
### Hardware

- 12 x S0 #8 x 7/8" Truss Screw

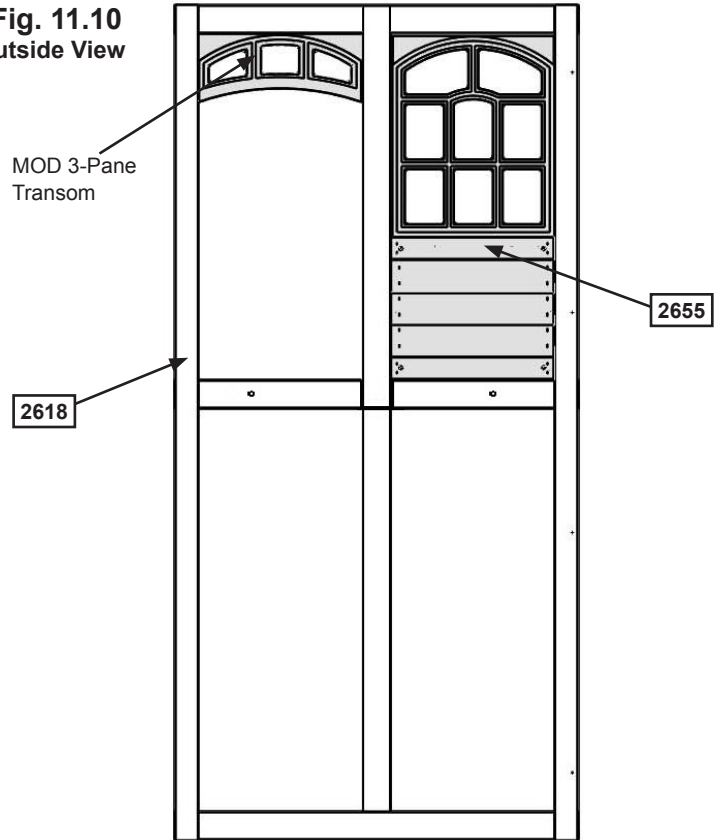
# Step 11: Install Window and Wall Inserts

## Part 3 - Back Wall

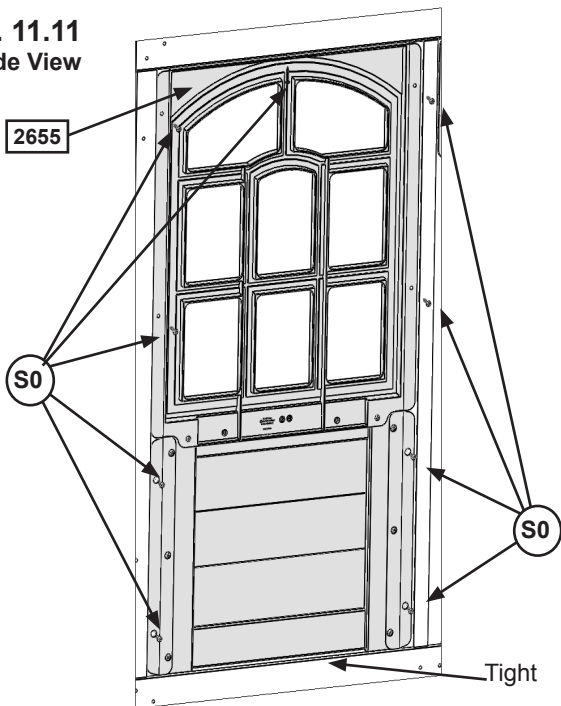
**D:** On the (2618) Front Back Panel on the Back of the assembly, install 1 MOD 3-Pane Transom in the upper left opening using 4 (S0) #8 x 7/8" Truss Screws and 1 (2655) Upper Window Inserts in the upper right opening using 9 (S0) #8 x 7/8" Truss Screws. (fig. 11.9, 11.10, 11.11 and 11.12)



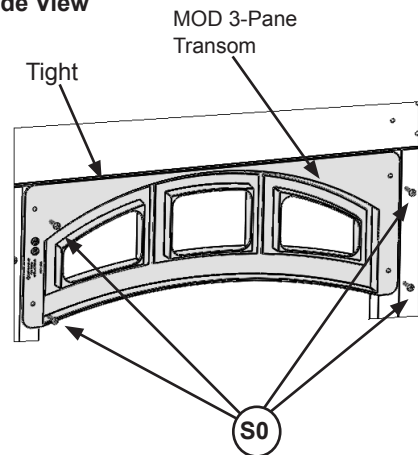
**Fig. 11.10**  
Outside View



**Fig. 11.11**  
Inside View



**Fig. 11.12**  
Inside View



### Wood Parts

1 x 2655 Upper Window Insert 1.27 x 18.8 x 35.86"

### Hardware

13 x S0 #8 x 7/8" Truss Screw

### Other Parts

1 x MOD 3-Pane Transom

# Step 12: Clock Assembly

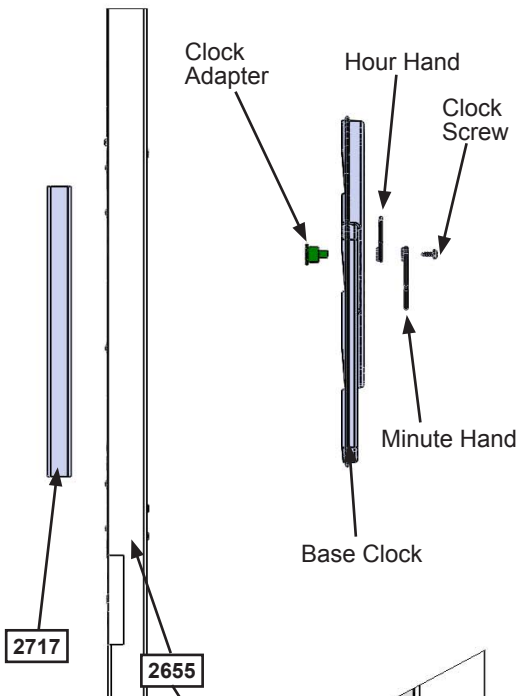


**A:** From the back of the Base Clock insert the Clock Adapter then from the front of the Base Clock place the Hour Hand over the Clock Adapter making sure they line up properly. Press the Minute Hand over the Hour Hand and connect with the Clock Screw. (fig. 12.1)

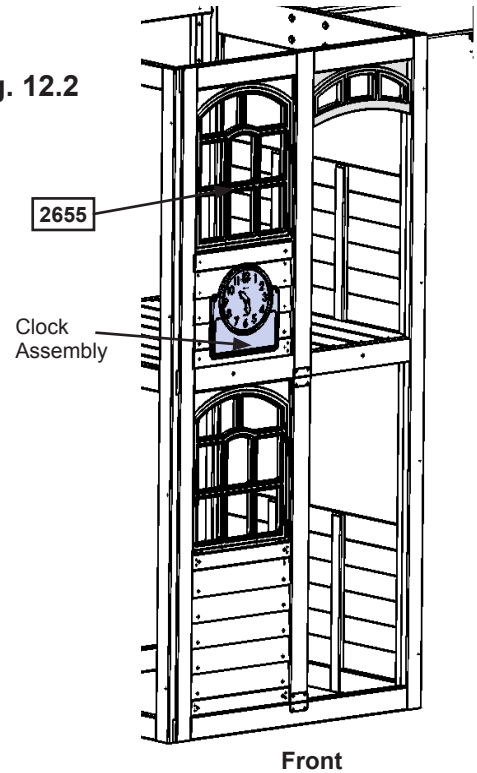
**B:** On the Front of the Assembly place Clock Assembly centred under window of (2655) Upper Window Insert then with a helper attach through insert and into each (2717) Clock Block with 4 (S2) #8 x 1-1/2" Wood Screw, 2 per block. (fig. 12.2, 12.3 and 12.4)

**Do not over tighten screws.**

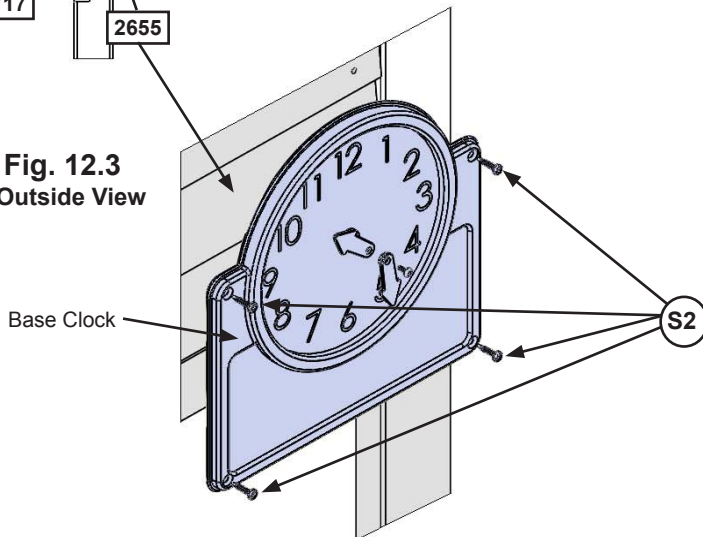
**Fig. 12.1**  
Side View



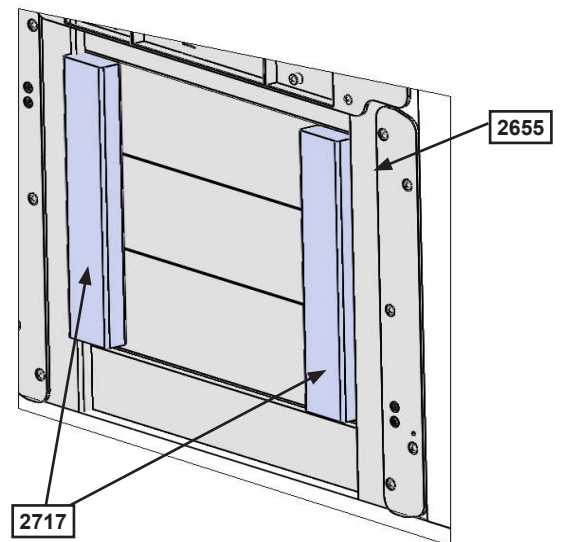
**Fig. 12.2**



**Fig. 12.3**  
Outside View



**Fig. 12.4**  
Inside View



**Wood Parts**

2 x 2717 Clock Block 3/4 x 1-3/4 x 9-3/4"

**Hardware**

4 x S2 #8 x 1-1/2" Wood Screw

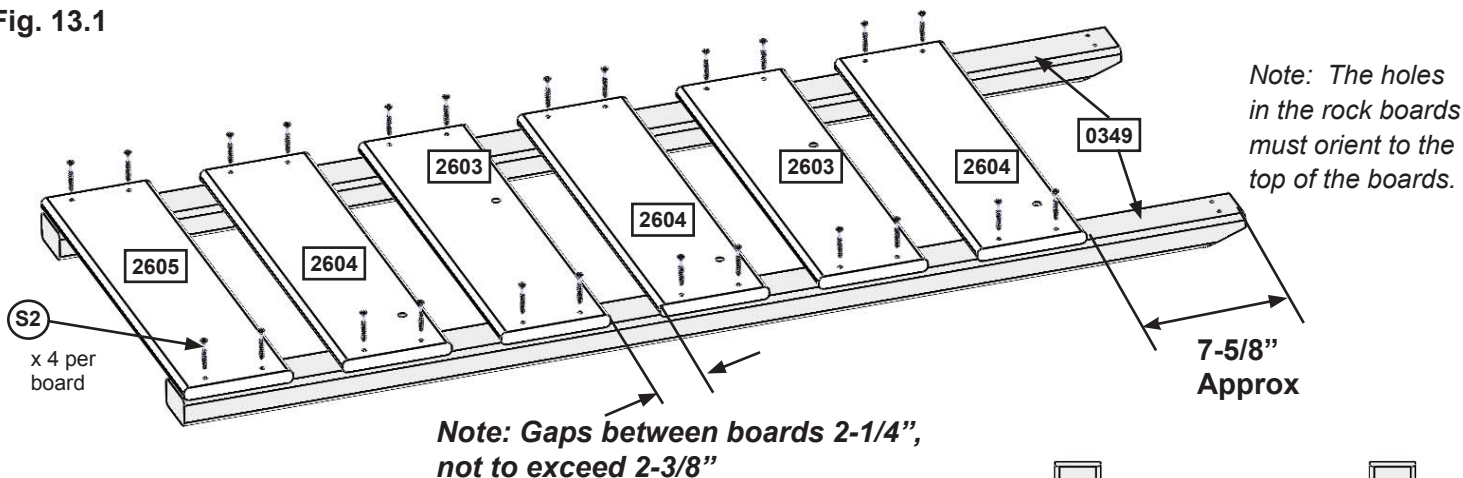
**Other Parts**

1 x Base Clock  
1 x Clock Subset  
1 x Clock Adapter  
1 x Hour Hand  
1 x Minute Hand  
1 x Clock Screw

# Step 13: Rock Wall Assembly



Fig. 13.1



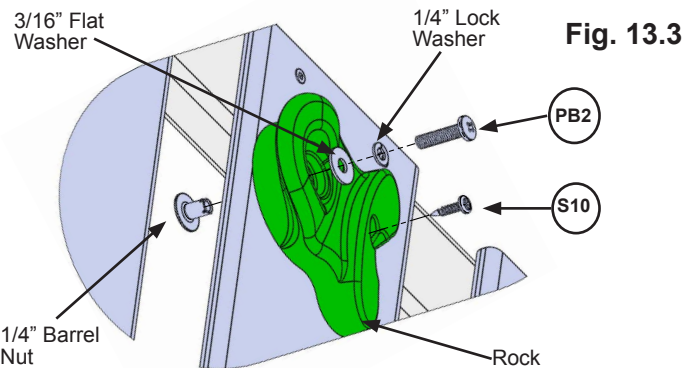
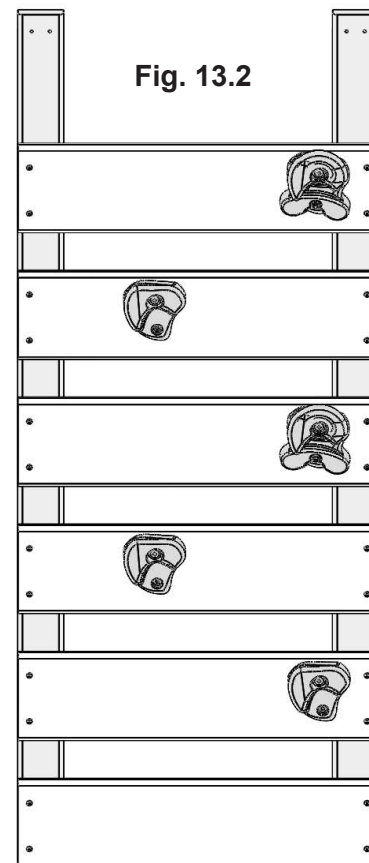
**A:** Lay 2 (0349) Rock Rails down, side by side with angled edges facing down. (fig. 13.1)

**B:** Place (2605) Access Board on the bottom of each (0349) Rock Rail as shown in fig. 13.1. Make sure (2605) Access Board is flush to the outside and bottom edges of each (0349). Attach using 4 (S2) #8 x 1-1/2" Wood Screws.

**C:** 7-5/8" down from the top of both (0349) Rock Rails place 1 (2604) Rock Board B, making sure the sides are flush to the outside edges of each (0349) Rock Rail. Attach using 4 (S2) #8 x 1-1/2" Wood Screws. (fig. 13.1)

**D:** In between the (2605) Access Board and (2604) Rock Board B stagger 2 (2604) Rock Board Bs and 2 (2603) Rock Board As using 4 (S2) #8 x 1-1/2" Wood Screws per board. Placing them as shown in fig. 13.1, this will prevent rocks from forming a straight line. Make sure the boards are evenly spaced and do not exceed 2-3/8" between boards.

Fig. 13.2



**E:** Place 1 rock on each (2603) Rock Board A and (2604) Rock Board B (fig. 13.2) and attach using 1 (PB2) 1/4 x 1-1/4" Pan Bolt (with lock washer, flat washer and barrel nut) and 1 (S10) #8 x 1" Pan Screw per rock. The Screw must be in the hole directly under the Pan Bolt, it will stop the rock from spinning. (fig. 13.3)

### Wood Parts

- 1 x 2605 Access Board 1 x 6 x 19-3/4"
- 3 x 2604 Rock Board B 1 x 6 x 19-3/4"
- 2 x 2603 Rock Board A 1 x 6 x 19-3/4"
- 2 x 0349 Rock Rail 2 x 3 x 51"

### Hardware

- 24 x S2 #8 x 1-1/2" Wood Screw
- 5 x S10 #8 x 1" Pan Screw
- 5 x PB2 1/4 x 1-1/4 Pan Bolt (1/4" lock washer, 3/16" flat washer & 1/4" barrel nut)

### Other Parts

- 5 x Rocks (3 green/2 yellow)



# Step 14: Attach Rock Wall Assembly to Fort

## Part 1

**A:** On the Back of the assembly place Rock Wall Assembly centred in (2618) Front Back Panel opening and flush as shown in fig. 14.1 and 14.2. Attach (0349) Rock Rails to the panel using 4 (S11) #8 x 2" Wood Screws. (fig. 14.2 and 14.3)

**B:** Attach 1 (2605) Access Board to top of Rock Wall Assembly, flush to top of (0349) Rock Rail using 4 (S2) #8 x 1-1/2" Wood Screws. (fig. 14.4)

Fig. 14.1

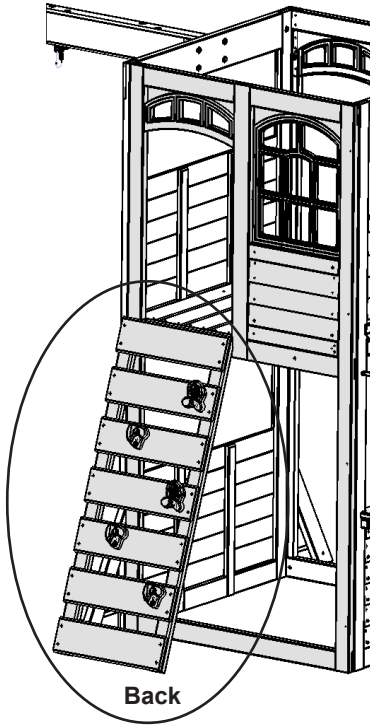


Fig. 14.3

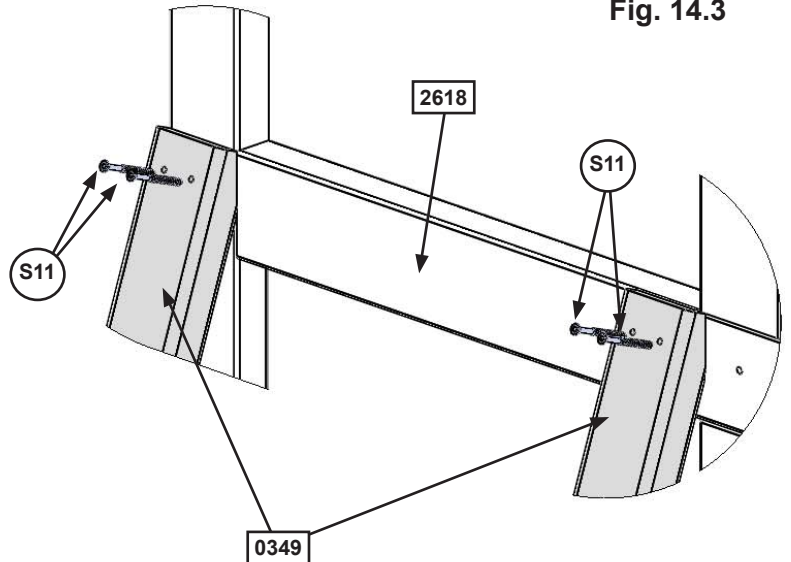
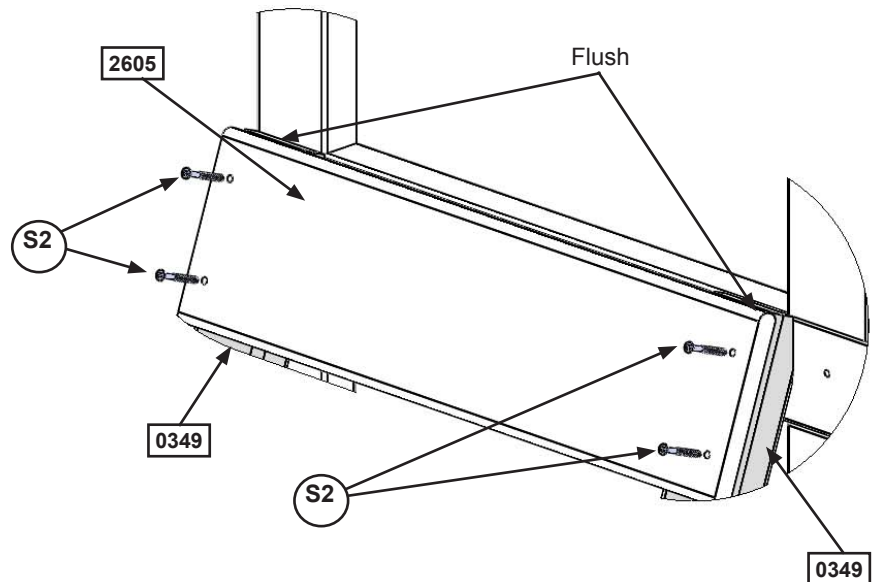
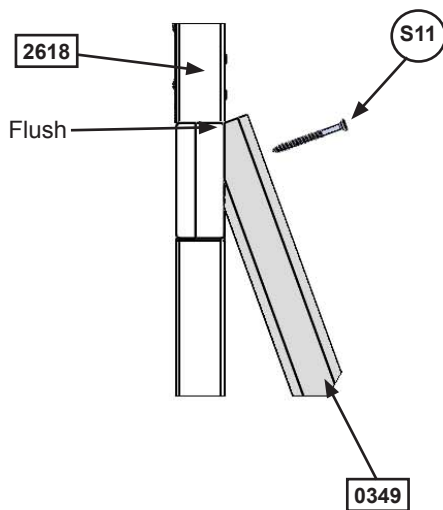


Fig. 14.4

Fig. 14.2



### Wood Parts

1 x [2605] Access Board 1 x 6 x 19-3/4"

### Hardware

4 x (S2) #8 x 1-1/2" Wood Screw

4 x (S11) #8 x 2" Wood Screw

# Step 14: Attach Rock Wall Assembly to Fort

## Part 2

**C:** Drive 1 Rebar Ground Stake 13" into the ground against outside (0349) Rock Rail then attach with 1 (S7) #12 x 2" Pan Screw. Be careful not to hit the washer while hammering stake into the ground as this could cause the washer to break off. (fig. 14.5 and 14.6)

**D:** After driving stake into the ground, check for sharp edges caused by the impact of the hammer. Smooth any sharp edges from impact area and touch up with outdoor paint.

**⚠Warning!** To prevent tipping and avoid potential injury, stakes must be driven 13" into ground. Digging or driving stakes can be dangerous if you do not check first for under-ground wiring, cables or gas lines.

Fig. 14.5

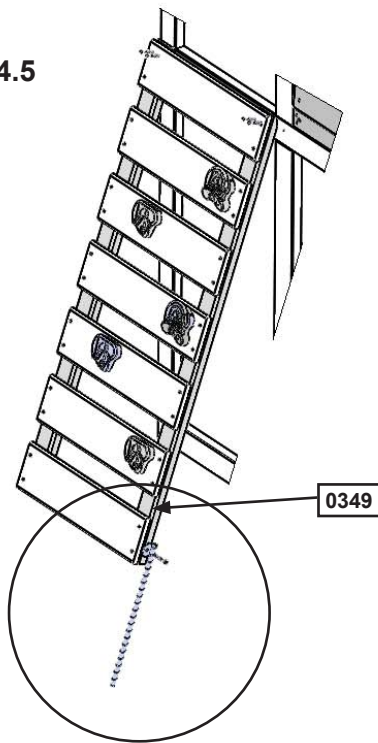
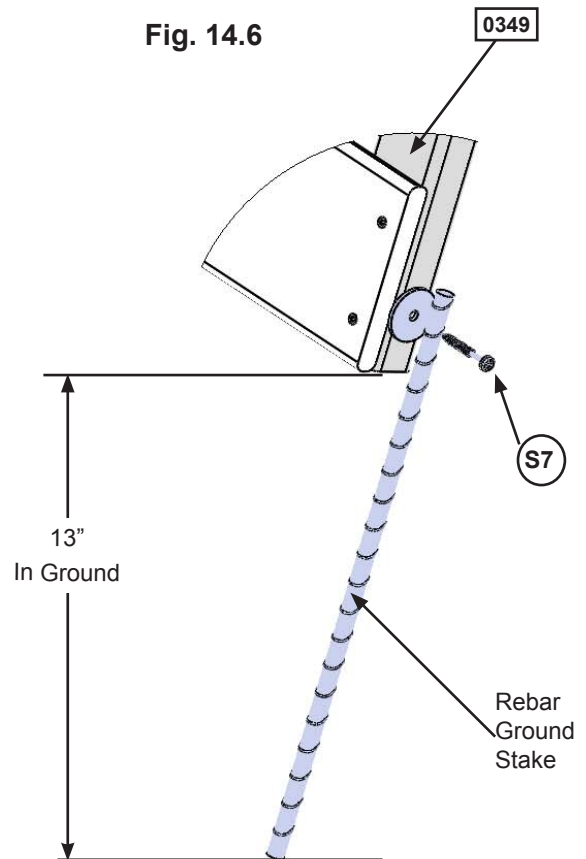


Fig. 14.6



### Hardware

1 x (S7) #12 x 2" Pan Screw

### Other Parts

1 x Rebar Ground Stake

# Step 15: Cafe Table Assembly

**A:** Place (2612) Table Support flush to the notched out ends of (2611) Table Top and attach with 4 (S7) #12 x 2" Pan Screws as shown in fig. 15.1.

**B:** Place Table Top Assembly tight in the opening of (2622) End Panel Assembly tight to top of (2665) Half Wall Insert then attach (2612) Table Support to the panel with 2 (S3) #8 x 2-1/2" Wood Screws. (fig. 15.2 and 15.3)

Fig. 15.1

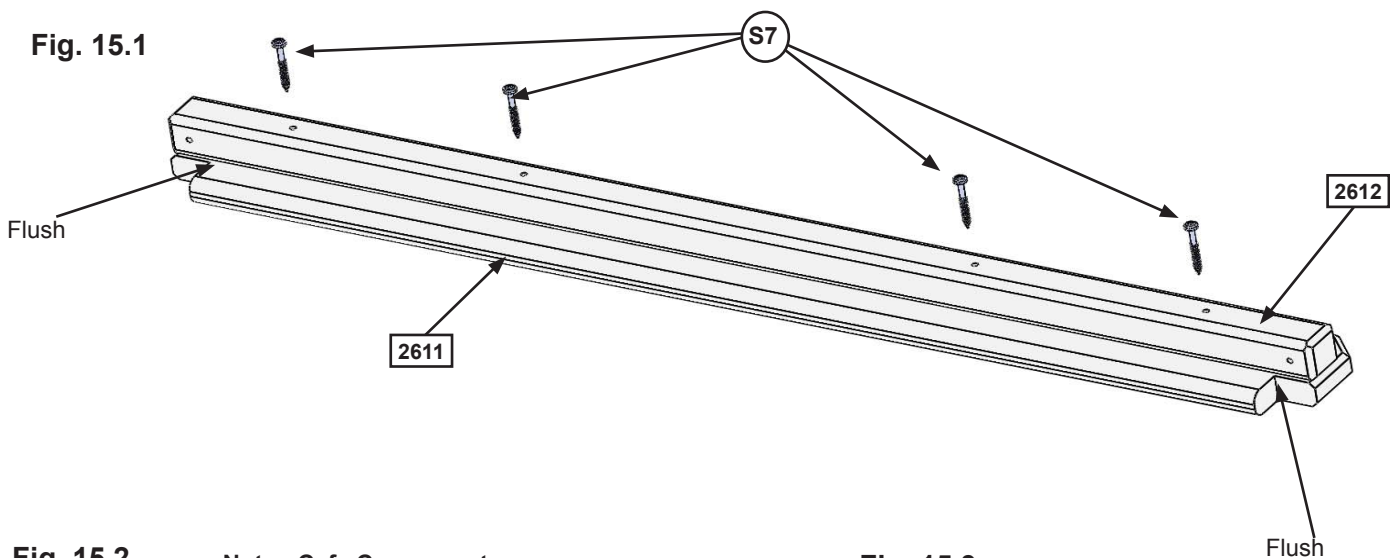


Fig. 15.2

Note: Cafe Canopy not installed until next Step.

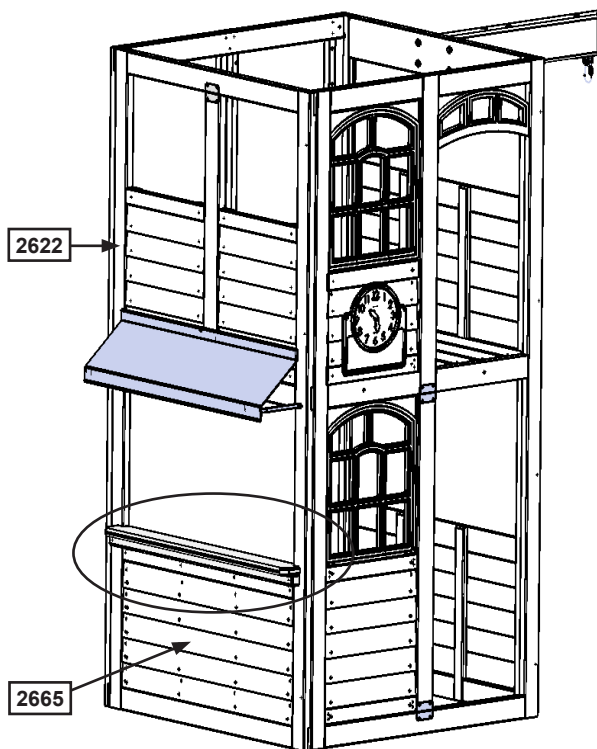
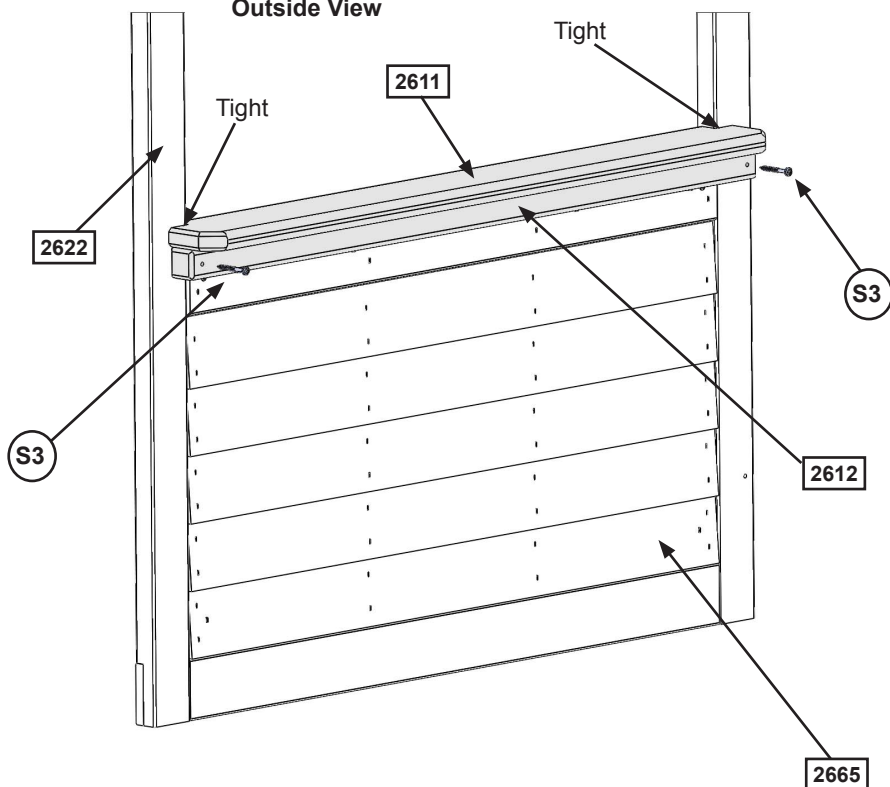


Fig. 15.3  
Outside View



## Wood Parts

- 1 x 2612 Table Support 2 x 2 x 39-5/8"
- 1 x 2611 Table Top 5/4 x 5 x 39-5/8"

## Hardware

- 4 x S7 #12 x 2" Pan Screw
- 2 x S3 #8 x 2-1/2" Wood Screw

# Step 16: Attach Cafe Canopy to Fort

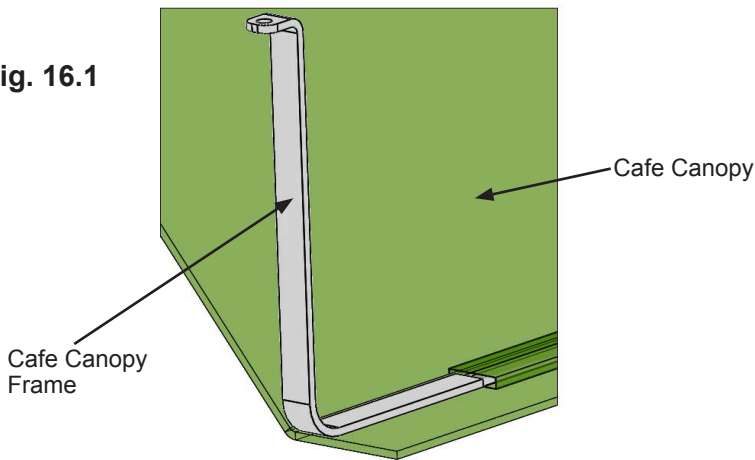


**A:** Feed Cafe Canopy Frame through the pocket of the Cafe Canopy. (fig. 16.1)

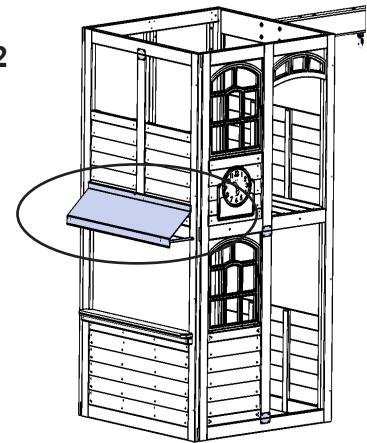
**B:** With a helper hold the Canopy against the fort, centred on (2622) End Panel Assembly (fig. 16.2), make sure the Cafe Canopy is smooth and tight then attach to the panel with 1 (S5) #8 x 1/2" Pan Screw (with #8 flat washer), measure 1-1/2" down from the first screw then attach a second screw and washer. Follow measurements as shown in fig. 16.3 for remaining screws and washers. Measurements must be exact.

**C:** Hold the Cafe Canopy Frame against the panel and attach with 1 (S6) #12 x 1" Pan Screw per side. (fig. 16.3)

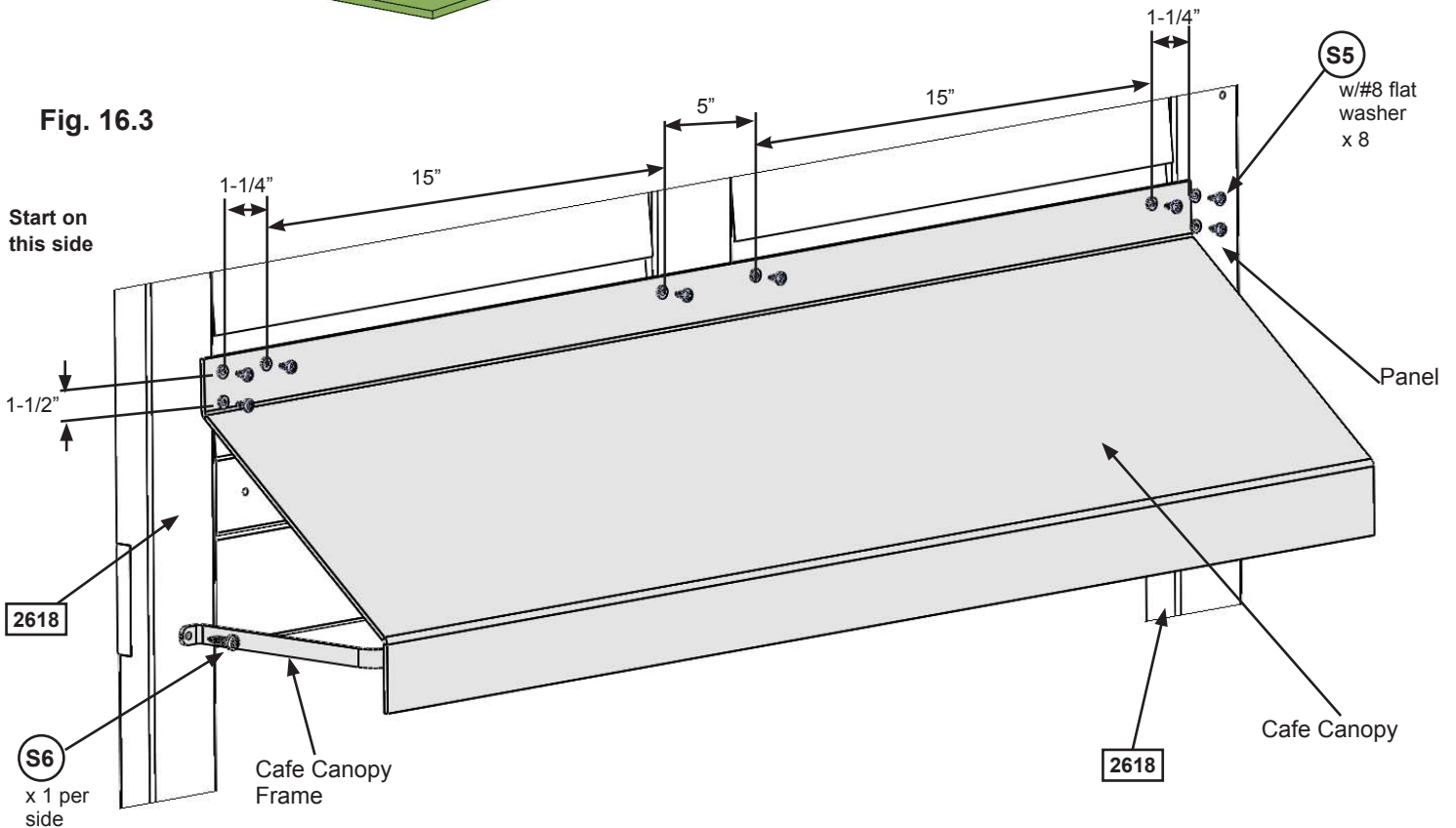
**Fig. 16.1**



**Fig. 16.2**



**Fig. 16.3**



**Hardware**

- 8 x S5 #8 x 1/2" Pan Screw (#8 flat washer)
- 2 x S6 #12 x 1" Pan Screw

**Other Parts**

- 1 x Cafe Canopy Frame
- 1 x Cafe Canopy

# Step 17: Attach Slide to Fort



**A:** Place Slide in the centre of the (2618) Front Back Panel opening at the front of the fort, pre-drill with a 1/8" drill bit then attach slide to fort through the panel using 3 (S7) #12 x 2" Pan Screws. (fig. 17.1, 17.2 and 17.3)

Fig. 17.1

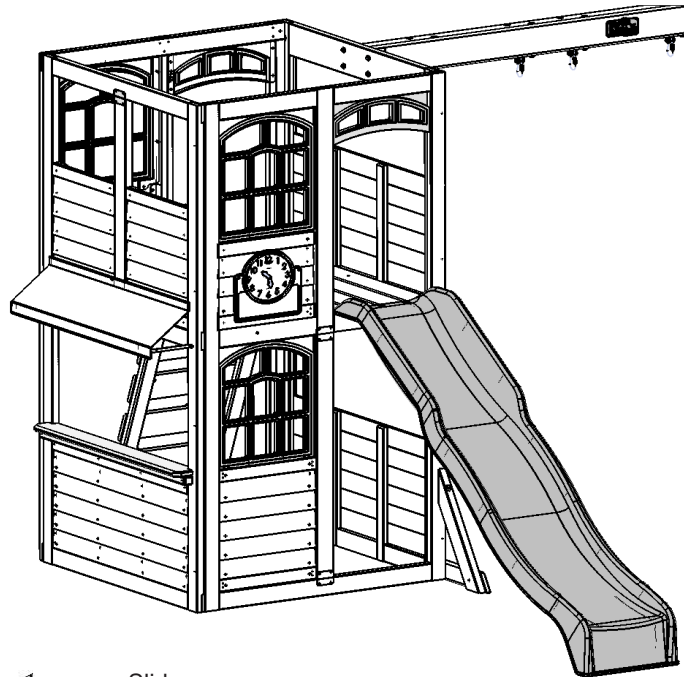


Fig. 17.2

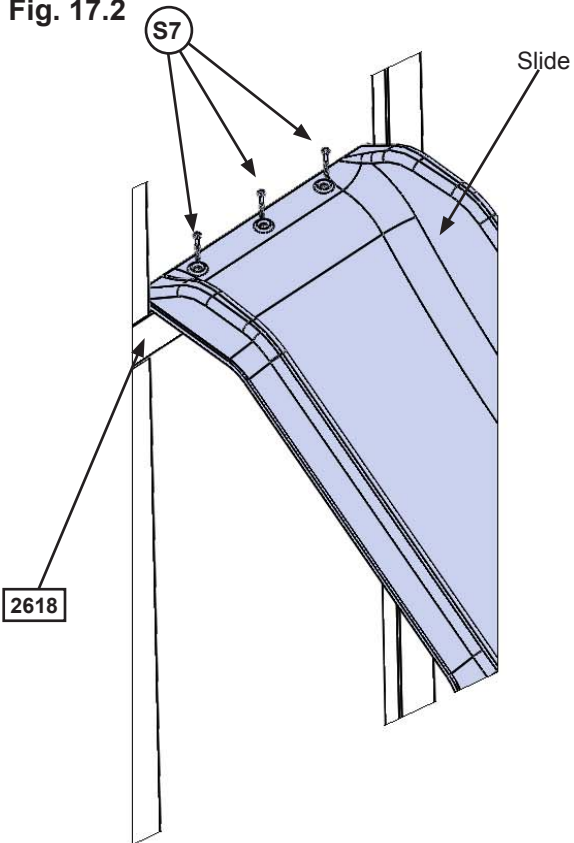
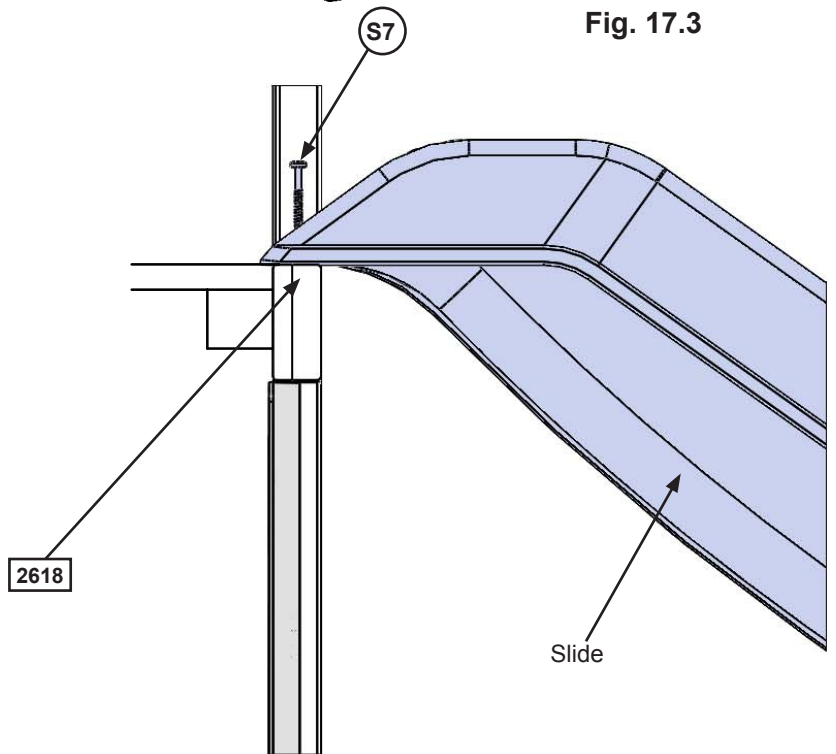


Fig. 17.3



### Hardware

3 x (S7) #12 x 2" Pan Screw

### Other Parts

1 x Slide



# Step 18: Roof Support Assembly

**A:** Attach 1 (2617) Roof Support to a second (2617) Roof Support at peak using 1 (S4) #8 x 3" Wood Screw. Repeat this step so there are 2 Roof Support Assemblies. (fig. 18.1 and 18.2)

Fig. 18.1

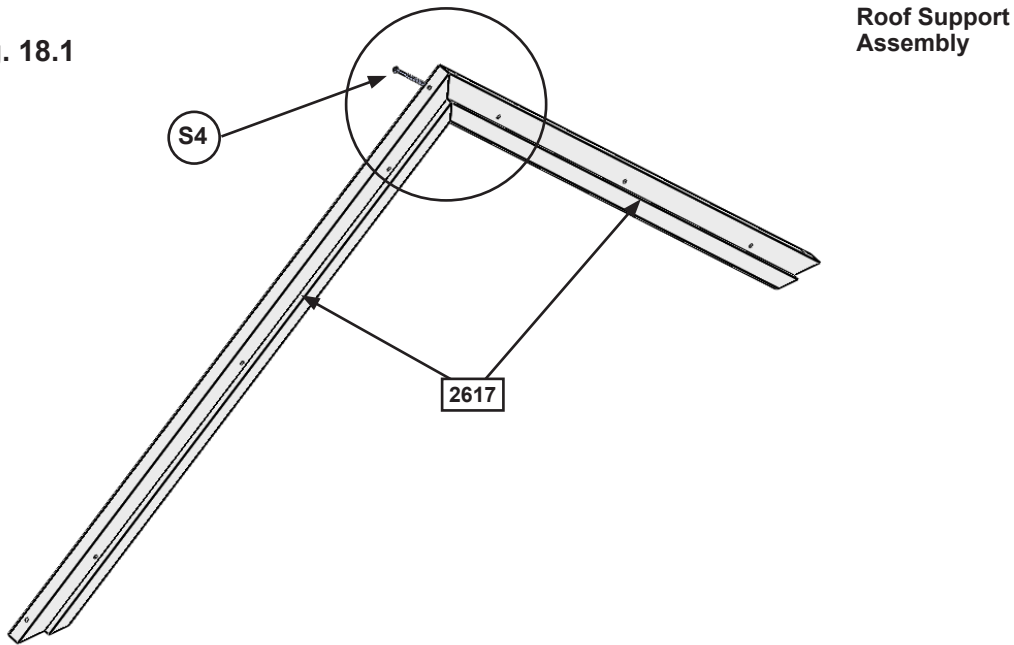
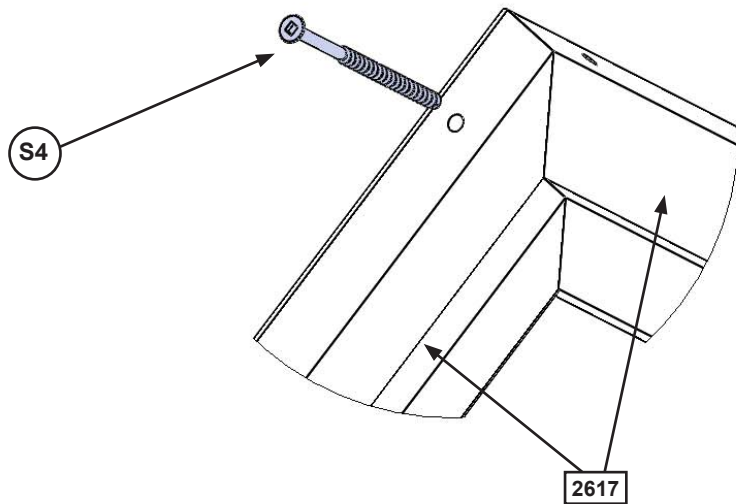


Fig. 18.2



## Wood Parts

4 x **2617** Roof Support 1-1/4 x 2-1/4 x 37-1/2"

## Hardware

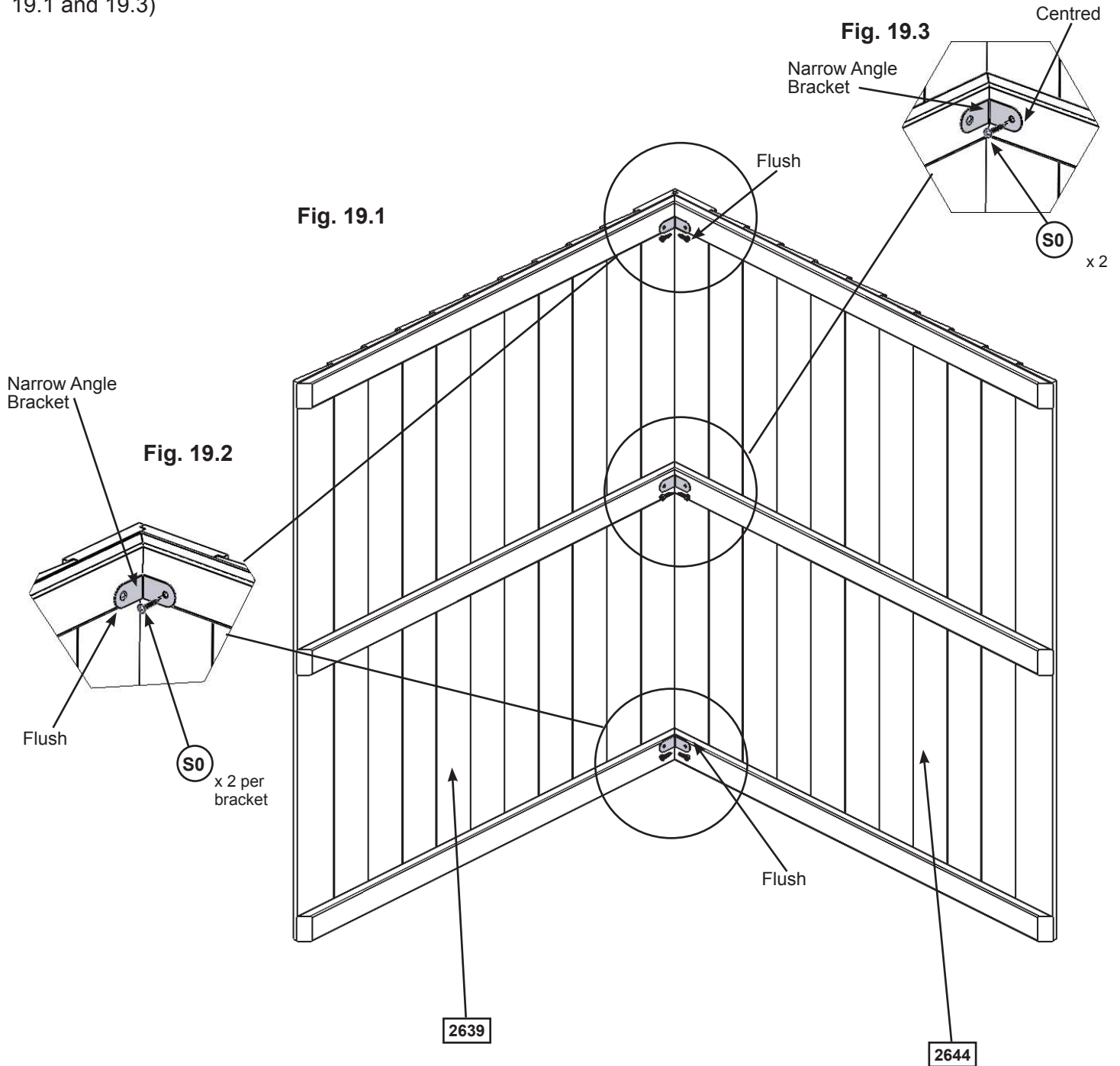
2 x **S4** #8 x 3" Wood Screw

# Step 19: Roof Assembly Part 1



**A:** Place (2644) Front Roof Panel against (2639) Back Roof Panel so the tops form a peak then tight to the inside edge of the outside slats attach 1 Narrow Angle Bracket per slat with 2 (S0) #8 x 7/8" Truss Screws per bracket. (fig. 19.1 and 19.2)

**B:** Attach the third Narrow Angle Bracket centred on the middle slat with 2 (S0) #8 x 7/8" Truss Screws. (fig. 19.1 and 19.3)



### Wood Parts

- 1 x 2644 Front Roof Panel 1-1/4 x 37 x 44"
- 1 x 2639 Back Roof Panel 1-1/4 x 36-3/4 x 44"

### Hardware

- 6 x S0 #8 x 7/8" Truss Screw

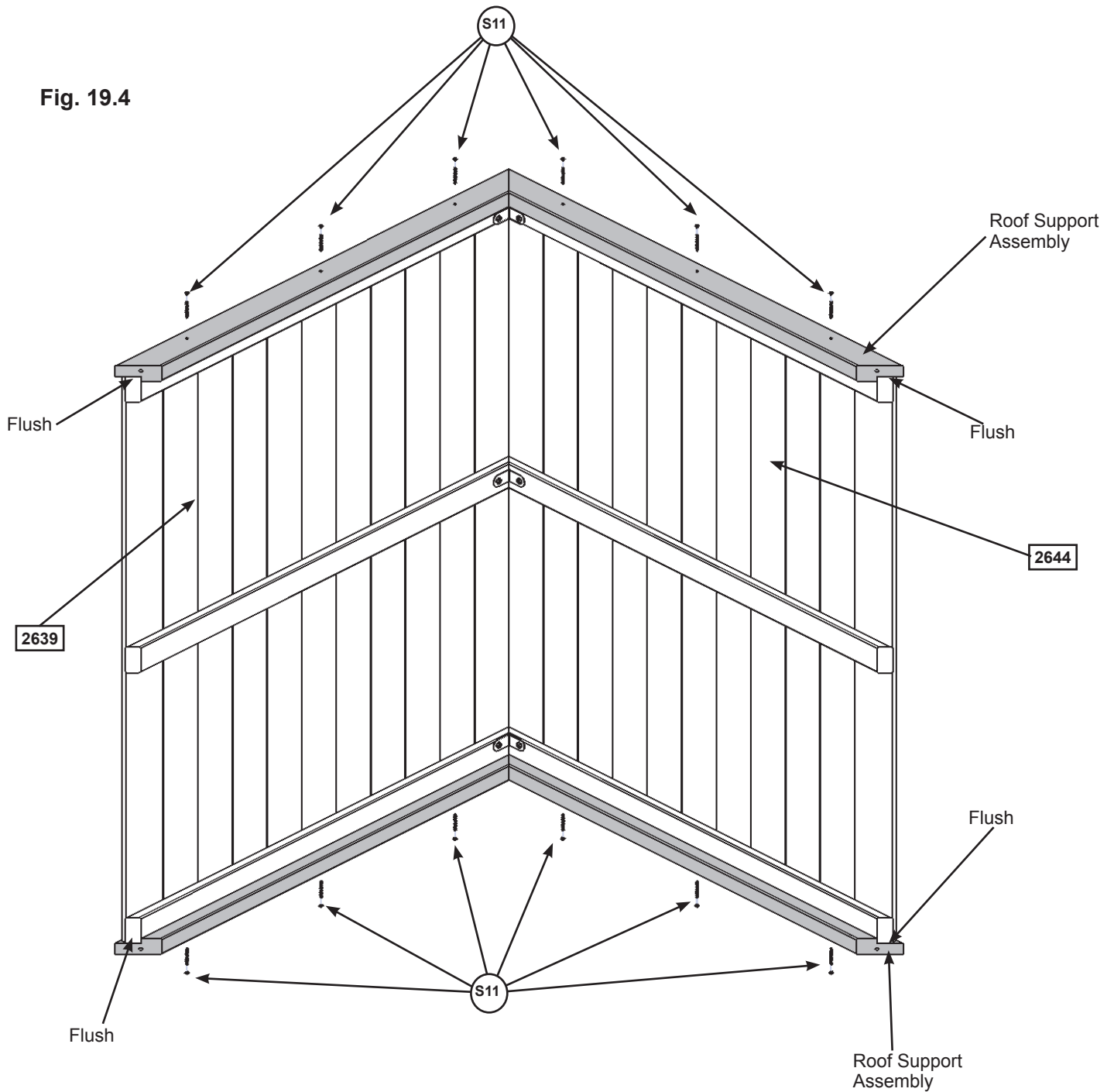
### Other Parts

- 3 x Narrow Angle Bracket

# Step 19: Roof Assembly Part 2

**C:** Place 1 Roof Support Assembly against one side so the peaks meet and the ends of the roof supports are flush with the ends of the roof panels. Attach with 6 (S11) #8 x 2" Wood Screws. (fig. 19.4)

**D:** Attach the second Roof Support Assembly on the opposite side, peaks to meet and ends are flush with 6 (S11) #8 x 2" Wood Screws. (fig. 19.4)



## Hardware

12 x (S11) #8 x 2" Wood Screw

## Step 20: Attach Sky Gable

**A:** Attach 1 Sky Gable to the inside of the (2617) Roof Supports on each side of the Roof Assembly with 4 (S5) #8 x 1/2" Pan Screws per Sky Gable. (fig. 20.1 and 20.2)

Fig. 20.1

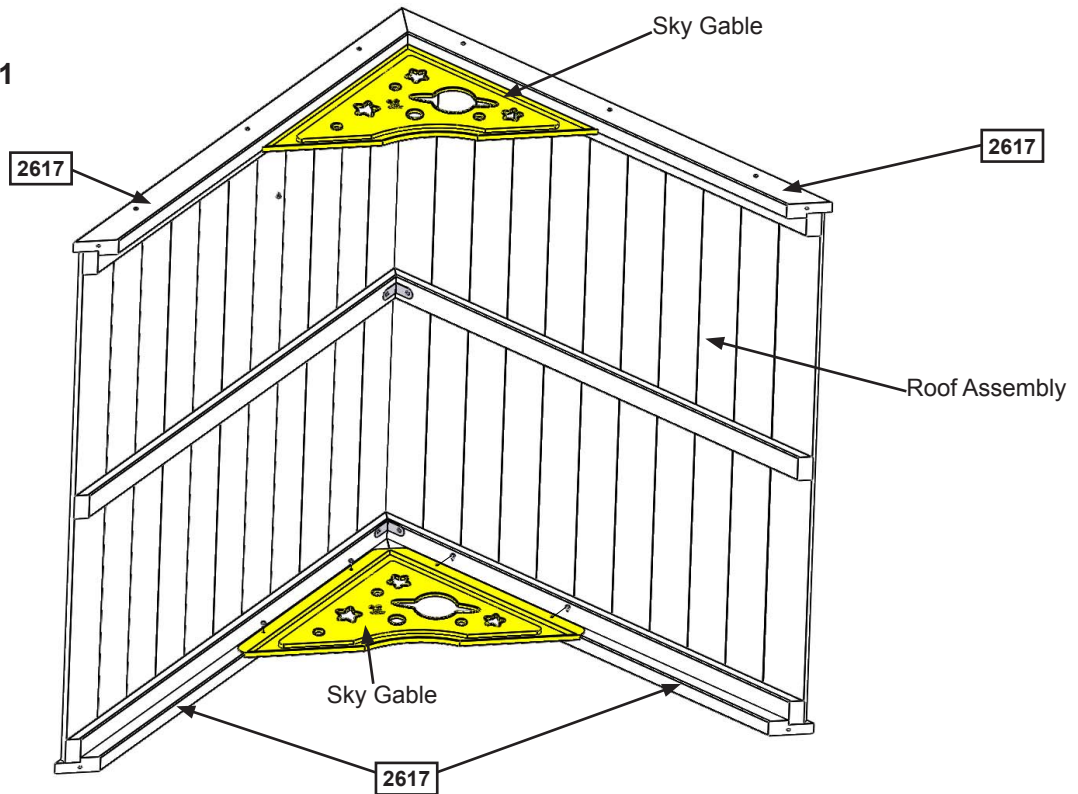
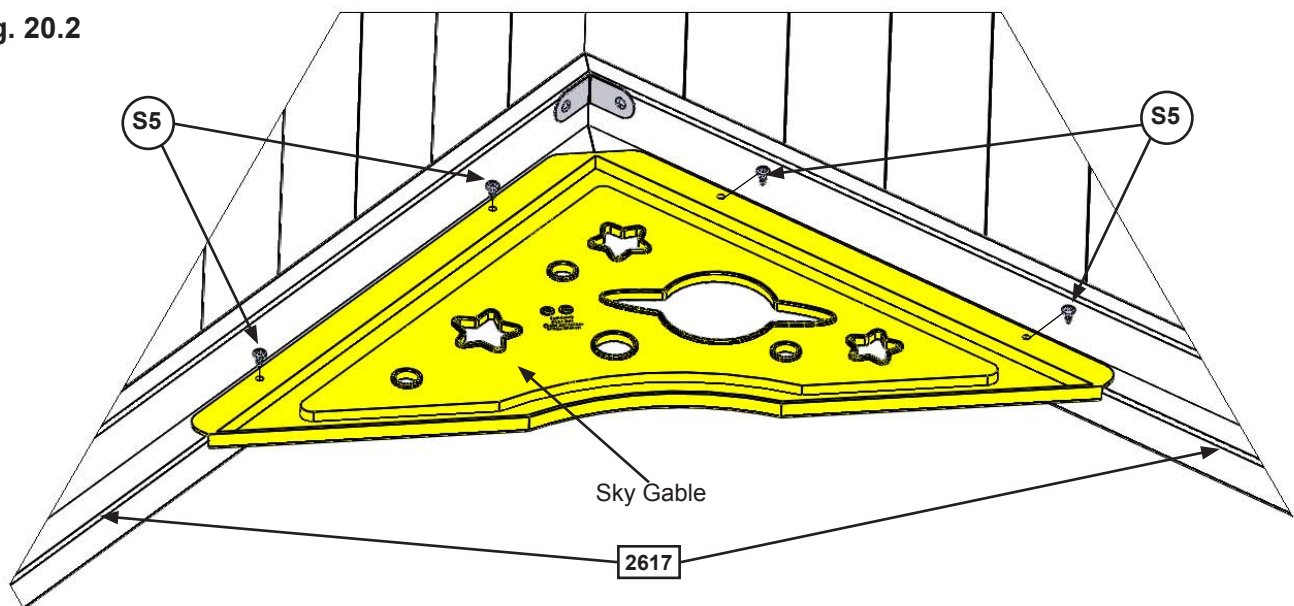


Fig. 20.2



### Hardware

8 x (S5) #8 x 1/2" Pan Screw

### Other Parts

2 x Sky Gable

# Step 21: Attach Roof Ends



**A:** Place 2 (2646) Roof Ends flush to the top and right hand side of the panels and 2 (2647) Roof End Lefts flush to the top and left hand side of the panels, measure overhang so it is 4-7/8" then attach with 2 (S11) #8 x 2" Wood Screws and 1 (S4) #8 x 3" Wood Screw. (fig. 21.1, 21.2 and 21.3)

Fig. 21.1

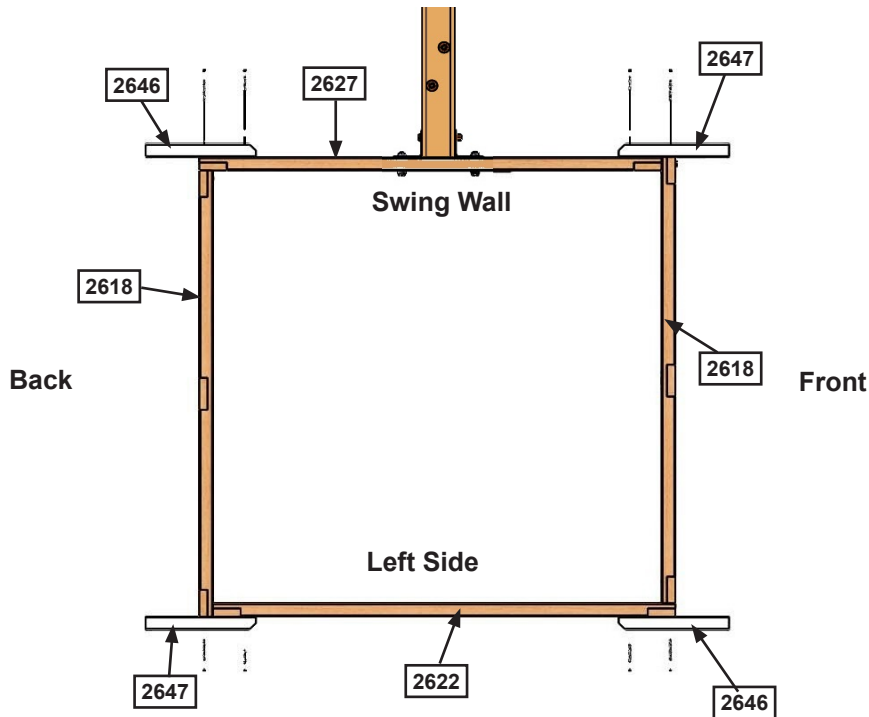


Fig. 21.2  
Side View

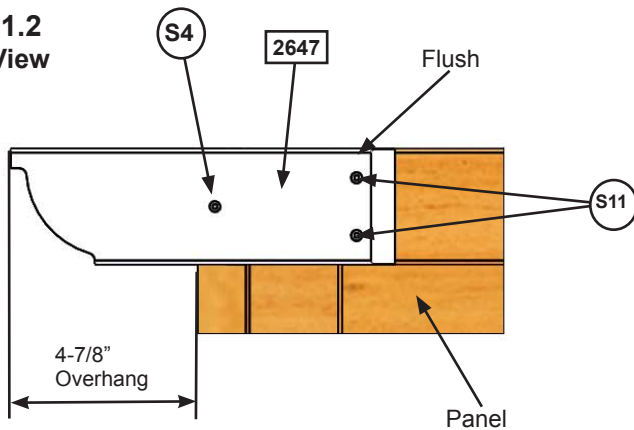
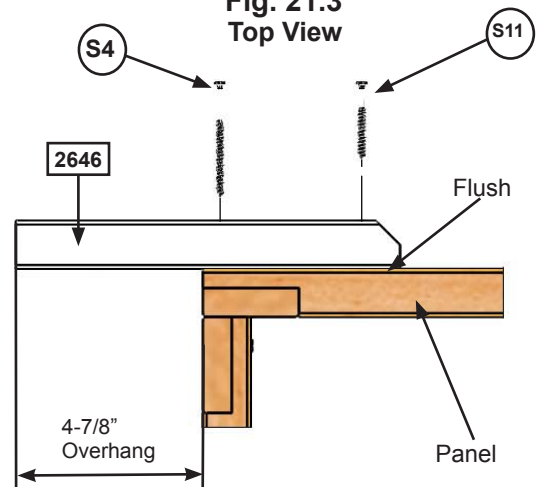


Fig. 21.3  
Top View



### Wood Parts

- 2 x 2646 Roof End 1-1/4 x 3 x 10"
- 2 x 2647 Roof End Left 1-1/4 x 3 x 10"

### Hardware

- 4 x S4 #8 x 3" Wood Screw
- 8 x S11 #8 x 2" Wood Screw

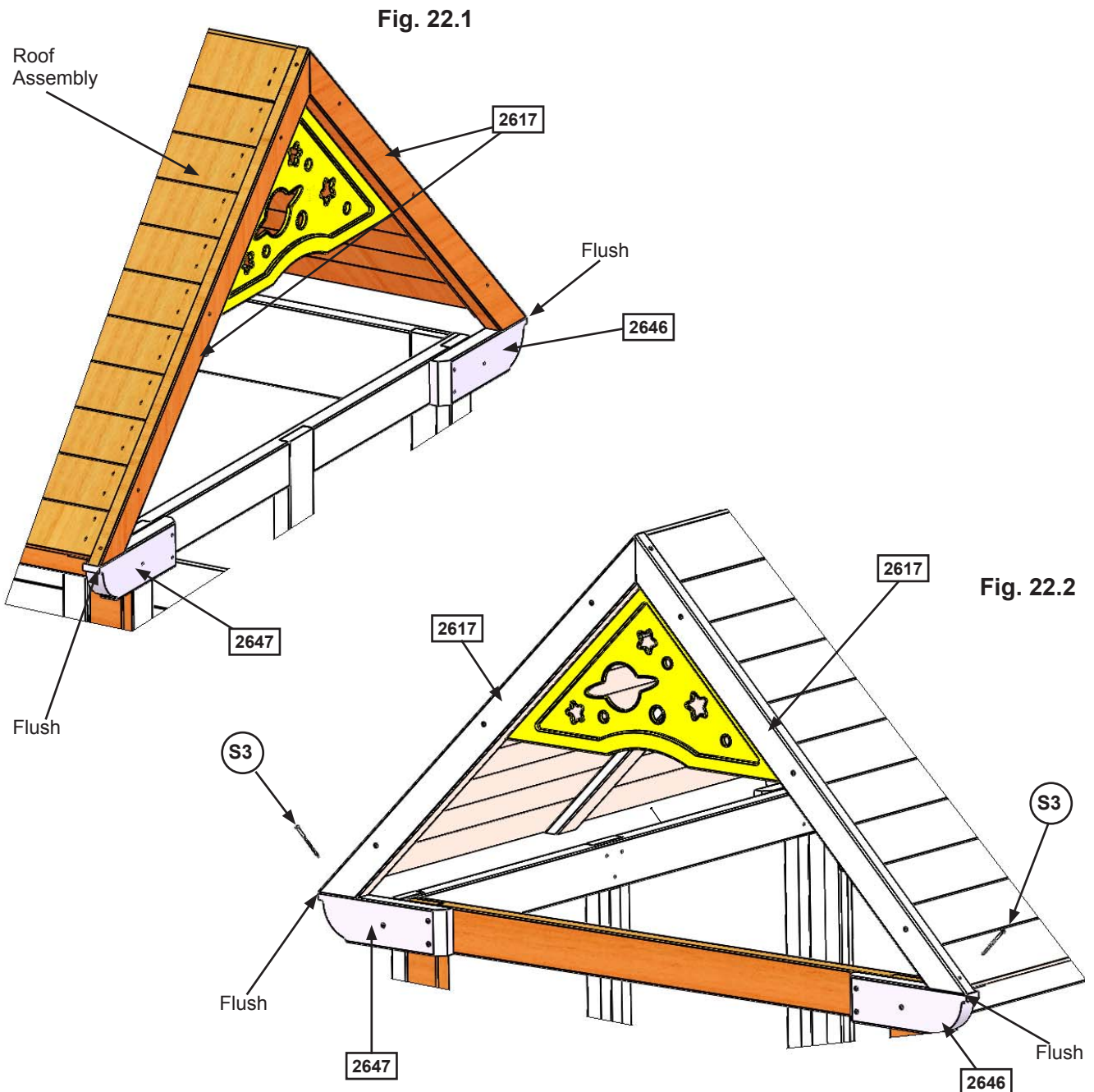


## Step 22: Attach Roof Assembly to Fort



**A:** With 2 people on the ground and at least 1 person in the fort, lift the Roof Assembly up and over the Back side of the fort. Guide the Roof Assembly onto the fort so all four (2617) Roof Supports sit flush to the front and outside edges of (2646) Roof End and (2647) Roof End Left. (fig. 22.1 and 22.2)

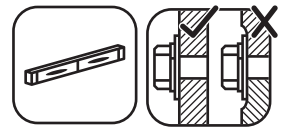
**B:** Attach (2617) Roof Supports to (2646) Roof End and (2647) Roof End Left with 1 (S3) #8 x 2-1/2" Wood Screw per support. (fig. 22.2)



### Hardware

4 x S3 #8 x 2-1/2" Wood Screw

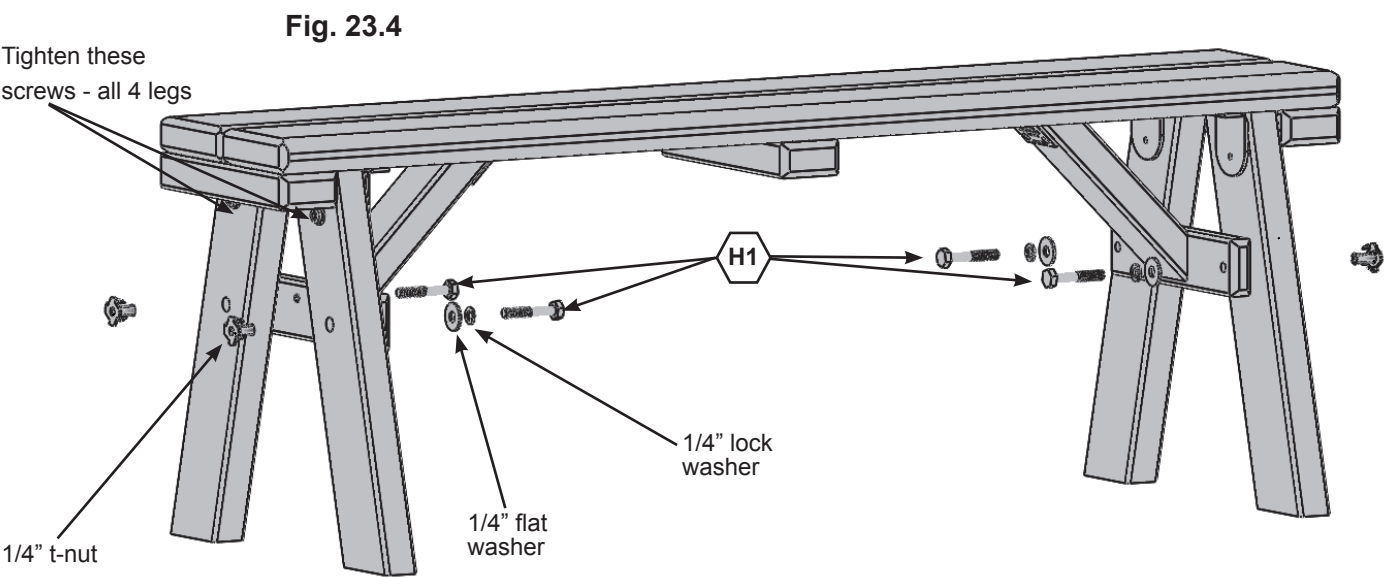
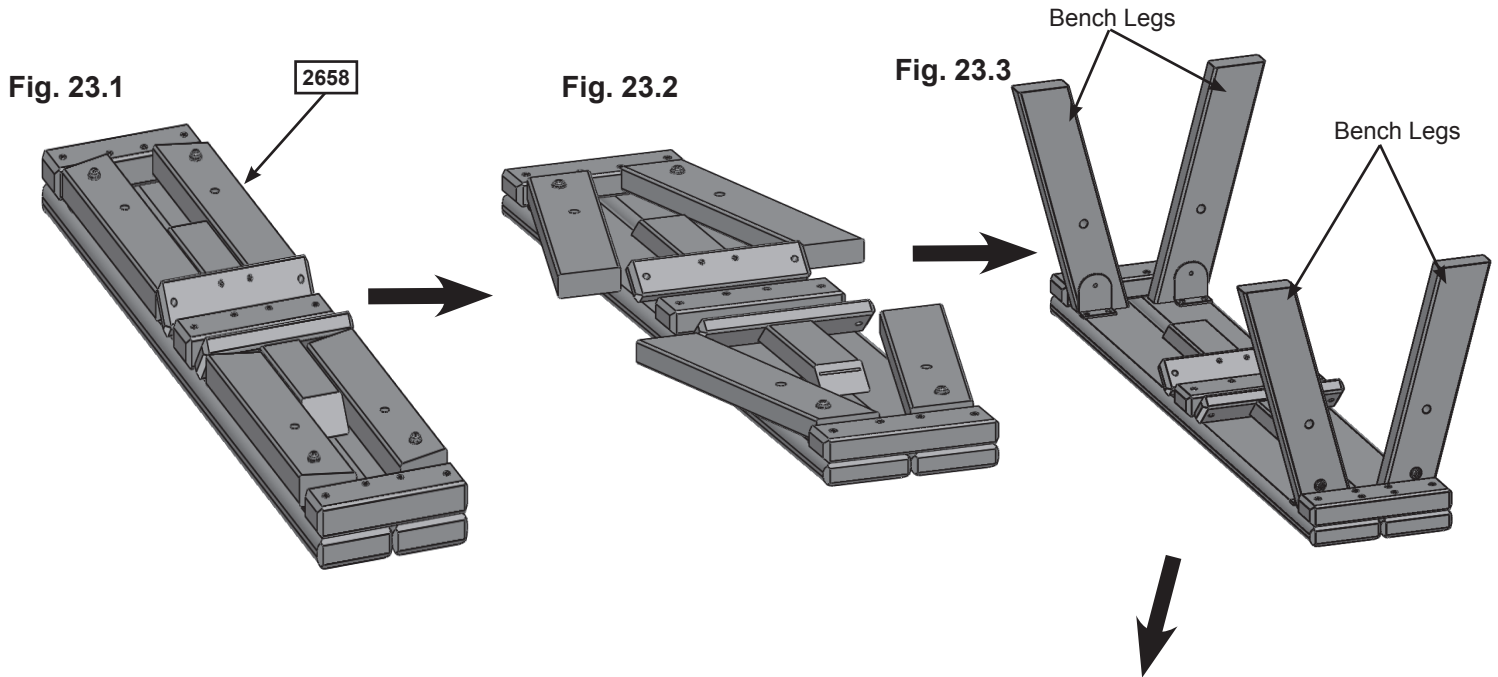
# Step 23: Bench Assembly



**A:** Open the (2658) Folding Bench Assembly. (fig. 23.1, 23.2 and 23.3)

**B:** Make sure assembly is level then secure with 2 (H1) 1/4 x 1-1/2" Hex Bolts (with lock washer, flat washer and t-nut) per side. (fig. 23.4)

**C:** Tighten the top screws in all 4 Bench Legs. (fig. 23.4)



### Wood Parts

1 x 2658 Folding Bench 2-13/32 x 6-3/4 x 34"

### Hardware

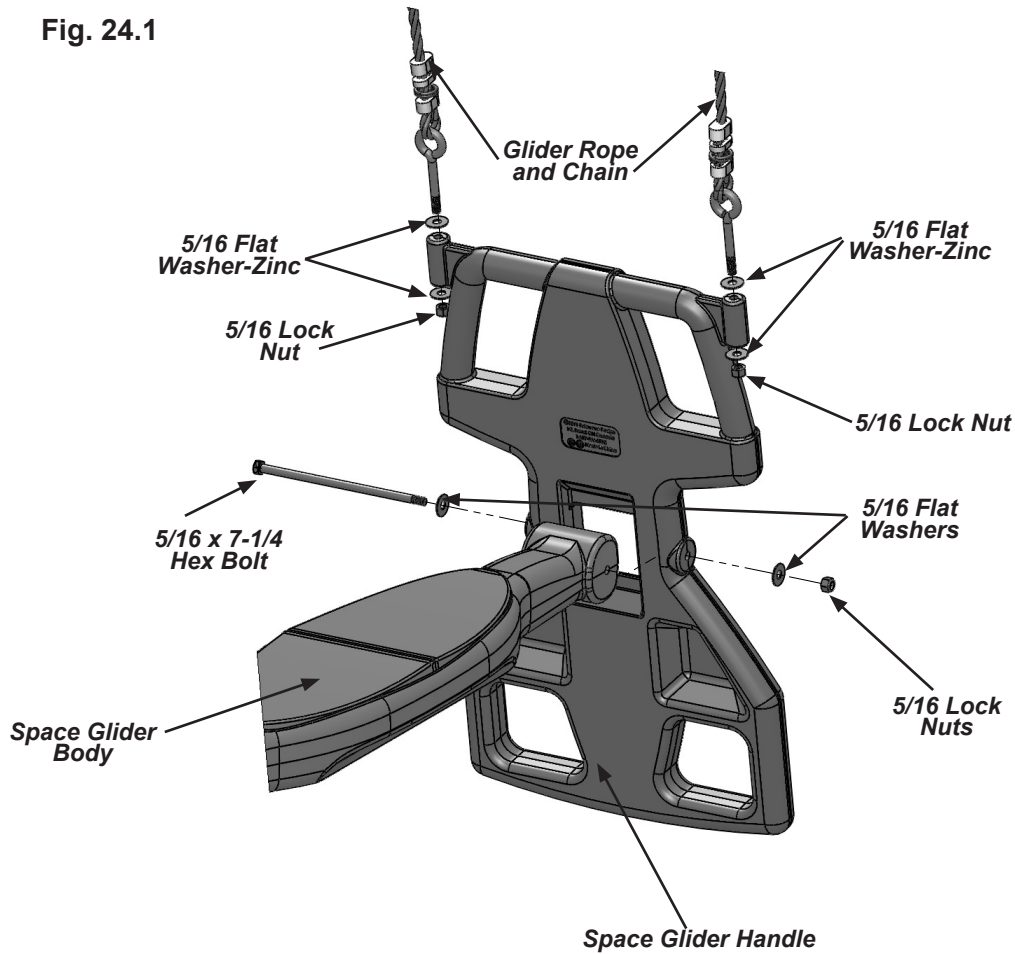
4 x H1 1/4 x 1-1/2" Hex Bolt  
(1/4" lock washer, 1/4" flat washer, 1/4" t-nut)

## Step 24: Glider Assembly

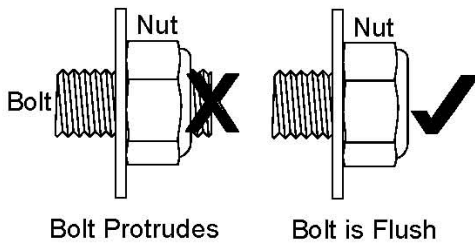
**A:** Attach 1 Space Glider Handle to the Space Glider Body using 1 (G25) 5/16 x 7-1/4" Hex Bolt (with 2 flat washers and 1 lock nut). Repeat for the second Space Glider Handle. (fig. 24.1)

**B:** Install 2 Glider Rope with Chains into each Space Glider Handle using 2 - 5/16" Flat Washers and 1 Lock Nut per rope. (fig. 24.1)

Fig. 24.1



**Warning!** Bolt must not exceed 1/2 thread past the nut



### Hardware

2 x  5/16 x 7-1/4" Hex Bolt  
(5/16" flat washer x 2, 5/16" lock nut)

8 x 5/16" Flat Washer

4 x 5/16" Lock Nut

### Other Parts

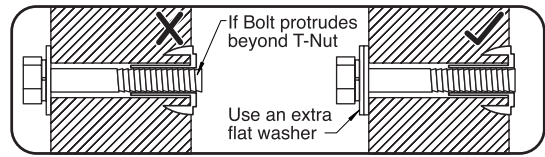
2 x Space Glider Handle

1 x Space Glider Body

1 x Glider Rope and Chain (pkg of 4)

## Step 25: Attach Belt Swings and Glider

**⚠ Warning!** Check entire play centre for bolts protruding beyond t-nuts. Use extra washers to eliminate this condition.



**A:** Attach 2 Belt Swings and assembled Space Glider to the hangers then tighten all Quick Links with an adjustable wrench. (fig. 25.1 and 25.2)

Fig. 25.1

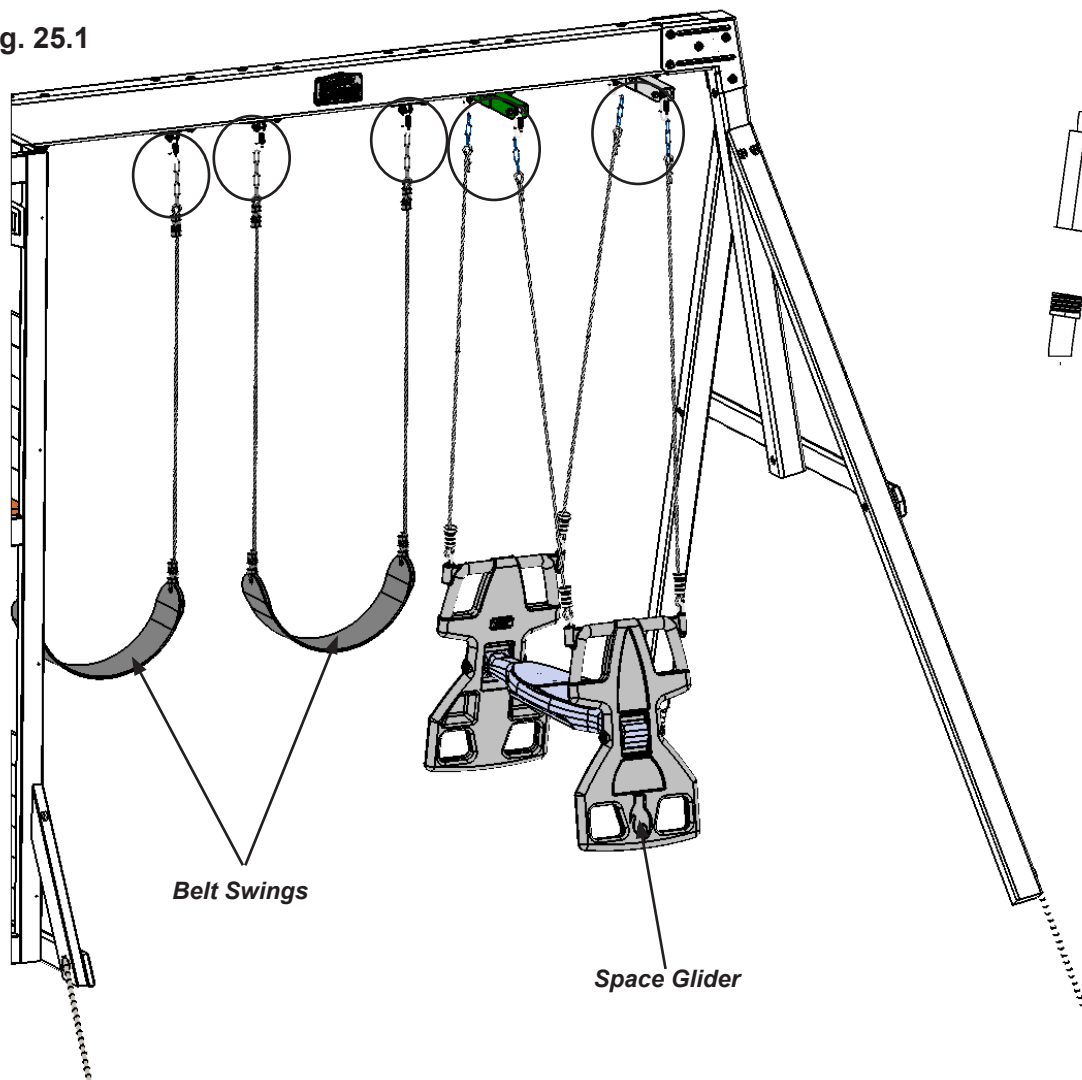
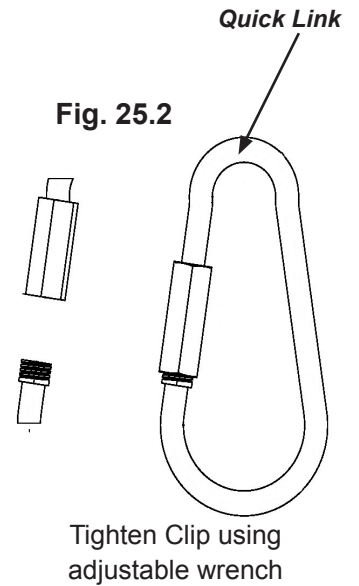


Fig. 25.2



**Other Parts**  
2 x Belt Swings

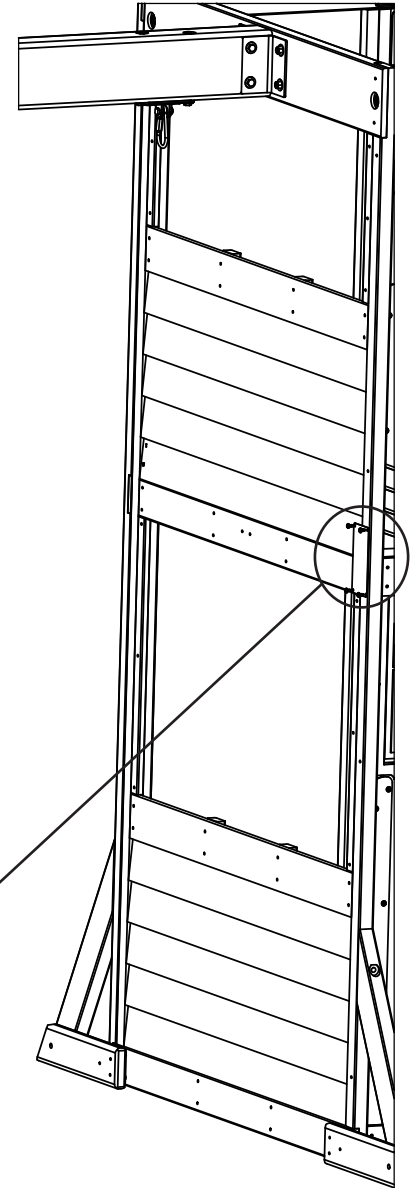
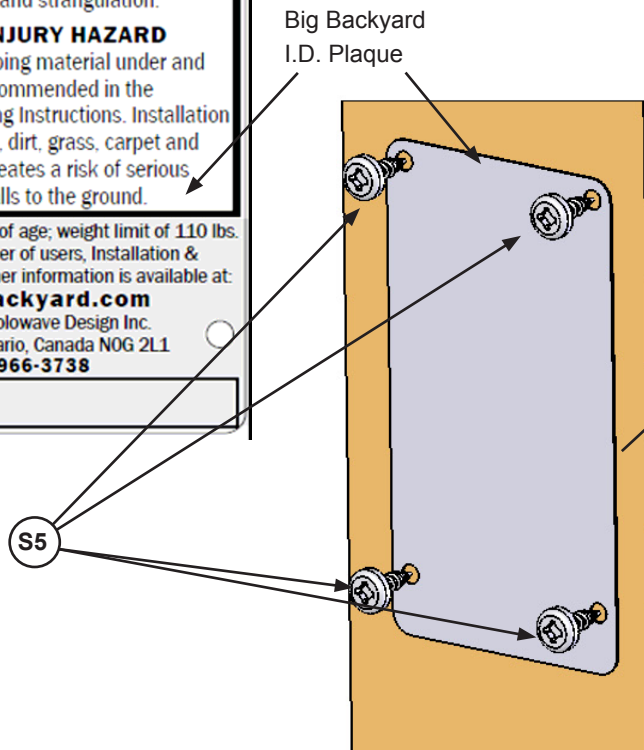
# Final Step: Attach I.D. Plaque

## ATTACH THIS WARNING & I.D. PLAQUE TO THIS LOCATION ON YOUR PLAY EQUIPMENT!


This provides warnings concerning safety and important contact information. A Tracking Number is provided to allow you to get critical information or order replacement parts for this specific model.



A: Attach Big Backyard I.D. Plaque to a location on your set that is easily seen and read by a supervising adult using 4 (S5) #8 x 1/2" Pan Screws as shown below.



### Hardware

4 x  #8 x 1/2" Pan Screw

### Other Parts

1 x Big Backyard I.D. Plaque







**BIG BACKYARD**  
**Consumer Registration Card**

First Name \_\_\_\_\_ Initial \_\_\_\_\_ Last Name \_\_\_\_\_

Street \_\_\_\_\_ Apt. No. \_\_\_\_\_

City \_\_\_\_\_ State/Province \_\_\_\_\_ ZIP/Postal Code \_\_\_\_\_

Country \_\_\_\_\_ Telephone Number \_\_\_\_\_

E-Mail Address \_\_\_\_\_

Model Name \_\_\_\_\_ Model Number \_\_\_\_\_ (Box Labels) \_\_\_\_\_

Serial Number (on ID Plaque) \_\_\_\_\_

Date Purchase \_\_\_\_\_ Purchased From \_\_\_\_\_  
MM / DD / YY

How would you rate this product for quality?  
 Excellent     Very Good     Average     Below Average     Poor

How would you rate this product for ease of assembly?  
 Excellent     Very Good     Average     Below Average     Poor

How would you rate our instructions?  
 Excellent     Very Good     Average     Below Average     Poor

How would you rate the quality of packaging?  
 Excellent     Very Good     Average     Below Average     Poor

Would you recommend the purchase of our products to friends and family?  
 Yes     No

Comments: \_\_\_\_\_  
\_\_\_\_\_  
\_\_\_\_\_

**MAIL TO:**  
Solowave Design™  
375 Sligo Road W.  
Mount Forest, Ontario, Canada  
NOG 2LO  
Attention: Customer Service



Fill out your registration card online at  
**[www.bigbackyard.com/ownerslounge](http://www.bigbackyard.com/ownerslounge)**  
Big Backyard would like to say Thank You for  
your time and feedback.

