

USER'S MANUAL

BV7260B

BLUETOOTH®-ENABLED

DIGITAL MEDIA AM/FM RECEIVER

FEATURING 3.2" (81mm) WIDESCREEN DIGITAL TFT MONITOR



BOSS®
AUDIO SYSTEMS

CONTENTS

Safety Precautions.....	2-3
Installation.....	4-6
Wiring Connections.....	7
Basic Operation.....	8
Radio Operation.....	9-10
USB/SD Operation.....	11
Bluetooth Operation.....	12-13
Other Operations.....	14
Maintenance.....	15
IR Remote Control.....	16
Simple Troubleshooting Guide.....	17
Specifications.....	18

SAFETY PRECAUTIONS

⚠ Important Warnings to Take Note of BEFORE Commencing Installation

⚠ Damage Caused By Incorrect Installation or Usage is NOT Covered By Warranty.

PLEASE Take the Time to Read the Installation Notes Carefully.

⚠ To Validate the Warranty Please Ensure That the Unit is Installed by a Professional, VAT registered Car Audio Installation Company.

- **To avoid short in your vehicles electrical system, be sure to disconnect the battery cable before beginning installation.**
- The unit is intended for vehicles with a 12-volt battery and negative grounding.
- Before installing the unit in a recreational vehicle, truck, or bus, check that the battery voltage is 12 volts.
- **Remove the two transport screws from the top of the unit before installation.**
- Be sure to connect the negative (-) speaker leads to the negative (-) speaker terminal. Never connect the negative (-) speaker leads to chassis ground.
- This unit is only designed for use with 4 speakers. Do not combine outputs for use with 2 speakers. Do not ground negative speaker leads to the chassis ground.
- Speakers connected to this unit must be high-power units with a minimum rating of 45W and impedance of 4 to 8 ohms. Connecting speakers with output and/or impedance values other than those noted there will result in damage to the head unit and the speakers.
- **Check the condition off your speakers carefully - connecting the unit to old or degraded speakers may result in a fault which will damage the audio IC and invalidate the warranty.**

If this unit is installed in a vehicle that does not have an ACC (accessory) position on the ignition switch, the red lead of the unit should be connected to a terminal coupled with ignition switch ON/OFF operations. If this is not done, the vehicle battery may be drained when you are away from the vehicle for several hours.

SAFETY PRECAUTIONS

- Secure the wiring with cable clamps or adhesive tape. To protect the wiring, wrap adhesive tape around them where they lie against metal parts. To avoid short-circuiting, cover all disconnected lead with insulating tape. There is a possibility of short-circuiting if the leads are not insulated.
 - Route and secure all wiring so it cannot touch any moving parts, such as the gear lever and handbrake. Do not route wiring in places that get hot, such as near the heater outlet. If the insulation of the wiring melts or gets torn, there is a danger of the wiring short circuiting to the vehicle's body.
 - Don't pass the yellow lead through a hole into the engine compartment to connect to the battery. This will damage the lead's insulation and cause a very dangerous short.
 - Do not shorten any leads, if you do, the protection circuit may fail to work when it should.
 - Never feed power to other equipment by cutting the insulation of the power supply lead of the unit and tapping into the lead. The current capacity of the lead will be exceeded, causing overheating.
 - Since a unique audio I/C circuit is employed, never wire so the speaker leads are directly grounded or the left and right - speaker leads are common.
 - When this product's source is switched ON, a control signal is outputted through the orange lead. Connect to an external power amp's system remote control or the car's Auto-antenna relay control terminal (max. 300mA 12V DC). If the car features a glass antenna, connect to the antenna booster power supply terminal.
 - When an external power amp is being used with this system, do not connect the orange lead to the amp's power terminal. Such connection could cause excessive current drain and a major malfunction. Refer to the relevant owner's manual for details on connecting the power amp and other units, then make the connections correctly.
 - Do not block any vents or heater panels, Blocking them will cause heat to build up and may result in fire.
 - If noise is still experienced when the motor of the vehicle accelerates, a choke should be placed in line with the power to the unit. The installation company will know what is required.
 - When replacing the fuse(s) the replacement must be of the same amperage as shown on the fuse holder. Never replace a fuse with another of a different value. If the fuse blows again please contact your installation company.
 - Double check that all wiring and connections are correct before re-connecting the battery and turning on the unit.
- After completing the installation and before operating the unit, reconnect the battery, then press the (RES) button with a pointed object, such as a ball-point pen to set the unit to its initial status. After pushing the button, wait a few seconds for the red light to flash.

INSTALLATION

Tools for Installation

2 removal wrenches are supplied for taking out the old unit and place with this brand name car radio. The following tools and supplies may also be needed for the installation:

Tools for Installation: Philips Screw-drivers /Machine Screws /Wire Stripper /Wire Cutter /Hammer /Pencil /Electrical Tape /Electric Drill

Supplies for Installation: Machine Screws /Crimp Connectors /14 Gauge Wire for Power Connections /14-16 Gauge Speaker Wires

The above are not supplied.

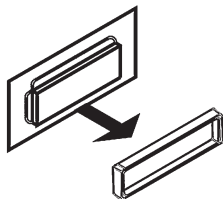
Before you install

Automotive audio equipment installations can be challenging even to the most experienced of installation technicians. We strongly recommend that this unit should be professionally installed by a VAT registered installer (this is a requirement to validate the warranty).

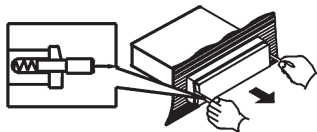
IMPORTANT: Remove the two transport screws from the top fo the unit before installing.

Remove the Old Unit from the Dashboard

1. Remove the outer trim frame.
2. Insert the keys supplied with the old unit into both sides of the unit as shown in figure below until they click. Pull to remove the old unit from the dashboard.



DIN Front Mount



**DO NOT DISCONNECT WIRES
AT THIS TIME!**

Mark Polarity of the Speaker Wires

Marking the polarity of the speaker wires will make it easier to connect the existing speakers to your car radio. Consult wiring diagram of existing head unit before disconnecting any wires. If you are not positive of the polarity of the existing wires from the speakers to the head unit, install new wires.

1. While the old unit is playing, disconnect the wires from one speaker.
2. Take a length of masking tape and fold it around the wire so it forms a flag.
3. On the masking tape mark the polarity of the speaker wires (+&-), as well as left or right, and front or rear.
4. Double check that you marked the first speaker correctly by checking that the speaker wires are the same at the head unit.
5. Repeat this procedure for all of the speakers.
6. Mark the power, ground, and any other wires also.

INSTALLATION

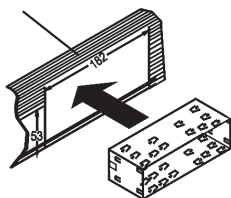
WARNING!

Disconnect negative battery terminal from battery before starting installation. Consult the vehicle's owner's manual for proper instructions.

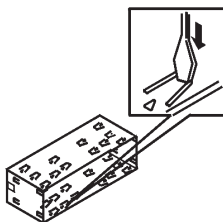
NOTE: Mark the polarity of the existing speaker wires before disconnecting battery.

NOTE: Remove the two transport screws from the top of the unit before installing.

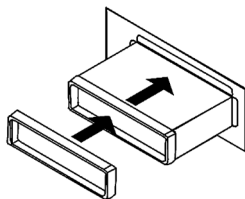
DIN Front Mount



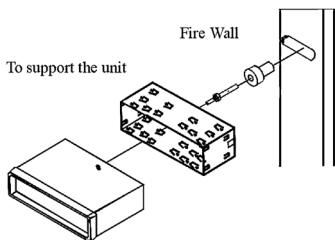
1. After removing the old radio and mounting sleeve, insert supplied mounting sleeve into opening.



2. Bend the tabs on the mounting sleeve to keep the mounting sleeve firmly in place.



3. Attach wires from the unit to existing wires. See wiring connections diagram. Insert radio into dashboard. Then apply the trim frame to outside of radio.



4. Support radio using rear mounting bolt and steel bar. (not included)

INSTALLATION

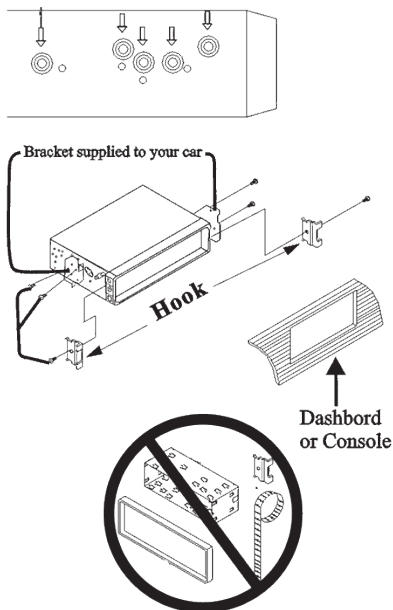
DIN Rear Mount

NOTE: Outer trim frame, hook, and mounting sleeve are not used for this installation

This is only intended as a general guide; contact the vehicle's manufacturer for specific instructions.

This method of installation uses the screw holes at the sides of the unit and the holes of the existing vehicle mounting bracket.

1. Remove the hooks on both sides.
2. Align the screw holes of the mounting bracket supplied with the car and the screw holes of the main unit. Tighten the 2 screws on each side of the unit. Then fasten the brackets to the car.
3. Attach wires of the unit to existing speaker wires. See wiring diagram.



WIRING DIAGRAM

Make sure You have a good chassis ground. Good ground connection will eliminate most electrical noise problems. A good chassis ground requires a tight connection to the vehicle's metal chassis. The area around the ground connection should be clean, bare metal without rust, paint, plastic, dust, or dirt for a good ground connection.

Black Ground

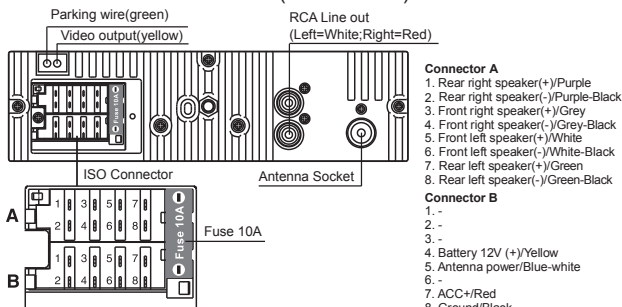
Connect to vehicle body/chassis. Make sure you have a good chassis ground. This will eliminate most electrical noise form the motor and alternator. A good chassis ground requires a tight connection to ground. The area should be free from rust, paint or any form of dirt.

Yellow Memory Backup

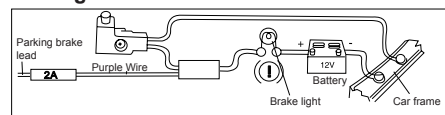
Connect to electrical terminal always supplied with power regardless of ignition switch position.

Orange Remote

Connect to Auto-antenna or power amp control wire/remote connection. Maximum current 300mA 12VDC. (Low Current)



Parking wire connection



If parking cable is connected to hand brake switch, the video display of the monitor will be controlled by driving status, system setup and input video sources. When the car is moving ahead, if the video is played, the screen shows warning. The warning screen will prevent the driver from watching images.

Speaker Wiring Notes:

Follow the above wiring diagram to install the head unit with new or existing speakers.

1. This unit is designed for use with four (4) speakers with impedance between 4 Ohms to 8 Ohms.
2. An Impedance load of less than 4 Ohms could damage the unit.
3. Never bridge or combine the speaker wire outputs. When not using four speakers, use electrical tape to tape the ends of the unused speaker outputs to prevent a short circuit.
4. Never ground the negative speaker terminals to chassis ground.

Basic Operation

1. Turning the unit On / Off

Press the Power Button to turn the unit on. When the unit is on, press the Power Button once to turn the TFT off. During TFT off, the video out signal will be available so that the connected monitor will show the screen of the unit. Press the Power Button again to turn the TFT back on. Press and hold the POW button again to turn the unit off.

2. Mode Selection

Press the MODE Button to cycle the Play Mode between RADIO, USB, SD, BT and AUX in.

3. Sound Control

A. Volume

Use the VOL +/- Button to adjust the volume level. Turn the button clockwise to increase the volume, and vice versa. The larger the number of volume, the higher the volume level.

B. Bass

Press the SEL Button until the display shows "BAS". Use the VOL +/- Button to adjust. When EQ is ON, bass control is not available.

C. Treble

Press SEL Button until the display shows "TRE". Use the VOL +/- Button to adjust. When EQ is ON, treble control is not available.

D. Balance

Press SEL Button until the display shows "BAL", then use the VOL +/- Button to adjust the balance between the left & right speakers.

E. Fader

Press SEL Button until the display shows "FAD", then use the VOL +/- Button to adjust the balance between the front & rear speakers.

F. Preset Equaliser Function

Press the SEL Button until the display shows "EQ OFF", then use the VOL +/- Button to choose the equaliser sound effects. The Sequence of equaliser setting will be EQ OFF-POP-ROCK-CLASSIC.

G. Beep On/off

Press the SEL Button until the display shows "BEEP ON", then use the VOL +/- Button to turn the beep sound off. The word "BEEP OFF" will be shown on the display.

H. Loudness

Press SEL Button until the display shows "LOUD OFF", then use the VOL +/- Button to turn loudness on. The word "LOUD ON" will be shown on the display.

4. Mute Control

Press the MUT Button to activate the Mute function. Press MUT Button again or use the VOL +/- Button to cancel.

5. HOME Button

In Radio and Aux modes, press the HOME button to go back to the home screen. You can select different play modes by turning and pressing the volume knob. Also you can enter the setup menu in the home screen.

In USB and SD modes, during music or video playback, press the HOME button once to go back to the directory page, in which you can choose the desired file by pressing and turning the volume knob. Press again the HOME button to go back to the home screen.

6. SETUP

Enter the setup menu in the home screen by turning and pressing the volume knob. Turn the volume knob to each item you would like to set. Press the volume knob in each of the item, followed by turning the volume knob to adjust settings. After adjusting, press the volume knob to confirm. Repeat these steps to finish the setting of other items. You can adjust language, date, time, brightness and master reset accordingly.

7. Clock

Press the clock button on the remote control to see the time during USB and SD modes. The clock always shows itself during radio and Aux modes.

Radio Operation

1. Choose Radio Band

Press the MOD Button to access the radio function. Then press the BND button to choose among the five radio bands - three FM Bands (FM1, FM2, and FM3) and two AM Bands (AM1, and AM2). Each of the five bands can store up to six preset stations, for a total of 30 preset memory stations.

2. Radio Tune/Seek Function

In radio mode, press the Seek +/- button to automatically seek the next strong and clear radio station. Press and hold the Seek +/- button until the screen shows MANU SEEK. At this time, you can manually fine tune your desired frequency. Wait until the MANU SEEK to disappear in order to perform auto seek again.

3. Automatic Store/Preset Scan

A. Automatic Scan & Store

While listening to the FM Radio, press and hold the APS Button for 3 seconds. The receiver will automatically scan and save stations for all the 3 FM Bands, whichever band (FM1, 2 or 3) you are listening to.

While listening to the AM Radio, press and the APS Button for 3 seconds. The receiver will automatically scan and save stations for the 2 AM Bands, whichever band (AM1 or 2) you are listening to.

B. Scan Saved Stations

Press the APS button or the AMS button on the remote control once to perform the scanning functions. In FM mode, press the APS button or the AMS button and the stations in that FM band will be scanned; press the button in AM mode and scan the band stations of that AM Band.

4. LIST button

In radio mode, press the LIST button to go to the preset stations list. Press again to go to the function list. You can select or change setting in the lists by turning and pressing the volume knob.

In USB/SD mode, press the LIST button during audio playback in order to enter the song list. Choose the desired song by turning and pressing the volume knob. Press the LIST button again to leave the song list.

5. Save your Preset Stations

After choosing the preset stations in the list, you can adjust the frequency (by Seek +/-), and save it by pressing and holding the volume knob. Alternatively, you can choose the preset station in the list after adjustment, then save it by pressing and holding the volume knob. The newly saved preset station will be refreshed and it will show the new radio frequency.

6. Mono/Stereo Reception Control

After choosing ST in the list, you can turn ST on or off to select stereo or mono reception. Improvement of reception of weak stations can be done by selecting ST OFF operation which may cut down some reception noise.

7. Local/Distance Reception Control

After choosing LOC in the list, you can turn LOC on or off to select local or distance reception. Improvement of reception of distant stations can be done by selecting LOC OFF operation.

8. RDS-EON CONTROL

This unit is equipped with the latest technology of EON control, so that when

Radio Operation (Con'd)

you are listening to Radio or CD, if there are any travel announcements from a nearby local station, the radio will already know the frequency of that radio station. Then it will receive the station. Turn up the volume, or interrupt the playback of the music for the duration of the announcement. At the end of the announcement the radio will return to its previous state ready for the next announcement.

a. After choosing AF in the list, you can turn AF on. The unit will choose the strongest FM signal for the selected station, so that you do not have to re-tune the stations when driving between different transmitter coverage areas. When AF is on, it means RDS information is received; when AF is flashing, it means RDS information is not yet received.

b. After choosing TA in the list, you can turn TA on. The unit will be activated for reception of traffic announcement from local radio stations.

c. After choosing PTY in the list, you can rotate the volume knob in order to choose different program types. Rotate the volume knob and stop at your desired category, then the unit will search for a station broadcasting that type of program.

USB/SD Operation

Plug the USB/SD card into the USB/SD port. The unit will play the contents automatically.

1. Advance / Go Back

Advance to the next track or go back to the previous track by pressing the forward or rewind buttons. Press and hold the same button for fast forward/rewind the song/video, you may stop anytime by pressing the play/pause button.

2. Play/Pause

Press the play/pause button to pause the playback or resume.

3. TYPE button

Switch the current playback (eg. Music) to another type (eg. Video) by pressing the TYPE button. The type switch will depend upon the contents in the USB/SD device.

4. HOME button

Press the HOME button during playback in order to see the full list of files. All the file names are displayed for your easy reference. Select the desired files by turning and pressing the volume control.

5. Aspect Ratio

During video playback, press and hold the volume control in order to switch the aspect ratio of the video. You can select full screen, 16:9, and 4:3 accordingly. The viewing effect will depend on the video file so it may vary.

Bluetooth Wireless Device Operation

Pairing Your Mobile Phone

Before using Bluetooth functions, you must pair your mobile phone and the unit. Pairing is a special process used when two devices connect for the first time. The pairing process is used to generate a link key that is used for authentication purposes for future Bluetooth connections between devices. Your mobile phone can initiate a search for a new device and pair the unit.

1. Access the mobile phone's Bluetooth function and set the Bluetooth function to on
2. Use the mobile phone's add a new device feature. "BOSS AUDIO" appears in the list on your mobile phone.
3. Select "BOSS AUDIO". The unit has an auto pairing function. It will search for the Bluetooth mobile phone and pair automatically. A prompt to connect should appear on your mobile phone. Accept the request and initiate the process
NOTE: Some mobile phones require a "pass key" or pairing code to connect. If your phone requires a pass key or pairing code, you will need to enter this number. The default pairing code for the unit is "0000".
Plug the USB/SD card into the USB/SD port. The unit will play the contents automatically.

Auto-Reconnection

This unit has a built-in auto-reconnection function. In some conditions, the unit will auto reconnect with the mobile phone (note: the mobile phone must have been paired with the unit before.)

- When you turn off the unit and then turn it on again.
- Switch off the ACC wire and switch it on again.

Managing Incoming Calls

Answering an Incoming Call

Press the GREEN button to answer an incoming call.

Rejecting an Incoming Call

Press the RED button to reject the incoming call.

Bluetooth Wireless Device Operation

Bluetooth Wireless Technology Music Function

Wireless products featuring Bluetooth technology provides an Advanced Audio Distribution Profile (A2DP) profile for streaming music from a mobile phone or a portable multimedia player (PMP), sometimes referred to as a MP3 player. The unit allows you to play back audio files from your mobile phone or a PMP using a Bluetooth connection.

Note: Your mobile phone must support this function. Please refer to your mobile phone's instruction manual.

When in A2DP mode

Press the PREVIOUS button on the front panel of the unit to choose the previous track.

Press the NEXT button on the front panel of the unit to choose the next track.

Press the APS/PAUSE button on the panel control to pause play.

Other Operations

1. AUX Input

The AUX Input Jack is a 3.5mm stereo jack on the front panel of the unit. Press the Mode button to choose AUX. Connect any portable audio device such as a MP3 player to unit. Use the volume control to adjust volume.

2. RCA Output

The RCA Output Jack is on the back of the unit. (Refer to Wiring Diagram) This output is for connecting amplifier, equaliser, or other audio component that requires a pre-amp out connection. (Red=Right, White=Left) Follow the manufactures instructions for the audio component that you are connecting.

3. Video Output

The video output Jack is on the back of the unit. (Refer to Wiring Diagram) When the unit is on, press POW/TFT OFF button on the panel to switch off the display. When the display is off, the video out signal will be available so that the connected monitor will show the screen of the unit. Press this button again to resume the image.

Maintenance

Cleaning the Unit

Do not use any liquids to clean this unit.
Do not use petroleum distillates to clean this unit.
Use a clean, dry cloth to clean this unit.

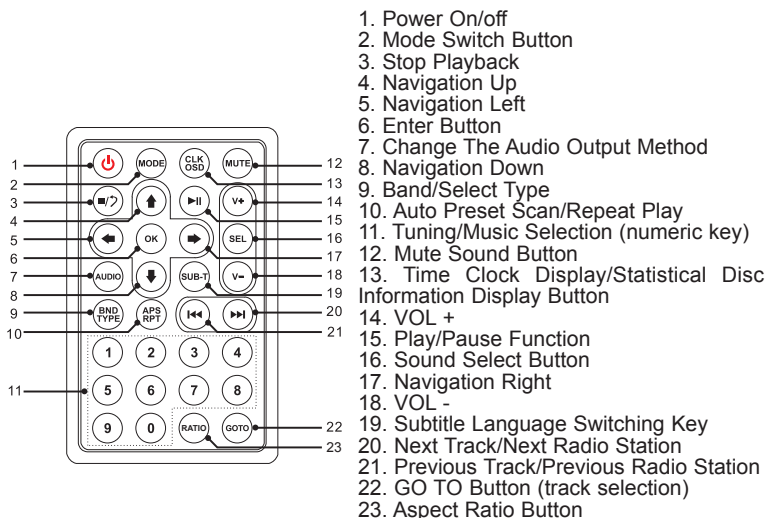
Replacing the Fuse

Make sure the amperage matches the specified value when replacing the fuse(s). If the fuse is bad, check the power connection and replace the fuse with a new one. If the same problem occurs, this might indicate a malfunction within the unit.

Warning

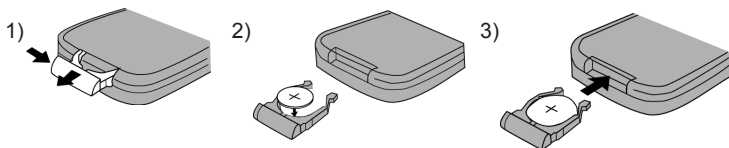
When replacing a fuse, do not use a fuse with a higher amperage rating than the fuse originally supplied to your unit, otherwise damage will result to your unit.

IR Remote Control



This unit comes with a full remote control system. The CR-2025 Lithium battery is an included item with the remote control. **TO PLACE THE BATTERY:**

- (1) Remove the cover from the back of the remote control.
- (2) Insert a CR-2025 Lithium battery.
- (3) Insert the battery holder into the back of the remote control.



Operating the remote control

Aim at the face panel of the CD Receiver, the maximum distance at which signals can be received is about 6M. Make sure that the signal path is not obstructed. Do not drop or throw the remote control. Do not place the remote control in a location that is exposed to direct sunlight or next to a heating unit or other heat source.

Simple Troubleshooting Guide

PROBLEM	CAUSE/SOLUTION
No Power	Check whether the fuse is blown, replace with fuse of proper value if necessary.
Unit stops responding or shows error in display	Press the RESET Button .
Unable to receive radio stations	Check whether the antenna is inserted or the antenna is properly connected; if not, insert the antenna or connect it properly.
Poor effect on receiving a station	-Antenna may not be of the proper length. Make sure the antenna is fully extended. If broken, replace the antenna with a new one. -The broadcasting signal is weak. -The antenna is poorly grounded; check and make sure the antenna is properly grounded at its mounting location.

Specifications

GENERAL

Operating Power.....	12 Volts DC, Negative Ground
Wattage.....	80w x 4
Output Wiring.....	Designed for using four speakers only
RCA line out.....	low-level outputs - 1000MV
Output Impedance.....	Compatible 4 to 8 Ohm Speakers
Fuses.....	10 amp
Dimensions.....	178mm(W) x 78mm(D) x 51mm (H)
Weight.....	0.8 Kg

FM/TUNER

Tuning Range.....	87.5 - 107.9MHz
FM Sensitivity.....	12dBu
Stereo Separation @ 1 Khz.....	35dB

AM/TUNER

Tuning Range.....	530-1710 KHz
Am Sensitivity.....	30dBu

USER'S MANUAL

BV7260B

BLUETOOTH®-ENABLED | DIGITAL MEDIA AM/FM RECEIVER

BOSS®
AUDIO SYSTEMS

BOSS Audio Systems

3451 Lunar Court • Oxnard, CA 93030

www.bossaudio.com | 800.999.1236

tech support: www.bossaudio.com/support



0114

iPod® / iPhone® are trademarks of Apple, Inc. registered in the U.S. and other countries.
BOSS Audio Systems is not affiliated with Apple, Inc.