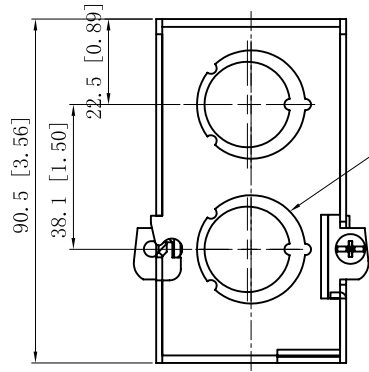
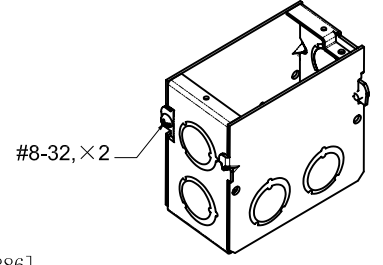


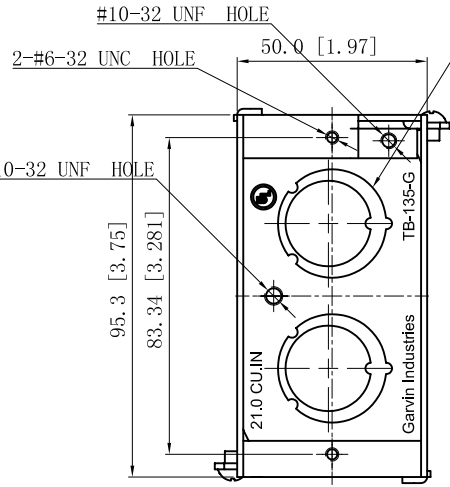
SIDES	BOTTOM
8 1/2"-3/4" MOON KNOCKOUTS	2 1/2"-3/4" MOON KNOCKOUTS
2 PCS 8-32x1/4 Screws Installed	
Material:Steel-0.0625"-G60 Galvanized	



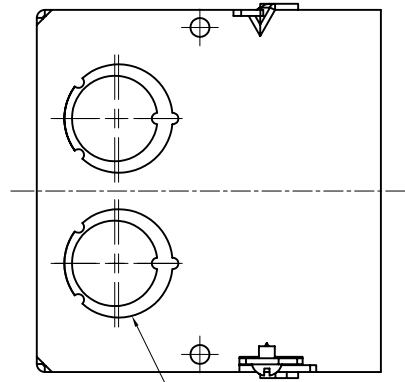
4 1/2"-3/4" MOON KNOCKOUTS $\phi=22.50$ [$\phi=0.886$]
 $\phi=28.50$ [$\phi=1.122$] MIRROR



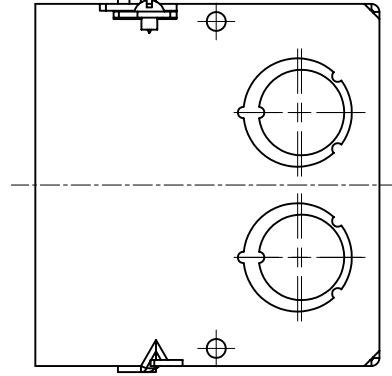
#8-32, x2



2 1/2"-3/4" MOON KNOCKOUTS $\phi=22.50$ [$\phi=0.886$]
 $\phi=28.50$ [$\phi=1.122$]



4 1/2"-3/4" MOON KNOCKOUTS $\phi=22.50$ [$\phi=0.886$]
 $\phi=28.50$ [$\phi=1.122$] MIRROR



DESCRIPTION
TRADE REFERENCE TERMS

STANDARD PACKING
20 PCS

This data sheet is for reference only .GARVIN INDUSTRIES reserves the right to make changes to the design without prior notice.

GARVIN INDUSTRIES		
TITLE GANGABLE MASONRY BOX 3-1/2" DEEP		
SIZE A4	DWG NO. TB-135-G	REV C
DATA SHEET		