



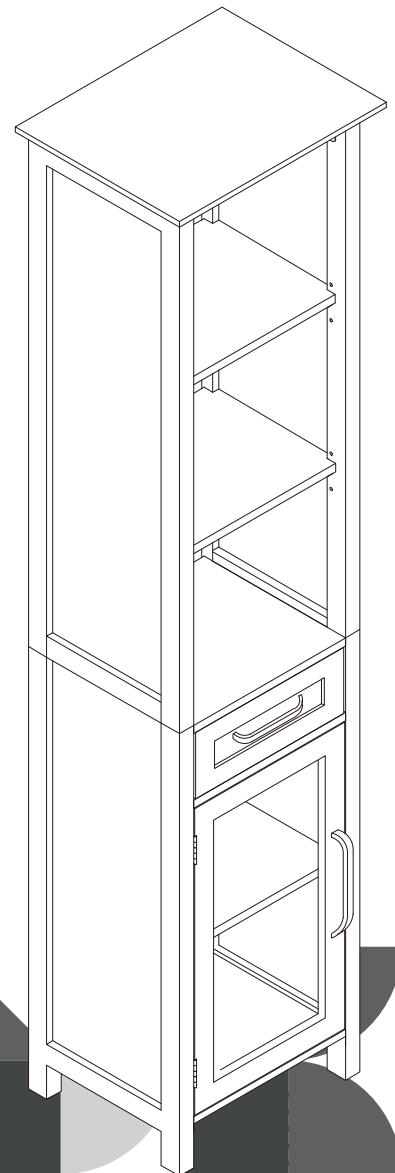
**Extended Warranty
Sign Up**

E-1

Welcome home!

ELG-544

**TEAMSON HOME
Avery Linen Cabinet with
1 Drawer and 3 Open Shelves
- Wood Veneer with Oil Oak Finish**





**Questions? Comments? Need help?
Call or email us any time!**

Global Customer Service

USA

+1(800)935-3959

Mon - Fri 10:00am ~ 2:00pm EST
✉ support@teamson.com

EU/UK

+44(0)1952-916-050

Mon - Thu 9:00am ~ 5:00pm GMT
Friday 9:00am ~ 4:00pm GMT
✉ support@teamson.co.uk

ASIA

深圳办公室:

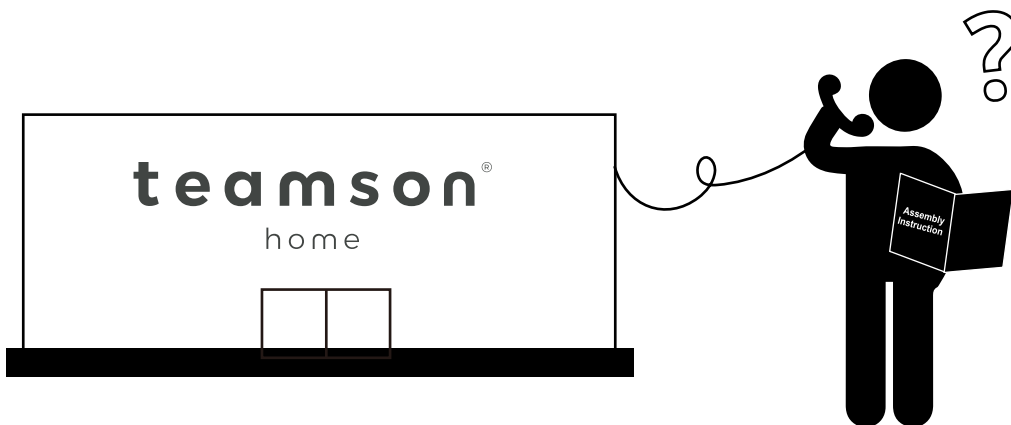
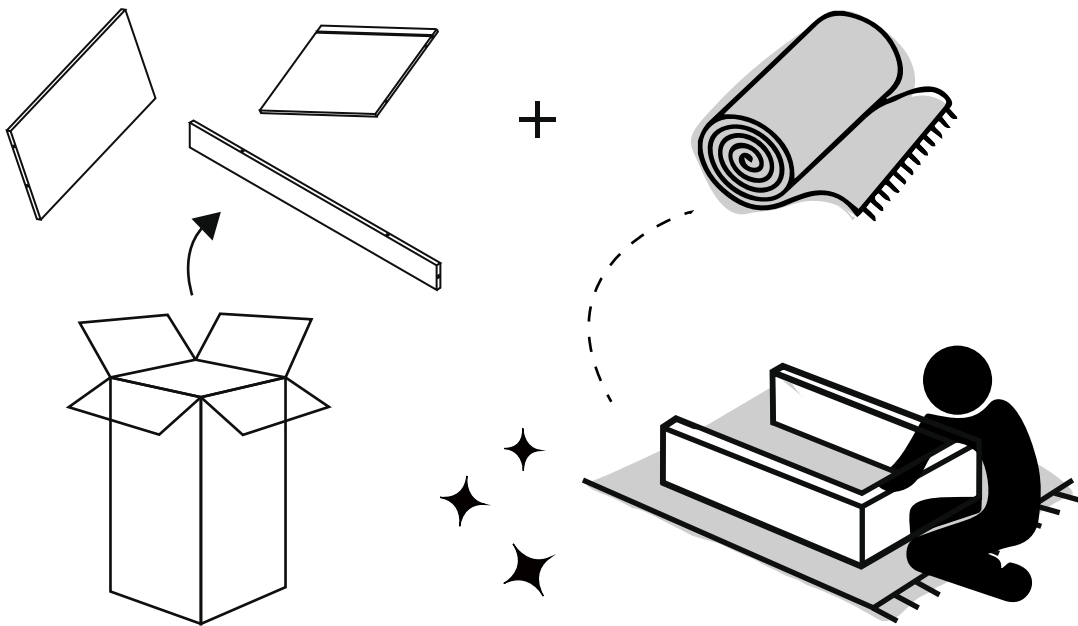
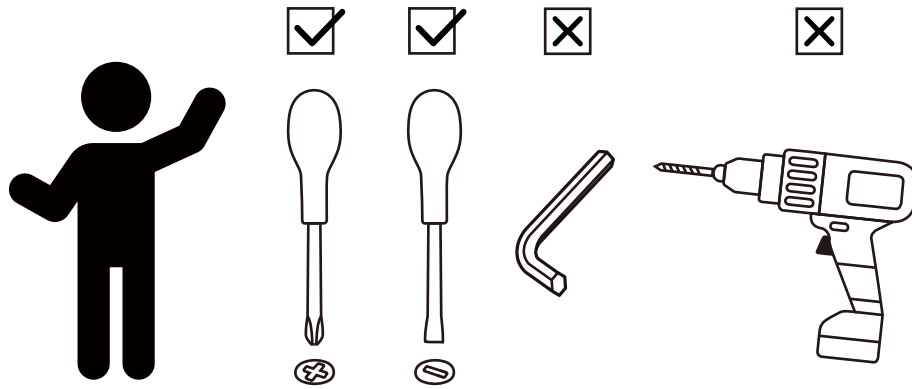
+86(0755)8885-3558.分机号331

Mon - Sat 9:00am ~ 5:00pm GMT+8
✉ sales_ec@teamson.com

台北办公室:

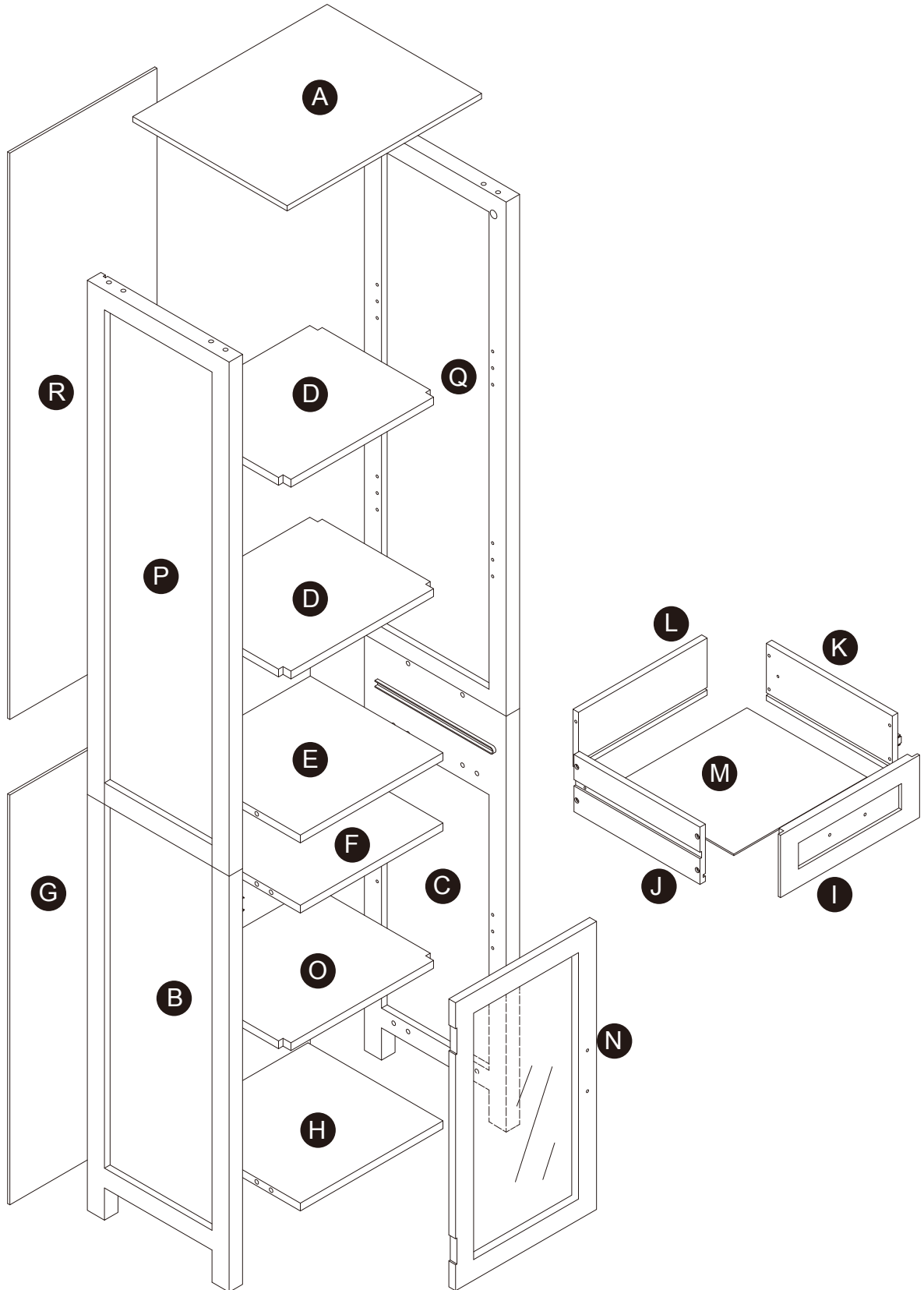
+886(2)2556-6268

Mon - Fri 9:00am ~ 5:00pm GMT+8
✉ sales_ec@teamson.com



** Got questions? Please have your product code (on the first page of this instruction, e.g. TD-12345A) and the order number ready, give us a call or email us through our customer care support! We are always ready to assist you!

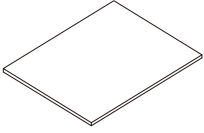
Exploded Drawing



Scan for assembly instructions.

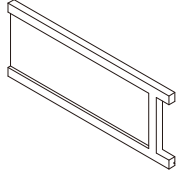
Product Parts

A



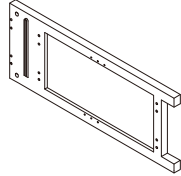
1 PC

B



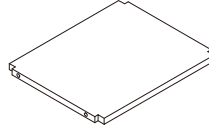
1 PC

C



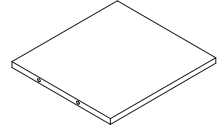
1 PC

D



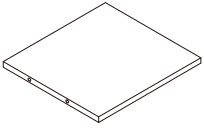
2 PCS

E



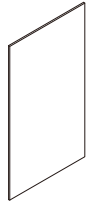
1 PC

F



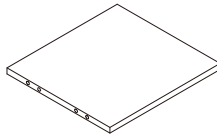
1 PC

G



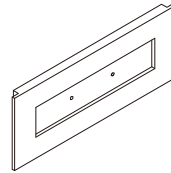
1 PC

H



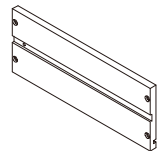
1 PC

I



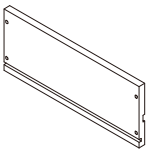
1 PC

J



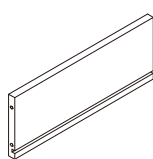
1 PC

K



1 PC

L



1 PC

! Care Instructions

Dust surface with a dry soft cloth. Do not use window cleaners or cleaning abrasives as they will scratch the surface and could damage the protective coating

! WARNING

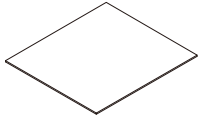
Small parts and sharp edges may be present prior to assembly.



Scan for assembly instructions.

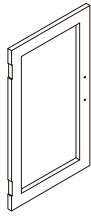
Product Parts

M



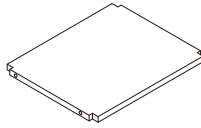
1 PC

N



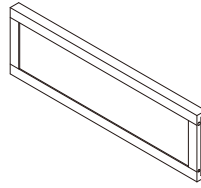
1 PC

O



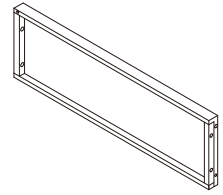
1 PC

P



1 PC

Q



1 PC

R



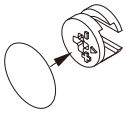
1 PC



Scan for assembly instructions.

Hardware

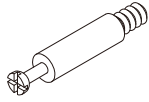
1



Ø15*12mm

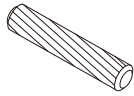
20 PCS

2



20 PCS

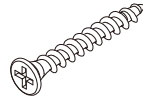
3



Ø8*30mm

20 PCS

4



Ø4*25mm

8 PCS

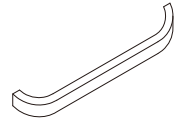
5



Ø3*12mm

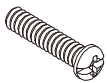
4 PCS

6



2 PCS

7



4 PCS

8



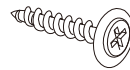
2 PCS

9



12 PCS

10



Ø3*12 D=7

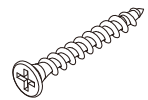
24 PCS

11



1 PC

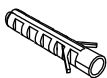
12



Ø4*25mm

2 PCS

7



1 PC

8


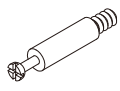
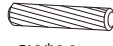


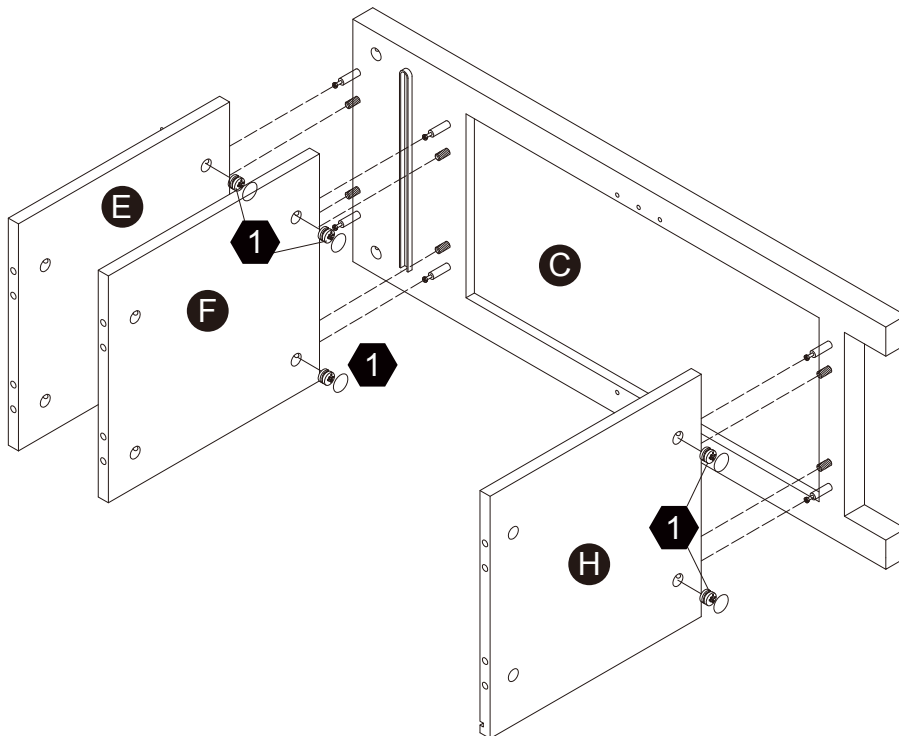
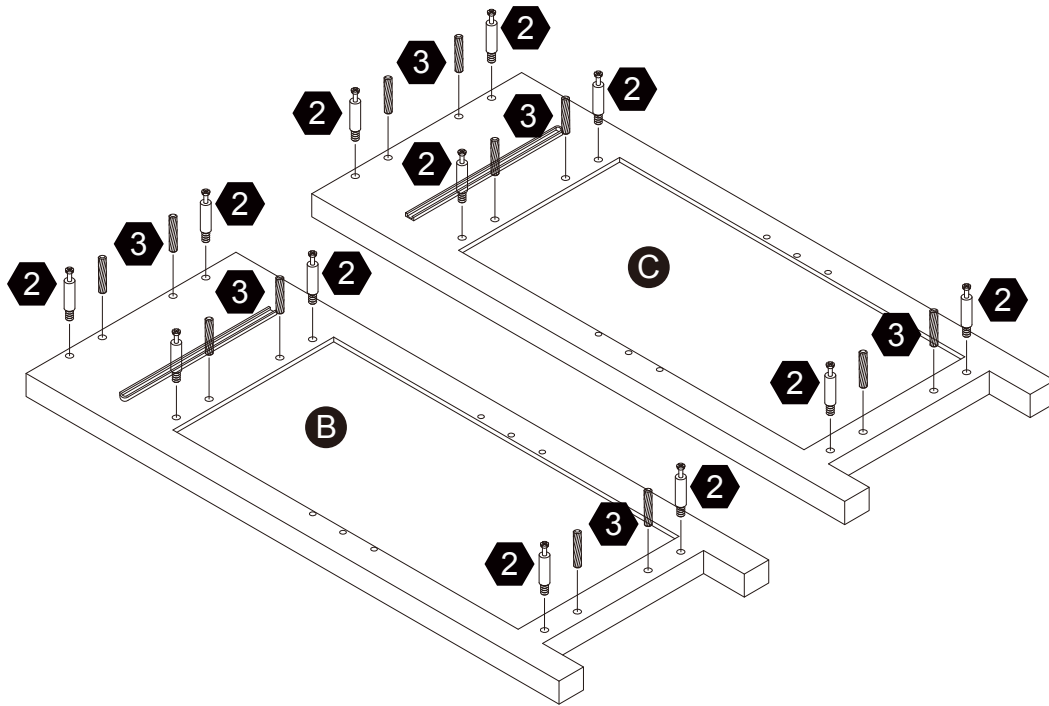
2 PCS



Scan for assembly instructions.

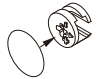
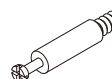
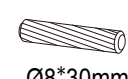
Step 1

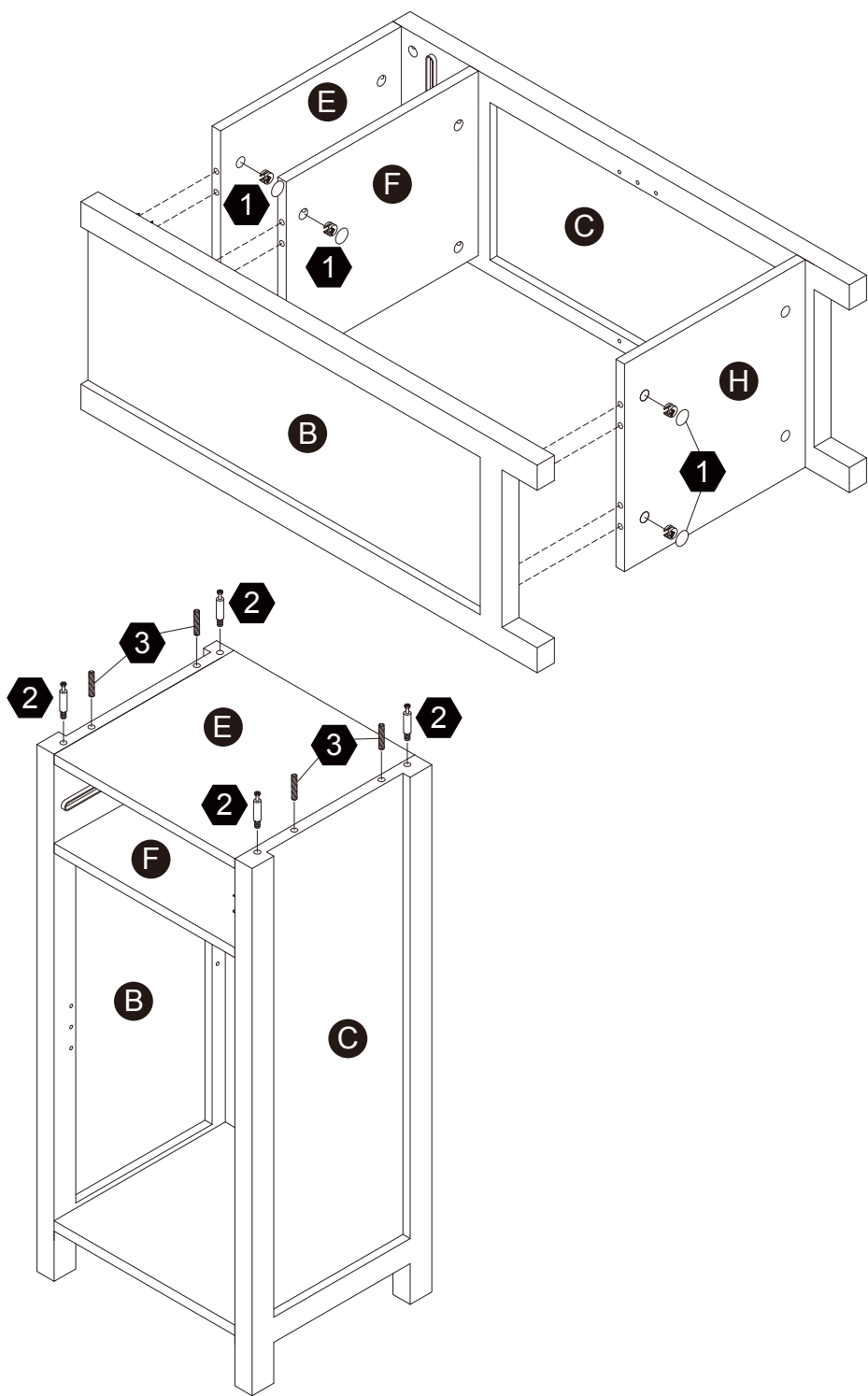
- 1**  6 pcs $\text{Ø}15*12\text{mm}$
- 2**  12 pcs
- 3**  12 pcs $\text{Ø}8*30\text{mm}$



Scan for assembly instructions.

Step 2

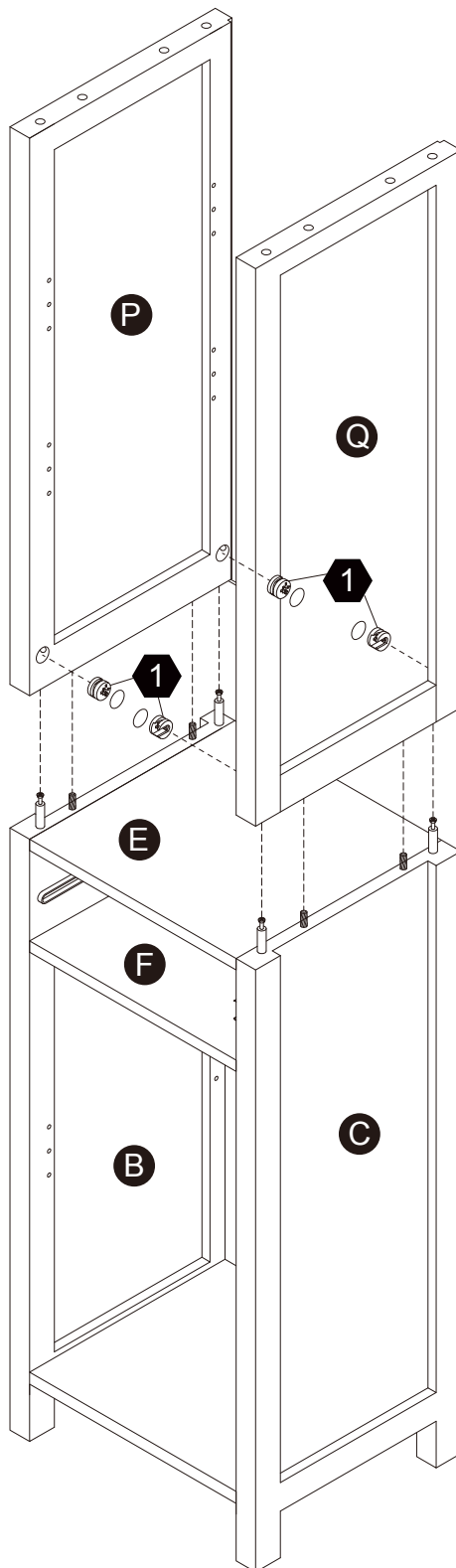
- 1**  6 pcs
Ø15*12mm
- 2**  4 pcs
- 3**  4 pcs
Ø8*30mm



Scan for assembly instructions.

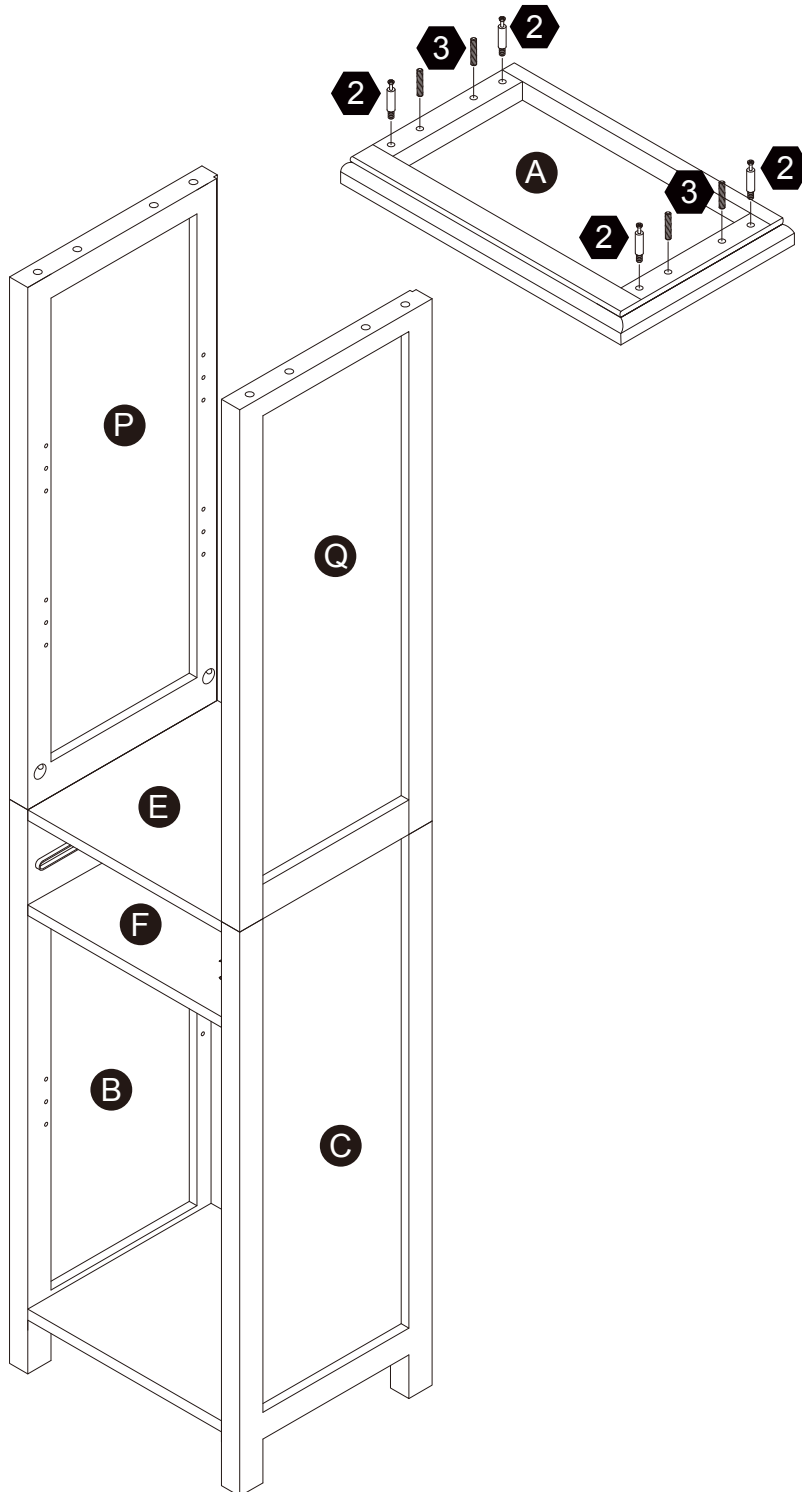
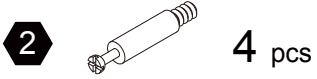
Step 3

1  4 pcs
Ø15*12mm



Scan for assembly instructions.

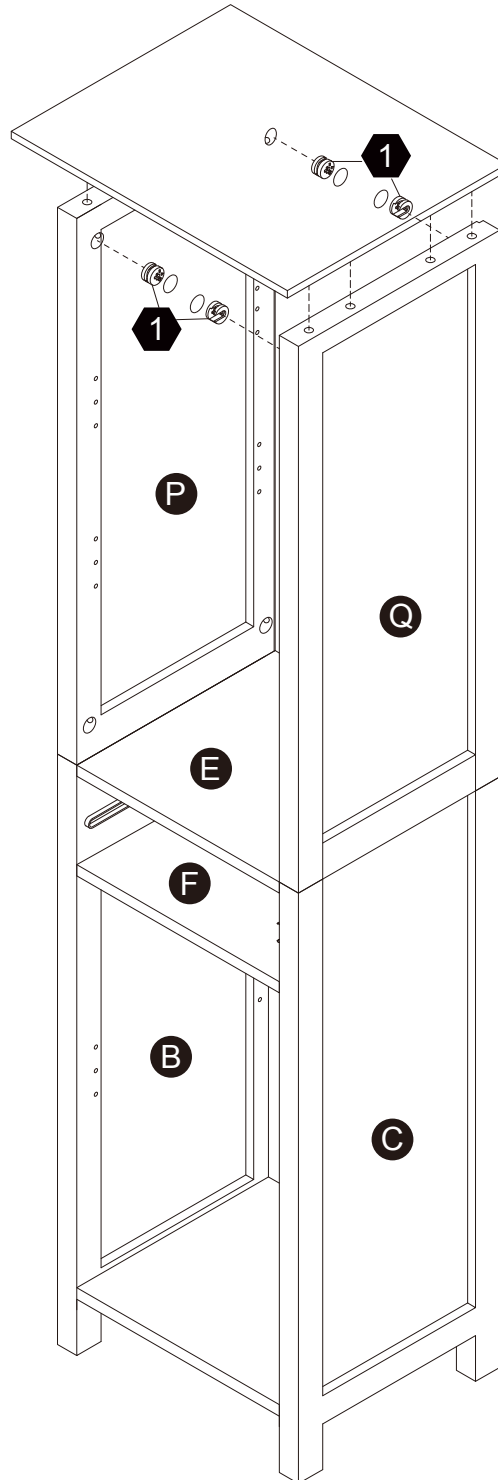
Step 4



Scan for assembly instructions.


Step 5

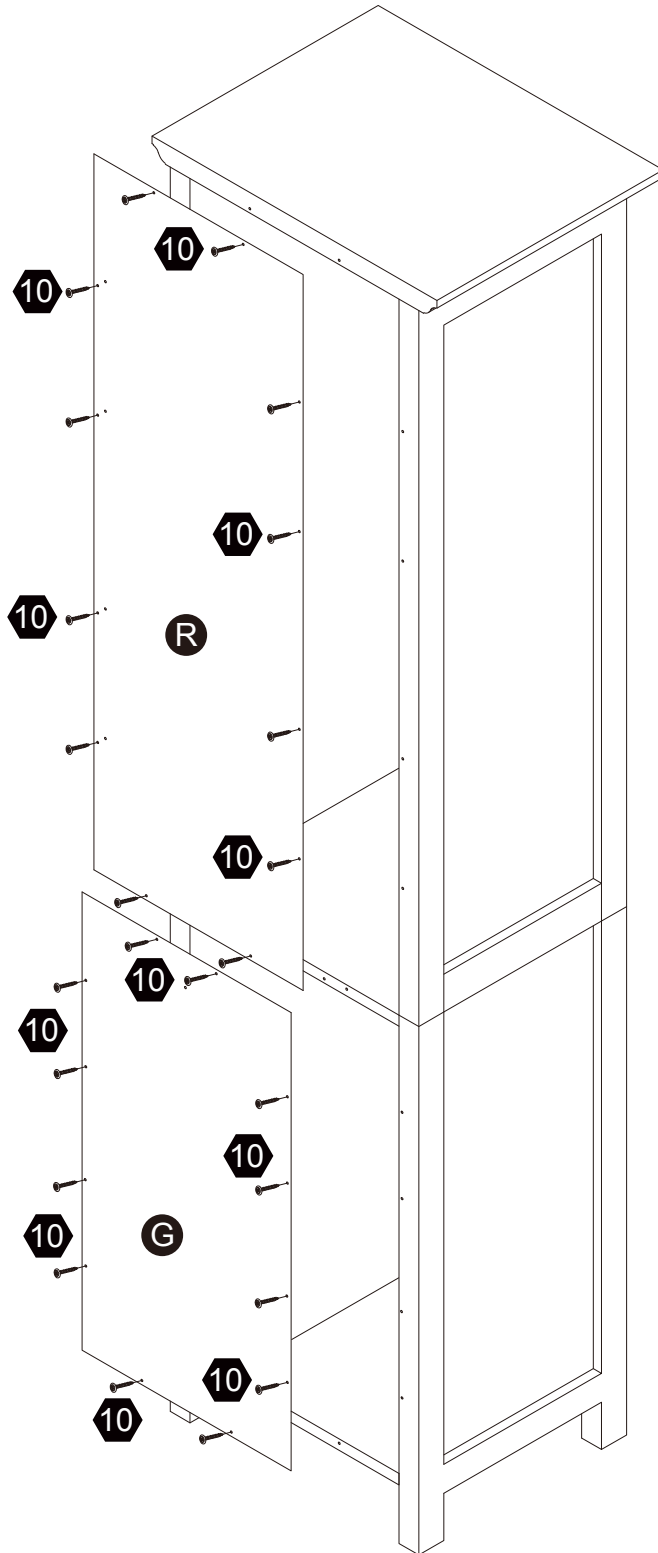
1  4 pcs
Ø15*12mm



Scan for assembly instructions.

Step 6

10  24 pcs
Ø3*12 D=7



Scan for assembly instructions.

Step 7

5



4 pcs

6

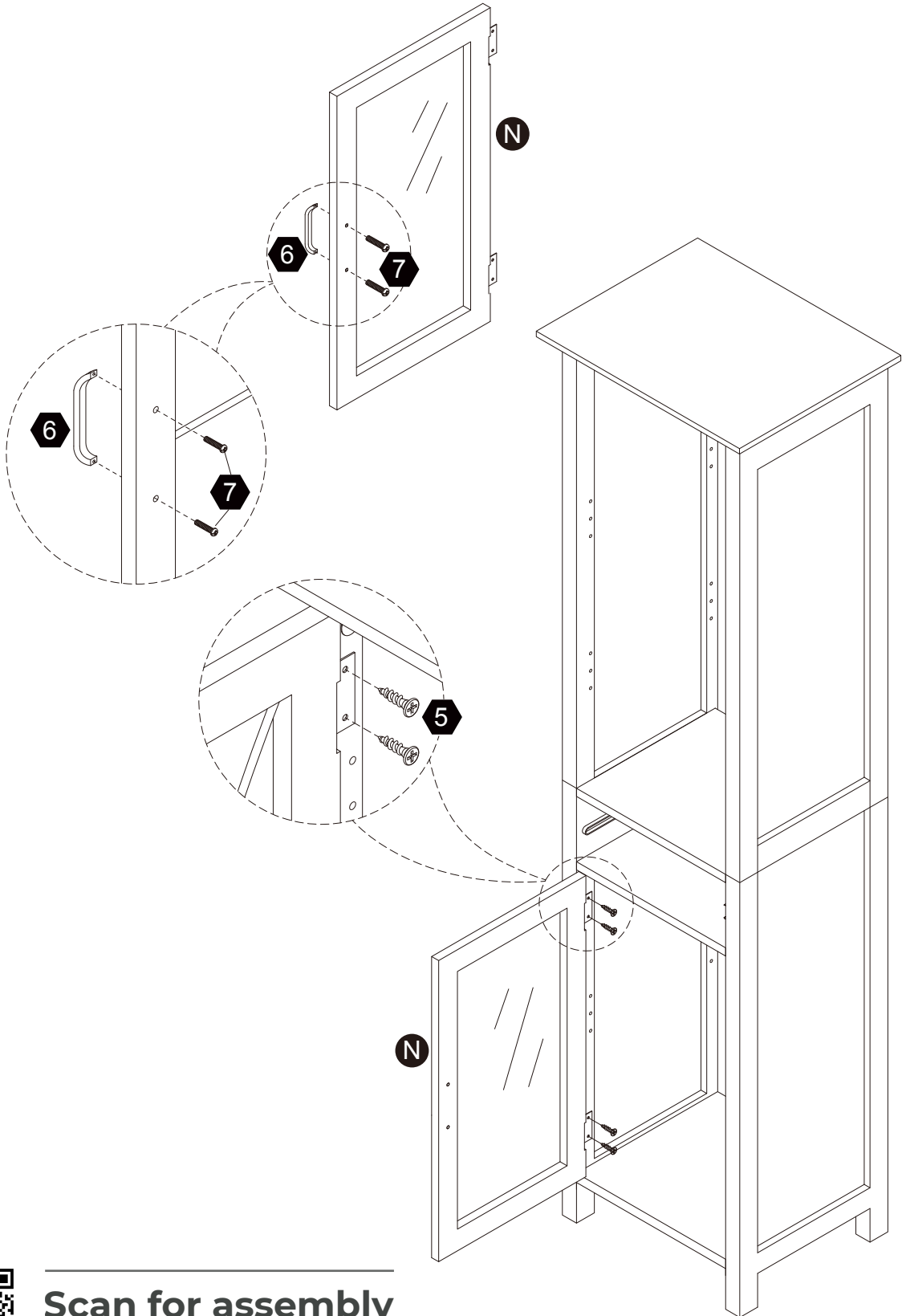


1 pc

7



2 pcs



Scan for assembly instructions.

Step 8

4



8 pcs

6

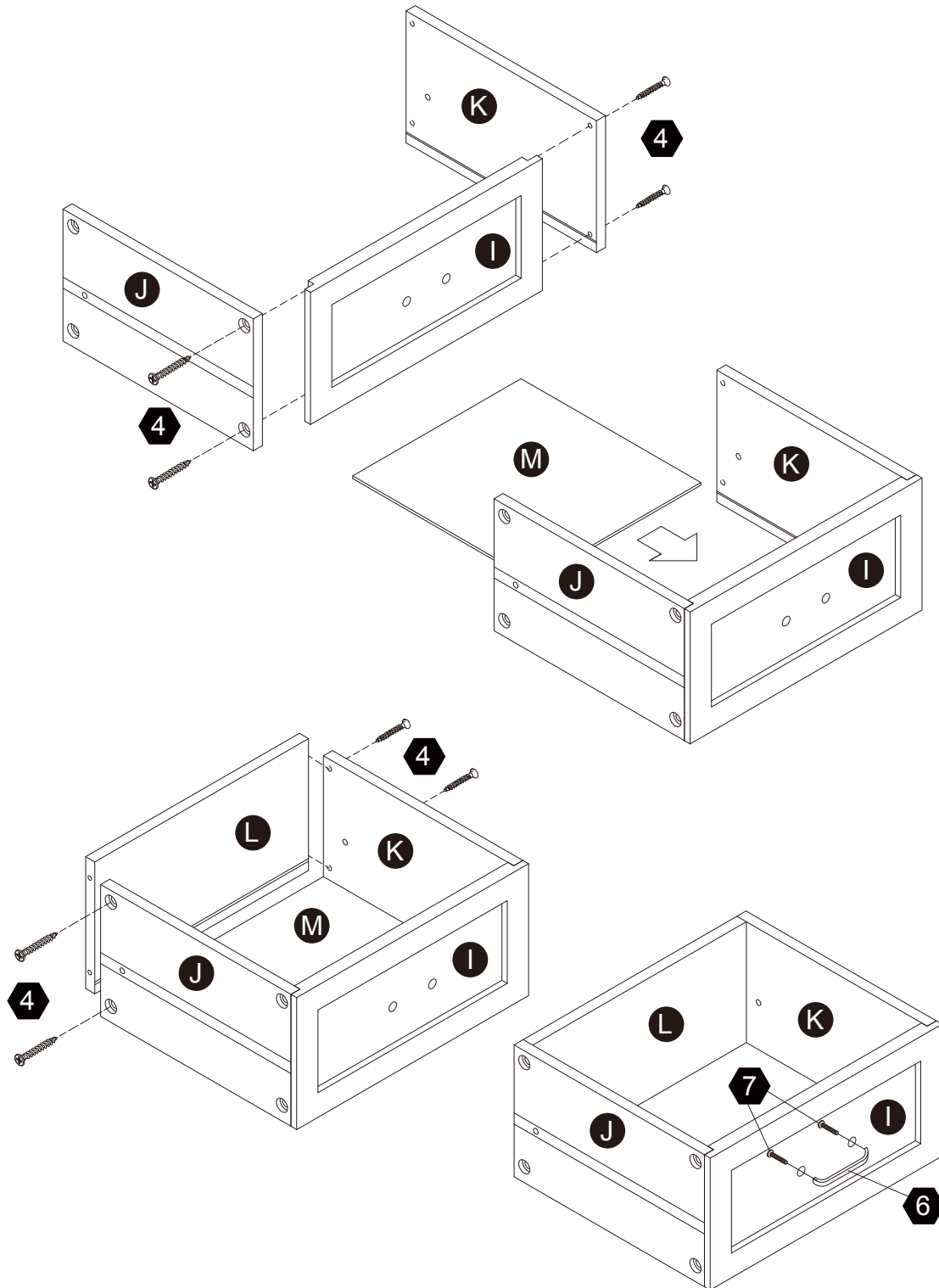


1 pc

7



2 pcs



Scan for assembly instructions.

Step 9

9

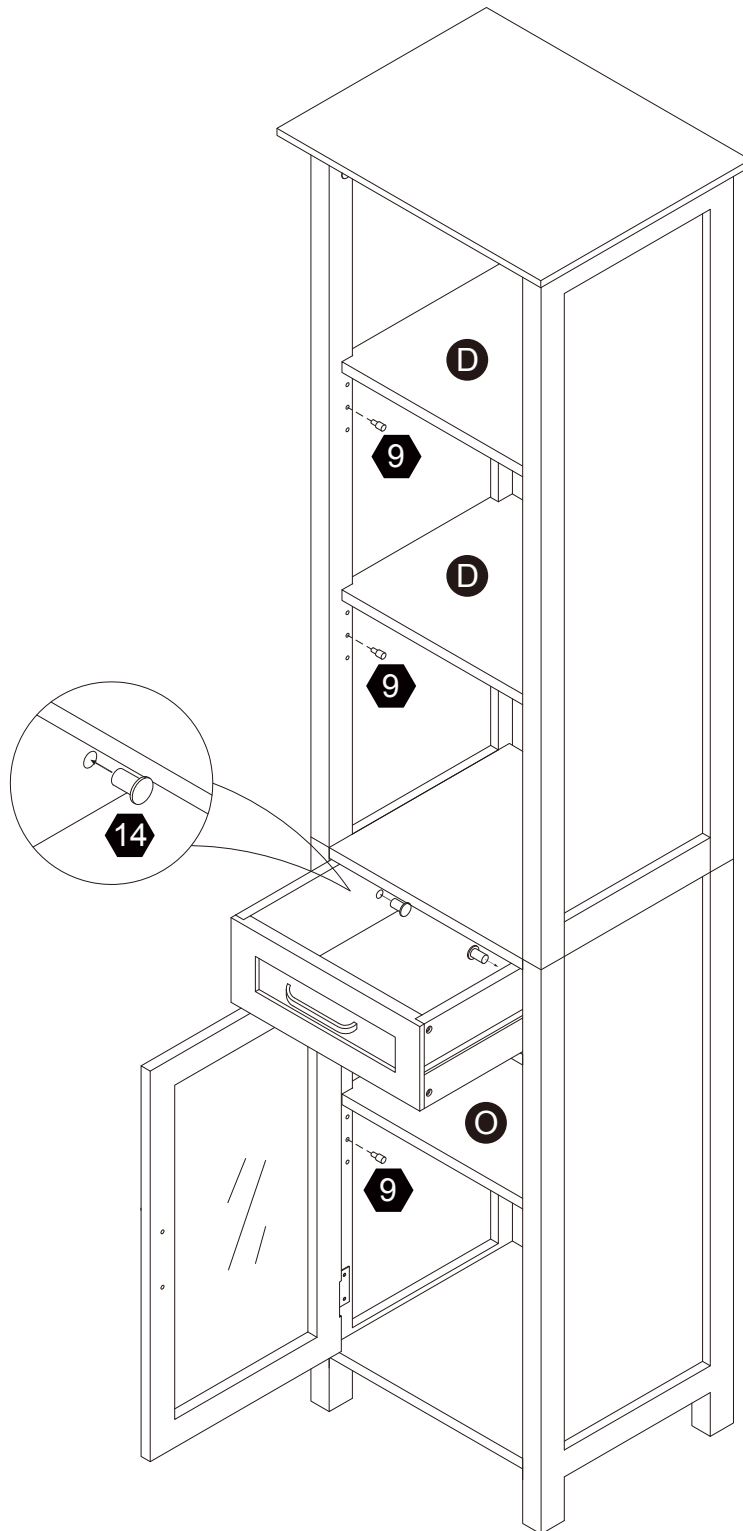


12 pcs

14



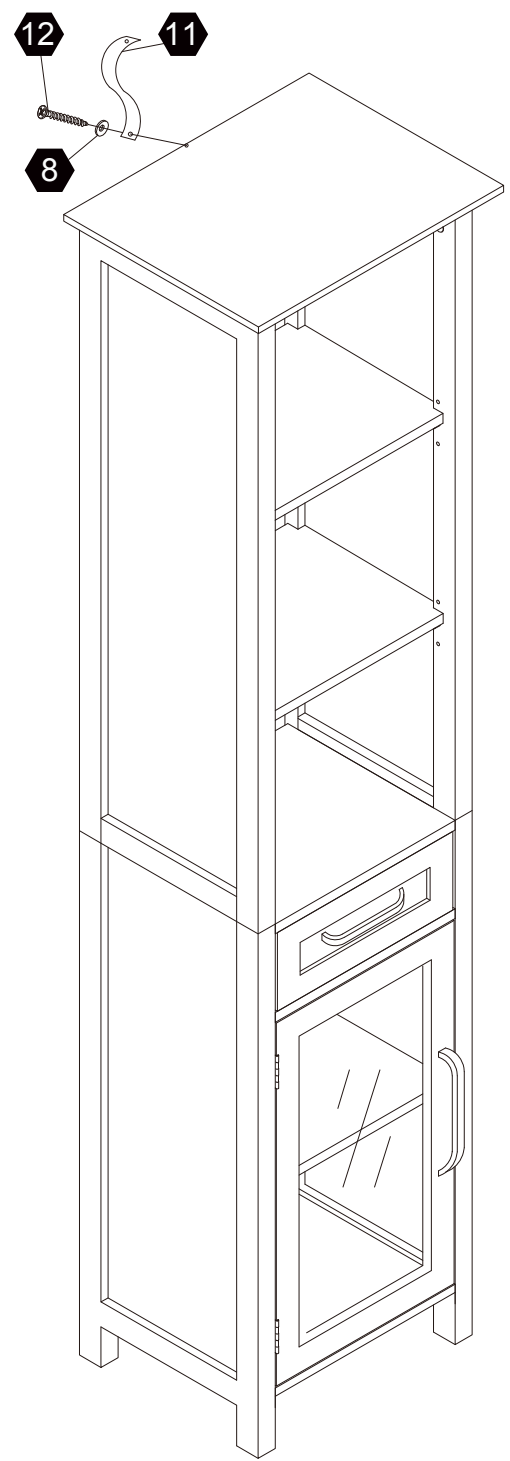
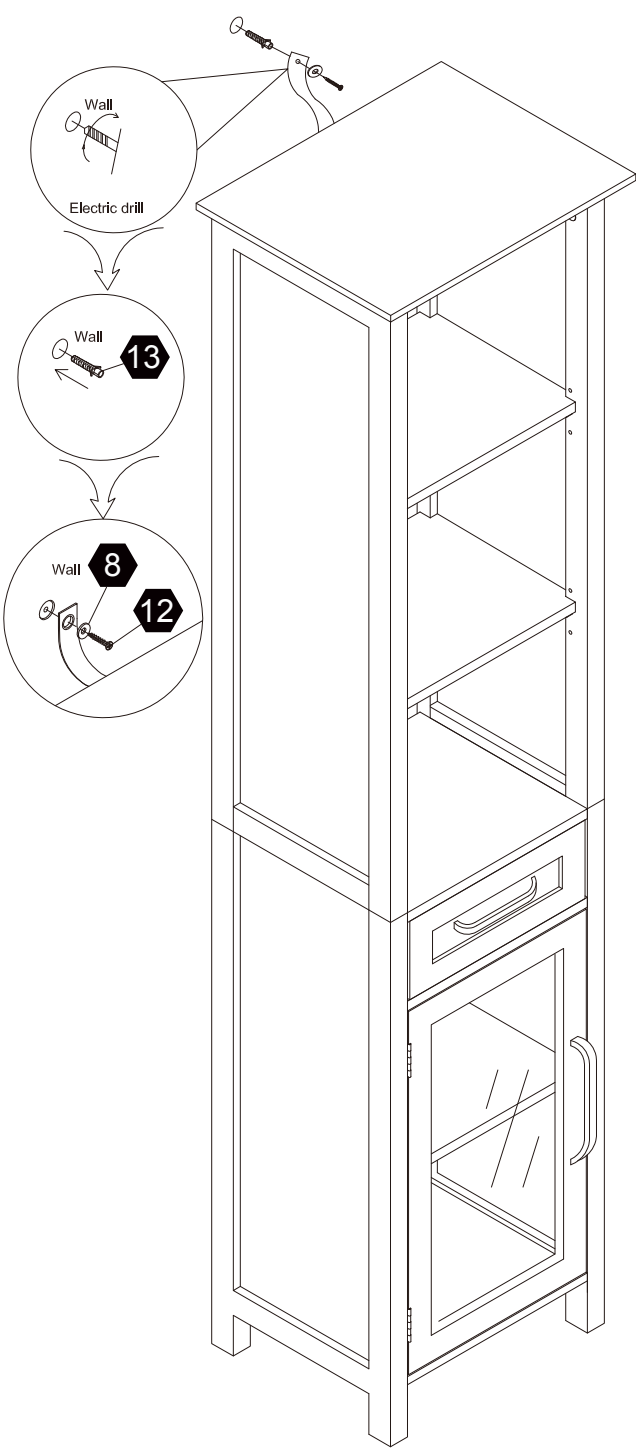
12 pcs



Scan for assembly instructions.

Step 10

- 8 2 pcs
- 11 1 pc
- 12 2 pcs $\varnothing 4 \times 25 \text{mm}$
- 13 1 pc



Scan for assembly instructions.