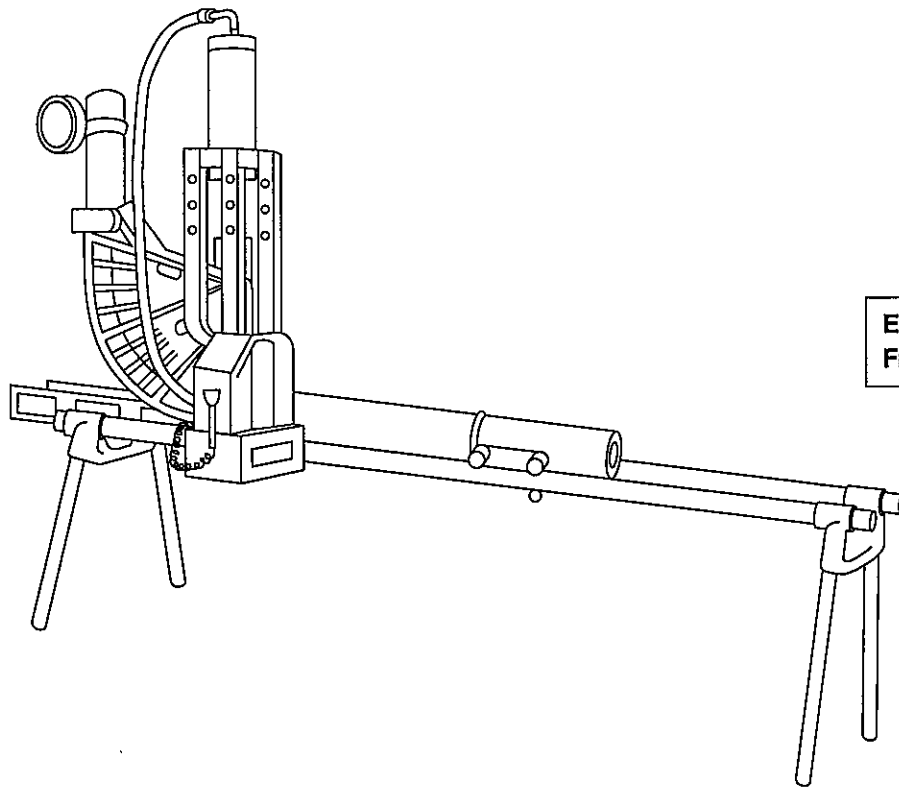


INSTRUCTION MANUAL



GREENLEE®

A Textron Company



Español.....	33
Français.....	65

881 and 881CT Cam Track® Hydraulic Benders and 1813 Bending Table



Read and understand all of the instructions and safety information in this manual before operating or servicing this tool.

Register this product at www.greenlee.com

Table of Contents

Description	2
Safety	2
Purpose of this Manual	2
Important Safety Information	3-4
Identification—Major Components	5
Assembly and Operation Instructions	6-20
881 and 881CT Floor Operation	6-9
881 and 881CT with 1813 Bending Table.....	10-20
Glossary of Bending Terms	21
Laying Out One-Shot 90° Bends.....	22
Table 2—Deduct, Stub Dimensions, and Minimum Distance from End of Conduit	22
Table 3—Ram Travel.....	23
Table 4—Laying Out Two-Shot 90° Bends for 3-1/2" and 4" Conduit (881 only)	24
Laying Out Bends.....	25-27
Stubs.....	25
Offsets	25-26
Saddles.....	26-27
U-Bends.....	27
Special Bending Information Chart	28-31
Troubleshooting.....	32
Spanish.....	33-64
French	65-96
Illustrations and Parts Lists	97-104

Description

The 881 and 881CT Cam Track® Hydraulic Benders are intended to bend rigid conduit, IMC (intermediate metallic conduit), EMT (electrical metallic conduit), and Schedule 40 pipe. Bending shoes, follow bars, and saddles are available for bending 2-1/2" through 4" conduit or pipe.

The bender is to be coupled to any Greenlee hydraulic pump capable of developing 10,000 psi with a usable oil volume of 6 quarts or more. Suggested pumps include the following models:

- Electric Pump (120 volt): 960 SAPS, 980
- Electric Pump (220 volt): 980-22FS, 980-22PS

Safety

Safety is essential in the use and maintenance of Greenlee tools and equipment. This instruction manual and any markings on the tool provide information for avoiding hazards and unsafe practices related to the use of this tool. Observe all of the safety information provided.

Purpose of this Manual

This instruction manual is intended to familiarize operators and maintenance personnel with the safe operation and maintenance procedures for the Greenlee 881 and 881CT Cam Track® Hydraulic Benders.

Keep this manual available to all personnel.

Replacement manuals are available upon request at no charge at www.greenlee.com.

All specifications are nominal and may change as design improvements occur. Greenlee Textron Inc. shall not be liable for damages resulting from misapplication or misuse of its products. Cam Track is a registered trademark of Greenlee Textron Inc.

KEEP THIS MANUAL

IMPORTANT SAFETY INFORMATION



SAFETY ALERT SYMBOL

This symbol is used to call your attention to hazards or unsafe practices which could result in an injury or property damage. The signal word, defined below, indicates the severity of the hazard. The message after the signal word provides information for preventing or avoiding the hazard.

⚠ DANGER

Immediate hazards which, if not avoided, **WILL** result in severe injury or death.

⚠ WARNING

Hazards which, if not avoided, **COULD** result in severe injury or death.

⚠ CAUTION

Hazards or unsafe practices which, if not avoided, **MAY** result in injury or property damage.

⚠ WARNING

Use only Greenlee shoes and components when operating this bender. Other manufacturers' shoes and components may fail during operation, propelling broken parts with great force.

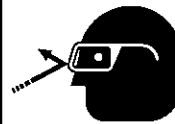
Failure to observe this warning could result in severe injury or death.



⚠ WARNING

Pinch points:

Keep hands away from bending shoe, follow bar, saddle, conduit, and other moving parts when bender is in use. Failure to keep hands away from these areas could result in serious injury.



⚠ WARNING

Wear eye protection when operating the bender.

Failure to wear eye protection could result in serious eye injury from flying debris or hydraulic oil.



⚠ WARNING

Read and understand all of the instructions and safety information in this manual before operating or servicing this tool.

Failure to observe this warning could result in severe injury or death.

IMPORTANT SAFETY INFORMATION**⚠ WARNING**

Do not operate while wearing loose clothing. Loose clothing could get caught in moving parts. Failure to observe this warning could result in severe injury.

⚠ CAUTION

Inspect the bender, pump, and hose before each use. Replace damaged, worn, or missing parts with Greenlee replacement parts; a damaged or worn component may fail and strike nearby personnel.

⚠ WARNING

Do not stand in direct line with the hydraulic ram. A component failure could propel parts with great force, striking nearby personnel. Failure to observe this warning could result in severe injury or death.

⚠ CAUTION

Some bender parts and accessories are heavy and require more than one person to lift and assemble. Failure to observe this precaution may result in injury or property damage.

⚠ WARNING

Do not stand in direct line with the follow bar. A component failure could propel the follow bar with great force, striking nearby personnel. Failure to observe this warning could result in severe injury or death.

IMPORTANT

Make sure all hose fittings are properly seated before starting the bend. Incomplete connections may not allow the ram to retract after the bend is complete.

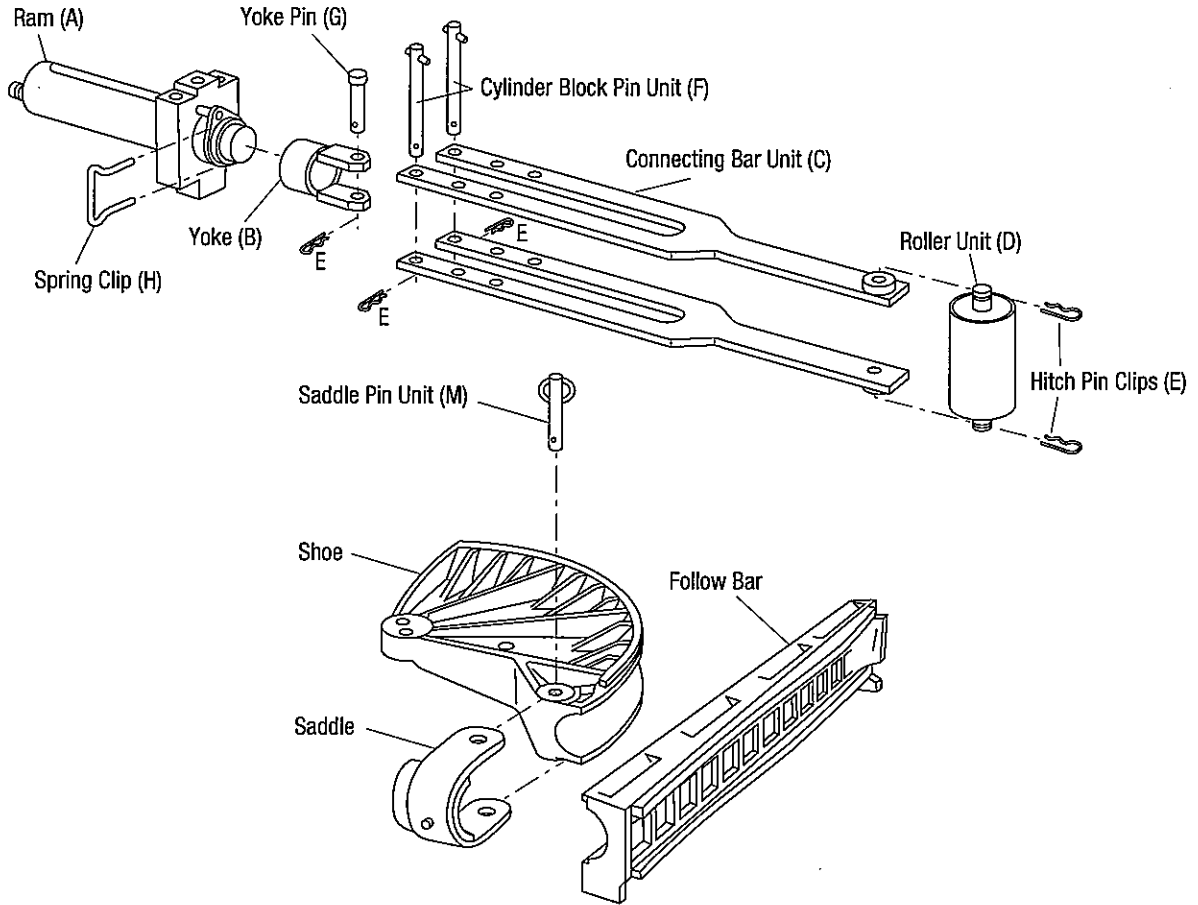
IMPORTANT

Follow the instructions and safety information supplied with your hydraulic pump.

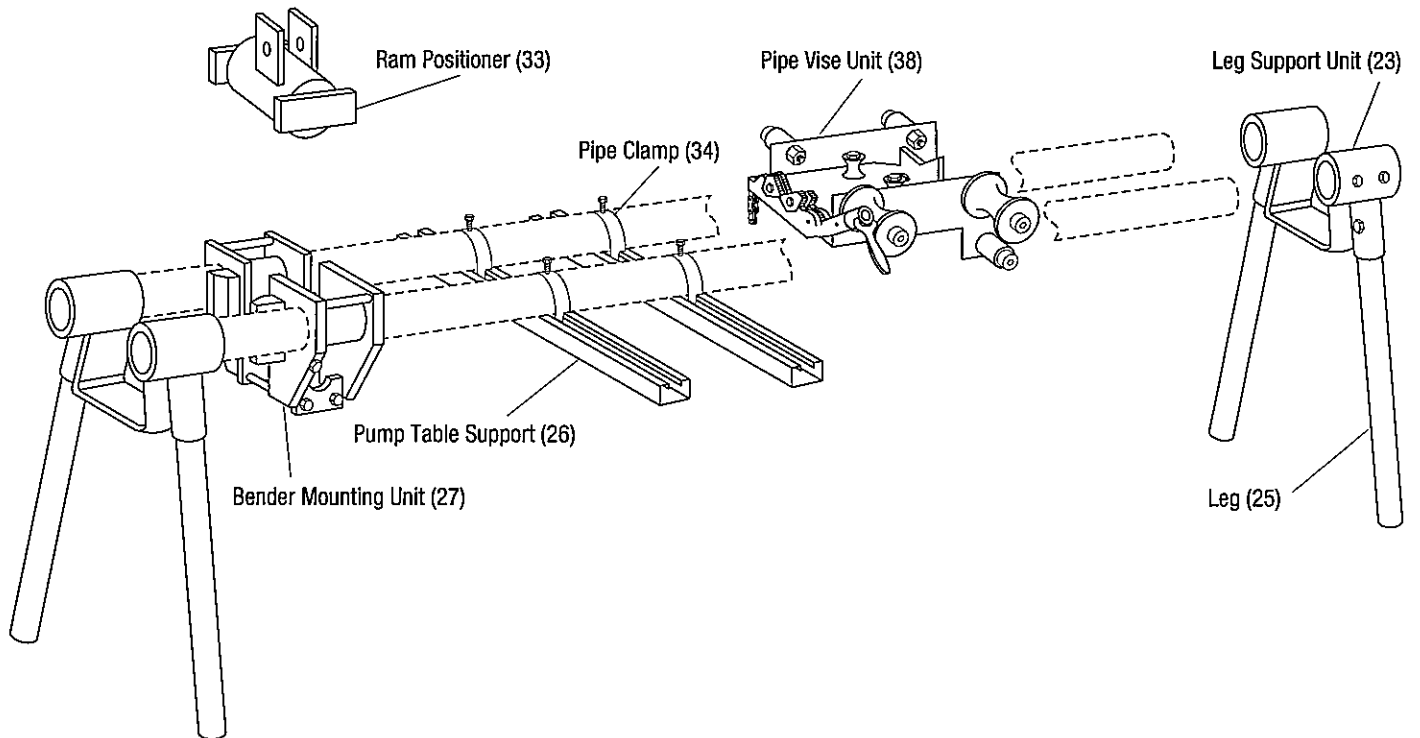
Note: Keep all decals clean and legible, and replace when necessary.

Identification—Major Components

881 and 881CT Hydraulic Benders

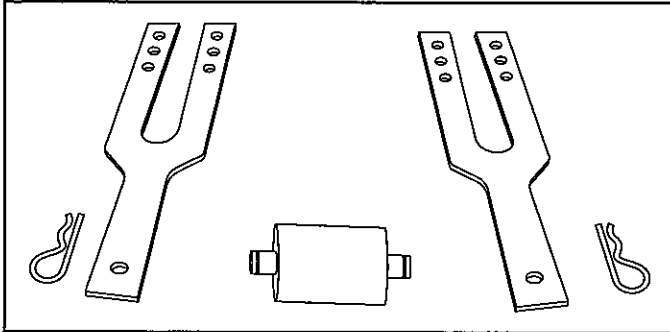


1813 Bending Table

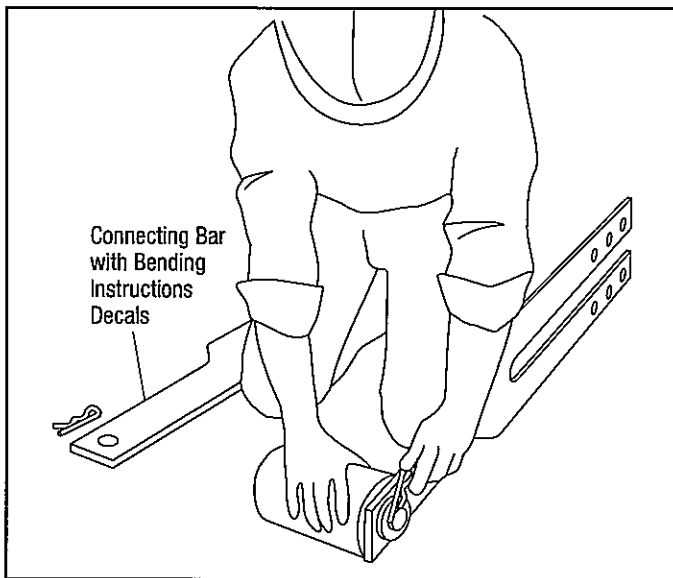


Assembly and Operation Instructions

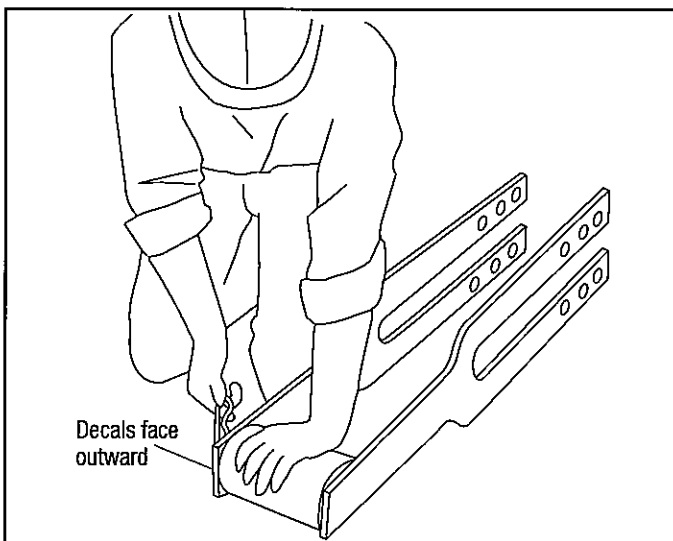
881 and 881CT—Floor Operation (refer to “Identification—Major Components”)



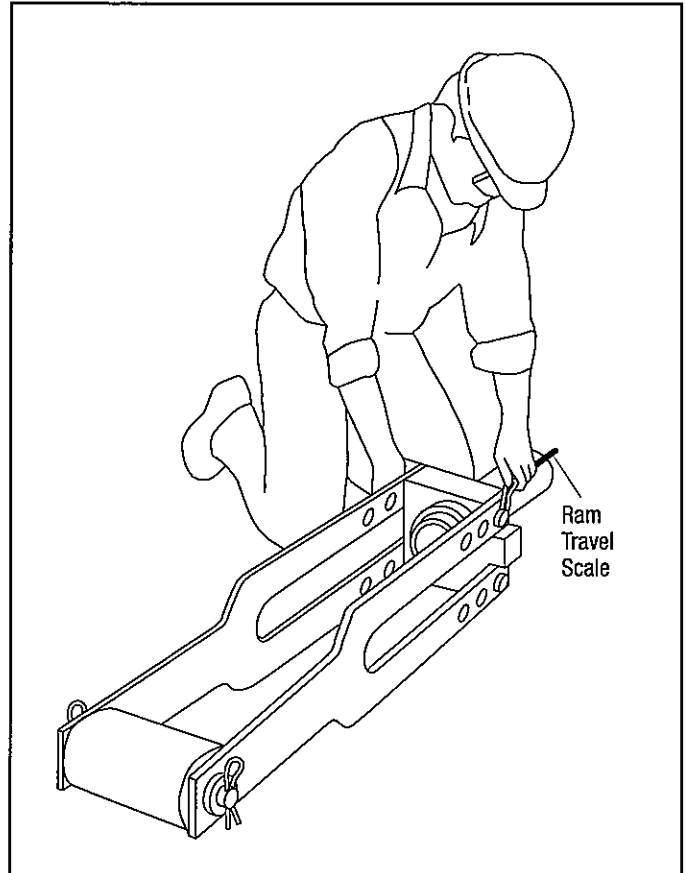
1. Lay out the connecting bars (C), roller unit (D), and two hitch pin clips (E).



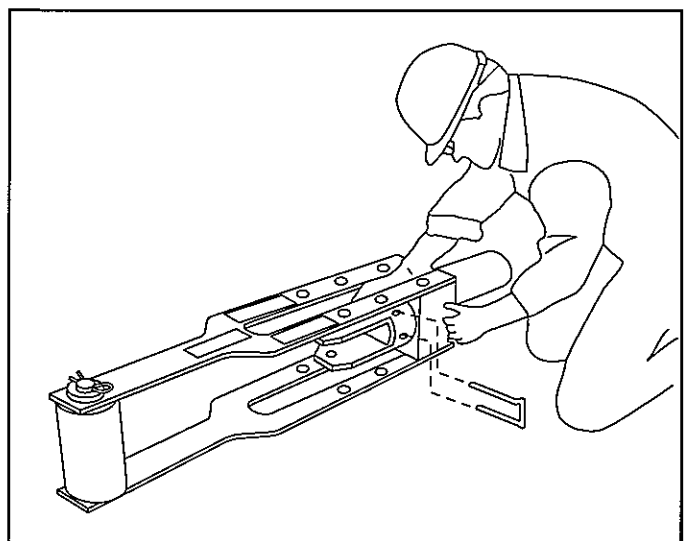
2. Attach the roller unit to one of the connecting bars with a hitch pin clip, as shown.



3. Repeat Step 2 for the other connecting bar.



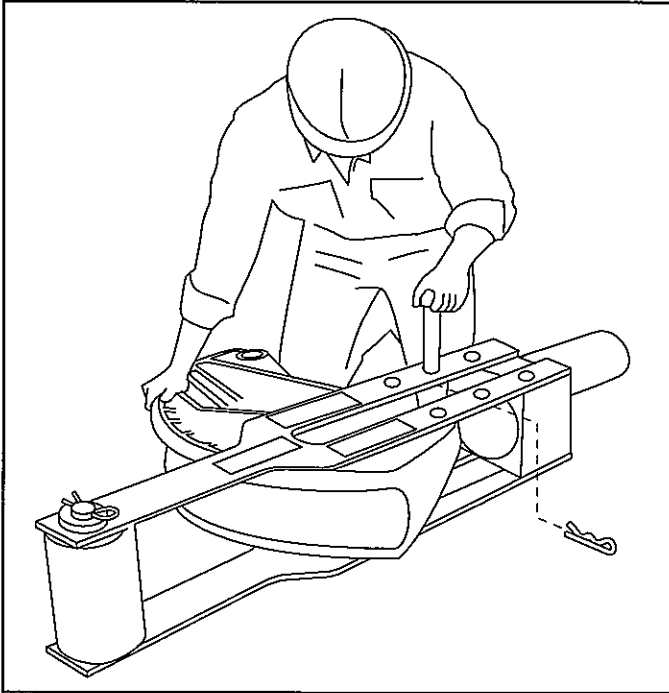
4. Position the ram and cylinder block so that, from the operator's point of view, the ram scale is up and to the left of the ram.



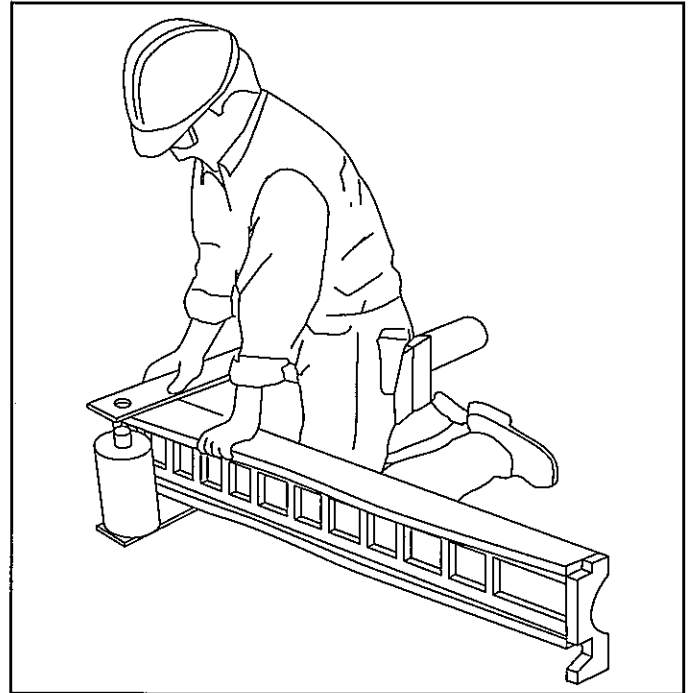
5. Attach the yoke (B) to the ram with the spring clip (H).

Assembly and Operation Instructions

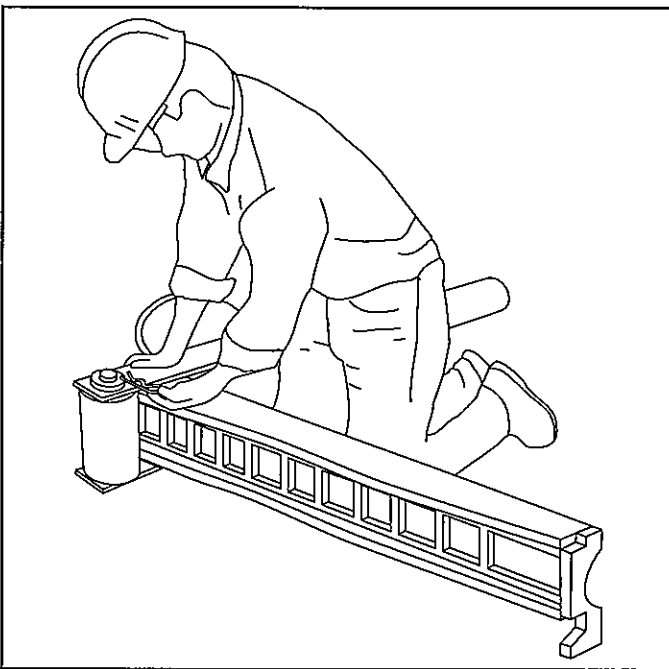
881 and 881CT—Floor Operation (cont'd)



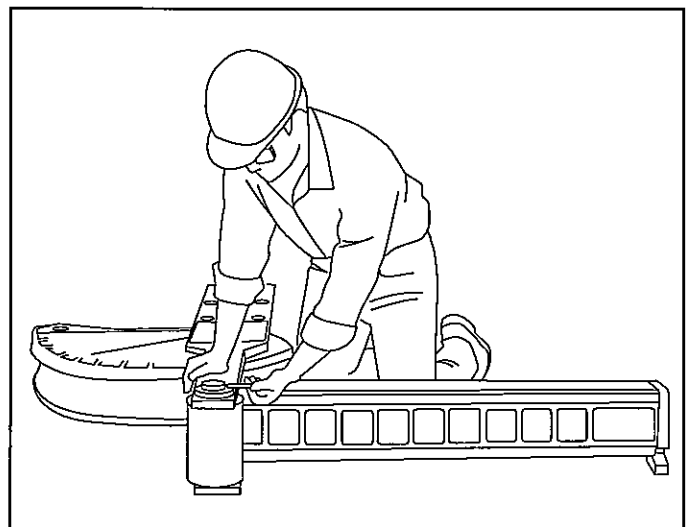
6. Select the shoe for the size of conduit to be bent. Insert the shoe with the shoe size marking facing up. Align either the EMT or Rigid/IMC hole with the yoke and insert the yoke pin (G). Secure the yoke pin with a hitch pin clip (E).



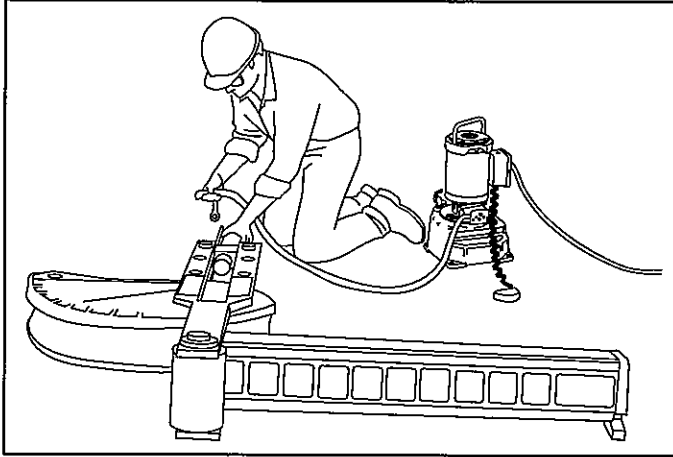
8. Lift the connecting bar and insert the follow bar.
Note: Insert the end marked START.



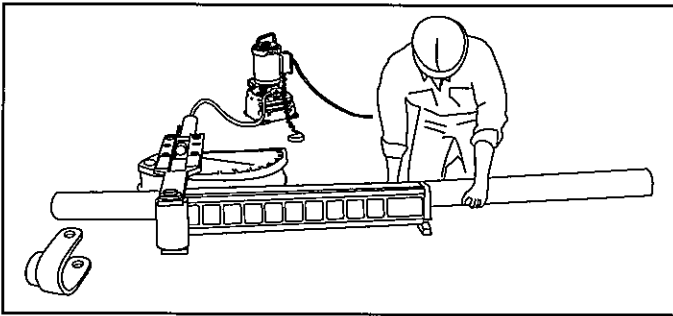
7. Remove one hitch pin clip from the roller shaft.



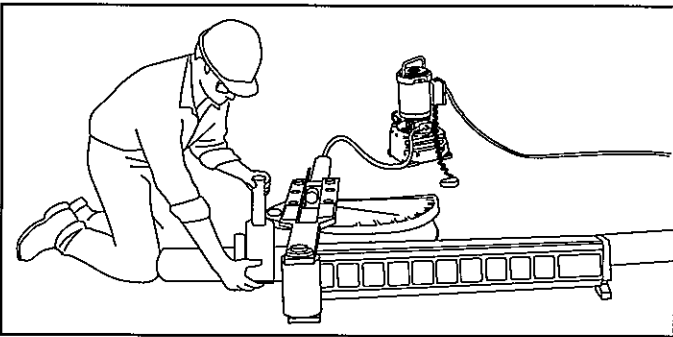
9. Reinsert the hitch pin clip into the roller shaft.

Assembly and Operation Instructions
881 and 881CT—Floor Operation (cont'd)


10. Attach the hose (L) to the pump and ram.



11. Make sure the shoe and follow bar grooves are clean. Insert the conduit into the bender.



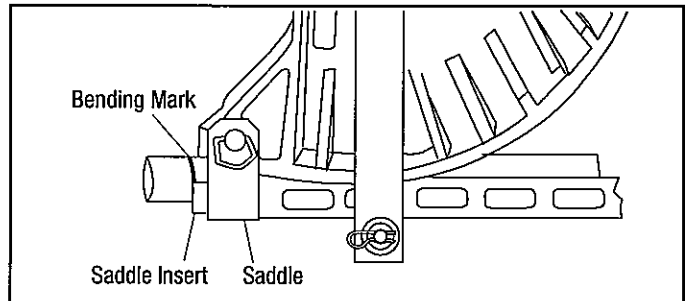
12. Set the conduit into the groove of the shoe. Rotate the shoe as necessary to align the saddle with the shoe. Position the saddle so the saddle insert is toward the operator, as shown. Attach the saddle to the shoe with the saddle pin unit (M); secure the pin unit with the hitch pin clip (E).

Note: Align the bending mark on the conduit with the outside edge of the saddle insert.

IMPORTANT

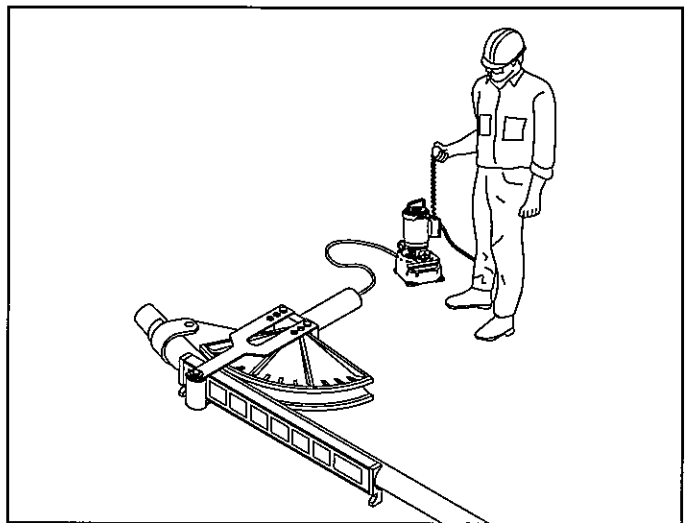
Follow the instructions and safety information supplied with your hydraulic pump.

The instructions provided here apply to Greenlee 960 (shown in the illustrations) and 980 (not shown) hydraulic pumps only.



13. Rotate the pump control lever counterclockwise. Activate the hydraulic pump until the shoe just contacts the conduit. Check that the saddle and follow bar are snug. Be sure that the follow bar contacts the saddle. Be sure that the bending mark on the conduit is aligned with the front edge of the saddle insert. Calibrate the bender (refer to "Calibrate Bender Before Bending" under "Table 3—Ram Travel").

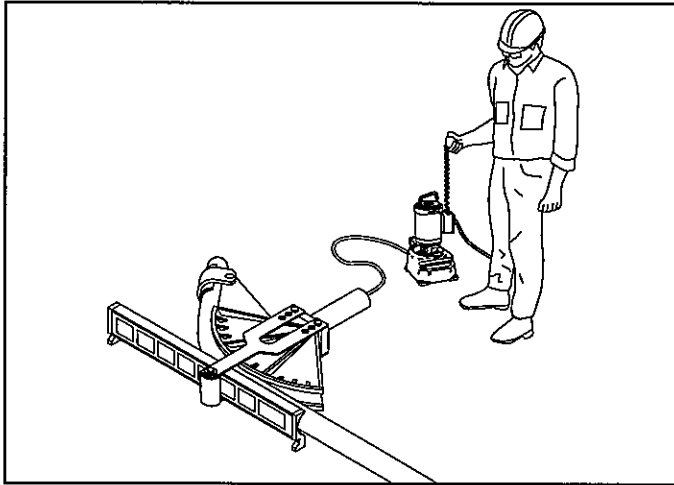
Activate the hydraulic pump to begin the bend.



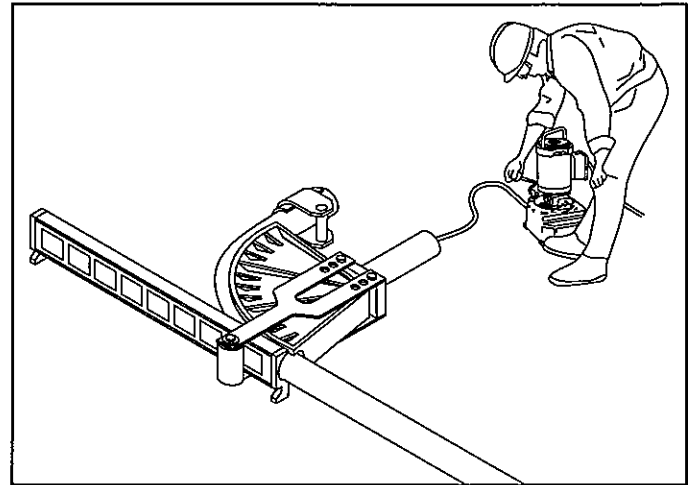
14. 10° of bend.

Assembly and Operation Instructions

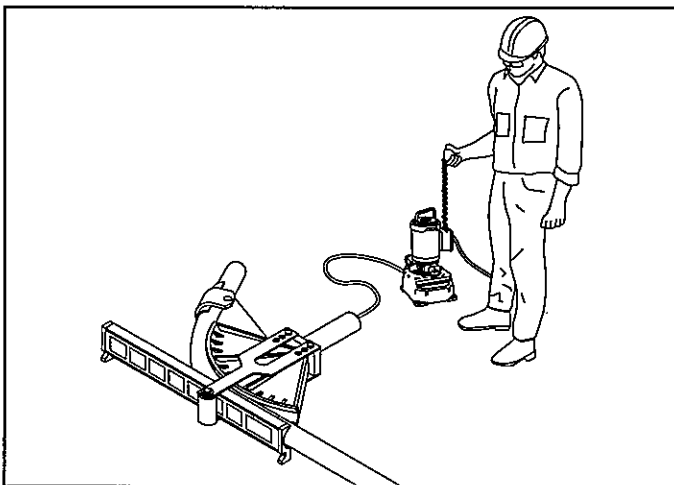
881 and 881CT—Floor Operation (cont'd)



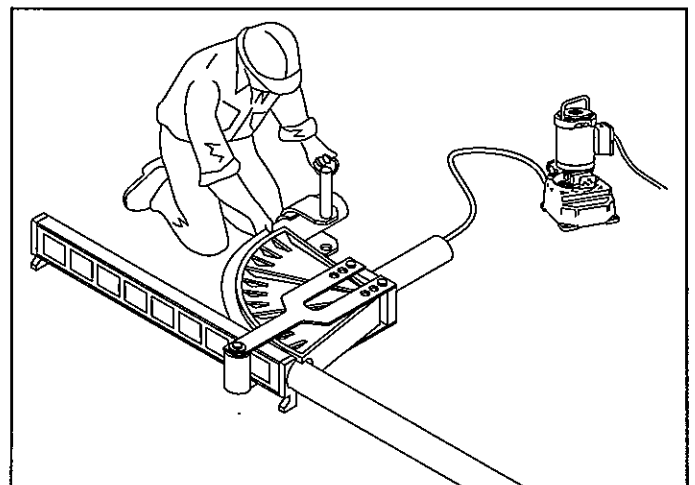
15. 45° of bend.



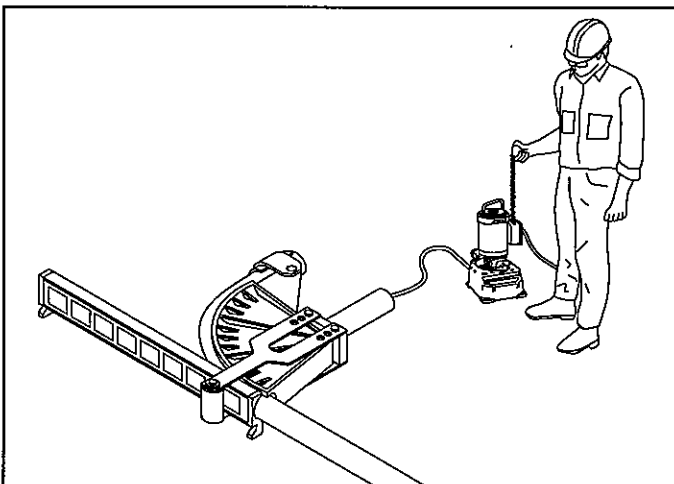
18. Release the hydraulic pressure. The ram will retract.



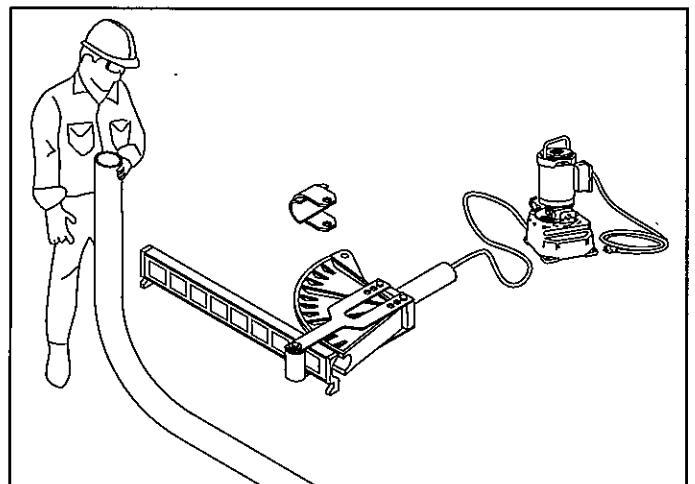
16. 60° of bend.



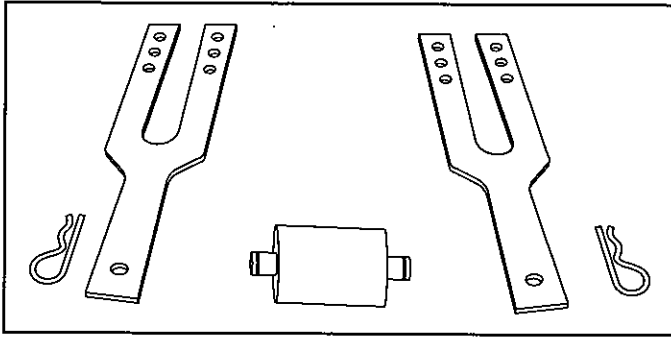
19. Remove the saddle pin.



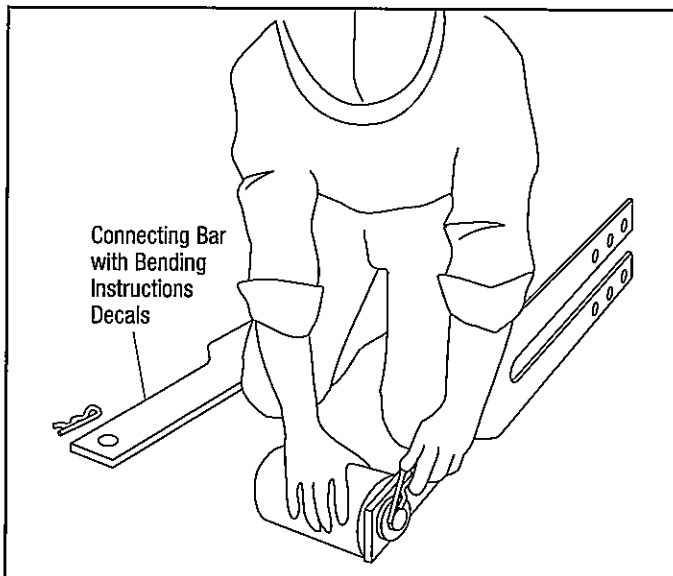
17. 90° of bend.



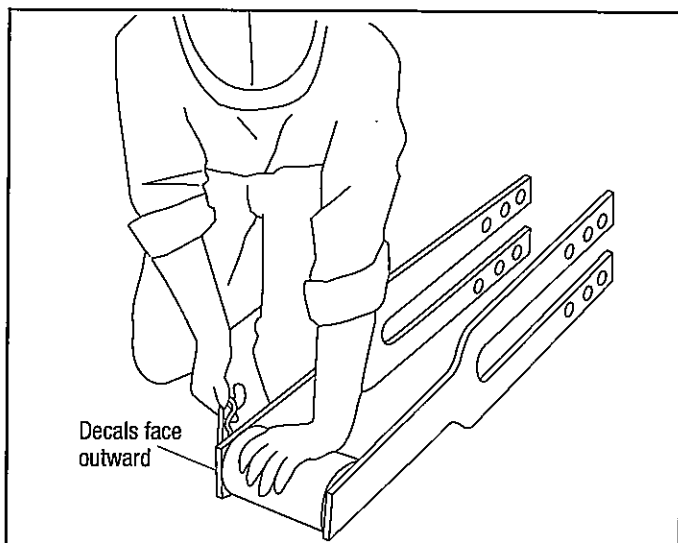
20. The 90° bend is complete.

Assembly and Operation Instructions
881 and 881CT with 1813 Bending Table (refer to "Identification—Major Components")


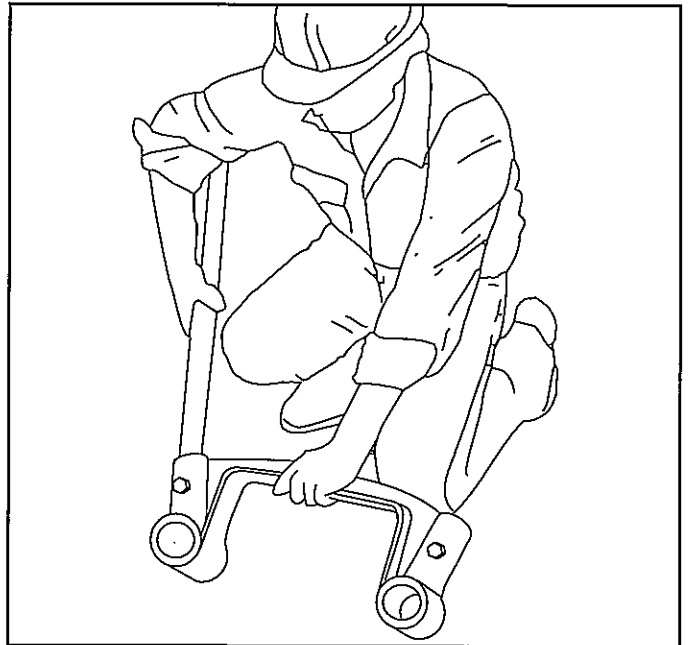
1. Lay out the connecting bars (C), roller unit (D), and two hitch pin clips (E).



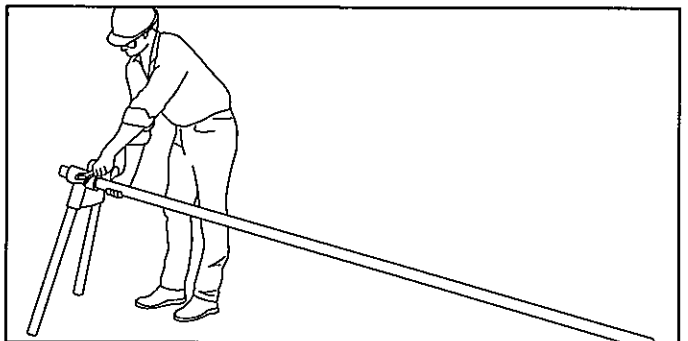
2. Attach the roller unit to one of the connecting bars with a hitch pin clip, as shown.



3. Repeat Step 2 for the other connecting bar.

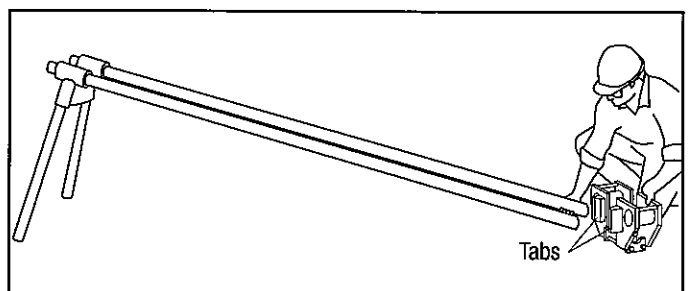


4. Insert 29" leg (25) into leg support unit (23). Tighten the cap screw (24). Repeat for the other three legs.



5. Insert two 10-foot lengths of IMC or rigid conduit into the leg support unit (23). Tighten four cap screws (24).

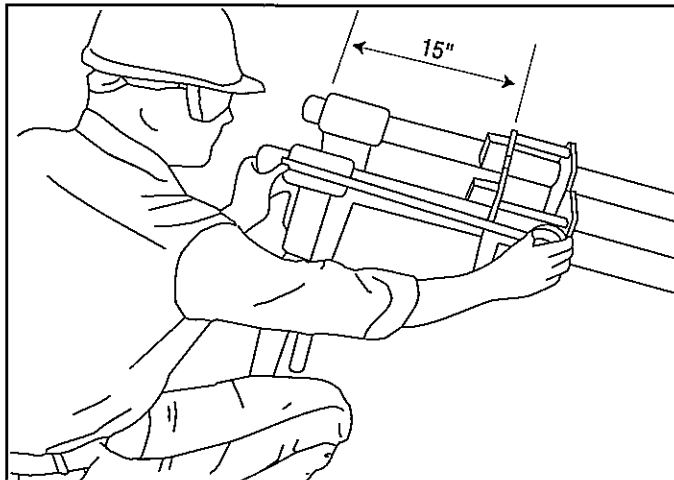
Note: These lengths of conduit are not furnished with the 1813 Bending Table.



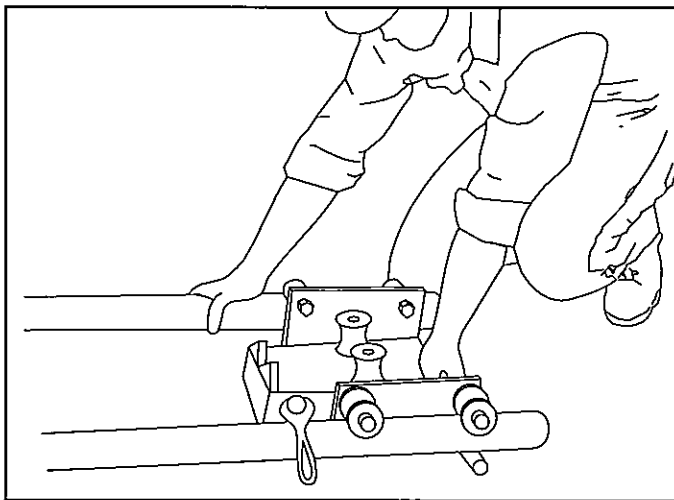
6. Position the bender mounting unit (27) as shown, and slide it, tabs first, onto the two 10-foot conduits.

Assembly and Operation Instructions

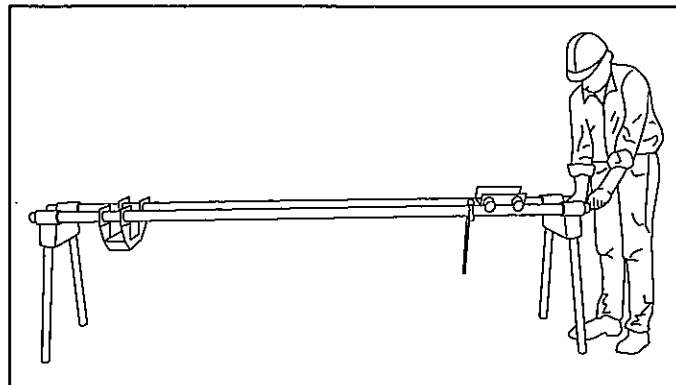
881 and 881CT with 1813 Bending Table (cont'd)



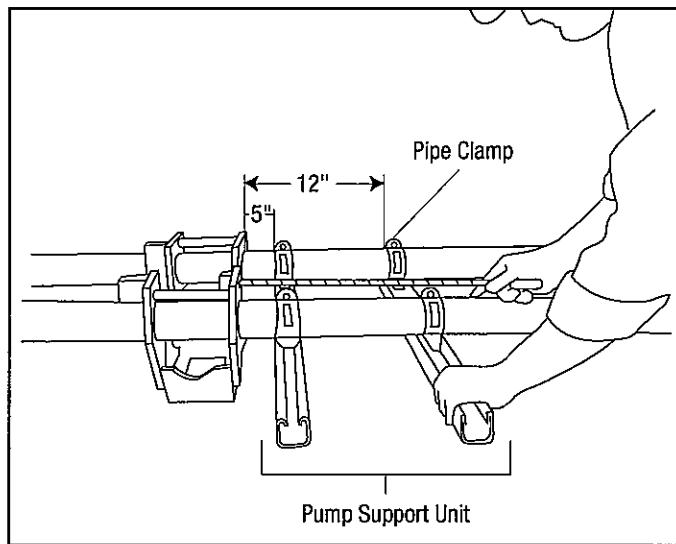
7. Position the bender mounting unit 15" from the leg support unit. Tighten the two bender mounting unit screws (28).



8. Slide the pipe vise unit (38) onto the two 10-foot conduits, as shown.



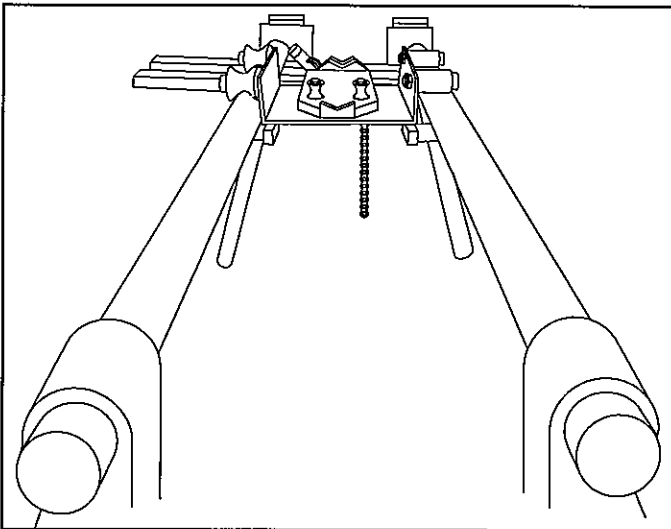
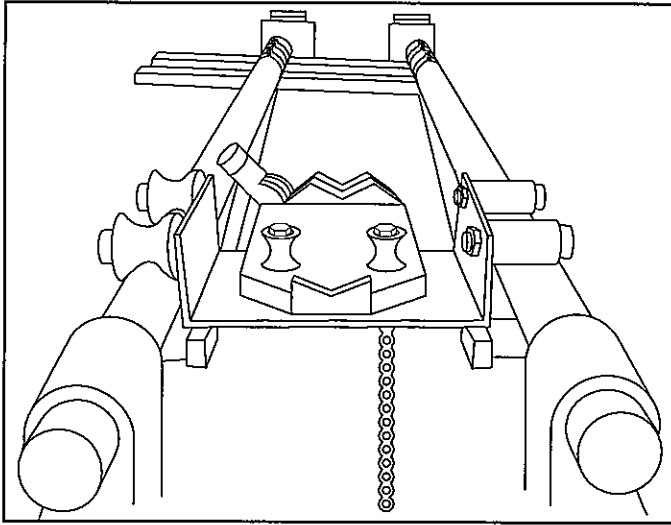
9. Attach the second leg support unit (23) to the 10-foot conduits. Tighten the four screws (24).



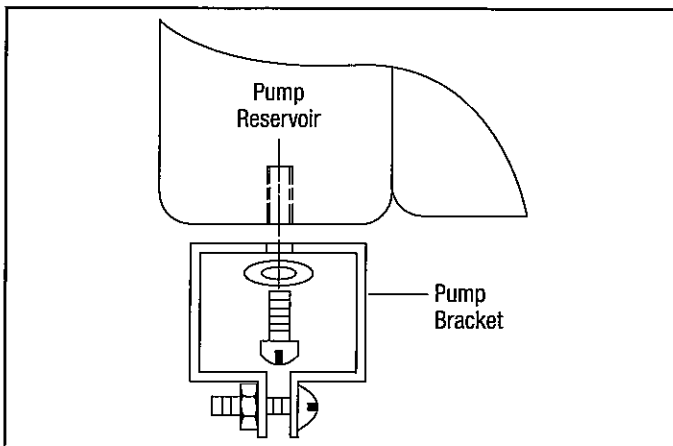
10. Hang the two pipe clamps (34) over each of the 10-foot conduits. Set the pipe clamps 5" and 12" from the bender mounting unit. Mount the pump supports (26) onto the clamps. Do not tighten the clamps.

Assembly and Operation Instructions

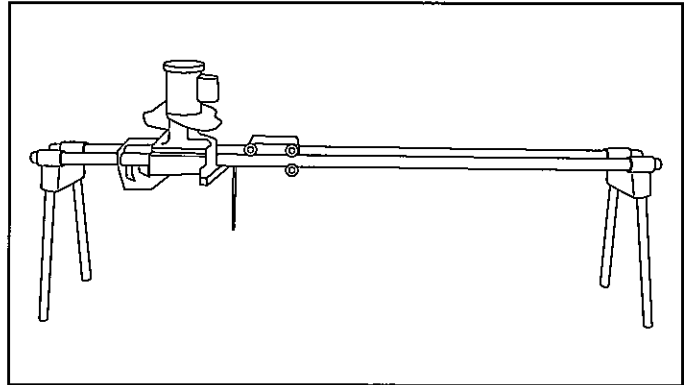
881 and 881CT with 1813 Bending Table (cont'd)



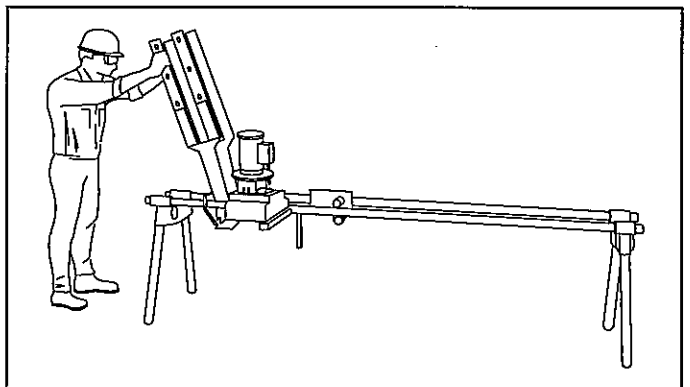
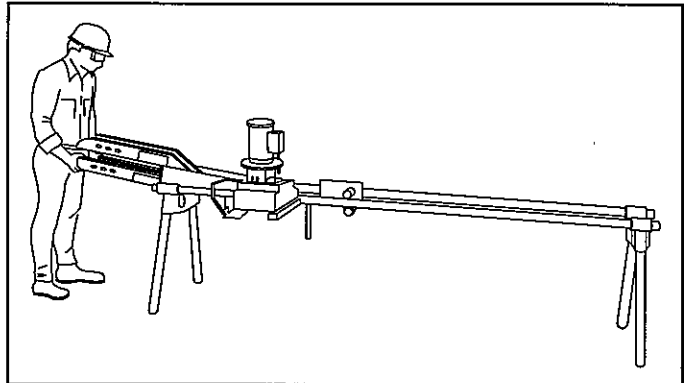
11 and 12. Level the table at both ends.



13. Remove the rubber feet/casters from the pump. Attach the pump bracket (64) to the pump with the pump bracket mounting hardware (40-43). See illustration.



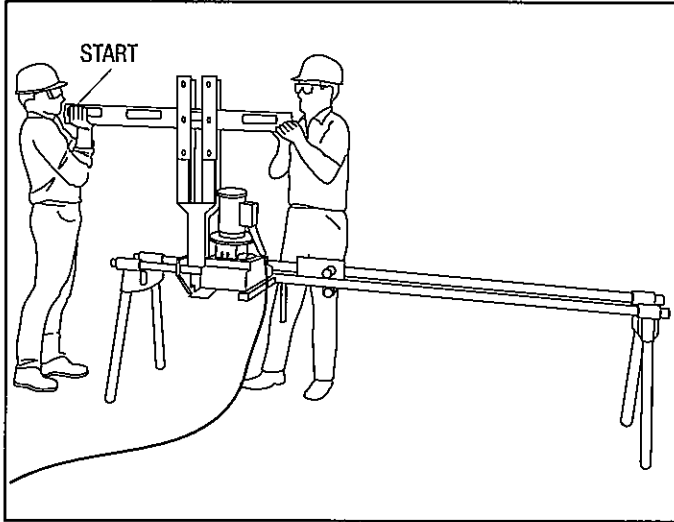
14. Slide the pump onto the pump supports. Tighten the screws on the lower sides of the pump brackets to secure the pump. Verify that the pump supports are 5" and 12" from the bender mounting unit. Tighten the pipe clamp screws.



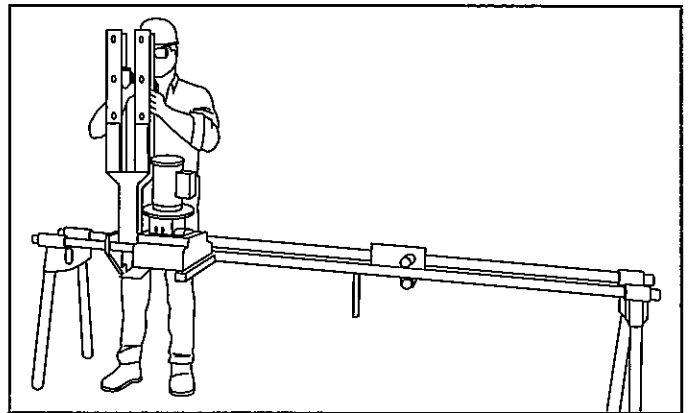
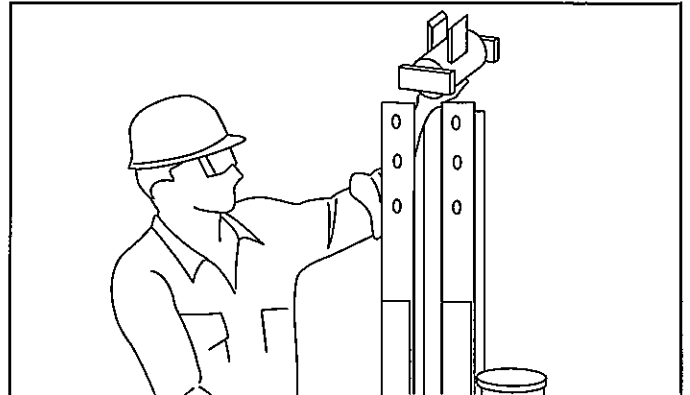
15 and 16. Load the connecting bar and roller unit into the bender mounting unit.

Assembly and Operation Instructions

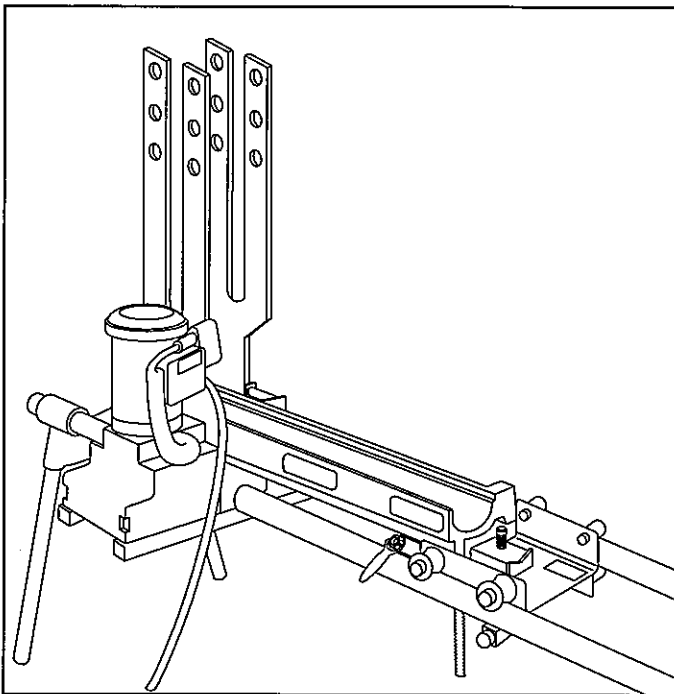
881 and 881CT with 1813 Bending Table (cont'd)



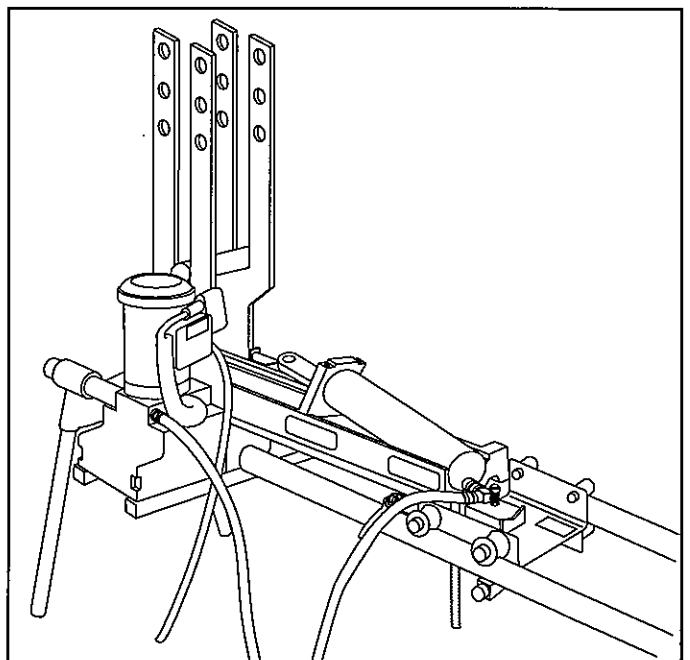
17. Insert the follow bar into the bender with the end marked START, as shown.



19 and 20. Insert the ram positioner (33).



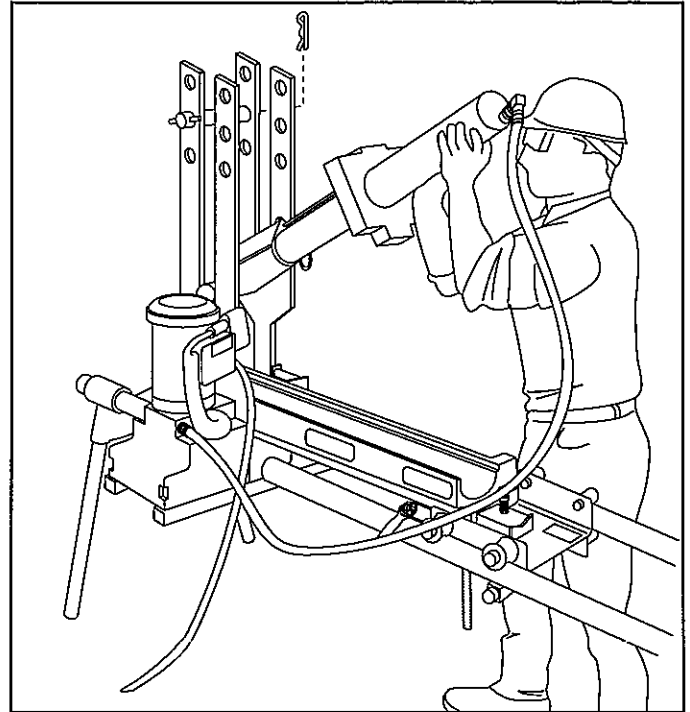
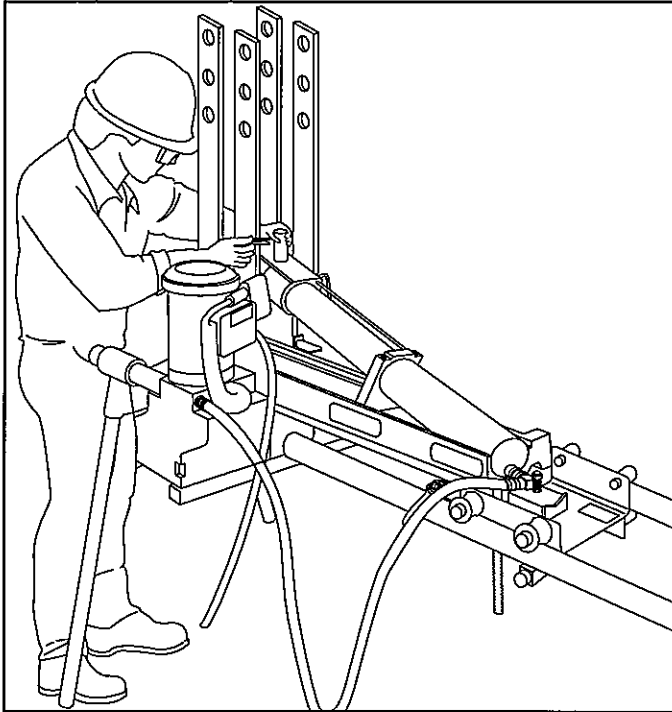
18. Support the rear of the follow bar on the pipe vise unit.



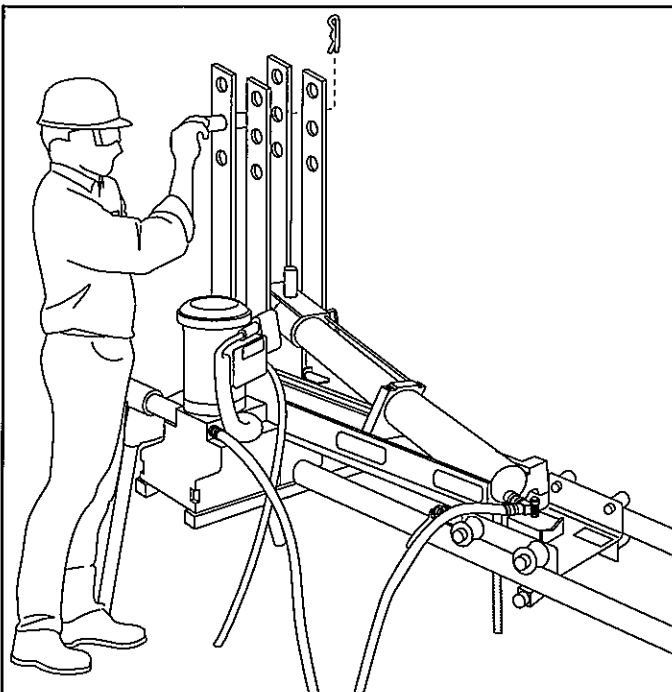
21. Attach the hydraulic fitting unit (29) to the ram, and connect the hose to the fitting unit. Set the cylinder and yoke unit on the follow bar. Rotate the pump control lever counterclockwise.

Assembly and Operation Instructions

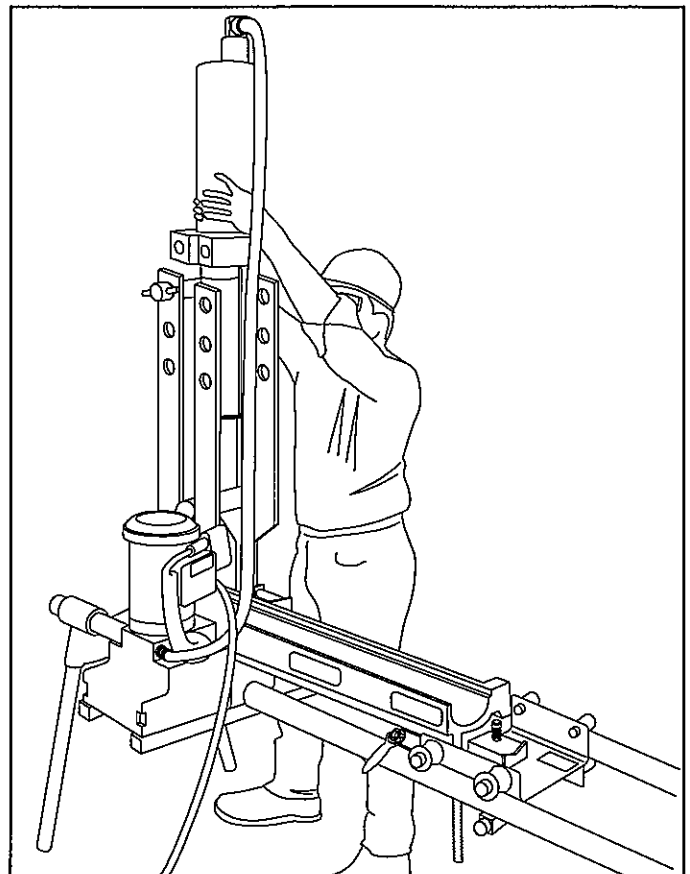
881 and 881CT with 1813 Bending Table (cont'd)



22. Activate the hydraulic pump to extend the ram approximately 14". DO NOT OVER EXTEND. Attach the yoke to the ram positioner with the yoke pin (G). Secure the yoke pin with a hitch pin clip (E).



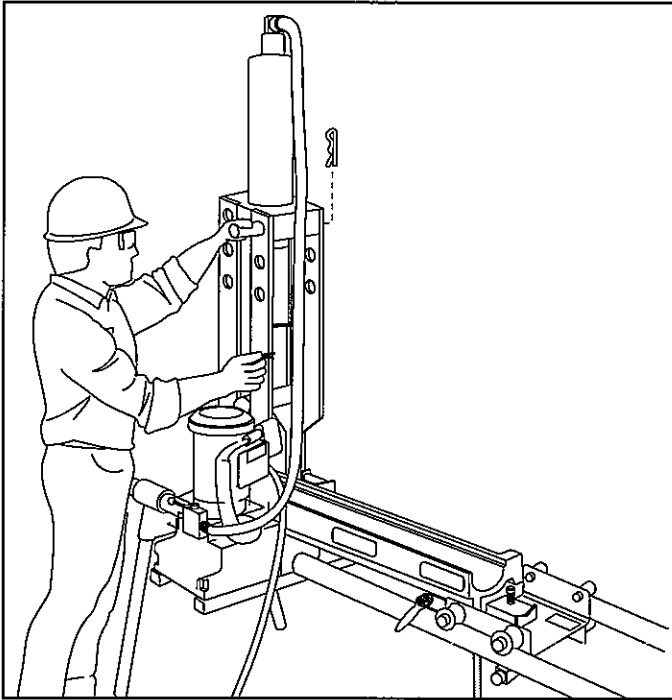
23. Insert one cylinder block pin (F) into the hole marked 3" CONDUIT as shown.



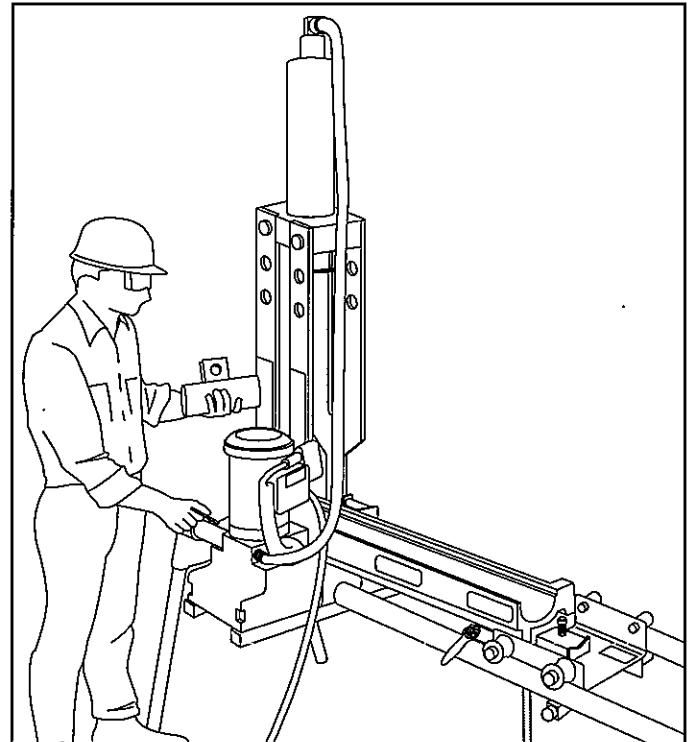
24 and 25. Swing the ram unit into position.

Assembly and Operation Instructions

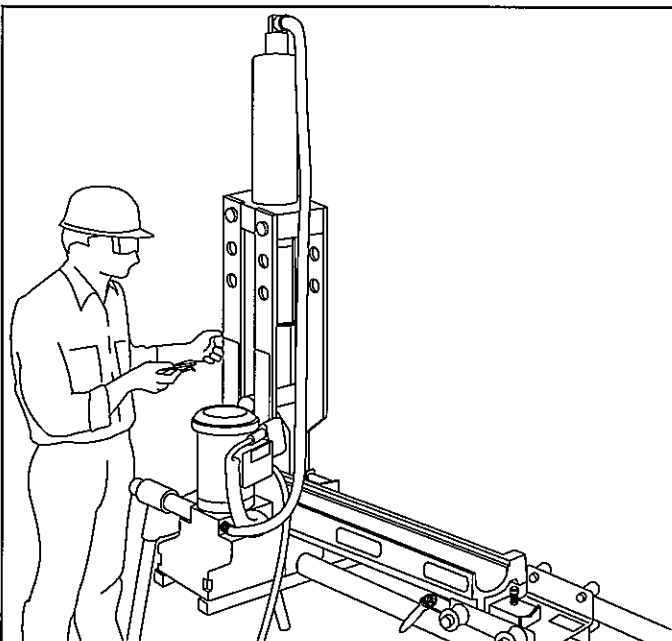
881 and 881CT with 1813 Bending Table (cont'd)



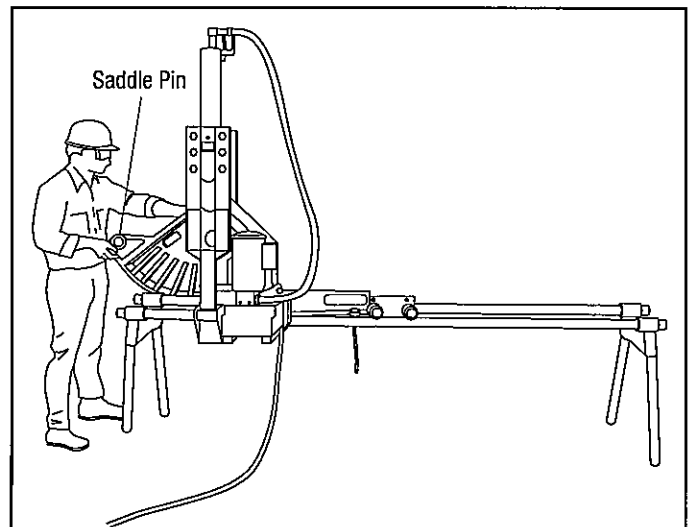
26. Remove the cylinder block pin from the 3" conduit hole in the connecting bar. Rotate the pump control lever clockwise to retract the ram. Position the cylinder block at the proper location for the size of conduit to be bent. Insert the two cylinder block pins (F) through the connecting bars and through the cylinder block. Secure the pins with two hitch pin clips (E).



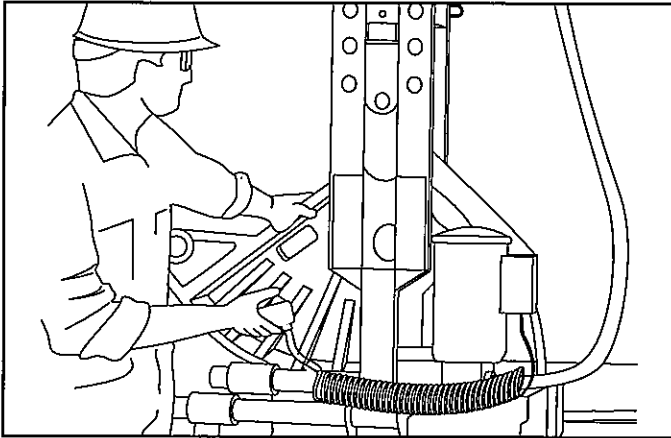
28. Remove the ram positioner from the connecting bar unit.



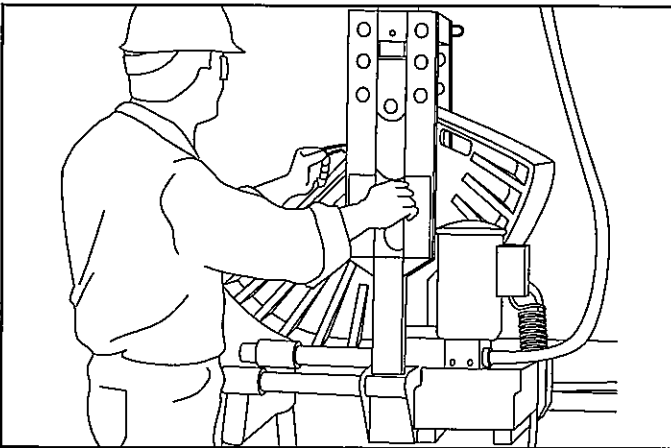
27. Remove the yoke pin from the ram positioner.



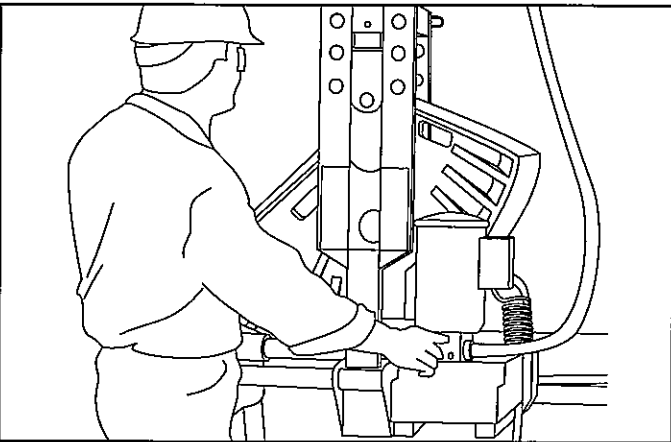
29. Load the shoe into the bender with the saddle pin hole to the left, as shown.

Assembly and Operation Instructions**881 and 881CT with 1813 Bending Table (cont'd)**

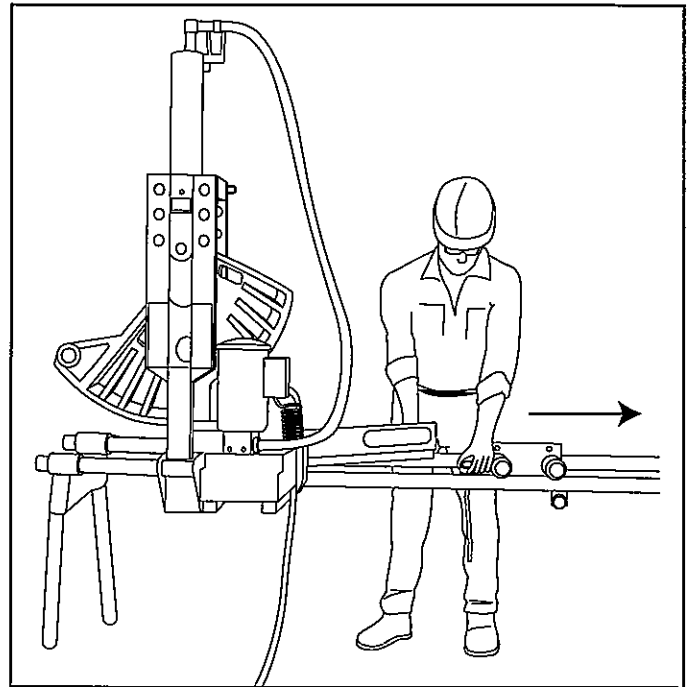
30. Rotate the pump control lever counterclockwise. Activate the hydraulic pump to advance the shoe until the yoke is aligned with the proper shoe yoke pin hole (EMT or IMC/Rigid).



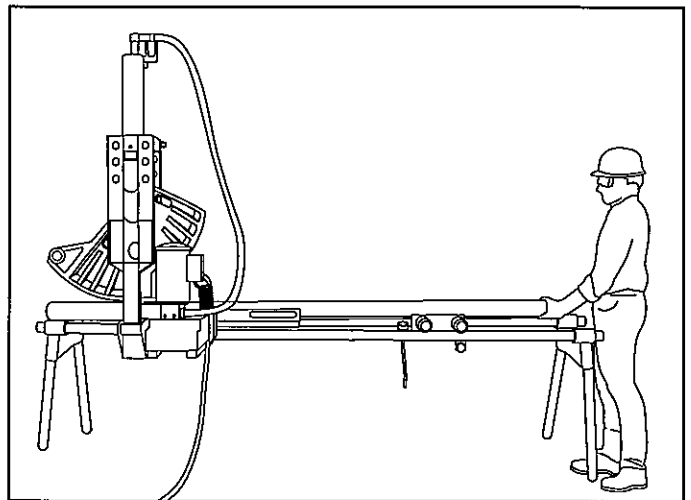
31. Attach the yoke to the shoe with the yoke pin (G). Secure the yoke pin with a hitch pin clip (E).



32. Rotate the pump control lever clockwise to retract the ram.



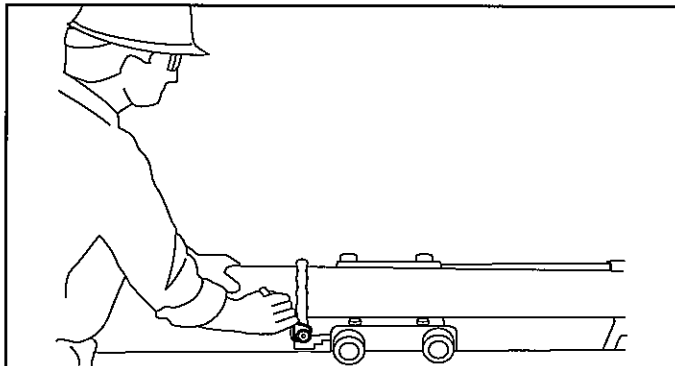
33. Remove the vise unit from its position below the follow bar. Slide the vise unit to the far end of the bending table.



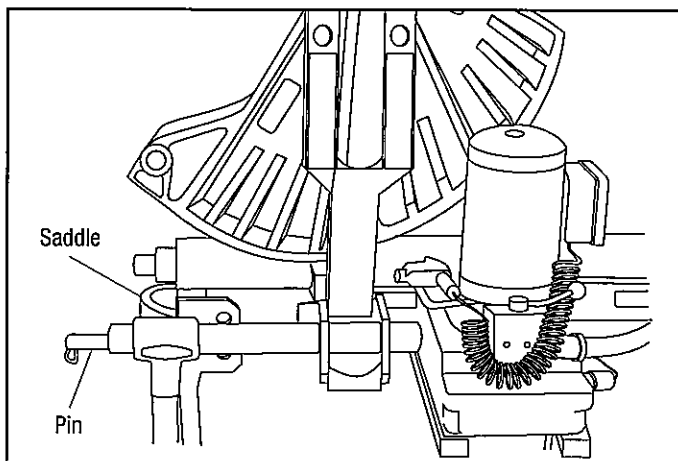
34. Insert the conduit to be bent. Rotate the pump control lever counterclockwise and advance the shoe until it nearly contacts the conduit.

Assembly and Operation Instructions

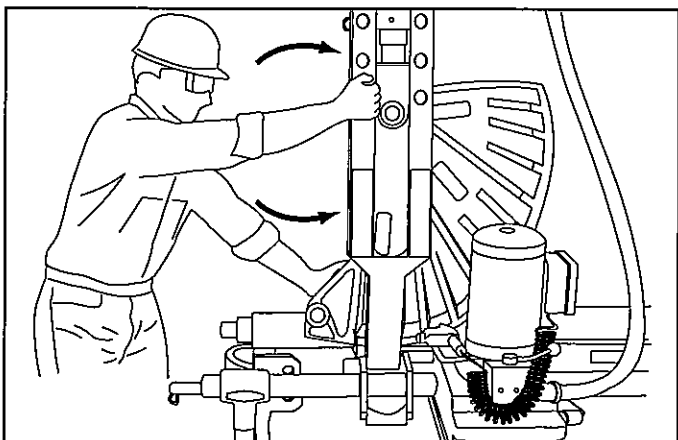
881 and 881CT with 1813 Bending Table (cont'd)



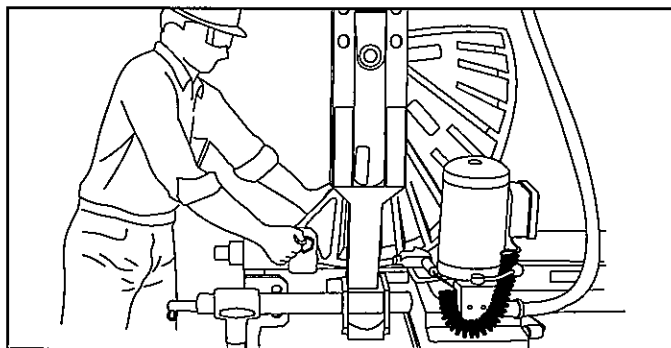
35. Position the vise unit at a distance from the pump support so that the vise unit will not contact the pump support before the bend is complete. Clamp the conduit down in the vise unit.



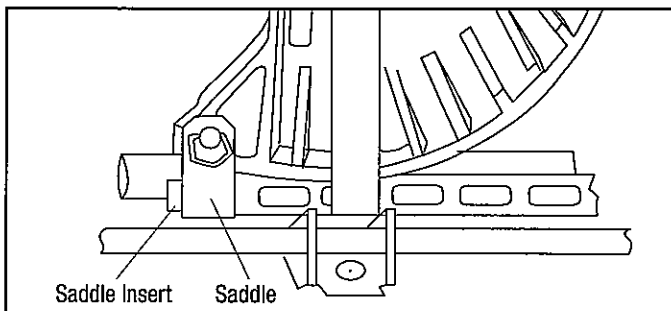
36. Push the follow bar back (to the right in the illustration) until the follow bar foot contacts the bender mounting unit. Position the saddle and saddle pin (M) where they can be reached for assembly.



37. Rock the bender frame as shown and rotate the shoe back for the assembly of the saddle and pin.



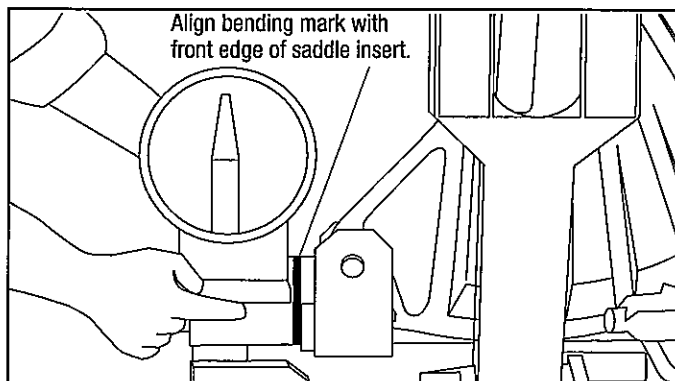
38. Hold the shoe against the conduit and position the saddle so the saddle insert is toward the operator. Align the hole in the saddle with the hole in the shoe and insert the saddle pin (M). Secure the saddle pin with the hitch pin clip (E).



39. Allow the bender to rock forward and ensure that the follow bar comes forward with it, so that the follow bar contacts the saddle.

IMPORTANT

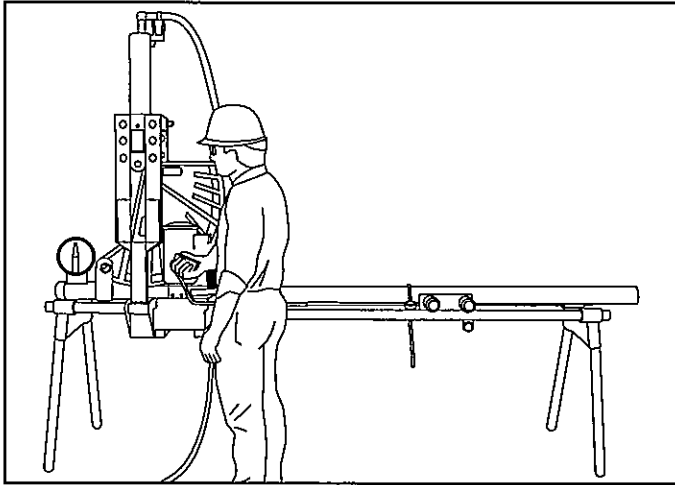
Follow the instructions and safety information supplied with your hydraulic pump.



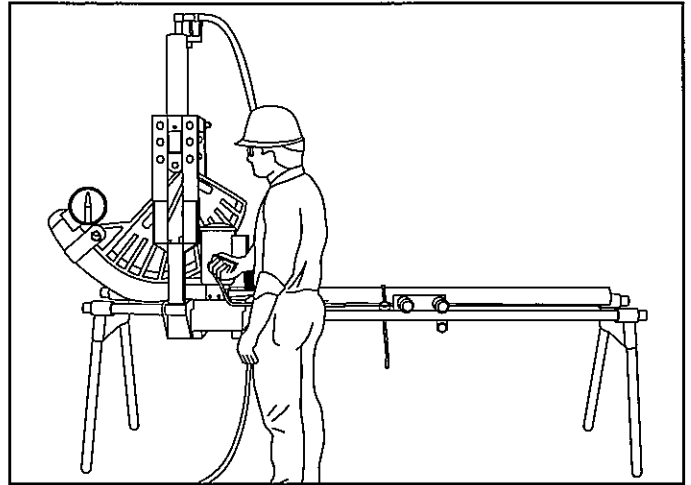
40. Rotate the pump control lever counterclockwise. Activate the hydraulic pump until the shoe just contacts the conduit. Check that the saddle and follow bar are snug, and that the follow bar is against the saddle, as shown. Be sure that the bending mark on the conduit is aligned with the front edge of the saddle insert. Attach the model 1805 Bending Degree Indicator (35) to the conduit. Zero the indicator by rotating the degree wheel.

Assembly and Operation Instructions

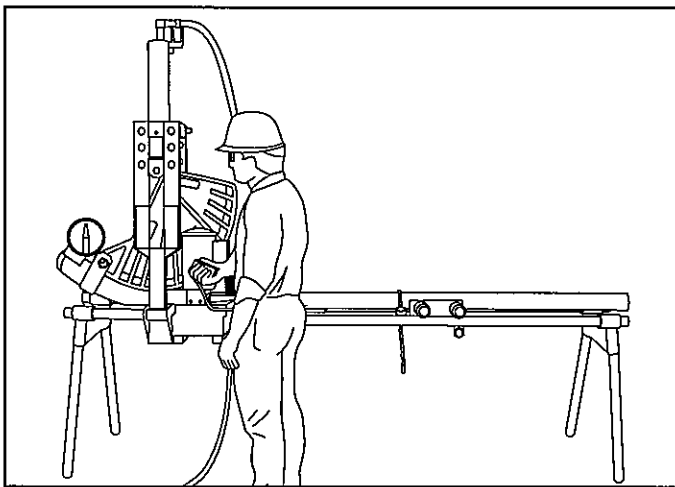
881 and 881CT with 1813 Bending Table (cont'd)



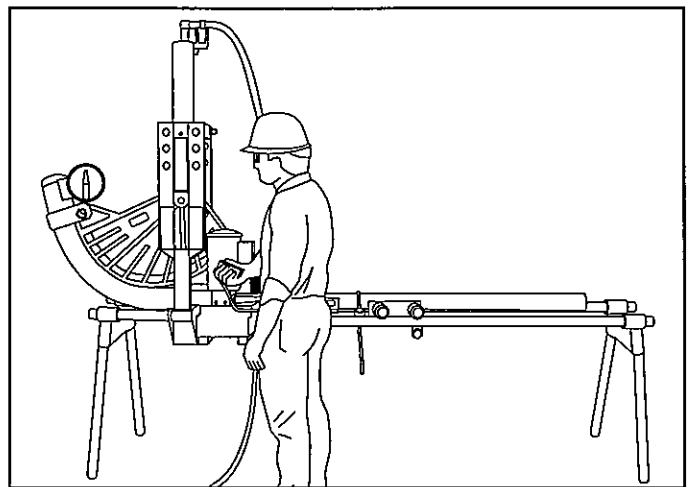
41. Activate the hydraulic pump to begin the bend.



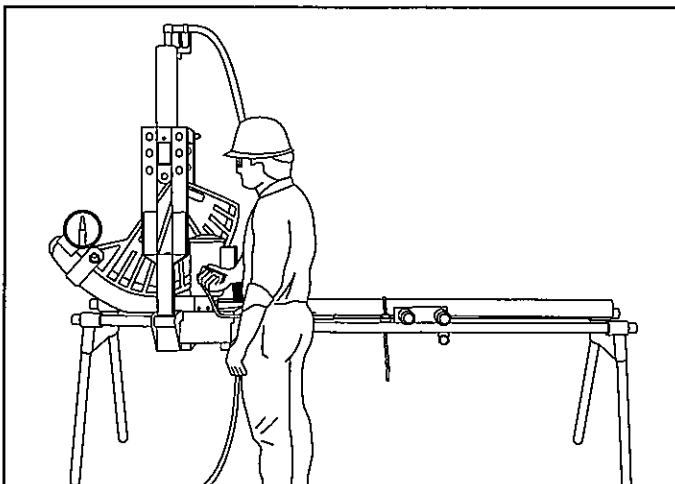
44. 45° of bend.



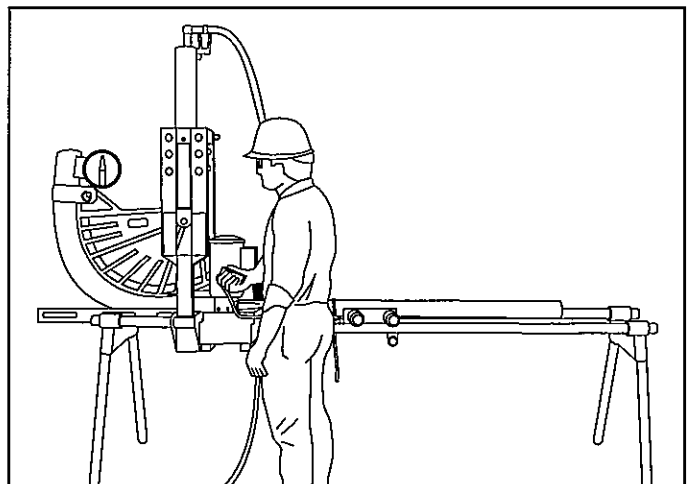
42. 15° of bend.



45. 60° of bend.



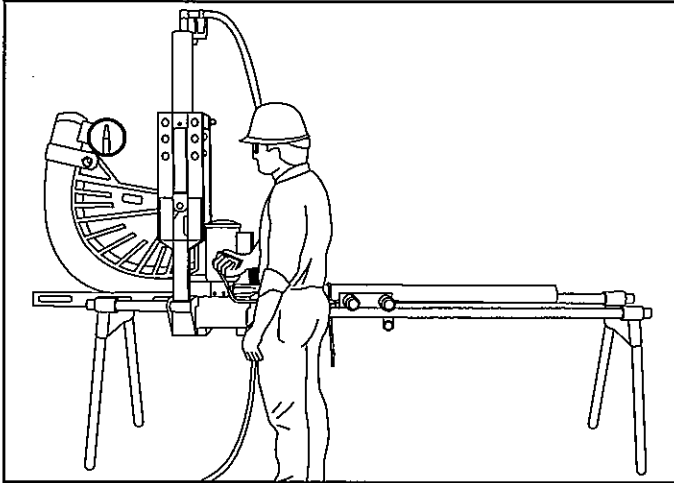
43. 30° of bend.



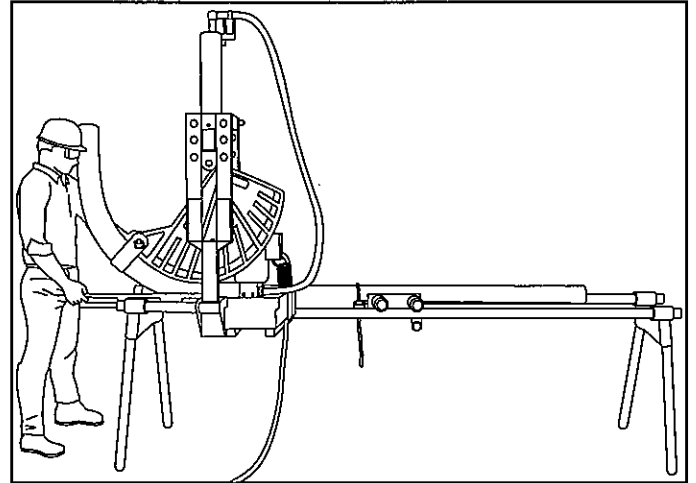
46. 75° of bend.

Assembly and Operation Instructions

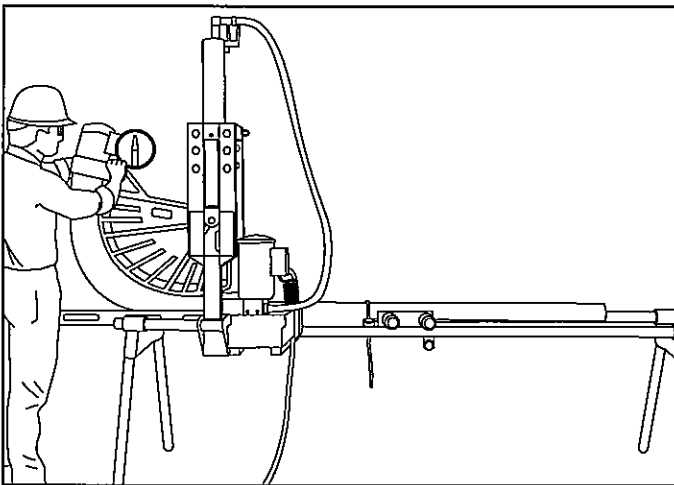
881 and 881CT with 1813 Bending Table (cont'd)



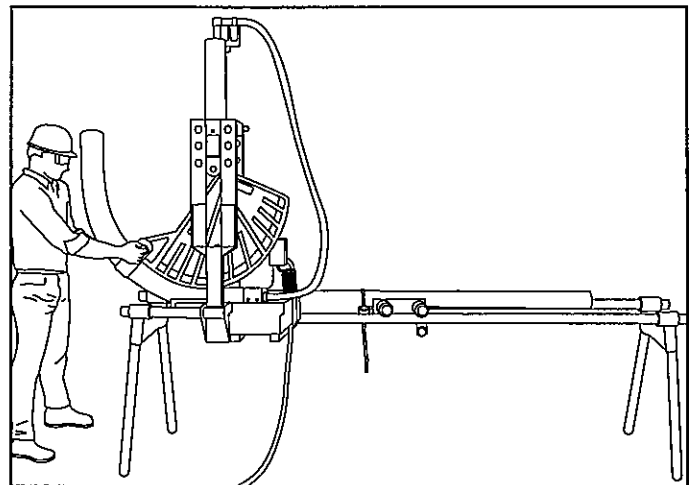
47. 90° of bend.



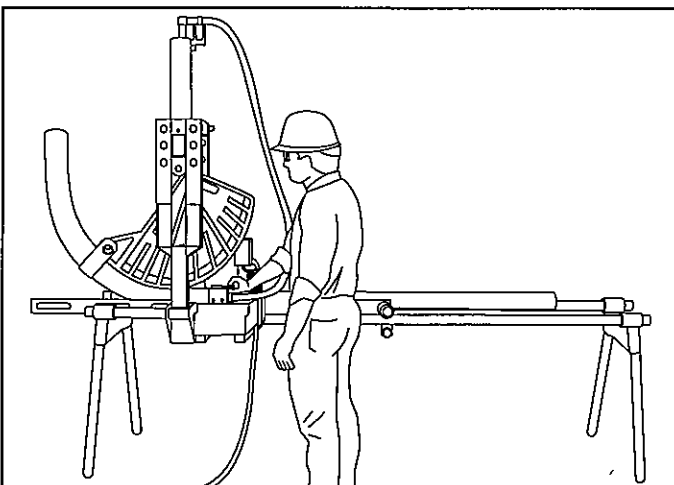
50. Push the follow bar back to the start position.



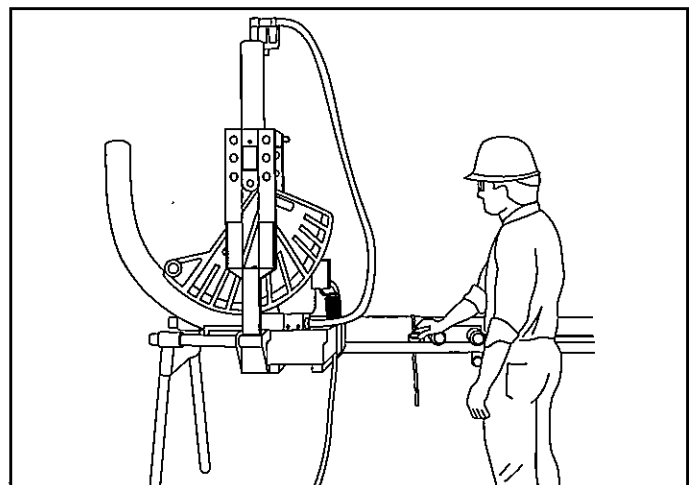
48. Remove the 1805 Bending Degree Indicator.



51. Remove the saddle pin and saddle.



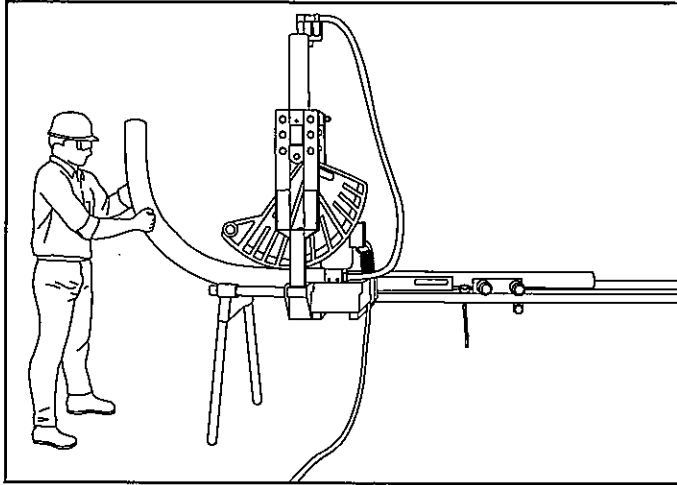
49. Rotate the pump control lever clockwise to retract the shoe.



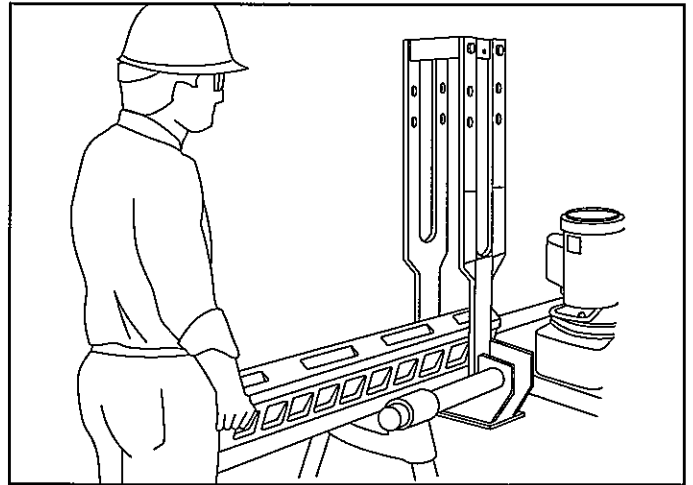
52. Release the vise chain.

Assembly and Operation Instructions

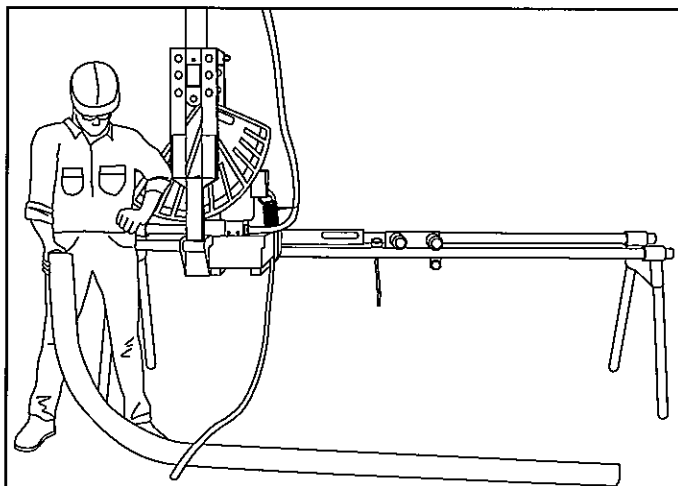
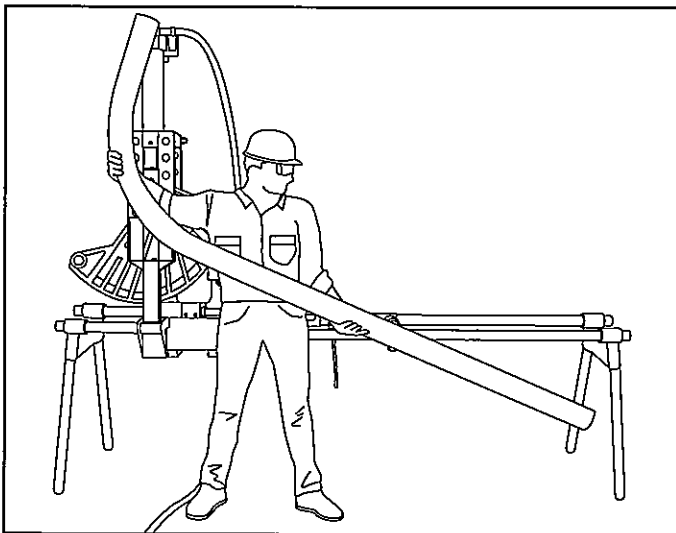
881 and 881CT with 1813 Bending Table (cont'd)



53. Remove the conduit from the bender.



56. To change the follow bar, twist and remove.



54 and 55. The 90° bend is complete.

Glossary of Bending Terms with Illustrations

- amount of offset**—the distance that the conduit or pipe must be re-routed to avoid an obstruction; see offset in this glossary and “Offsets” in “Laying Out Bends” in this manual

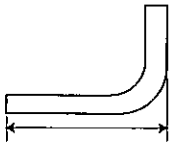


- back-to-back bend**—any U-shaped bend formed by two parallel 90-degree bends with a straight section of conduit or pipe between the bends

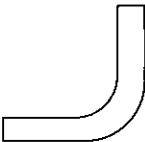
- center-to-center distance**—the distance between the successive bends that make up an offset or a three-bend saddle

- depth of offset**—same as amount of offset

- height of offset**—same as amount of offset



- leg length**—the distance from the end of a horizontal section of conduit or pipe to the bend; measured from the end to the center line, inside edge, or outside edge of the conduit or pipe.

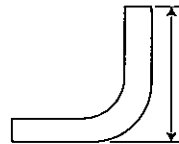


- 90° bend**—any bend that changes the direction of the conduit or pipe by 90 degrees

- O.D.**—the size of any piece of conduit or pipe as measured by its outside diameter

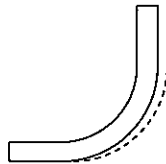
- offset bend**—two bends with the same degree of bend; used to avoid an obstruction blocking the run of the conduit or pipe

- ram travel**—the distance that the ram of a hydraulic bender moves to accomplish a particular bend; inches of ram travel are proportionate to degrees of bend



- rise**—the distance from the end of a vertical section of conduit or pipe to the bend; measured from the end to the center line, inside edge, or outside edge of the conduit or pipe

- shot**—a single bend



- springback**—the amount, measured in degrees, that a conduit or pipe tends to straighten after being bent

- stub**—same as rise

- stub-up**—same as rise

Laying Out One-Shot 90° Bends

1. Measure the length of the required stub.
2. Find the Minimum Stub Length on Table 2: Deduct, Stub Dimensions, and Minimum Distance from End of Conduit. The stub you require must be equal to or longer than the minimum stub length.
3. Measure and mark the stub length on the conduit. This is Mark 1.
4. Find the Deduct on Table 2. Subtract the Deduct from Mark 1 and make a new mark. This is Mark 2, or the bending mark. Find the Minimum Distance from End of Conduit in Table 2; be sure that Mark 2 is at least this distance from the end of the conduit.
5. Align Mark 2 with the outside edge of the saddle. Bend the conduit—see the instructions under “Assembly and Operation Instructions.”

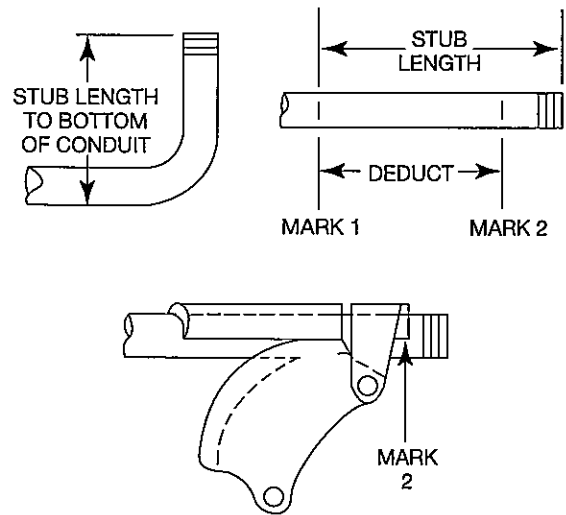


Table 2—Deduct, Stub Dimensions, and Minimum Distance from End of Conduit

CONDUIT SIZE →	2-1/2	3	3-1/2	4
EMT				
Deduct	21-1/2	24	27-3/4	32-1/4
Minimum Stub Length	24	27	31-1/4	36-1/4
Minimum Distance from End of Conduit	2-1/2	3	3-1/2	4
IMC-RIGID				
Deduct	21-1/2	24-1/4	28-1/4	32-1/2
Minimum Stub Length	24	26-3/4	30-3/4	35
Minimum Distance from End of Conduit	2-1/2	2-1/2	2-1/2	2-1/2

Table 3—Ram Travel

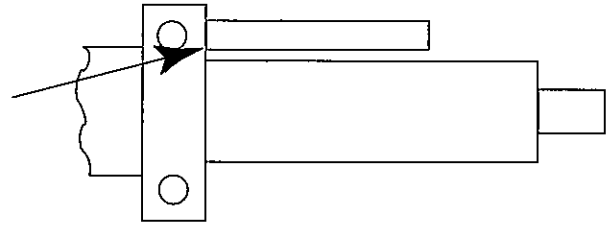
(Figures are approximate)

Ram Travel: Read scale at edge of block.

Note: Ram scale must be set on zero.

Note: Calibrate Bender Before Bending:

Snug up bender by advancing ram until shoe, conduit and follow bar are snug. (Do not squeeze or begin to bend.) Stop pump. Compare reading on scale with appropriate Snug-Up 0° column on ram travel charts. Note variance if any. Incorporate this variance in ram travel measurements used for bending the same size and type of conduit.



Degree of Bend	EMT					
	2-1/2 (90°)	3 (90°)	3-1/2 (90°)	4 (90°)	3-1/2 (45°)	4 (45°)
Snug-Up 0°	4-3/16	3-7/8	3-1/8	2-3/8	5	3-9/16
10°	5	4-15/16	4-1/8	3-1/4	6-5/8	5-1/8
15°	5-1/4	5-5/16	4-1/2	3-3/4	7-1/8	5-1/2
30°	6-3/16	6-5/16	5-1/2	4-13/16	8-13/16	6-3/8
45°	7-1/8	7-5/16	6-1/2	6	10-1/4	7-3/4
60°	8	8-3/8	7-1/2	7-1/4	See Table 4	See Table 4
90°	9-1/2	10-3/8	9-13/16	9-5/8	See Table 4	See Table 4

Degree of Bend	IMC					
	2-1/2 (90°)	3 (90°)	3-1/2 (90°)	4 (90°)	3-1/2 (45°)	4 (45°)
Snug-Up 0°	2-7/8	2-1/4	2-1/16	1-7/16	5	2-3/8
10°	4	3-5/8	3-1/8	2-5/8	6-5/8	4-5/16
15°	4-7/16	4-1/16	3-9/16	3-1/4	7-1/8	4-15/16
30°	5-3/4	5-3/8	5-1/16	4-5/8	8-13/16	6-5/8
45°	7-3/16	6-15/16	6-7/16	6-1/4	10-1/4	8-1/2
60°	8-11/16	8-7/16	7-7/8	7-7/8	See Table 4	See Table 4
90°	11	11-5/8	10-7/8	11-1/8	See Table 4	See Table 4

Degree of Bend	RIGID					
	2-1/2 (90°)	3 (90°)	3-1/2 (90°)	4 (90°)	3-1/2 (45°)	4 (45°)
Snug-Up 0°	2-7/8	2-1/4	2	1-5/16	4-5/8	2-1/8
10°	3-15/16	3-5/8	3	2-3/8	6-3/8	4-1/16
15°	4-3/8	4-1/16	3-1/2	3	6-13/16	4-3/4
30°	5-3/4	5-3/8	4-7/8	4-1/2	8-1/2	6-1/2
45°	7-1/8	6-15/16	6-1/4	6-1/8	10-1/8	8-1/4
60°	8-1/2	8-7/16	7-3/4	7-3/4	See Table 4	See Table 4
90°	11	11-5/8	10-3/4	11	See Table 4	See Table 4

Table 4—Laying Out Two-Shot 90° Bends for 3-1/2" and 4" Conduit (881 Only)

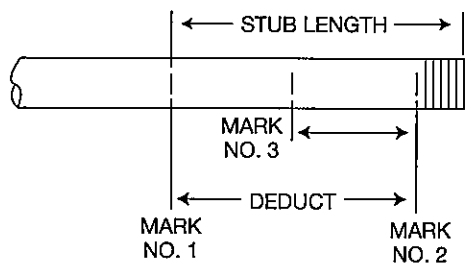
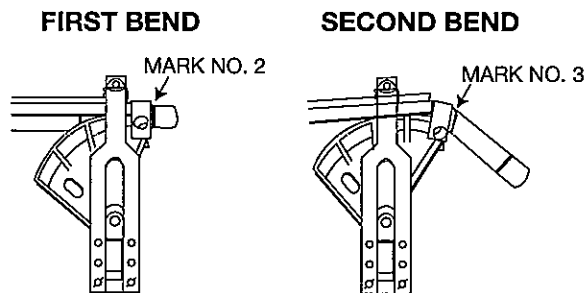
1. Measure the length of the required stub.
2. Find the Minimum Stub Length on Table 2: Deduct, Stub Dimensions, and Minimum Distance from End of Conduit. The stub you require must be equal to or longer than the minimum stub length.
3. Measure and mark the stub length on the conduit. This is Mark 1.
4. Find the Deduct on Table 2. Subtract the Deduct from Mark 1 and make a new mark. This is Mark 2, or the first bending mark. Find the Minimum Distance from End of Conduit in Table 2; be sure that Mark 2 is at least this distance from the end of the conduit.
5. Measure and make Mark 3, or the second bending mark:
 - For 3-1/2" conduit, Mark 3 must be 14-1/2" from Mark 2.
 - For 4" conduit, Mark 3 must be 15-1/2" from Mark 2.
6. Refer to the tables and "First Bend" figure on this page. Using the suggested amount of ram travel, align Mark 2 with the outside edge of the saddle and bend the conduit.
7. Align Mark 3 with the outside of the saddle.

Note: A portion of the previous bend will fall inside the shoe.
8. Bend the conduit until the 90° bend is complete.

EMT	CONDUIT SIZE	FIRST BEND	90°
RAM TRAVEL	3-1/2	10-3/16	9-3/4
	4	8-3/16	8-3/16

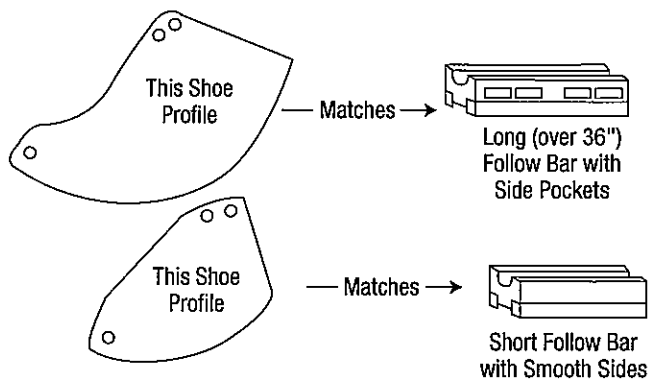
IMC	CONDUIT SIZE	FIRST BEND	90°
RAM TRAVEL	3-1/2	11-1/4	10-11/16
	4	9	9-1/16

RIGID	CONDUIT SIZE	FIRST BEND	90°
RAM TRAVEL	3-1/2	11-1/8	10-1/2
	4	8-5/16	8-7/8



IMPORTANT

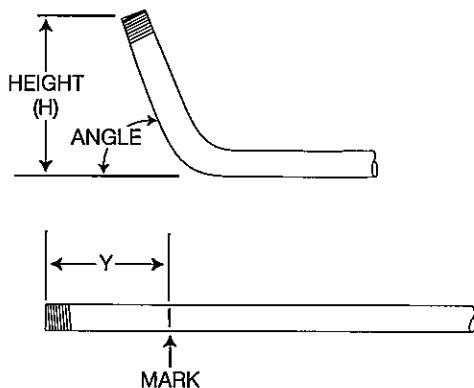
The 45° two-shot shoes and follow bars are not interchangeable with the 90° one-shot shoes and follow bars. See Illustration below.



Laying Out Bends

The following drawings and bending charts are intended to provide the information necessary to accomplish the most common types of bends. The "Special Bending Information Chart" contains precise measurements for the most commonly needed bends.

Stubs



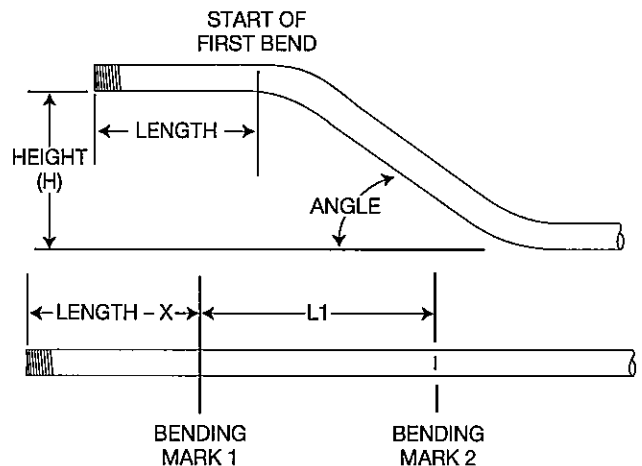
1. Select the size and type of conduit. Determine the height of stub and the angle of bend.
2. Find the chart that corresponds to the size and type of conduit selected in Step 1.
3. Under the column labeled ANGLE, find the angle of bend.
4. Find the row labeled Y. In the row at the top of the page, find the height (H) of the stub.
5. The number shown at the intersection of row Y and the appropriate H column is the distance Y. Place the bending mark Y inches from the end of the conduit.
6. Bend the conduit.

Offsets

An offset is used to route the conduit around an obstruction. To make an offset, two equal bends are required. The distance between the two bends is the center-to-center distance. This is represented by L1 in the bending tables.

When working past an obstruction, it is necessary to determine the location of the first bend. The center-to-center distance is then used to find the location of the second bend. See "Offsets: Working Past an Obstruction." When working toward an obstruction, it is necessary to determine the location of the second bend. The center-to-center distance is then used to find the location of the first bend. See "Offsets: Working Toward an Obstruction."

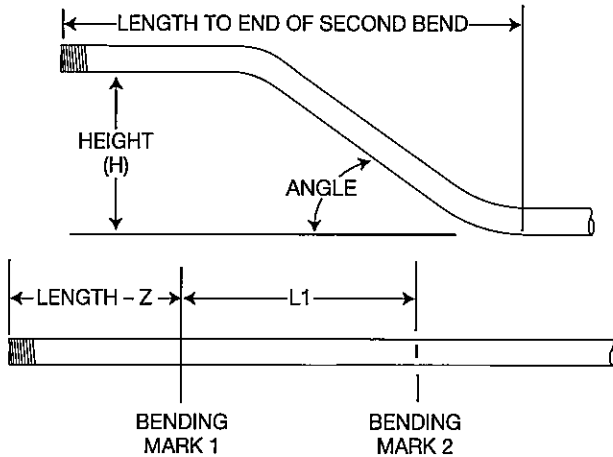
Offsets: Working Past an Obstruction



1. Select the size and type of conduit. Measure the height of the obstruction and the distance labeled LENGTH. Select the angle to be used.
2. Find the chart that corresponds to the size and type of conduit selected in Step 1.
3. To the right of the size and type of conduit, find the dimension labeled X. Subtract X from LENGTH. Place the first bending mark this distance from the end of the conduit.
4. Under the column labeled ANGLE, find the angle of bend. Find the row labeled L1. In the row at the top of the page, find the height (H) of the offset.
5. The number shown at the intersection of row L1 and the appropriate H column is L1. Place the second bending mark L1 inches from the first bending mark.
6. Bend the conduit.

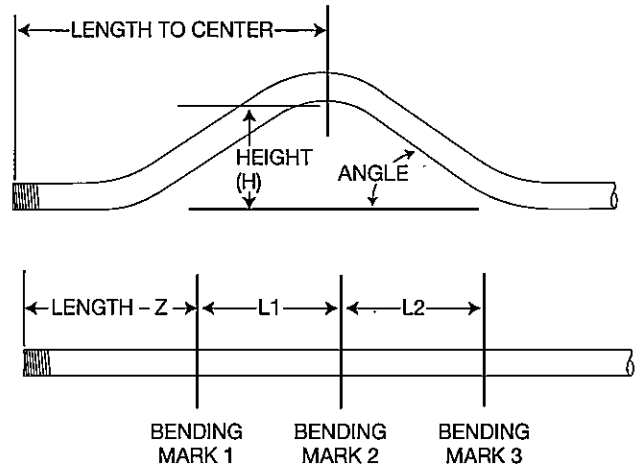
Laying Out Bends (cont'd)

Offsets: Working Toward an Obstruction



1. Select the size and type of conduit. Measure the height of the obstruction and the distance labeled LENGTH TO END OF SECOND BEND. Select the angle to be used.
2. Find the chart that corresponds to the size and type of conduit selected in Step 1.
3. Under the column labeled ANGLE, find the angle of bend. Find the row labeled Z. In the row at the top of the page, find the height (H) of the offset.
4. The number shown at the intersection of the Z row and the appropriate H column is Z. Subtract Z from LENGTH TO THE END OF SECOND BEND. Place the first bending mark this distance from the end of the conduit.
5. In the same column, find the row labeled L1. Place the second bending mark L1 inches from the first bending mark.
6. Bend the conduit.

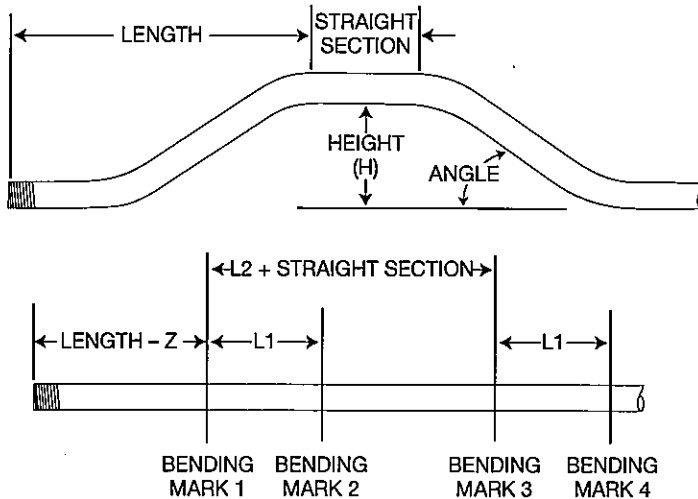
Three-Bend Saddle



1. Select the size and type of conduit. Measure the height of the obstruction and the distance from the end of the conduit to the center (LENGTH TO CENTER) of the bend. Select the angle to be used.
Note: The second bend angle will be twice the number of degrees as the first and third bends.
2. Find the chart that corresponds to the size and type of conduit selected in Step 1.
3. Under the column labeled ANGLE, find the angle of bend needed. Find the row labeled Z. In the row at the top of the page, find the height (H) of the offset.
4. The number shown at the intersection of the Z row and the appropriate H column is Z. Subtract Z from the LENGTH TO CENTER. Place the first bending mark this distance from the end of the conduit.
5. In the same column, find the row labeled L1. Place the second bending mark L1 inches from the first bending mark.
6. In the same column, find the row labeled L2. Place the third bending mark L2 inches from the second bending mark.
7. Bend the conduit.

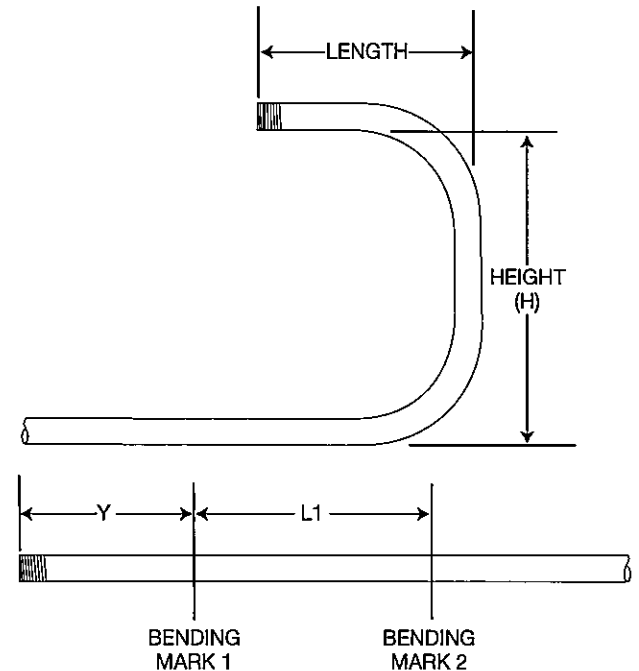
Laying Out Bends (cont'd)

Four-Bend Saddle



1. Select the size and type of conduit. Measure the height of the obstruction, the distance labeled LENGTH, and the distance labeled STRAIGHT SECTION. Select the angle to be used.
2. Find the chart that corresponds to the size and type of conduit selected in Step 1.
3. Under the column labeled ANGLE, find the angle of bend needed. Find the row labeled Z. In the row at the top of the page, find the height (H) of the offset.
4. The number shown is Z. Subtract Z from the LENGTH. Place the first bending mark this distance from the end of the conduit.
5. In the same column, find the row labeled L1. Place the second bending mark L1 inches from the first bending mark.
6. In the same column, find the row labeled L2. Add L2 to the STRAIGHT SECTION. Place the third bending mark this distance from the first bending mark.
7. Make the final bending mark L1 inches from the third bending mark.
8. Bend the conduit.

U-Bends



1. Select the size and type of conduit. Determine the LENGTH and the HEIGHT.
2. Find the chart that corresponds to the size and type of conduit selected in Step 1.
3. Under the column labeled ANGLE, find 90°.
4. Find the row labeled Y. In the row at the top of the page, find the height (H) that corresponds to the LENGTH.
5. The number shown at the intersection of the Y row and the appropriate H column is the distance Y. Place the bending mark Y inches from the end of the conduit.
6. Find the row labeled L1, and go to the right to find the height (H) that corresponds to the HEIGHT.
7. The number shown at the intersection of the L1 row and the appropriate H column is L1. Place the second bending mark L1 inches from the first mark.
8. Bend the conduit.

Special Bending Information Chart

		HEIGHT - H										
DIM.	ANGLE	10"	12"	15"	18"	24"	30"	36"	42"	48"	60"	
2-1/2 EMT		Dia. = 2.875		Radius = 13.9		x = 6.15						
Y	15.00	25.10	32.83	44.42	56.01	79.19	102.38	125.56	148.74	171.92	218.29	
L1	15.00	38.62	46.34	57.93	69.53	92.71	115.89	139.07	162.25	185.44	231.80	
L2	15.00	42.26	49.98	61.57	73.16	96.35	119.53	142.71	165.89	189.08	235.44	
Z	15.00	47.13	54.59	65.79	76.99	99.38	121.77	144.16	166.56	188.95	233.73	
MINIMUM H = 2.54												
Y	22.50	13.46	18.69	26.53	34.37	50.04	65.72	81.40	97.08	112.76	144.12	
L1	22.50	26.06	31.29	39.13	46.97	62.64	78.32	94.00	109.68	125.36	156.72	
L2	22.50	31.52	36.74	44.58	52.42	68.10	83.78	99.46	115.14	130.82	162.17	
Z	22.50	35.82	40.65	47.89	55.14	69.62	84.11	98.59	113.08	127.56	156.53	
MINIMUM H = 4.47												
Y	30.00	7.25	11.25	17.25	23.25	35.25	47.25	59.25	71.25	83.25	107.25	
L1	30.00	19.83	23.83	29.83	35.83	47.83	59.83	71.83	83.83	95.83	119.83	
L2	30.00	27.11	31.11	37.11	43.11	55.11	67.11	79.11	91.11	103.11	127.11	
Z	30.00	30.92	34.38	39.58	44.78	55.17	65.56	75.95	86.35	96.74	117.52	
MINIMUM H = 6.80												
Y	45.00		3.03	7.27	11.52	20.00	28.49	36.97	45.46	53.94	70.91	
L1	45.00		16.37	20.62	24.86	33.34	41.83	50.31	58.80	67.28	84.25	
L2	45.00		27.29	31.53	35.77	44.26	52.75	61.23	69.72	78.20	95.17	
Z	45.00		29.67	32.67	35.67	41.67	47.67	53.67	56.67	65.67	77.67	
MINIMUM H = 12.49												
Y	60.00			1.49	4.95	11.88	18.81	25.73	32.66	39.59	53.45	
L1	60.00					26.22	33.15	40.07	47.00	53.93	67.79	
L2	60.00					40.77	47.70	54.63	61.56	68.49	82.34	
Z	60.00					36.06	39.52	42.98	46.45	49.91	56.84	
MINIMUM H = 19.23												
Y	90.00					2.51	8.51	14.51	20.51	26.51	38.51	
L1	90.00							30.03	36.03	42.03	54.03	
L2	90.00							51.87	57.87	63.87	75.87	
Z	90.00							33.95	33.95	33.95	33.95	
MINIMUM H = 33.95												
3 EMT		Dia. = 3.5		Radius = 16.48		x = 5.77						
Y	15.00	23.94	31.66	43.25	54.85	78.03	101.21	124.39	147.57	170.76	217.12	
L1	15.00	38.61	46.34	57.93	69.52	92.70	115.89	139.07	162.25	185.43	231.80	
L2	15.00	42.93	50.65	62.25	73.84	97.02	120.20	143.38	166.57	189.75	236.11	
Z	15.00	47.43	54.89	66.09	77.29	99.68	122.07	144.46	166.86	189.25	234.03	
MINIMUM H = 2.62												
Y	22.50	12.51	17.74	25.58	33.42	49.09	64.77	80.45	96.13	111.81	143.17	
L1	22.50	26.05	31.27	39.11	46.95	62.63	78.31	93.99	109.67	125.35	156.70	
L2	22.50	32.52	37.74	45.58	53.42	69.10	84.78	100.46	116.14	131.82	163.17	
Z	22.50	36.47	41.30	48.54	55.78	70.27	84.75	99.24	113.72	128.21	157.18	
MINIMUM H = 4.72												
Y	30.00	6.31	10.31	16.31	22.31	34.31	46.31	58.31	70.31	82.31	106.31	
L1	30.00	19.80	23.80	29.80	35.80	47.80	59.80	71.80	83.80	95.80	119.80	
L2	30.00	28.43	32.43	38.43	44.43	56.43	68.43	80.43	92.43	104.43	128.43	
Z	30.00	31.92	35.39	40.58	45.78	56.17	66.56	76.96	87.35	97.74	118.52	
MINIMUM H = 7.30												
Y	45.00		1.90	6.14	10.38	18.87	27.36	35.84	44.33	52.81	69.78	
L1	45.00			20.50	24.75	33.23	41.72	50.20	58.69	67.17	84.14	
L2	45.00			33.45	37.69	46.18	54.66	63.15	71.63	80.12	97.09	
Z	45.00			34.42	37.42	43.42	49.42	55.42	61.42	67.42	79.42	
MINIMUM H = 13.73												
Y	60.00			0.02	3.48	10.41	17.34	24.26	31.19	38.12	51.98	
L1	60.00					25.94	32.87	39.80	46.73	53.65	67.51	
L2	60.00					43.20	50.13	57.06	63.98	70.91	84.77	
Z	60.00					38.66	42.12	45.58	49.05	52.51	59.44	
MINIMUM H = 21.48												
Y	90.00					0.00	6.00	12.00	18.00	24.00	36.00	
L1	90.00								34.93	40.93	52.93	
L2	90.00								60.81	66.81	78.81	
Z	90.00								38.73	38.73	38.73	
MINIMUM H = 38.73												

Special Bending Information Chart (cont'd)

		HEIGHT - H										
DIM.	ANGLE	10"	12"	15"	18"	24"	30"	36"	42"	48"	60"	
3-1/2 EMT		Dia. = 4		Radius = 19.18		x = 6.56						
Y	15.00	21.82	29.55	41.14	52.73	75.92	99.10	122.28	145.46	168.65	215.01	
L1	15.00	38.61	46.34	57.93	69.52	92.70	115.88	139.06	165.25	185.43	231.79	
L2	15.00	43.63	51.36	62.95	74.54	97.72	120.90	144.09	167.27	190.45	236.81	
Z	15.00	48.93	56.39	67.59	78.79	101.18	123.57	145.96	168.36	190.75	235.53	
MINIMUM H = 3.00												
Y	22.50	10.53	15.76	23.60	31.43	47.11	62.79	78.47	94.15	109.83	141.19	
L1	22.50	26.03	31.26	39.10	46.94	62.62	78.30	93.97	109.65	125.33	156.69	
L2	22.50	33.56	38.79	46.63	54.47	70.15	85.83	101.51	117.18	132.86	164.22	
Z	22.50	38.33	43.16	50.40	57.65	72.13	86.62	101.10	115.59	130.37	159.04	
MINIMUM H = 5.43												
Y	30.00	4.30	8.30	14.30	20.30	32.30	44.30	56.30	68.30	80.30	104.30	
L1	30.00	19.76	23.76	29.76	35.76	47.76	59.76	71.76	83.76	95.76	119.76	
L2	30.00	29.81	33.81	39.81	45.81	57.81	69.81	81.81	93.81	105.81	129.81	
Z	30.00	34.16	37.62	42.82	48.02	58.41	68.80	79.19	89.58	99.98	120.76	
MINIMUM H = 8.42												
Y	45.00			3.88	8.12	16.61	25.09	33.58	42.06	50.55	67.52	
L1	45.00				24.63	33.12	41.60	50.09	58.57	67.06	84.03	
L2	45.00				39.69	48.18	56.67	65.15	73.64	82.12	99.09	
Z	45.00				40.45	46.45	52.45	58.45	64.45	70.45	82.45	
MINIMUM H = 15.87												
Y	60.00				0.84	7.77	14.7	21.63	28.55	35.48	49.34	
L1	60.00						32.58	39.51	46.44	53.36	67.22	
L2	60.00						52.66	59.59	66.52	73.45	87.31	
Z	60.00						46.03	49.49	52.96	56.42	63.35	
MINIMUM H = 24.86												
Y	90.00						2.26	8.26	14.26	20.26	32.26	
L1	90.00									39.77	51.77	
L2	90.00									69.90	81.90	
Z	90.00									44.92	44.92	
MINIMUM H = 44.92												
4 EMT		Dia. = 4.5		Radius = 21.5		x = 8.5						
Y	15.00	18.61	26.34	37.93	49.52	72.71	95.89	119.07	142.25	165.43	211.80	
L1	15.00	38.60	46.33	57.92	69.51	92.70	115.88	139.06	162.24	185.43	231.79	
L2	15.00	44.23	51.96	63.55	75.14	98.33	121.51	144.69	167.87	191.05	237.42	
Z	15.00	51.48	58.95	70.14	81.34	103.73	126.12	148.51	170.91	193.30	238.08	
MINIMUM H = 3.67												
Y	22.50	7.48	12.70	20.54	28.38	44.06	59.74	75.42	91.10	106.77	138.13	
L1	22.50	26.02	31.25	39.09	46.93	62.60	78.28	93.96	109.64	125.32	156.68	
L2	22.50	34.46	39.69	47.53	55.37	71.05	86.73	102.41	118.08	133.76	165.12	
Z	22.50	41.20	46.02	53.27	60.51	74.99	89.48	103.96	118.45	132.94	161.91	
MINIMUM H = 6.53												
Y	30.00	1.24	5.24	11.24	17.24	29.24	41.24	53.24	65.24	77.24	101.24	
L1	30.00	19.74	23.74	29.74	35.74	47.74	59.74	71.74	83.74	95.74	119.74	
L2	30.00	30.99	34.99	40.99	46.99	58.99	70.99	82.99	94.99	106.99	130.99	
Z	30.00	37.34	40.81	46.00	51.20	61.59	71.98	82.38	92.77	103.16	123.94	
MINIMUM H = 10.01												
Y	45.00			0.63	4.87	13.35	21.84	30.32	38.81	47.29	64.27	
L1	45.00					33.02	41.50	49.99	58.47	66.96	83.93	
L2	45.00					49.90	58.39	66.87	75.36	83.84	100.81	
Z	45.00					50.31	56.31	62.31	68.31	74.31	86.31	
MINIMUM H = 18.60												
Y	60.00					4.20	11.13	18.06	24.99	31.91	45.77	
L1	60.00						32.33	39.26	46.19	53.11	66.97	
L2	60.00						54.84	61.77	68.70	75.63	89.49	
Z	60.00						50.65	54.11	57.57	61.04	67.97	
MINIMUM H = 28.86												
Y	90.00							3.75	9.75	15.75	27.75	
L1	90.00										50.77	
L2	90.00										84.54	
Z	90.00										51.50	
MINIMUM H = 51.5												

Special Bending Information Chart (cont'd)

		HEIGHT - H										
DIM.	ANGLE	10"	12"	15"	18"	24"	30"	36"	42"	48"	60"	
2-1/2 IMC/RIGID		Dia. = 2.875		Radius = 13.9		x = 6.15						
	Y	15.00	25.10	32.83	44.42	56.01	79.19	102.38	125.56	148.74	171.92	218.29
	L1	15.00	38.62	46.34	57.93	69.53	92.71	115.89	139.07	162.25	185.44	231.80
	L2	15.00	42.26	49.98	61.57	73.16	96.35	119.53	142.71	165.89	189.08	235.44
	Z	15.00	47.13	54.59	65.79	76.99	99.38	121.77	144.16	166.56	188.95	233.73
MINIMUM H = 2.54												
	Y	22.50	13.46	18.69	26.53	34.37	50.04	65.72	81.40	97.08	112.76	144.12
	L1	22.50	26.06	31.29	39.13	46.97	62.64	78.32	94.00	109.68	125.36	156.72
	L2	22.50	31.52	36.74	44.58	52.42	68.10	83.78	99.46	115.14	130.82	162.17
	Z	22.50	35.82	40.65	47.89	55.14	69.62	84.11	98.59	113.08	127.56	156.53
MINIMUM H = 4.47												
	Y	30.00	7.25	11.25	17.25	23.25	35.25	47.25	59.25	71.25	83.25	107.25
	L1	30.00	19.83	23.83	29.83	35.83	47.83	59.83	71.83	83.83	95.83	119.83
	L2	30.00	27.11	31.11	37.11	43.11	55.11	67.11	79.11	91.11	103.11	127.11
	Z	30.00	30.92	34.38	39.58	44.78	55.17	65.56	75.95	86.35	96.74	117.52
MINIMUM H = 6.80												
	Y	45.00	0.20	3.03	7.27	11.52	20.00	28.49	36.97	45.46	53.94	70.91
	L1	45.00			20.62	24.86	33.34	41.83	50.31	58.80	67.28	84.25
	L2	45.00			31.53	35.77	44.26	52.75	61.23	69.72	78.20	95.17
	Z	45.00			32.67	35.67	41.67	47.67	53.67	59.67	65.67	77.67
MINIMUM H = 12.49												
	Y	60.00			1.49	4.95	11.88	18.81	25.73	32.66	39.59	53.45
	L1	60.00					26.22	33.15	40.07	47.00	53.93	67.79
	L2	60.00					40.77	47.70	54.63	61.56	68.49	82.34
	Z	60.00					36.06	39.52	42.98	46.45	49.91	56.84
MINIMUM H = 19.23												
	Y	90.00					2.51	8.51	14.51	20.51	26.51	38.51
	L1	90.00							30.03	36.03	42.03	54.03
	L2	90.00							51.87	57.87	63.87	75.87
	Z	90.00							33.95	33.95	33.95	33.95
MINIMUM H = 33.95												
3 IMC/RIGID		Dia. = 3.5		Radius = 16.48		x = 6						
	Y	15.00	23.71	31.43	43.02	54.62	77.80	100.98	124.16	147.34	170.53	216.89
	L1	15.00	38.61	46.34	57.93	69.53	92.70	115.89	139.07	162.25	185.43	231.80
	L2	15.00	42.93	50.65	62.25	73.84	97.02	120.20	143.38	166.57	189.75	236.11
	Z	15.00	47.66	55.12	66.32	77.52	99.91	122.30	144.69	167.09	189.48	234.26
MINIMUM H = 2.68												
	Y	22.50	12.28	17.51	25.35	33.19	48.86	64.54	80.22	95.90	111.58	142.94
	L1	22.50	26.05	31.27	39.11	46.95	62.63	78.31	93.99	109.67	125.35	156.70
	L2	22.50	32.52	37.74	45.58	53.42	69.10	84.78	100.46	116.14	131.82	163.17
	Z	22.50	36.70	41.53	48.77	56.01	70.50	84.98	99.47	113.95	128.44	157.41
MINIMUM H = 4.81												
	Y	30.00	6.08	10.08	16.08	22.08	34.08	46.08	58.08	70.08	82.08	106.08
	L1	30.00	19.80	23.80	29.80	35.80	47.80	59.80	71.80	83.80	95.80	119.80
	L2	30.00	28.43	32.43	38.43	44.43	56.43	68.43	80.43	92.43	104.43	128.43
	Z	30.00	32.15	35.62	40.81	46.01	56.40	66.79	77.19	87.58	97.97	118.75
MINIMUM H = 7.42												
	Y	45.00		1.67	5.91	10.15	18.64	27.13	35.61	44.10	52.58	69.55
	L1	45.00			20.50	24.75	33.23	41.72	50.20	58.69	67.17	84.14
	L2	45.00			33.45	37.69	46.18	54.66	63.15	71.63	80.12	97.09
	Z	45.00			34.65	37.65	43.65	49.65	55.65	61.65	67.65	79.65
MINIMUM H = 13.90												
	Y	60.00				3.25	10.18	17.11	24.03	30.96	37.89	51.75
	L1	60.00					25.94	32.87	39.80	46.73	53.65	67.51
	L2	60.00					43.20	50.13	57.06	63.98	70.91	84.77
	Z	60.00					38.89	42.35	45.81	49.28	52.74	59.67
MINIMUM H = 21.68												
	Y	90.00						5.77	11.77	17.77	23.77	35.77
	L1	90.00								34.93	40.93	52.93
	L2	90.00								60.81	66.81	78.81
	Z	90.00								38.96	38.96	38.96
MINIMUM H = 38.96												

Special Bending Information Chart (cont'd)

		HEIGHT - H										
DIM.	ANGLE	10"	12"	15"	18"	24"	30"	36"	42"	48"	60"	
3-1/2 IMC/RIGID		Dia. = 4		Radius = 19.18		x = 7						
	Y	15.00	21.38	29.11	40.70	52.29	75.48	98.66	121.84	145.02	168.21	214.57
	L1	15.00	38.61	46.34	57.93	69.52	92.70	115.88	139.06	162.25	185.43	231.79
	L2	15.00	43.63	51.36	62.95	74.54	97.72	120.90	144.09	167.27	190.45	236.81
	Z	15.00	49.37	56.83	68.03	79.23	101.62	124.01	146.40	168.80	191.19	235.97
MINIMUM H = 3.12												
	Y	22.50	10.09	15.32	23.16	30.99	46.67	62.35	78.03	93.71	109.39	140.75
	L1	22.50	26.03	31.26	39.10	46.94	62.62	78.30	93.97	109.65	125.33	156.69
	L2	22.50	33.56	38.79	46.63	54.47	70.15	85.83	101.51	117.18	132.86	164.22
	Z	22.50	38.77	43.60	50.84	58.09	72.57	87.06	101.54	116.03	130.51	159.48
MINIMUM H = 5.60												
	Y	30.00	3.86	7.86	13.86	19.86	31.86	43.86	55.86	67.86	79.86	103.86
	L1	30.00	19.76	23.76	29.76	35.76	47.76	59.76	71.76	83.76	95.76	119.76
	L2	30.00	29.91	33.81	39.81	45.81	57.81	69.81	81.81	93.81	105.81	129.81
	Z	30.00	34.60	38.06	43.26	48.46	58.85	69.24	79.63	90.02	100.42	121.20
MINIMUM H = 8.64												
	Y	45.00			3.44	7.68	16.17	24.65	33.14	41.62	50.11	67.08
	L1	45.00				24.63	33.12	41.60	50.09	58.57	67.06	84.03
	L2	45.00				39.69	48.18	56.67	65.15	73.64	82.12	99.09
	Z	45.00				40.89	46.89	52.89	58.89	64.89	70.89	82.89
MINIMUM H = 16.19												
	Y	60.00				0.40	7.33	14.26	21.19	28.11	35.04	48.90
	L1	60.00						32.58	39.51	46.44	53.36	67.22
	L2	60.00						52.66	59.59	66.52	73.45	87.31
	Z	60.00						46.47	49.93	53.40	56.86	63.79
MINIMUM H = 25.24												
	Y	90.00						1.82	7.82	13.82	19.82	31.82
	L1	90.00									39.77	51.77
	L2	90.00									69.90	81.90
	Z	90.00									45.36	45.36
MINIMUM H = 45.36												
4 IMC/RIGID		Dia. = 4.5		Radius = 21.5		x = 8.75						
	Y	15.00	18.36	26.09	37.68	49.27	72.46	95.64	118.82	142.00	165.18	211.55
	L1	15.00	38.60	46.33	57.92	69.51	92.70	115.88	139.06	162.24	185.43	231.79
	L2	15.00	44.23	51.96	63.55	75.14	98.33	121.51	144.69	167.87	191.05	237.42
	Z	15.00	51.73	59.20	70.39	81.59	103.98	126.37	148.76	171.16	193.55	238.33
MINIMUM H = 3.73												
	Y	22.50	7.23	12.45	20.29	28.13	43.81	59.49	75.17	90.85	106.52	137.88
	L1	22.50	26.02	31.25	39.09	46.93	62.60	78.28	93.96	109.64	125.32	156.68
	L2	22.50	34.46	39.69	47.53	55.37	71.05	86.73	102.41	118.08	133.76	165.12
	Z	22.50	41.45	46.27	53.52	60.76	75.24	89.73	104.21	118.70	133.19	162.16
MINIMUM H = 6.62												
	Y	30.00	0.99	4.99	10.99	16.99	28.99	40.99	52.99	64.99	76.99	100.99
	L1	30.00		23.74	29.74	35.74	47.74	59.74	71.74	83.74	95.74	119.74
	L2	30.00		34.99	40.99	46.99	58.99	70.99	82.99	94.99	106.99	130.99
	Z	30.00		41.06	46.25	51.45	61.84	72.23	82.63	93.02	103.41	124.19
MINIMUM H = 10.13591												
	Y	45.00			0.38	4.62	13.10	21.59	30.07	38.56	47.04	64.02
	L1	45.00					33.02	41.50	49.99	58.47	66.96	83.93
	L2	45.00					49.90	58.39	66.87	75.36	83.84	100.81
	Z	45.00					50.56	56.56	62.56	68.56	74.56	86.56
MINIMUM H = 18.78												
	Y	60.00					3.95	10.88	17.81	24.74	31.66	45.52
	L1	60.00						32.33	39.26	46.19	53.11	66.97
	L2	60.00						54.84	61.77	68.70	75.63	89.49
	Z	60.00						50.90	54.36	57.82	61.29	68.22
MINIMUM H = 29.08												
	Y	90.00							3.50	9.50	15.50	27.50
	L1	90.00										50.77
	L2	90.00										84.54
	Z	90.00										51.75
MINIMUM H = 51.75												

Troubleshooting

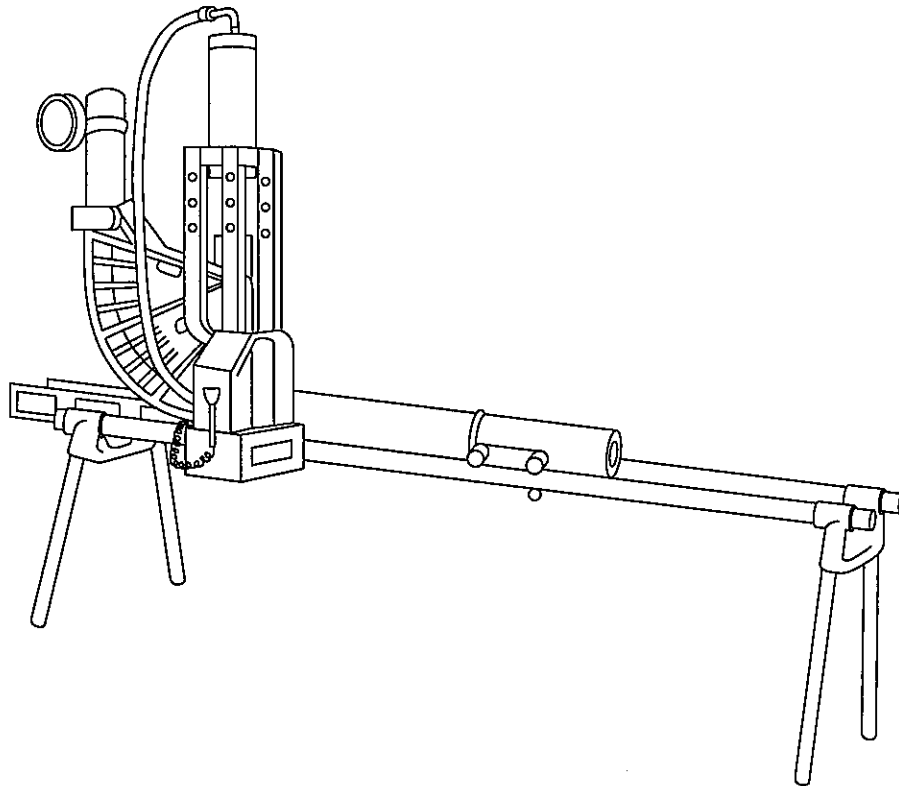
Problem	Probable Cause	Probable Remedy
Wrinkling of EMT.	Shoe pin is in wrong position.	Move shoe pin to hole marked EMT.
	Follow bar is in backwards.	Remove follow bar and insert end marked START toward saddle.
	Contact surfaces between shoe and follow bar have debris or damage.	Clean shoe and follow bar. Replace shoe or follow bar as necessary.
	Follow bar is not positioned within 1" of saddle at start of bend.	Position follow bar according to the bending instructions.
	Follow bar is not centered on roller at start of bend.	Center the follow bar on the roller.
	Shoe or follow bar grooves are worn or spread.	Replace shoe or follow bar.
	Roller is not rolling on shaft.	Lubricate roller.
	High yield strength conduit.	Use standard EMT.
Side creasing of EMT.	Follow bar is not centered on roller at start of bend.	Center the follow bar on the roller.
	Conduit is not level (when bending on the floor).	Level the conduit.
	Contact surfaces between shoe and follow bar have debris or damage.	Clean shoe and follow bar. Replace shoe or follow bar as necessary.
	Pipe vise unit of 1813 is clamped too close to bender.	Move the pipe vise unit further from the bender.
	Follow bar groove is worn or spread.	Replace follow bar.
Will not bend EMT.	Follow bar is in backwards.	Remove follow bar and insert end marked START toward saddle.
Wrinkling of IMC or rigid.	Follow bar is in backwards.	Remove follow bar and insert end marked START toward saddle.
Side creasing of IMC or rigid.	Conduit is not level (when bending on the floor).	Level the conduit.
	Follow bar is not centered on roller at start of bend.	Center the follow bar on the roller.
Will not bend IMC or rigid.	Shoe pin is in wrong position.	Move shoe pin to hole marked IMC/RIGID.
	Follow bar is in backwards.	Remove follow bar and insert end marked START toward saddle.
Ram will not advance.	Pump does not have enough oil.	Add oil. Refer to instructions supplied with the pump.
	Pump vent is closed.	Open the pump vent.
	Hose couplings are not fully tightened.	Tighten the hose couplings.
	Excessive voltage drop from long extension cord.	Use a shorter or heavier extension cord.

MANUAL DE INSTRUCCIONES



GREENLEE®

A Textron Company



Dobladoras hidráulicas 881 y 881CT Cam Track® y Banco de dobladora 1813



Lea y entienda todas las instrucciones y la información sobre seguridad que aparecen en este manual, antes de manejar esta herramienta o darle mantenimiento.

Registre este producto en www.greenlee.com

Índice

Descripción	34
Acerca de la seguridad.....	34
Propósito de este manual	34
Información importante sobre seguridad	35-36
Identificación – Componentes principales	37
Instrucciones de ensamblaje y operación.....	38-52
Operación en piso de los modelos 881 y 881CT	38-41
881 y 881CT con banco de dobladora 1813.....	42-52
Glosario de términos de doblado.....	53
Cómo realizar un doblado de 90° en un solo lance.....	54
Tabla 2 – Deducción, dimensiones del codo y distancia mínima desde el extremo del tubo portacables	54
Tabla 3 – Carrera del pistón.....	55
Tabla 4 – Cómo realizar un doblado de 90° en dos lances para tubo portacables de 89 mm (3-1/2 pulgadas) y 102 mm (4 pulgadas) (881 solamente)	56
Cómo realizar dobleces.....	57-59
Codos	57
Desviaciones.....	57-58
Sillas	58-59
Dobleces en U	59
Tabla de información sobre dobles especiales.....	60-63
Solución de problemas	64
Ilustraciones y listas de piezas.....	97-104

Descripción

Las dobladoras hidráulicas Cam Track® modelos 881 y 881CT están destinadas para doblar tubos portacables rígidos, IMC (tubos portacables metálicos intermedios), EMT (tubos portacables metálicos eléctricos), y tubería 40. Las zapatas de doblado, las barras seguidoras y las sillas están disponibles para doblar tubos portacables o tuberías de 2-1/2 pulgadas hasta 4 pulgadas.

La dobladora deberá acoplarse a cualquier bomba hidráulica Greenlee con capacidad para desarrollar 689 bar (10.000 psi) con un volumen utilizable de aceite de 5,7 l (6 cuartos de galón) o más. Entre las bombas sugeridas se incluyen los modelos siguientes:

- Bomba eléctrica (120 voltios): 960 SAPS, 980
- Bomba eléctrica (220 voltios): 980-22FS, 980-22PS

Acerca de la seguridad

Es fundamental observar métodos seguros al utilizar y dar mantenimiento a las herramientas y equipo Greenlee. Este manual de instrucciones y todas las marcas que ostenta la herramienta le ofrecen la información necesaria para evitar riesgos y hábitos poco seguros relacionados con su uso. Siga toda la información sobre seguridad que se proporciona.

Propósito de este manual

Este manual de instrucciones tiene como propósito familiarizar a todos los operadores y al personal de mantenimiento con los procedimientos de manejo y mantenimiento seguros de las Dobladoras hidráulicas Cam Track® 881 y 881CT de Greenlee.

Manténgalo siempre al alcance de todo el personal.

Altre copie di questo manuale sono disponibili gratuitamente su richiesta al sito www.greenlee.com.

Todas las especificaciones son nominales y pueden cambiar cuando se realicen mejoras en el diseño. Greenlee Textron no será responsable por daños que resulten de la aplicación o uso indebidos de sus productos.

Cam Track es una marca registrada de Greenlee Textron Inc.

CONSERVE ESTE MANUAL

IMPORTANTE INFORMACIÓN SOBRE SEGURIDAD



SÍMBOLO DE ALERTA SOBRE SEGURIDAD

Este símbolo se utiliza para indicar un riesgo o práctica poco segura que podría ocasionar lesiones o daños materiales. Cada uno de los siguientes términos denota la gravedad del riesgo. El mensaje que sigue a dichos términos le indica cómo puede evitar o prevenir ese riesgo.

⚠ PELIGRO

Peligros inmediatos que, de no evitarse, OCASIONARÁN graves lesiones o incluso la muerte.

⚠ ADVERTENCIA

Peligros que, de no evitarse, PODRÍAN OCASIONAR graves lesiones o incluso la muerte.

⚠ ATENCIÓN

Peligro o prácticas peligrosas que, de no evitarse, PUEDEN OCASIONAR lesiones o daños materiales.



⚠ ADVERTENCIA

Lea y entienda todas las instrucciones y la información sobre seguridad que aparecen en este manual, antes de manejar esta herramienta o darle mantenimiento.

De no observarse esta advertencia podrían sufrirse graves lesiones o incluso la muerte.

⚠ ADVERTENCIA

Al accionar esta dobladora use solamente zapatas y componentes Greenlee. Las zapatas y componentes de otros fabricantes podrían fallar durante el funcionamiento, y podrían lanzar las partes rotas con gran fuerza.

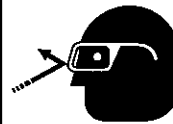
De no observarse esta advertencia podrían sufrirse graves lesiones o incluso la muerte.



⚠ ADVERTENCIA

Puntos de aplastamiento:

Mantenga las manos alejadas de las zapatas de doblado, barra seguidora, silla, tubos portacables y otras piezas en movimiento al utilizar la dobladora. El no alejar las manos de estas áreas podría causar lesiones graves.



⚠ ADVERTENCIA

Al operar la dobladora utilice protectores para ojos.

De no utilizar protectores para ojos podría sufrir graves lesiones oculares ocasionadas si el aceite para aparatos hidráulicos, o restos de materiales llegan a saltar.

IMPORTANTE INFORMACIÓN SOBRE SEGURIDAD**⚠️ ADVERTENCIA**

No opere esta dobladora si lleva puesta vestimenta holgada. La vestimenta holgada podría quedar atrapada en las partes móviles.

De no observarse esta advertencia pueden sufrirse graves lesiones.

⚠️ ATENCIÓN

Revise minuciosamente la dobladora, la bomba y la manguera antes de cada uso. Sustituya las partes dañadas, gastadas o faltantes con piezas de repuesto Greenlee; un componente dañado o gastado puede fallar y golpear al personal circundante.

⚠️ ADVERTENCIA

No se pare en línea recta con el pistón hidráulico. La falla de un componente podría lanzar piezas con gran fuerza y golpear al personal circundante.

De no observarse esta advertencia podrían sufrirse graves lesiones o incluso la muerte.

⚠️ ATENCIÓN

Algunas piezas y accesorios de las dobladoras son pesadas y se necesita más de una persona para levantarlas y montarlas.

De no observarse esta precaución podrían sufrirse graves lesiones o daños materiales.

⚠️ ADVERTENCIA

No se pare en línea recta con la barra seguidora. La falla de un componente podría lanzar la barra seguidora con gran fuerza y golpear al personal circundante.

De no observarse esta advertencia podrían sufrirse graves lesiones o incluso la muerte.

IMPORTANTE

Asegúrese que todos los accesorios de las mangueras estén debidamente asentados antes de comenzar el doblado. Las conexiones incompletas podrían impedir que el pistón se retraiga después de terminar el doblado.

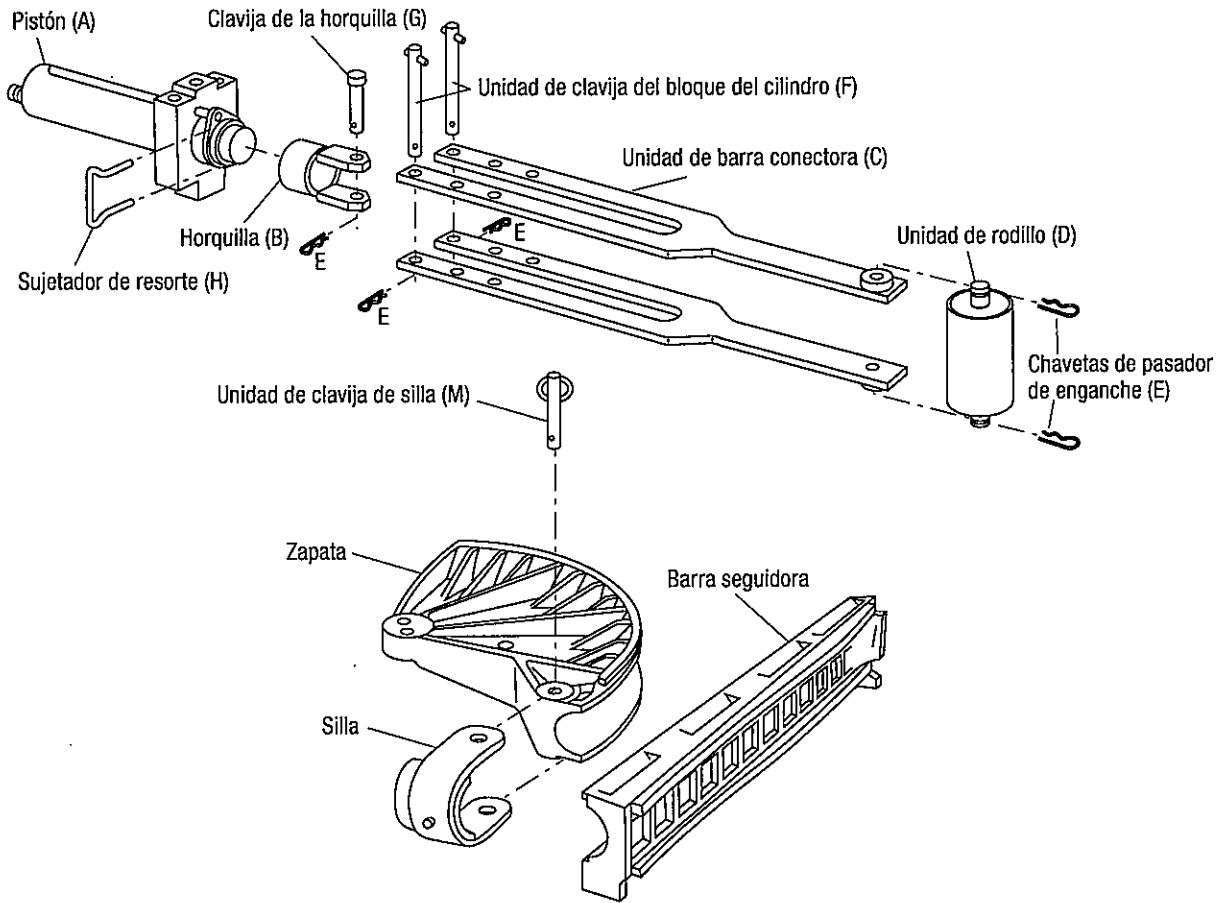
IMPORTANTE

Siga las instrucciones y la información de seguridad suministradas con su bomba hidráulica.

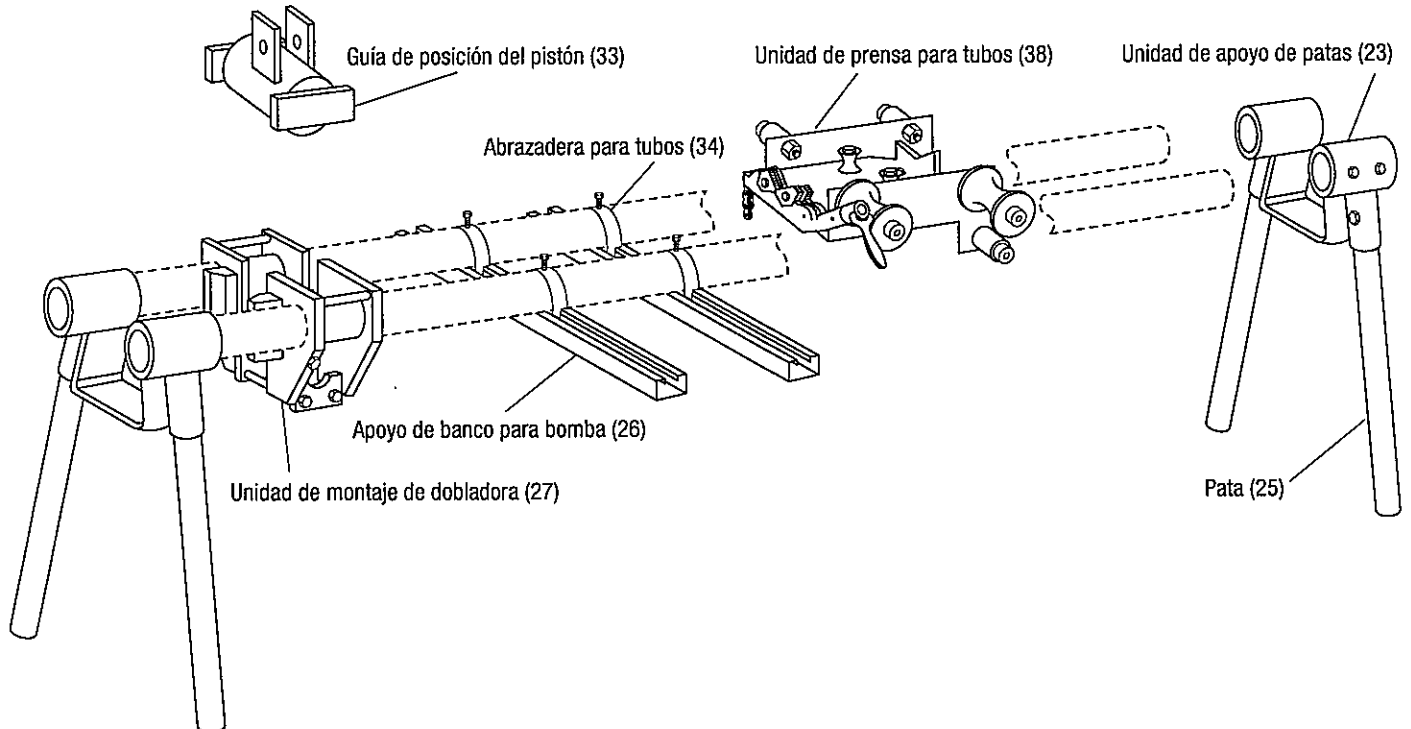
Aviso: Mantenga limpias y legibles todas las calcomanías y reemplácelas cuando sea necesario.

Identificación – Componentes principales

Dobladoras hidráulicas 881 y 881CT

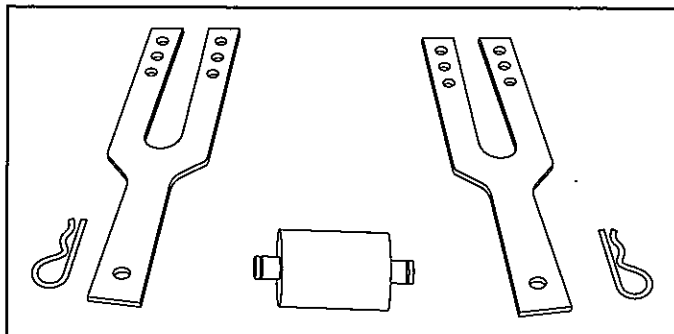


Banco de dobladora 1813

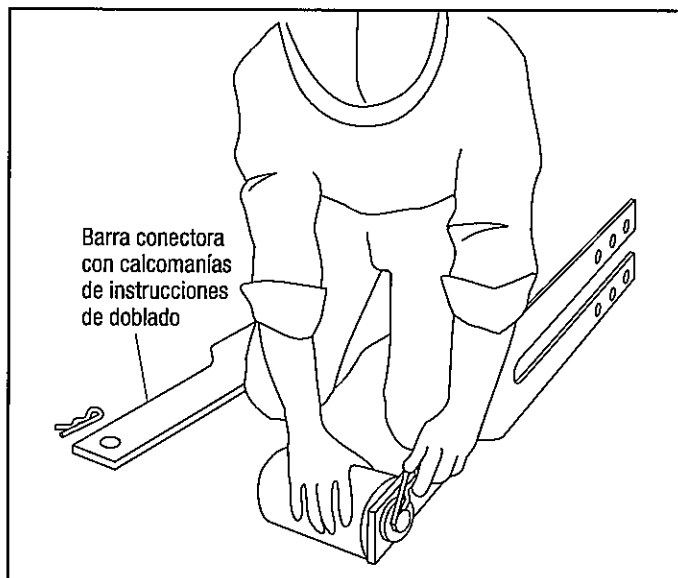


Instrucciones de ensamblaje y operación

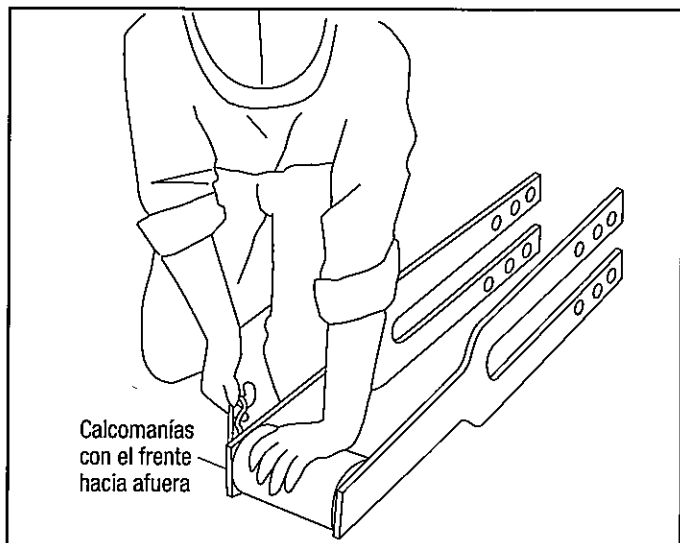
881 y 881CT — Operación en piso (consultar "Identificación — Componentes principales")



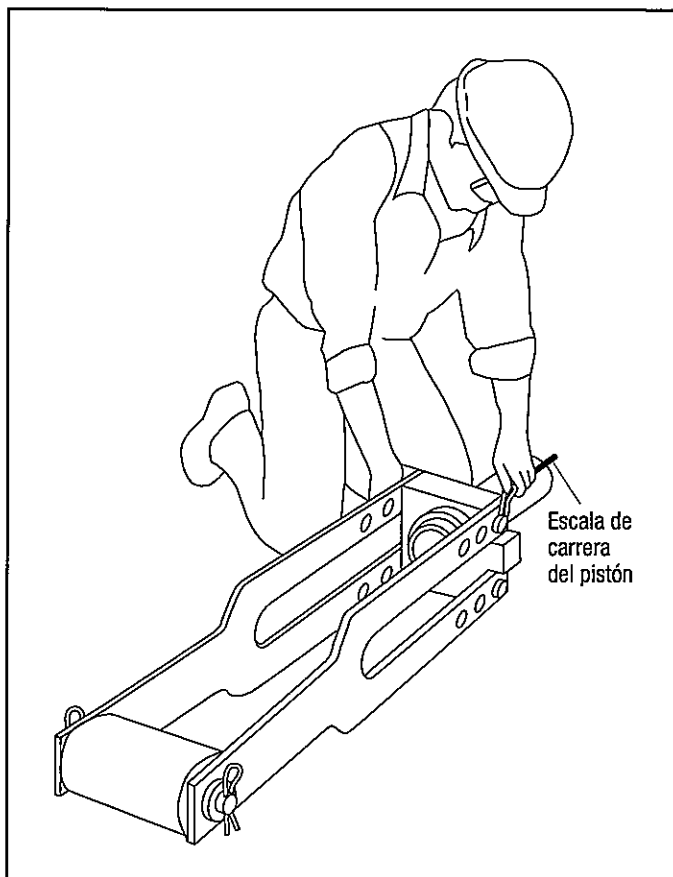
1. Coloque sobre el piso las barras conectoras (C), la unidad de rodillo (D), y dos chavetas de pasador de enganche (E).



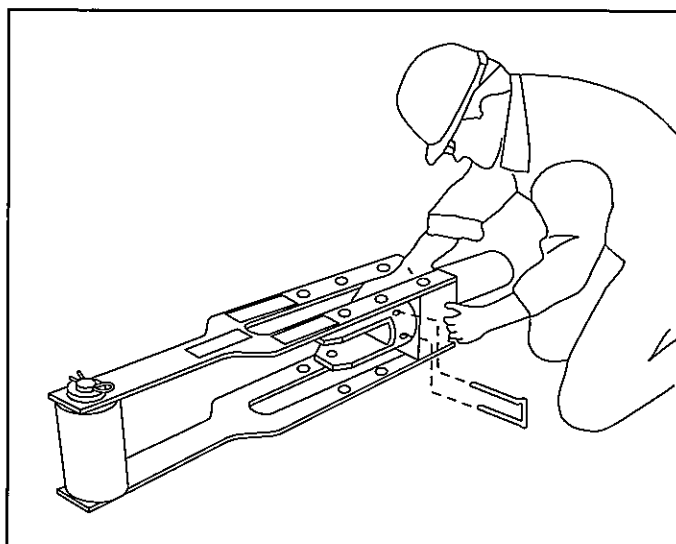
2. Acople la unidad de rodillo a una de las barras conectoras con una chaveta de pasador de enganche, según se indica.



3. Repita el paso 2 para la otra barra conectora.



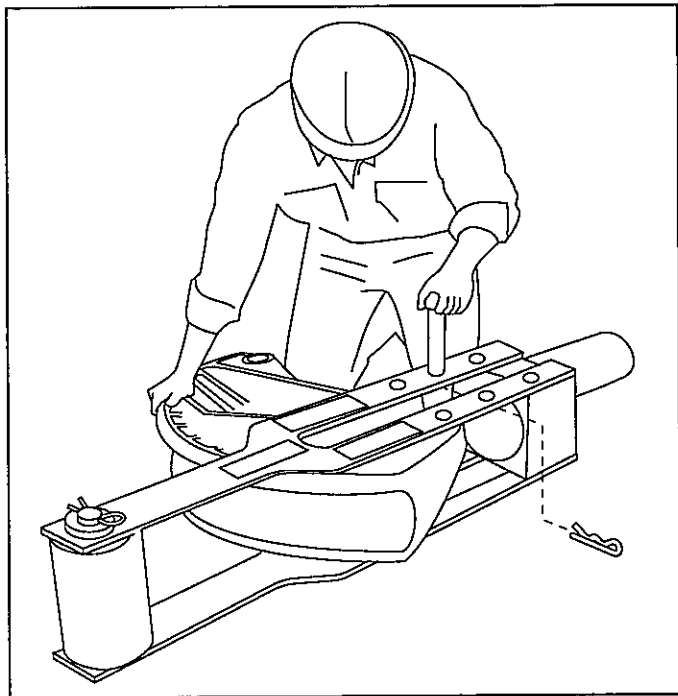
4. Coloque el pistón y el bloque del cilindro de manera que, desde el punto de vista del operador, la escala del pistón quede arriba y a la izquierda del pistón.



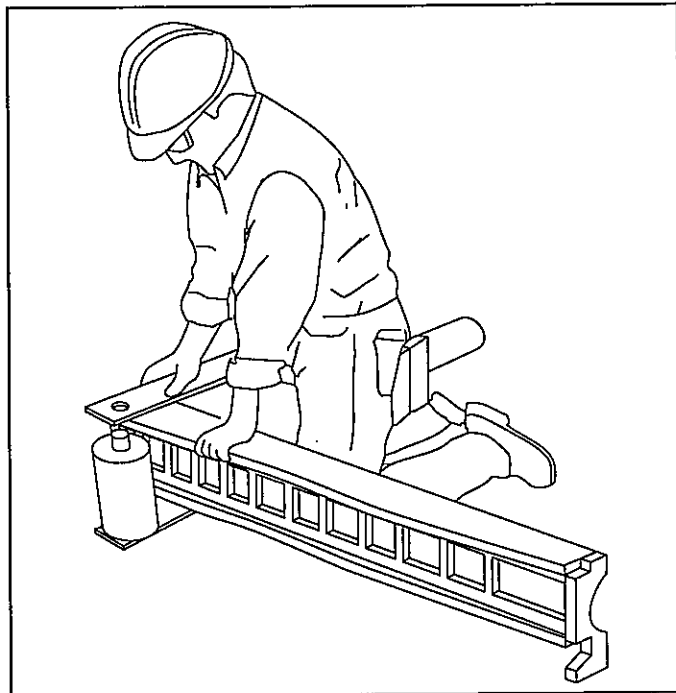
5. Acople la horquilla (B) al cilindro con el sujetador de resorte (H).

Instrucciones de ensamblaje y operación

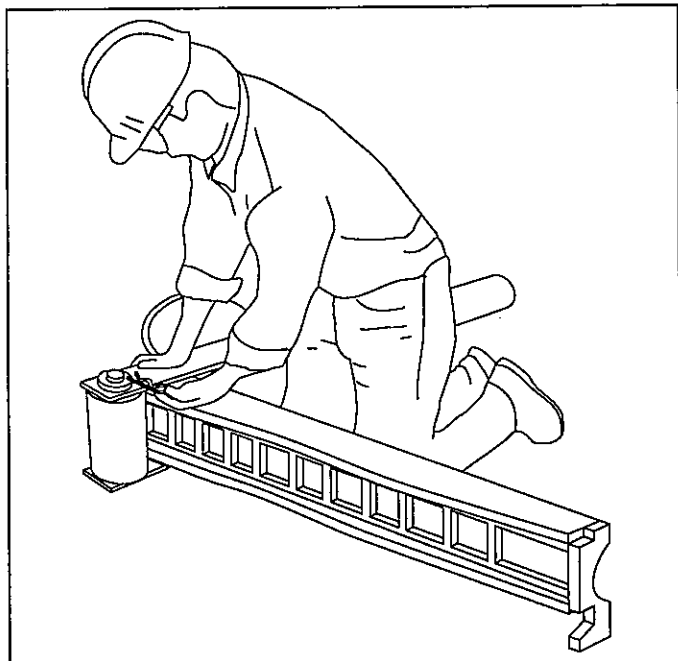
881 y 881CT — Operación en piso (continuación)



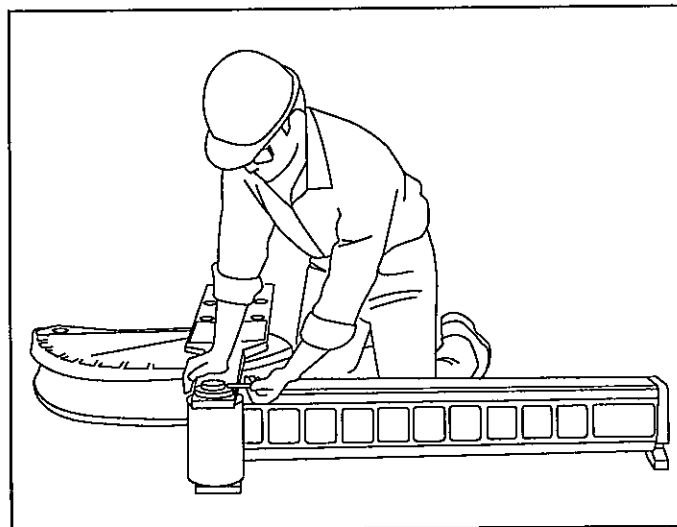
6. Seleccione la zapata según el diámetro del tubo portacables a doblar. Introduzca la zapata de manera que la marca del tamaño de la zapata quede hacia arriba. Alinee el orificio EMT o el orificio IMC/Rigid con la horquilla e introduzca la clavija de la horquilla (G). Fije la clavija de la horquilla con una claveta de pasador de enganche (E).



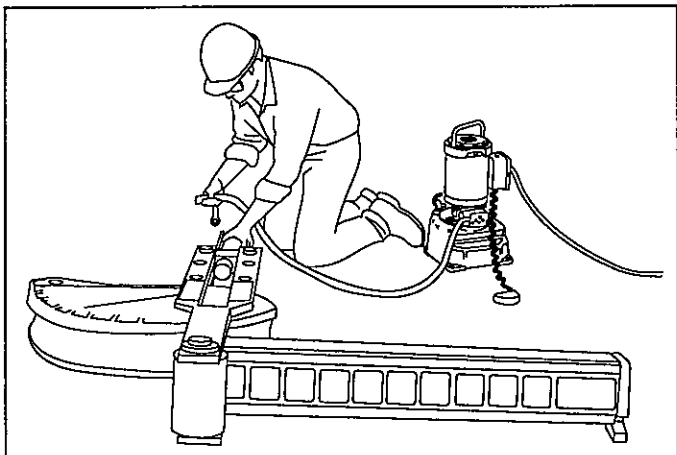
8. Levante la barra conectora e introduzca la barra seguidora.
Aviso: Introduzca el extremo marcado START.



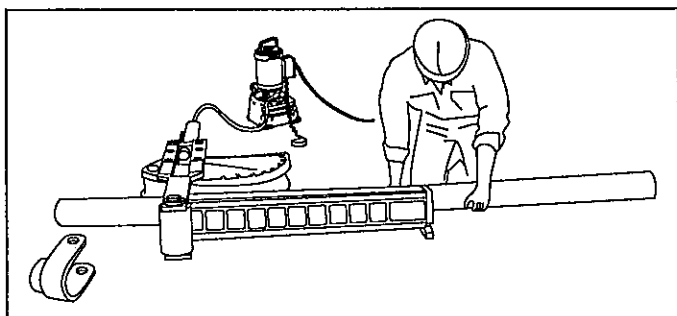
7. Retire una claveta de pasador de enganche del eje del rodillo.



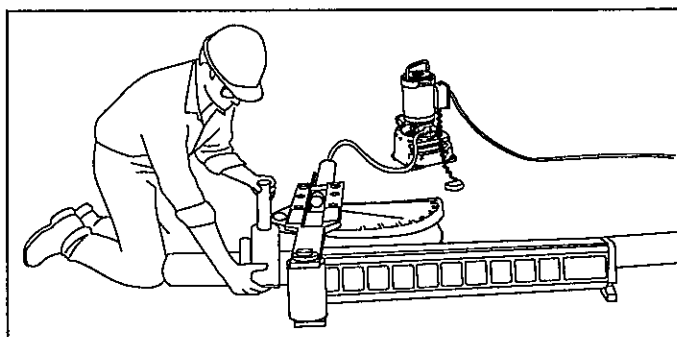
9. Vuelva a introducir la claveta de pasador de enganche en el eje del rodillo.

Instrucciones de ensamblaje y operación
881 y 881CT – Operación en piso (continuación)


10. Acople la manguera (L) a la bomba y al pistón.



11. Cerciórese de que los canales en la zapata y en la barra seguidora estén limpios. Introduzca el tubo portacables en la dobladora.



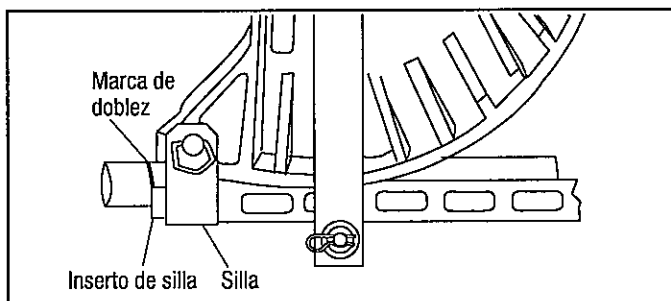
12. Coloque el tubo portacables en el canal de la zapata. Gire la zapata según sea necesario para alinear la silla con la zapata. Coloque la silla de manera que el inserto de la silla quede de frente al operador, según se muestra. Acople la silla a la zapata con la unidad de clavija de silla (M); sujete la unidad de clavija con la claveta de pasador de enganche (E).

Aviso: Alinee la marca de doblez en el tubo portacables con el borde exterior del inserto de la silla.

IMPORTANTE

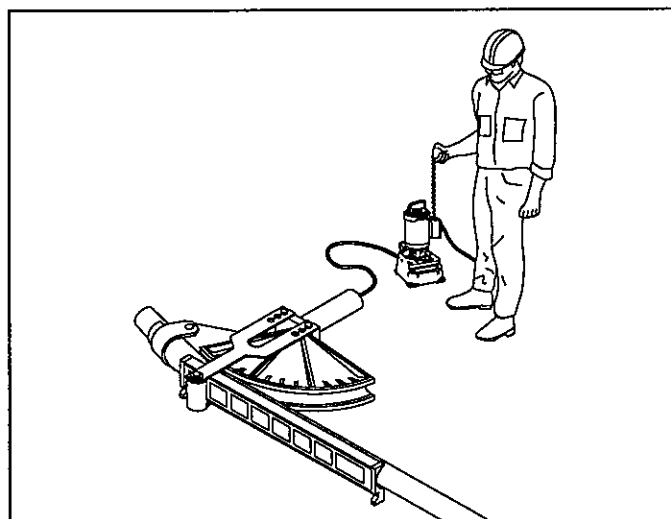
Siga las instrucciones y la información de seguridad suministradas con su bomba hidráulica.

Las instrucciones suministradas en este manual se aplican únicamente a las bombas hidráulicas Greenlee 960 (que se muestra en las ilustraciones) y 980 (no se muestra).



13. Gire a la izquierda la palanca de control de la bomba. Active la bomba hidráulica hasta que la zapata haga contacto con el tubo portacables. Verifique que la silla y la barra seguidora estén ajustadas. Cerciórese de que la barra seguidora haga contacto con la silla. Cerciórese de que la marca de doblez en el tubo portacables esté alineada con el borde frontal del inserto de la silla. Calibre la dobladora (consulte "Calibre la dobladora antes de realizar un doblez" bajo el título "Tabla 3 – Carrera del pistón").

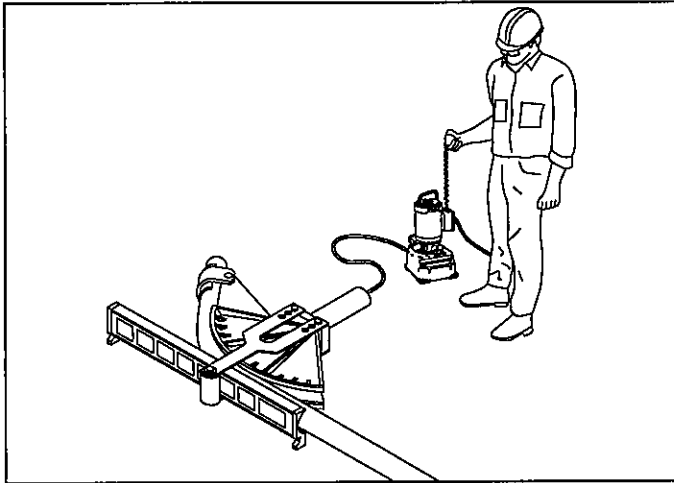
Active la bomba hidráulica para comenzar el doblez.



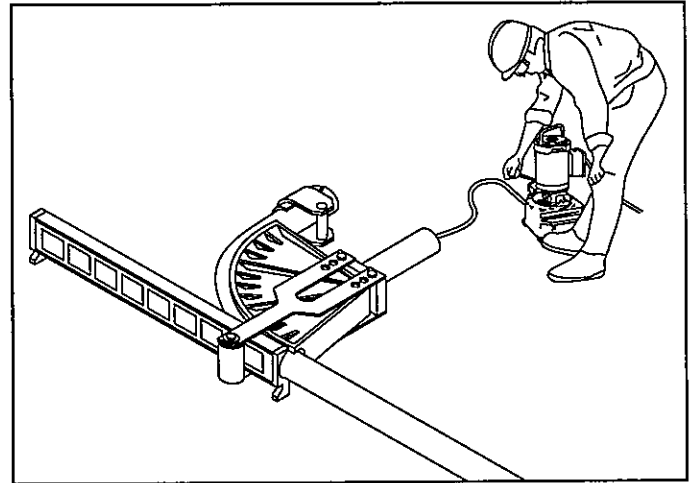
14. 10° de doblez.

Instrucciones de ensamblaje y operación

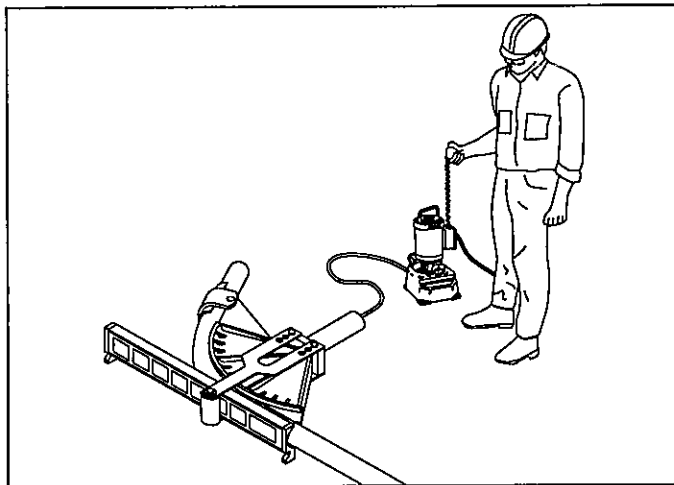
881 y 881CT — Operación en piso (continuación)



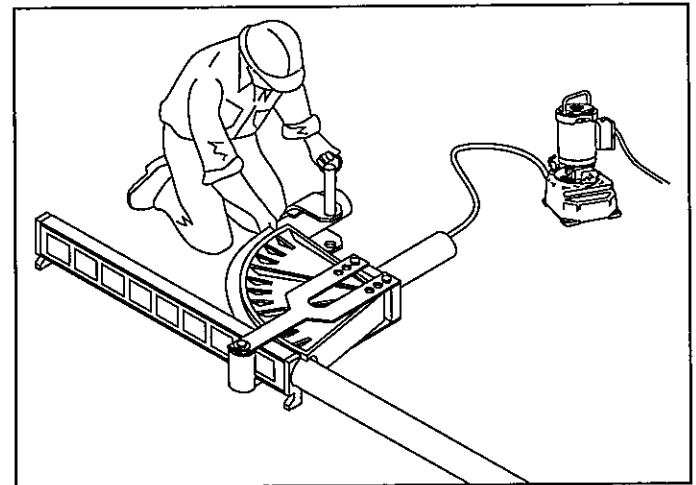
15. 45° de doblé.



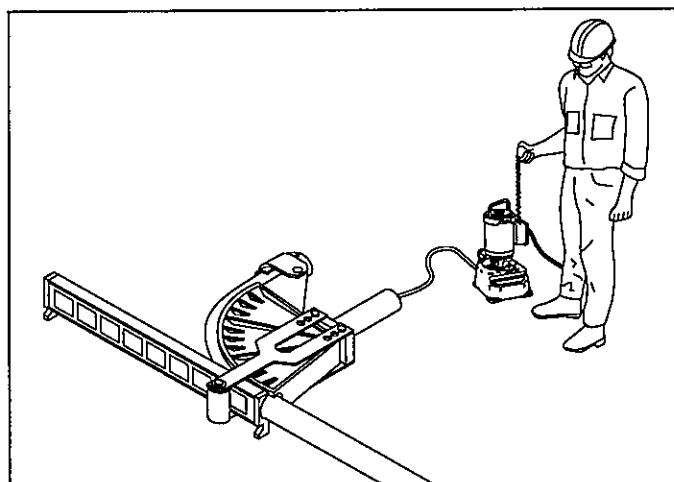
18. Libere la presión hidráulica. Se retraerá el pistón.



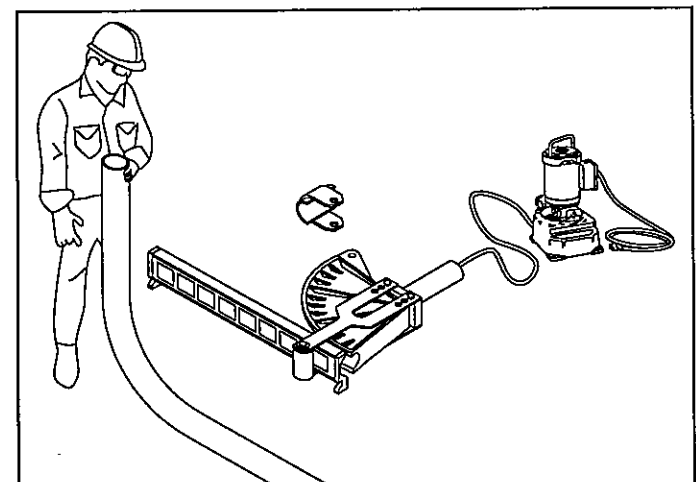
16. 60° de doblé.



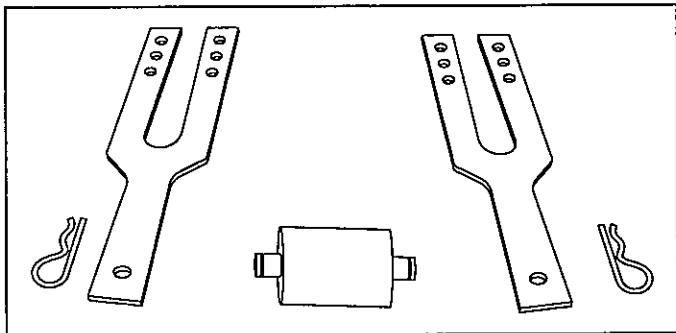
19. Retire la clavija de la silla.



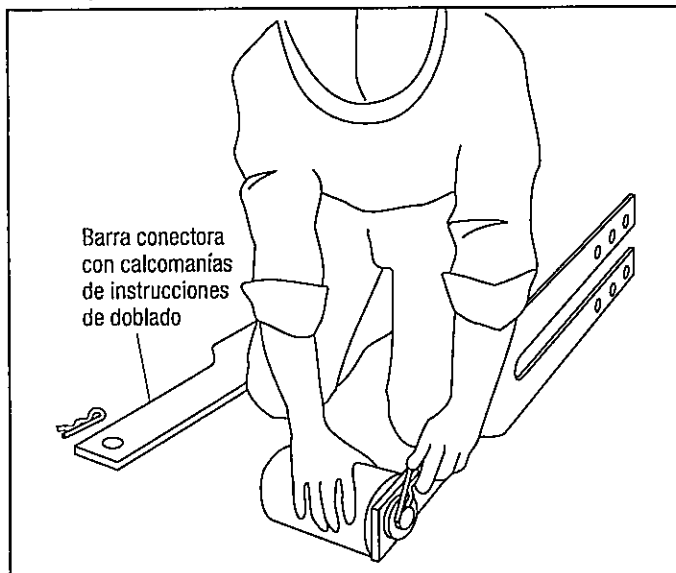
17. 90° de doblé.



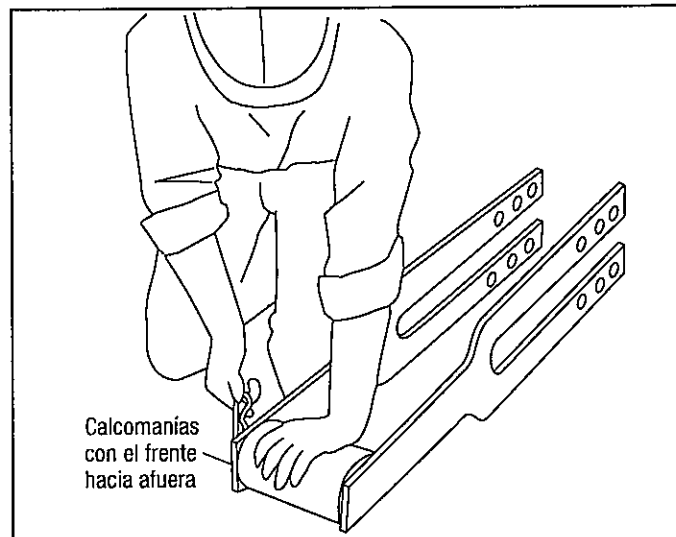
20. El doblé de 90° está terminado.

Instrucciones de ensamblaje y operación
881 y 881CT con Banco de dobladora 1813 (consultar "Identificación – Componentes principales")


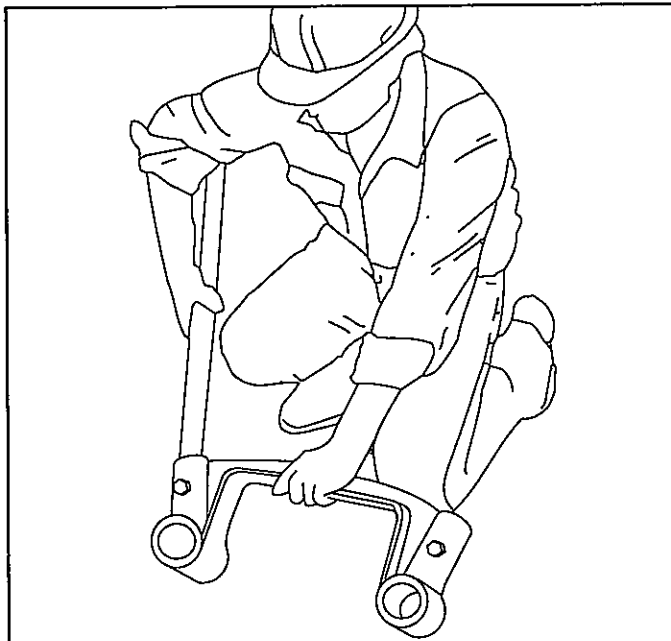
1. Coloque sobre el piso las barras conectoras (C), la unidad de rodillo (D), y dos chavetas de pasador de enganche (E).



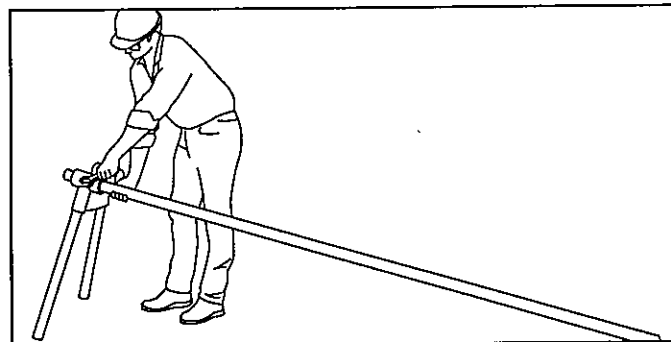
2. Acople la unidad de rodillo a una de las barras conectoras con una chaveta de pasador de enganche, según se indica.



3. Repita el paso 2 para la otra barra conectora.

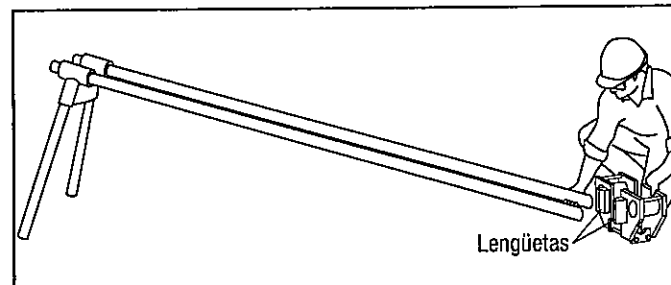


4. Introduzca la pata de 737 mm (29 pulgadas) (25) en la unidad de apoyo de patas (23). Apriete el tornillo de capuchón (24). Repita el procedimiento para las otras tres patas.



5. Introduzca dos tramos de 3,05 m (10 pies) de tubo portacables IMC o rígido en la unidad de apoyo de patas (23). Apriete los cuatro tornillos de capuchón (24).

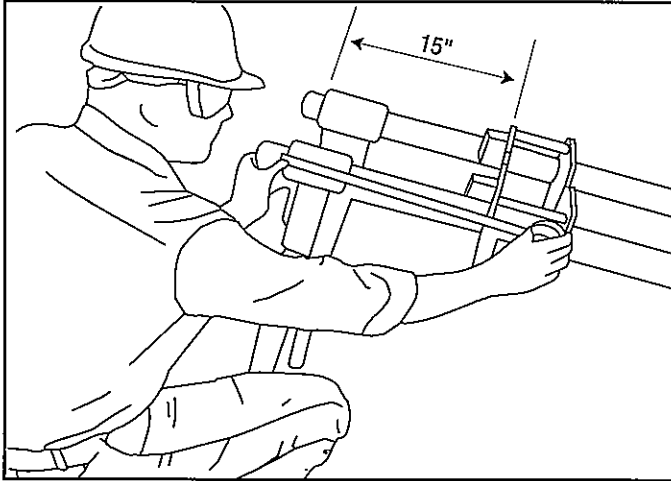
Aviso: Estos tramos de tubos portacables no se suministran con el Banco de dobladora 1813.



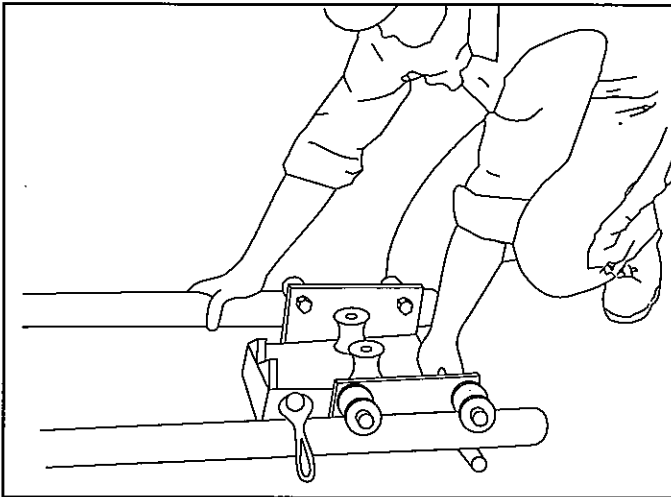
6. Coloque la unidad de montaje de la dobladora (27) según se indica, y deslícela, con las lengüetas por delante, en los dos tubos portacables de 3,05 m (10 pies).

Instrucciones de ensamblaje y operación

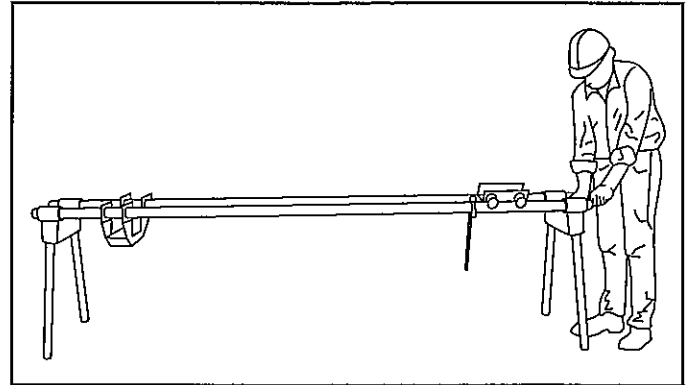
881 y 881CT con Banco de dobladora 1813 (continuación)



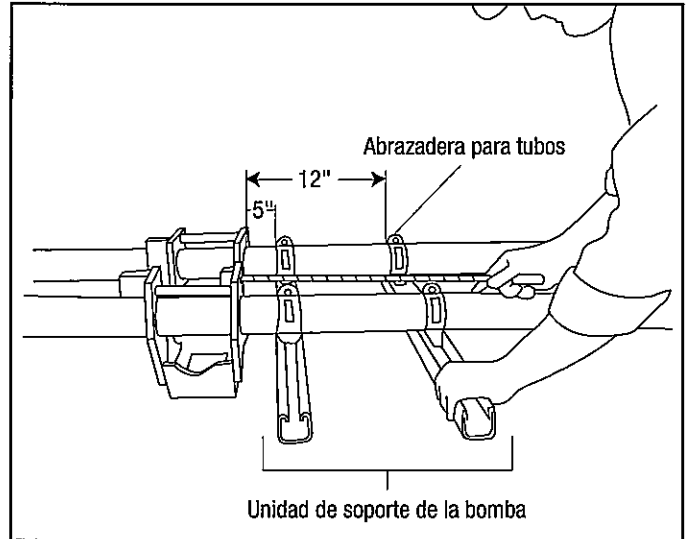
7. Coloque la unidad de montaje de la dobladora a 38 mm (15 pulgadas) de la unidad de apoyo de patas. Apriete los dos tornillos de la unidad de montaje de la dobladora (28).



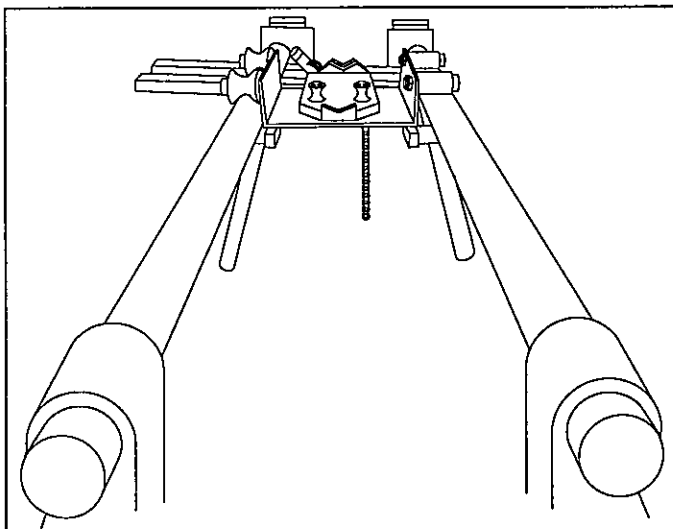
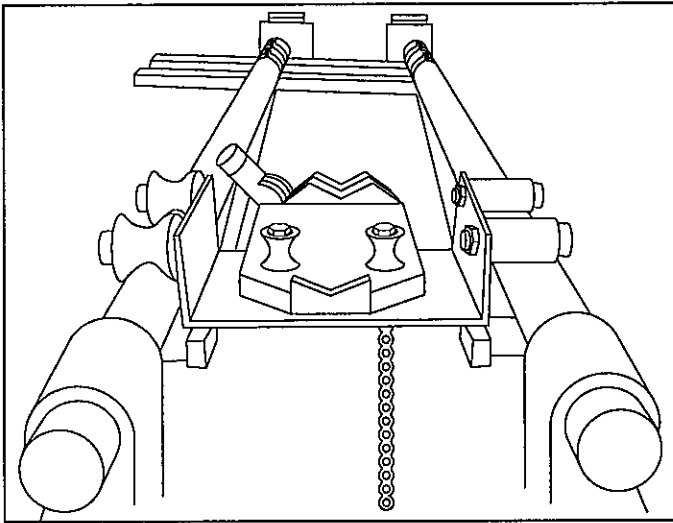
8. Deslice la unidad de prensa para tubos (38) en los dos tubos portacables de 3,05 m (10 pies), según se muestra.



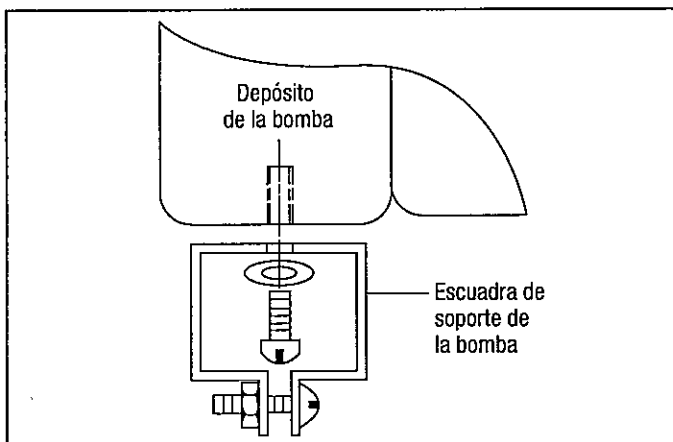
9. Acople la segunda unidad de apoyo de patas (23) a los tubos portacables de 3,05 m (10 pies). Apriete los cuatro tornillos (24).



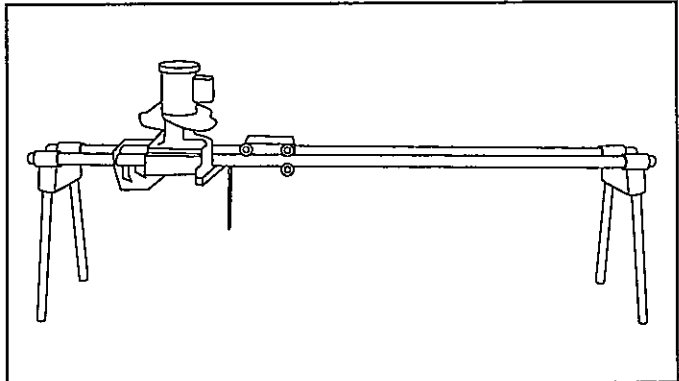
10. Cuelgue las dos abrazaderas para tubos (34) sobre cada uno de los tubos portacables de 3,05 m (10 pies). Coloque las abrazaderas para tubos a 13 mm (5 pulgadas) y a 305 mm (12 pulgadas) de la unidad de montaje de la dobladora. Instale los apoyos para bomba (26) sobre las abrazaderas. No apriete las abrazaderas.

Instrucciones de ensamblaje y operación
881 y 881CT con Banco de dobladora 1813 (continuación)


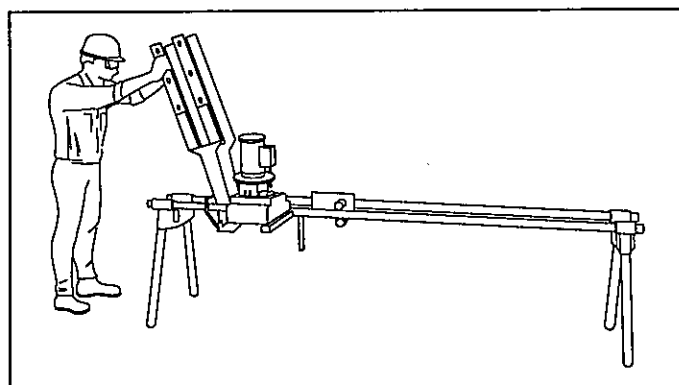
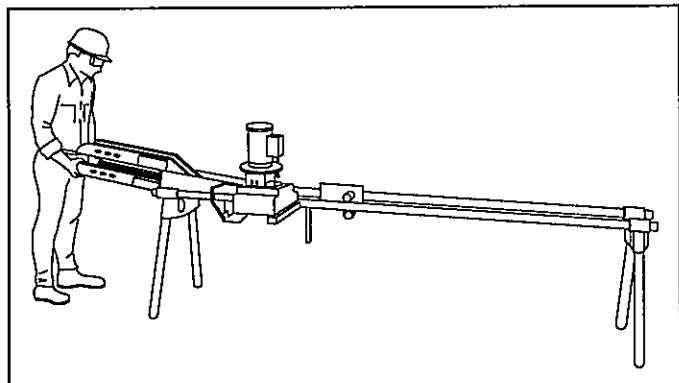
11 y 12. Nivele el banco en ambos extremos.



13. Quite las patas de hule/ruedecillas de la bomba. Acople la escuadra de soporte de la bomba (64) a la bomba con los herrajes de montaje de dicha escuadra (40-43). Véase la ilustración.



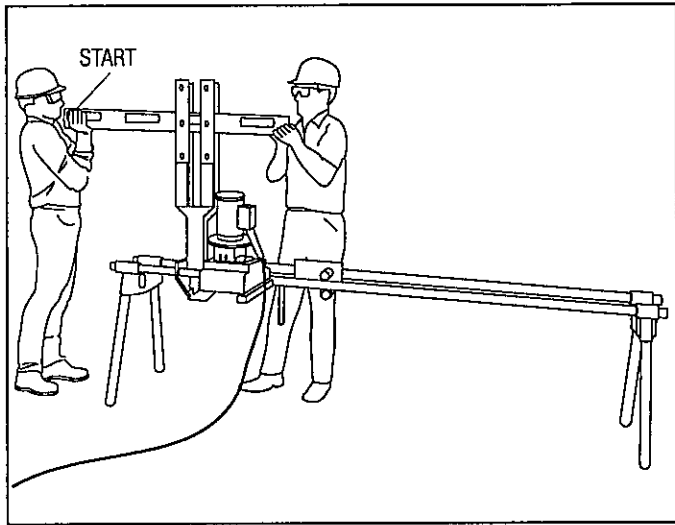
14. Deslice la bomba hasta los apoyos para bomba. Apriete los tornillos en los lados inferiores de las escuadras de soporte de la bomba para fijar la bomba. Verifique que los apoyos para bomba estén a 13 mm (5 pulgadas) y 305 mm (12 pulgadas) de la unidad de montaje de la dobladora. Apriete los tornillos de la abrazadera para tubos.



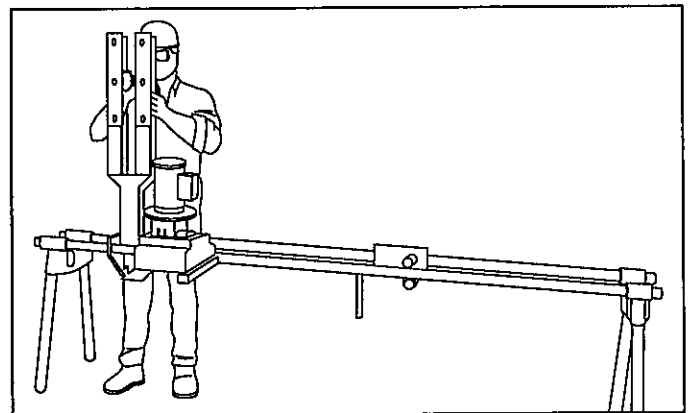
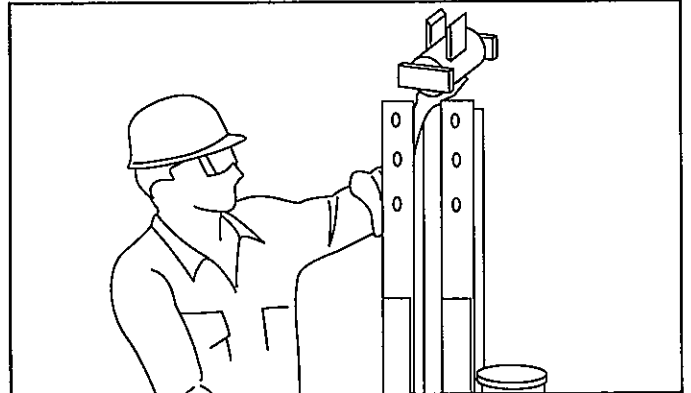
15 y 16. Cargue la barra conectora y la unidad de rodillo en la unidad de montaje de la dobladora.

Instrucciones de ensamblaje y operación

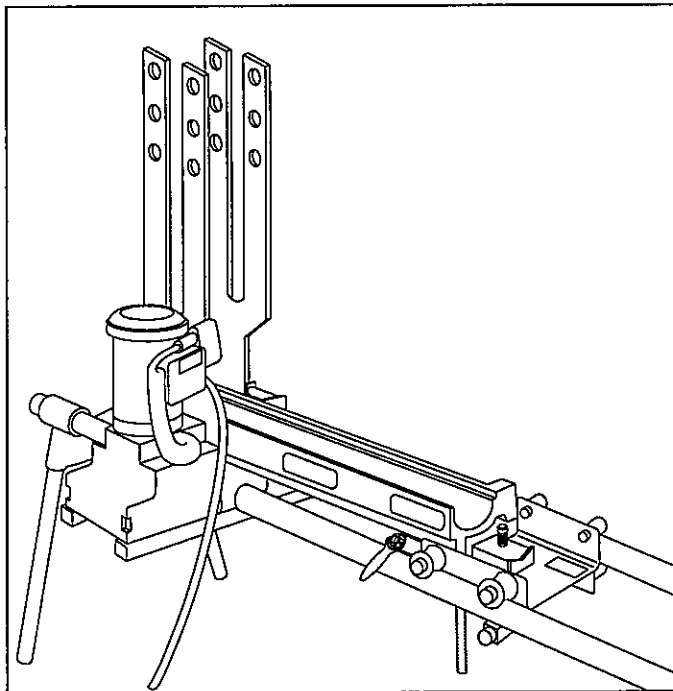
881 y 881CT con Banco de dobladora 1813 (continuación)



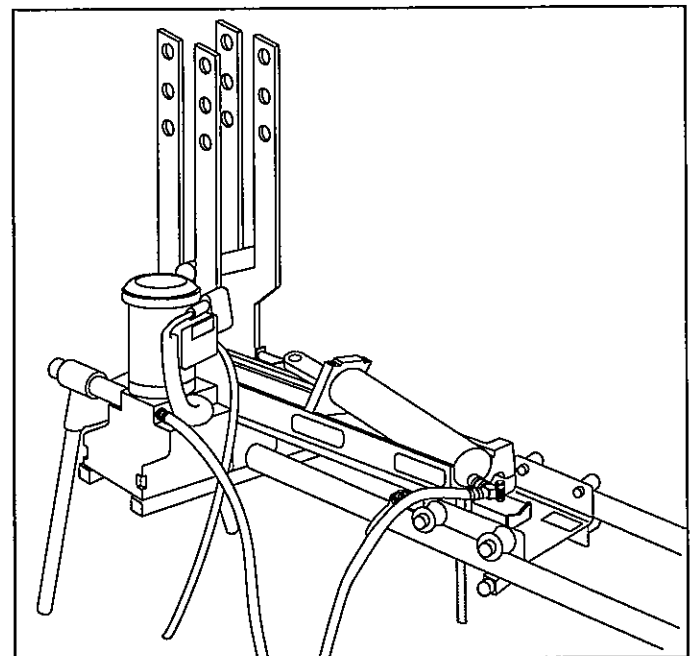
17. Introduzca la barra seguidora en la dobladora con el extremo marcado START, en la posición que se indica.



19 y 20. Inserte la guía de posición del pistón (33).



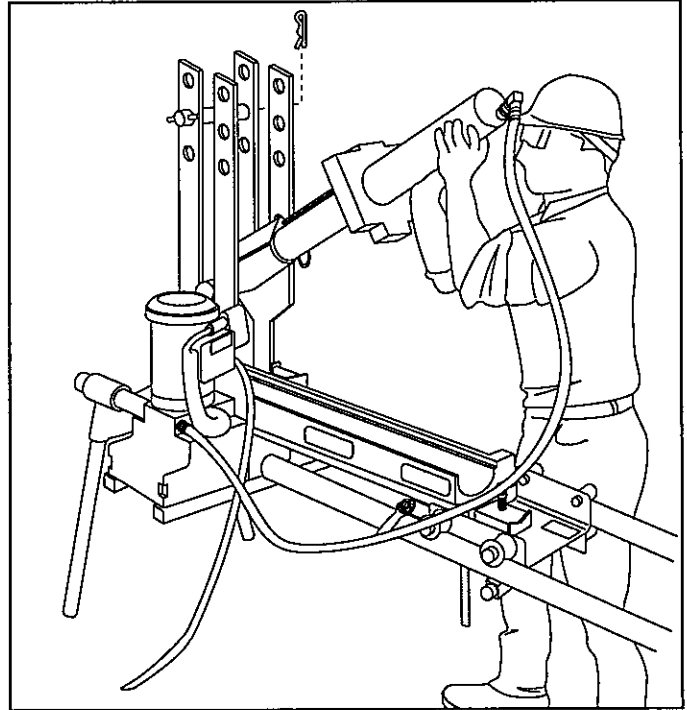
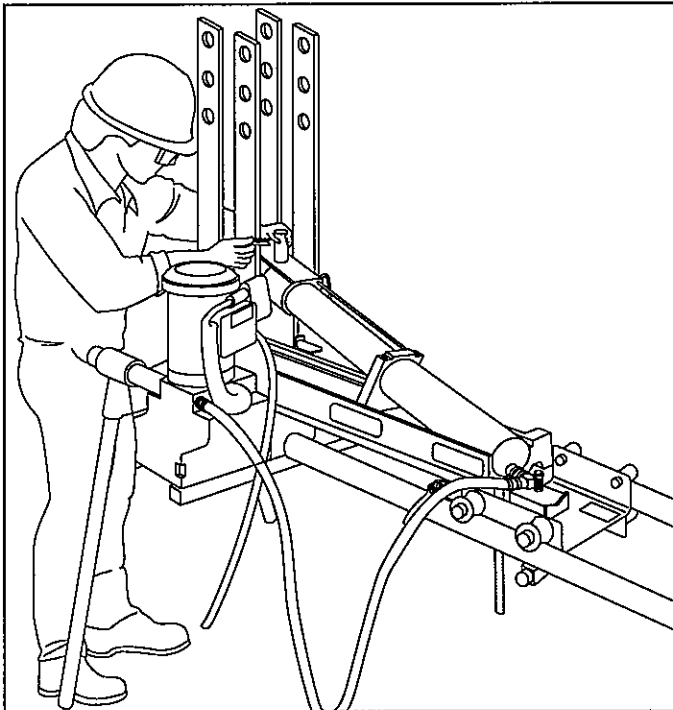
18. Apoye la parte posterior de la barra seguidora sobre la unidad de prensa para tubos.



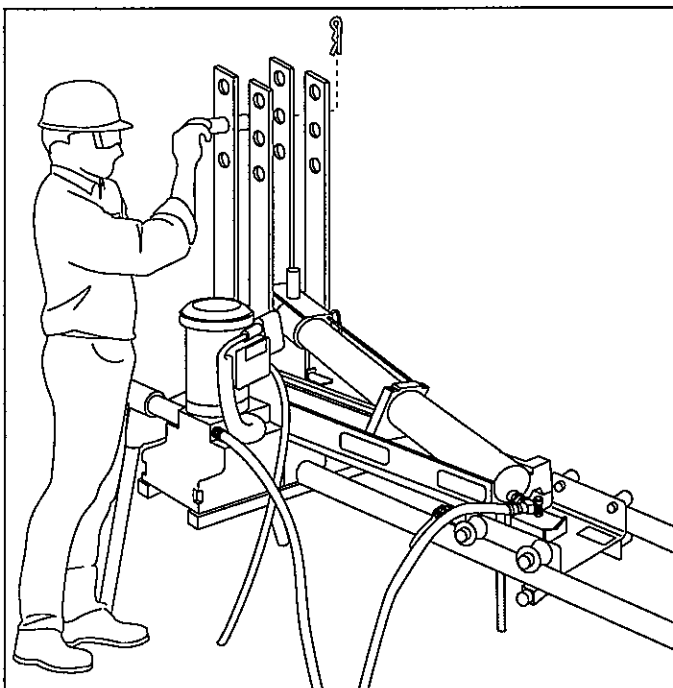
21. Acople el racor hidráulico (29) al pistón, y conecte la manguera al racor. Coloque el cilindro y la horquilla en la barra seguidora. Gire a la izquierda la palanca de control de la bomba.

Instrucciones de ensamblaje y operación

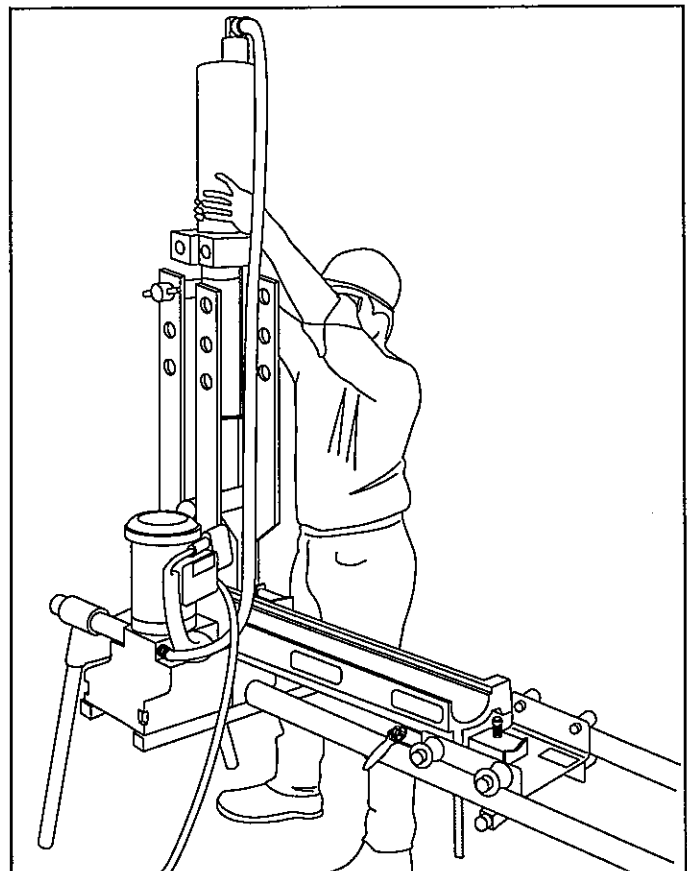
881 y 881CT con Banco de dobladora 1813 (continuación)



22. Active la bomba hidráulica para extender el pistón aproximadamente 356 mm (14 pulgadas). **NO EXTIENDA EXCESIVAMENTE EL PISTÓN.** Acople la horquilla a la guía de posición del pistón con la clavija de la horquilla (G). Fije la clavija de la horquilla con una chaveta de pasador de enganche (E).



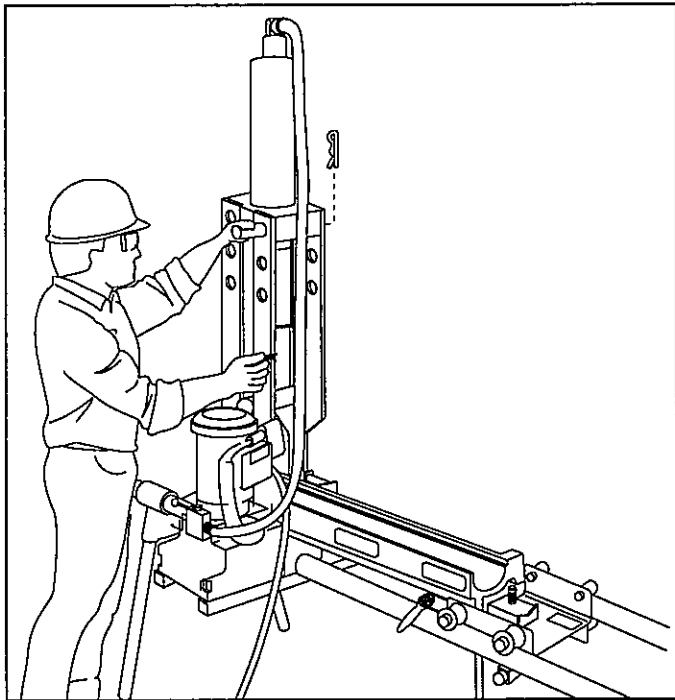
23. Introduzca una clavija del bloque del cilindro (F) en el orificio marcado 3" CONDUIT según se muestra.



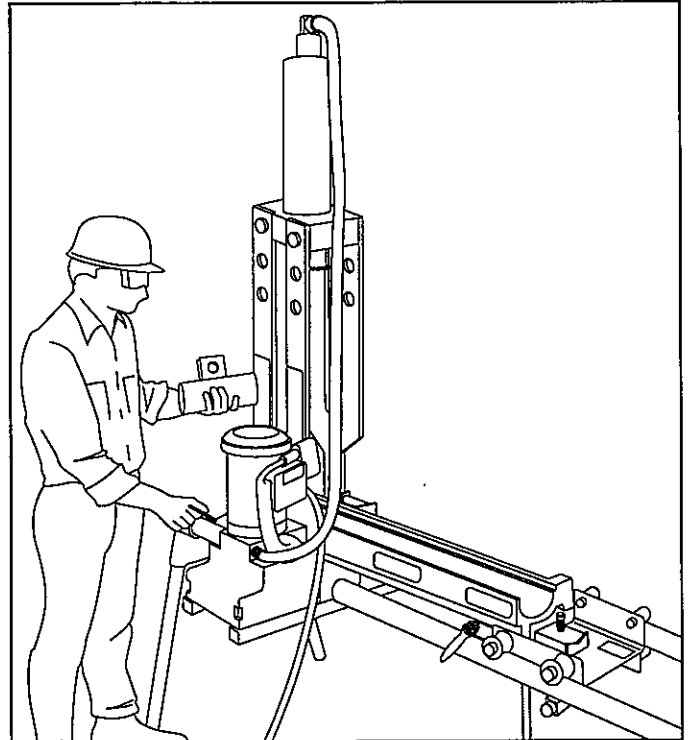
24 y 25. Gire la unidad de pistón hasta quedar en posición.

Instrucciones de ensamblaje y operación

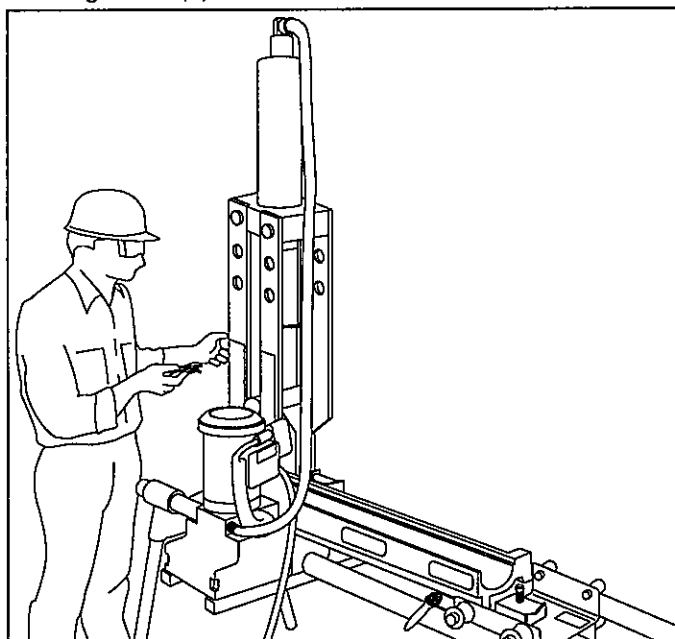
881 y 881CT con Banco de dobladora 1813 (continuación)



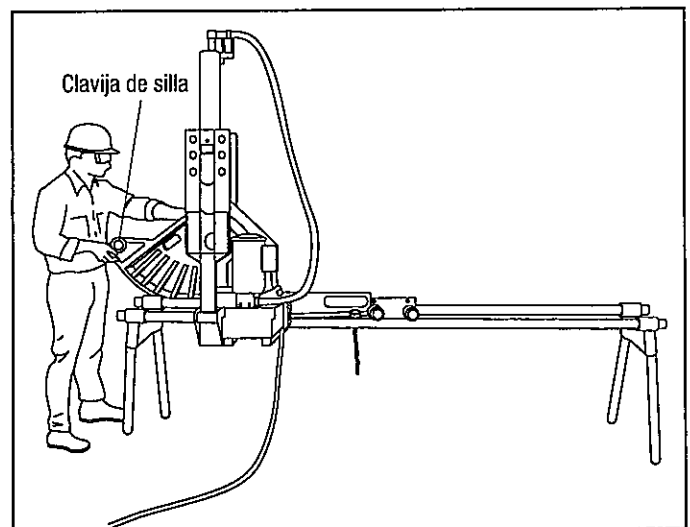
26. Quite la clavija del bloque del cilindro del orificio '3" Conduit' en la barra conectora. Gire a la derecha la palanca de control de la bomba para retraer el pistón. Coloque el bloque del cilindro en la ubicación correcta según el diámetro de tubo portacables a doblar. Introduzca las dos clavijas del bloque del cilindro (F) a través de las barras conectoras y a través del bloque del cilindro. Fije los pasadores con dos chavetas de pasador de enganche (E).



28. Retire la guía de posición del pistón de la unidad de barra conectora.



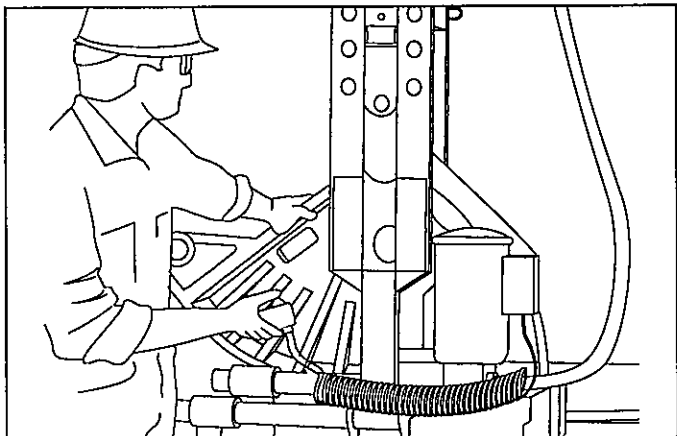
27. Retire la clavija de la horquilla de la guía de posición del pistón.



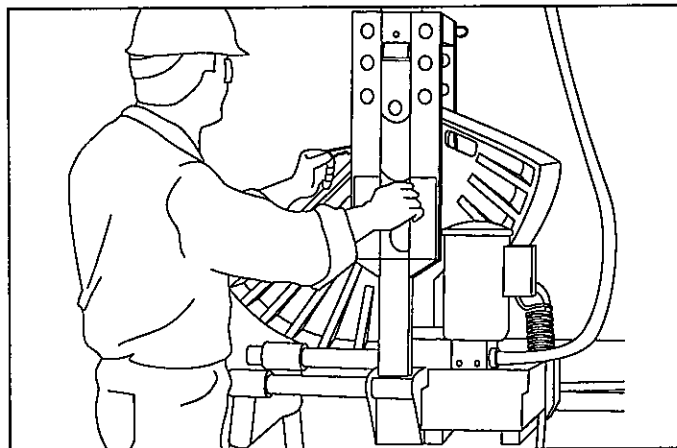
29. Cargue la zapata en la dobladora de manera que el orificio de la clavija de la silla quede a la izquierda, según se muestra.

Instrucciones de ensamblaje y operación

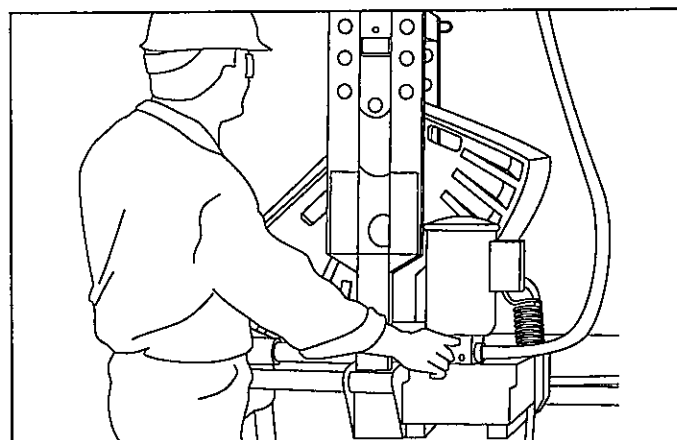
881 y 881CT con Banco de dobladora 1813 (continuación)



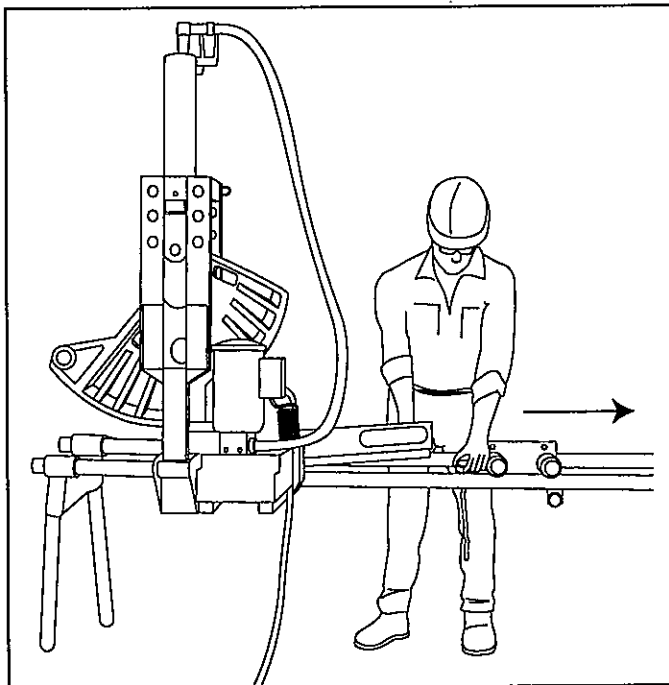
30. Gire a la izquierda la palanca de control de la bomba. Active la bomba hidráulica para avanzar la zapata hasta que la horquilla esté alineada con el orificio de clavija de horquilla de la zapata apropiada (EMT o IMC/Rigid).



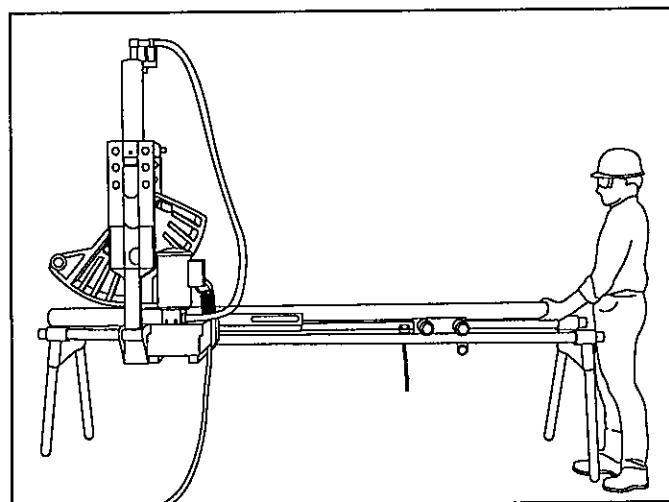
31. Acople la horquilla a la zapata con la clavija de la horquilla (G). Fije la clavija de la horquilla con una claveta de pasador de enganche (E).



32. Gire a la derecha la palanca de control de la bomba para retraer el pistón.



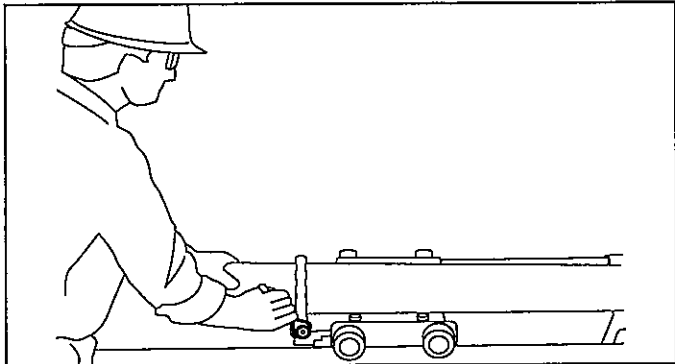
33. Quite la unidad de prensa de su posición debajo de la barra seguidora. Deslice la unidad de prensa hacia el extremo lejano del banco de la dobladora.



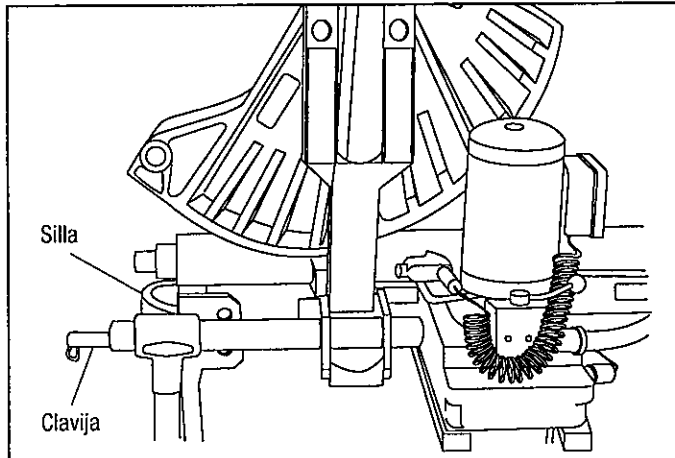
34. Introduzca el tubo portacables a doblar. Gire a la izquierda la palanca de control de la bomba y avance la zapata hasta hacer contacto leve con el tubo portacables.

Instrucciones de ensamblaje y operación

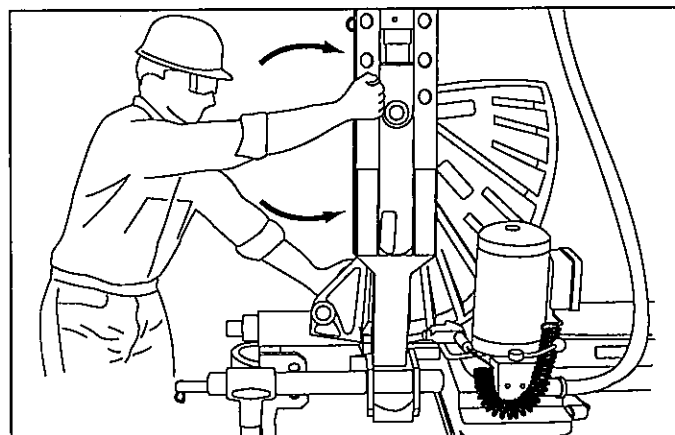
881 y 881CT con Banco de dobladora 1813 (continuación)



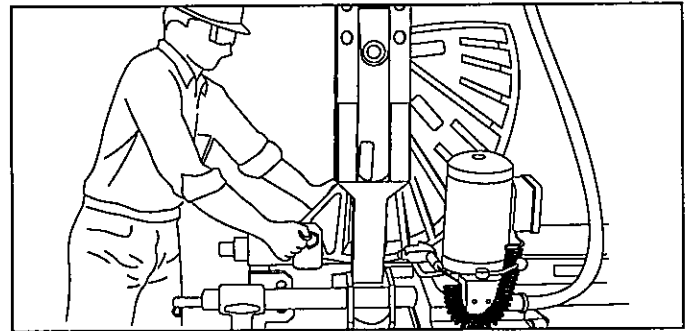
35. Coloque la unidad de prensa a una distancia del soporte de la bomba de manera que la unidad de prensa no haga contacto con el soporte de la bomba antes de terminar el doblez. Sujete el tubo portacables en la unidad de prensa.



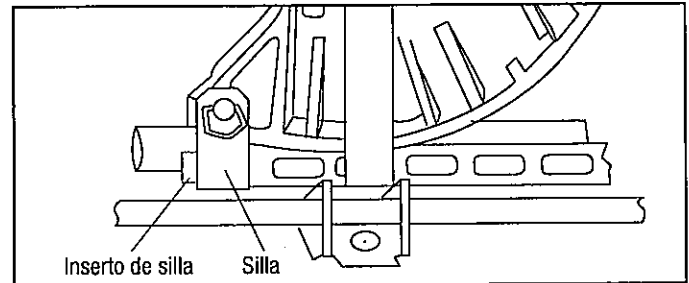
36. Empuje de regreso la barra seguidora (hacia la derecha en la ilustración) hasta que la pata de la barra seguidora haga contacto con la unidad de montaje de la dobladora. Coloque la silla y la clavija de la silla (M) donde se las pueda alcanzar para el ensamblaje.



37. Balancee el bastidor de la dobladora según se muestra y gire de regreso la zapata para el ensamblaje de la silla y la clavija.



38. Sujete la zapata contra el tubo portacables y coloque la silla de manera que el inserto de la silla quede de frente al operador. Alinee el orificio en la silla con el orificio en la zapata e introduzca la clavija de la silla (M). Fije la clavija de la silla con la chaveta de pasador de enganche (E).



39. Deje que la dobladora avance con balanceo y cerciórese de que la barra seguidora avance junto con ella, para que la barra seguidora haga contacto con la silla.

IMPORTANT

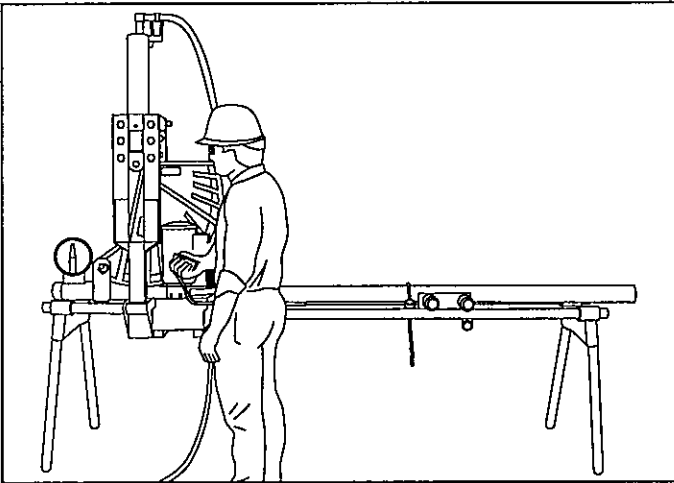
Siga las instrucciones y la información de seguridad suministradas con su bomba hidráulica.



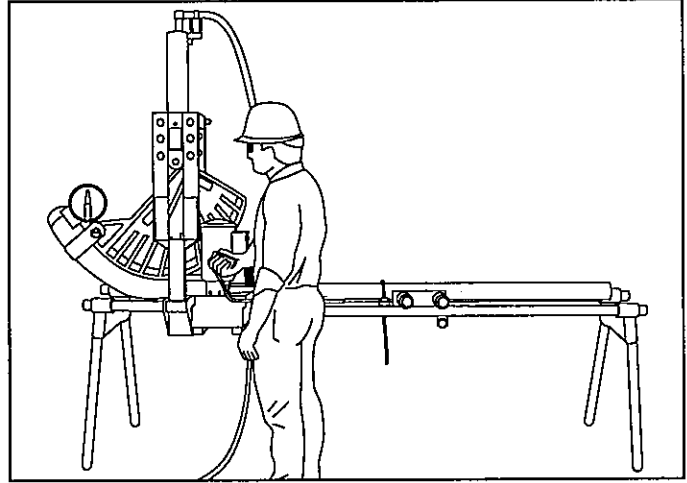
40. Gire a la izquierda la palanca de control de la bomba. Active la bomba hidráulica hasta que la zapata haga contacto con el tubo portacables. Verifique que la silla y la barra seguidora estén ajustadas, y que la barra seguidora haga contacto con la silla según se muestra. Cerciórese de que la marca de doblez en el tubo portacables esté alineada con el borde frontal del inserto de la silla. Acople el indicador de grados de doblez modelo 1805 (35) al tubo portacables. Gire la rueda selectora para poner a cero grados el indicador.

Instrucciones de ensamblaje y operación

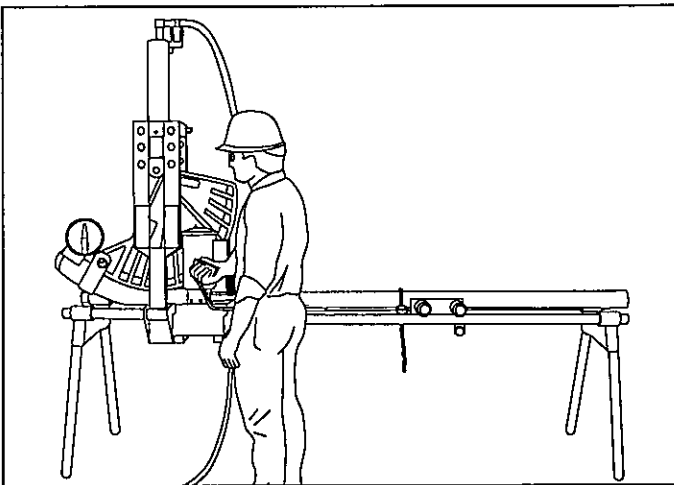
881 y 881CT con Banco de dobladora 1813 (continuación)



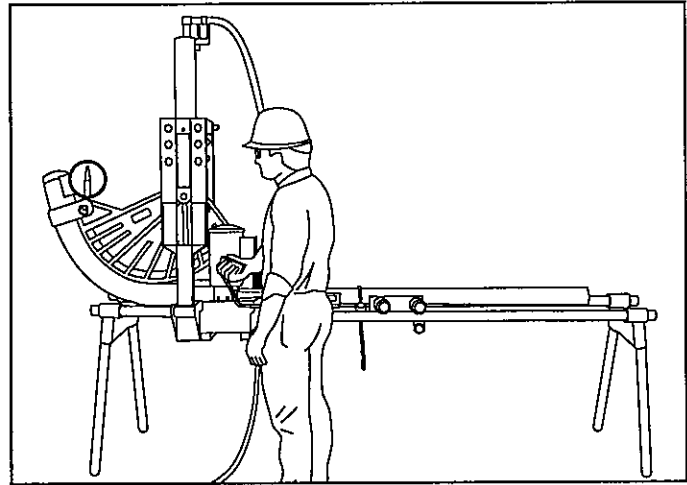
41. Active la bomba hidráulica para comenzar el doblé.



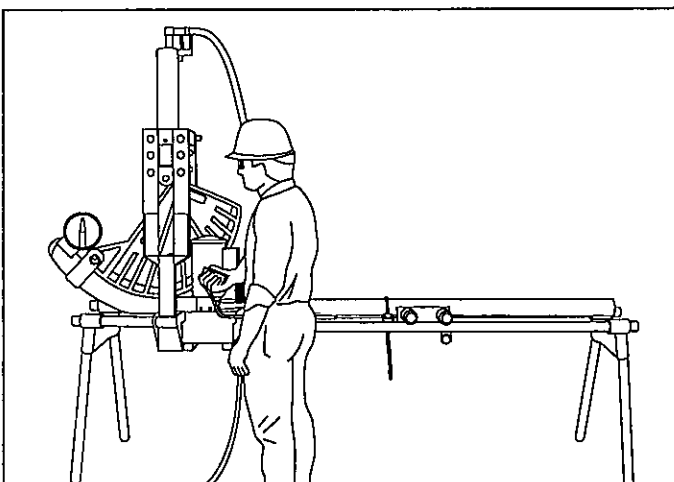
44. 45° de doblé.



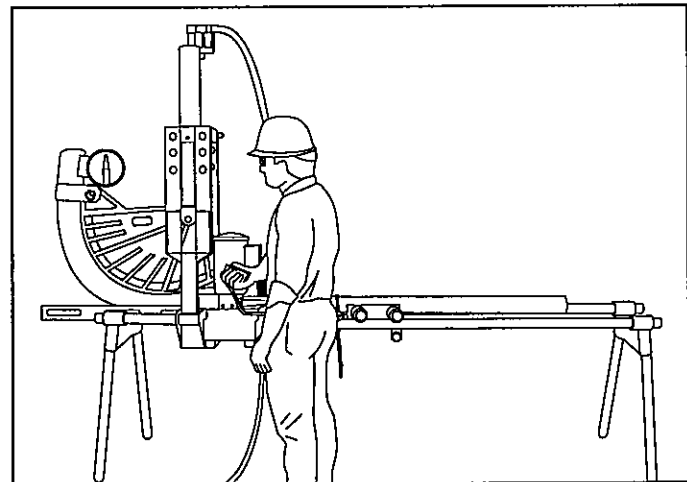
42. 15° de doblé.



45. 60° de doblé.



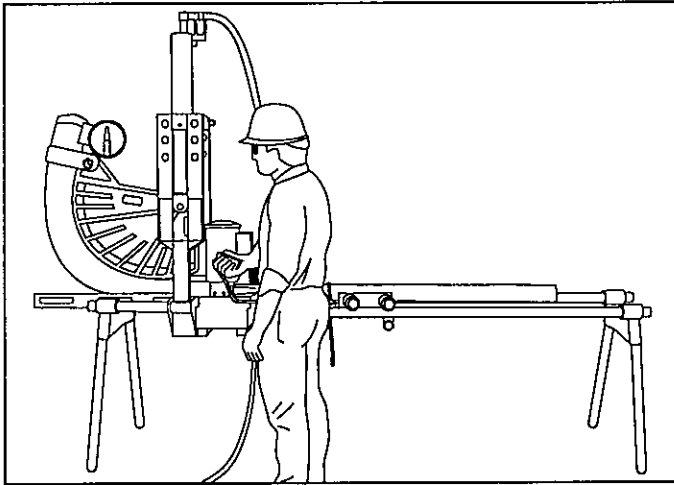
43. 30° de doblé.



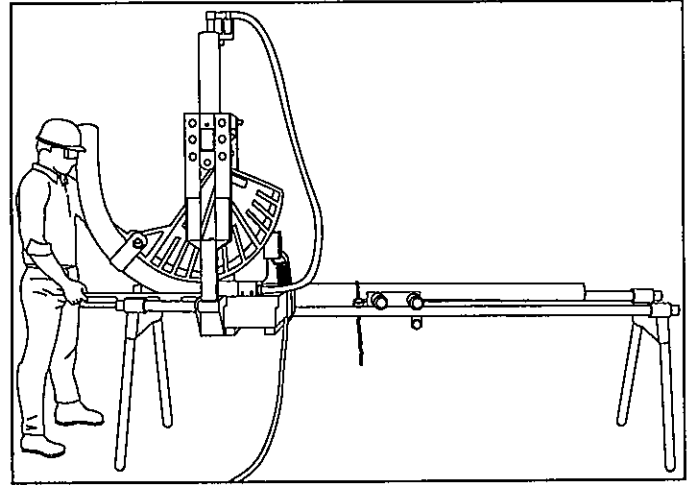
46. 75° de doblé.

Instrucciones de ensamblaje y operación

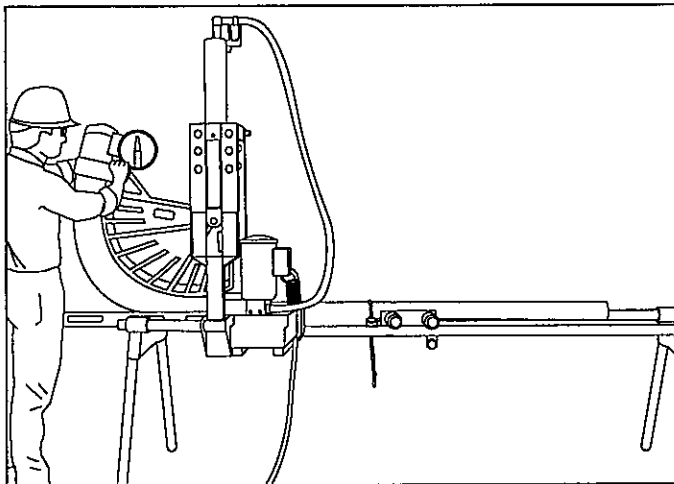
881 y 881CT con Banco de dobladora 1813 (continuación)



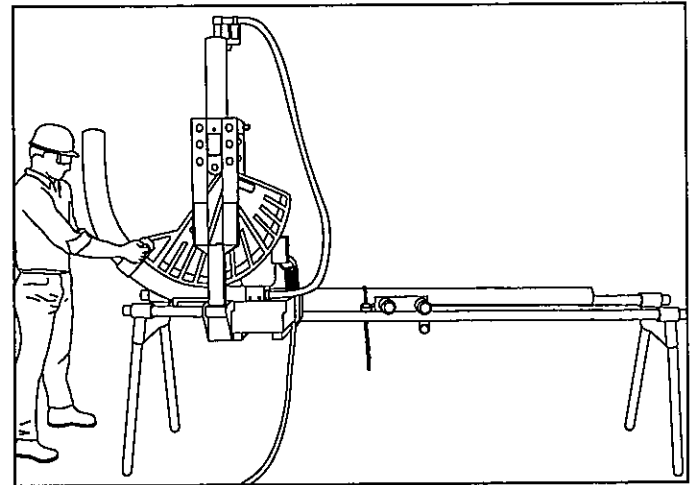
47. 90° de doblaz.



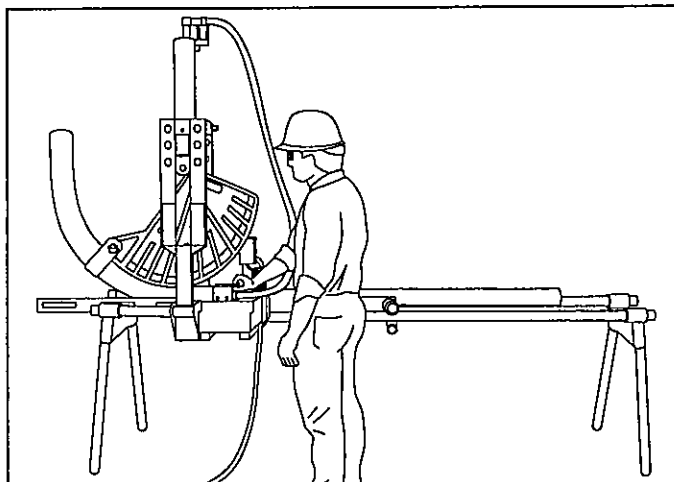
50. Empuje la barra seguidora hasta la posición inicial.



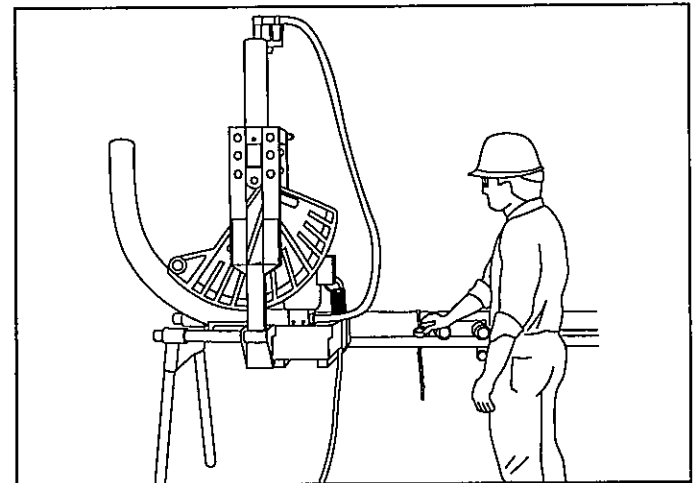
48. Quite el indicador de grados de doblaz 1805.



51. Retire la clavija de la silla y la silla.



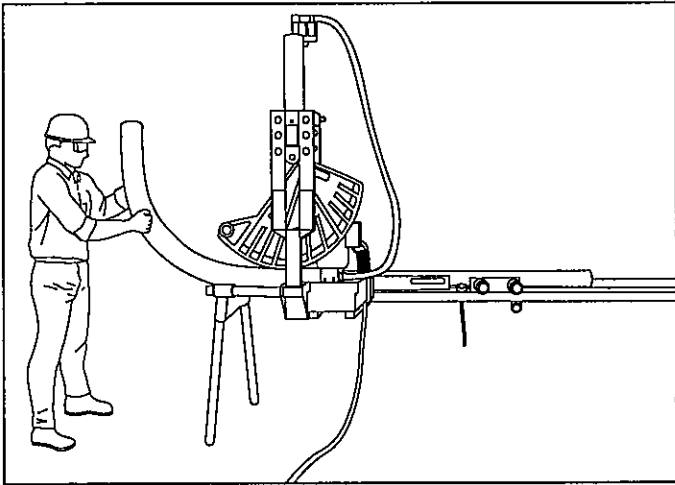
49. Gire a la derecha la palanca de control de la bomba para retraer la zapata.



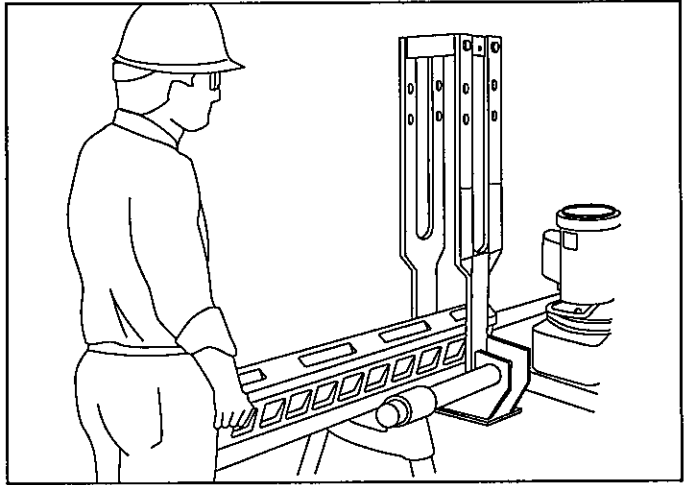
52. Libere la cadena de la prensa.

Instrucciones de ensamblaje y operación

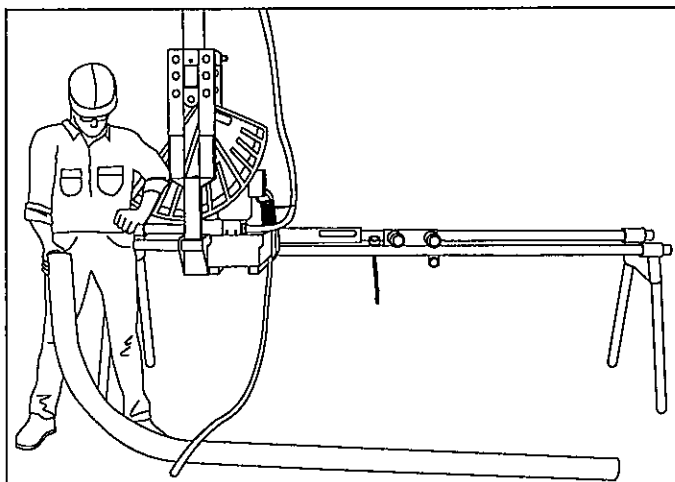
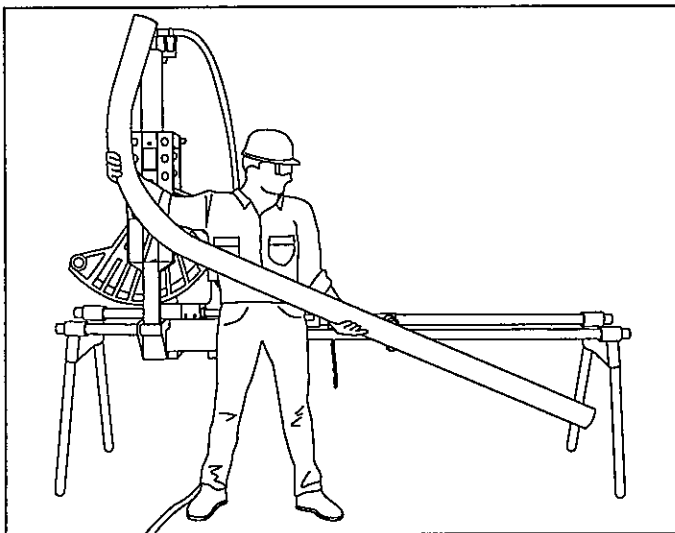
881 y 881CT con Banco de dobladora 1813 (continuación)



53. Retire el tubo portacables de la dobladora.



56. Para cambiar la barra seguidora, gírela y retírela.



54 y 55. El doblado de 90° está terminado.

Glosario de términos de doblado con ilustraciones

1. **Cantidad de desviación** — la distancia que debe desviarse el tubo portacables o tubería para evitar un obstáculo; consulte el término desviación en este glosario y "Desviaciones" en "Cómo realizar dobleces" en este manual

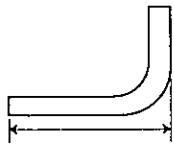


2. **Dobleces contiguo** — cualquier doblez en forma de U integrado por dos dobleces paralelos de 90° con una sección recta de tubo portacables o tubería entre los dobleces.

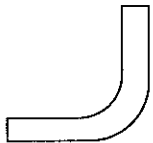
3. **Distancia centro a centro** — la distancia entre los dobleces sucesivos que conforman una desviación o silla de tres dobleces.

4. **Profundidad de desviación** — lo mismo que cantidad de desviación

5. **Altura de desviación** — lo mismo que cantidad de desviación



6. **Longitud de la pata** — la distancia desde el extremo de una sección horizontal del tubo portacables o tubería hasta el doblez; medida desde el extremo hasta la línea central, el borde interior o el borde exterior del tubo portacables o tubería.

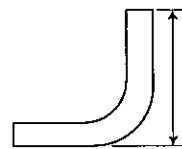


7. **Codo de 90°** — cualquier doblez que cambie 90° la dirección del tubo portacables o tubería

8. **D.E.** — el diámetro de cualquier pieza del tubo portacables o tubería según se mide a través de su diámetro exterior

9. **Dobleces de desviación** — dos dobleces con el mismo grado de doblez; utilizado para esquivar un obstáculo que bloquee el paso del tubo portacables o tubería

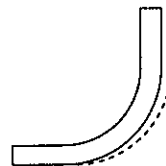
10. **Carrera del pistón** — la distancia que el pistón de la dobladora hidráulica se desplaza para lograr un doblez particular; los milímetros (pulgadas) de carrera del pistón son proporcionales a los grados de doblez



11. **Elevación** — la distancia desde el extremo de una sección horizontal del tubo portacables o tubería hasta el doblez; medida desde el extremo hasta la línea central, el borde interior o el borde exterior del tubo portacables o tubería.

12. **Lance** — un solo doblez

13. **Resistencia al doblez** — la cantidad, medida en grados, que un tubo portacables o tubería tiende a enderezarse luego del doblez



14. **Codo** — lo mismo que elevación

15. **Codo hacia arriba** — lo mismo que elevación

Cómo realizar un doblado de 90° en un solo lance

1. Mida la longitud necesaria del codo.
2. Determine la longitud mínima del codo en la Tabla 2: Deducción, dimensiones del codo y distancia mínima desde el extremo del tubo portacables. El codo necesario debe ser igual o más largo que la longitud mínima del codo.
3. Mida y marque la longitud del codo en el tubo portacables. Ésta es la Marca 1.
4. Determine la Deducción en la Tabla 2. Reste la Deducción de la Marca 1 y haga una nueva marca. Ésta es la Marca 2 o la marca de doblado. En la Tabla 2, encuentre la distancia mínima desde el extremo del tubo portacables; cerciórese de que la Marca 2 se encuentre al menos a esta distancia del extremo del tubo portacables.
5. Alinee la Marca 2 con el borde exterior de la silla. Doble el tubo portacables, consulte las instrucciones bajo el título "Instrucciones de ensamblaje y operación".

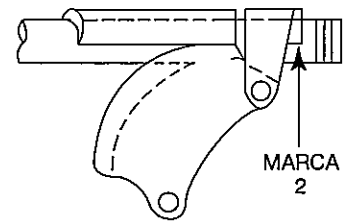
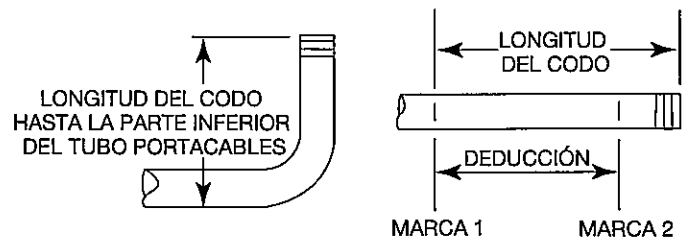


Tabla 2 – Deducción, dimensiones del codo y distancia mínima desde el extremo del tubo portacables

DIÁMETRO DEL TUBO PORTACABLES →	2-1/2	3	3-1/2	4
EMT				
Deducción	21-1/2	24	27-3/4	32-1/4
Longitud mínima del codo	24	27	31-1/4	36-1/4
Distancia mínima desde el extremo del tubo portacables	2-1/2	3	3-1/2	4
IMC-RIGID				
Deducción	21-1/2	24-1/4	28-1/4	32-1/2
Longitud mínima del codo	24	26-3/4	30-3/4	35
Distancia mínima desde el extremo del tubo portacables	2-1/2	2-1/2	2-1/2	2-1/2

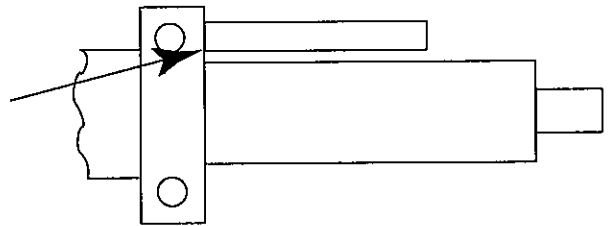
Tabla 3 – Carrera del pistón

(Las cifras son aproximadas)

Carrera del pistón: Lea la escala en el borde del bloque.

Aviso: Se debe poner en cero la escala del pistón

Aviso: Calibre la dobladora antes de realizar un doblez: Ajuste la dobladora avanzando el pistón hasta que la zapata, el tubo portacables y la barra seguidora queden en contacto estrecho. (No comprima la pieza ni comience a doblarla). Pare la bomba. Compare la lectura en la escala con la columna apropiada Snug-Up 0° (Ajuste 0°) en las tablas de carrera de pistón. Registre cualquier variación si la hubiera. Incorpore esta variación en las mediciones de carrera del pistón que se utilicen para doblar el mismo tipo y diámetro de tubo portacables.



Grado de doblez	EMT					
	2-1/2 (90°)	3 (90°)	3-1/2 (90°)	4 (90°)	3-1/2 (45°)	4 (45°)
Ajuste 0°	4-3/16	3-7/8	3-1/8	2-3/8	5	3-9/16
10°	5	4-15/16	4-1/8	3-1/4	6-5/8	5-1/8
15°	5-1/4	5-5/16	4-1/2	3-3/4	7-1/8	5-1/2
30°	6-3/16	6-5/16	5-1/2	4-13/16	8-13/16	6-3/8
45°	7-1/8	7-5/16	6-1/2	6	10-1/4	7-3/4
60°	8	8-3/8	7-1/2	7-1/4	Véase la Tabla 4	Véase la Tabla 4
90°	9-1/2	10-3/8	9-13/16	9-5/8	Véase la Tabla 4	Véase la Tabla 4

Grado de doblez	IMC					
	2-1/2 (90°)	3 (90°)	3-1/2 (90°)	4 (90°)	3-1/2 (45°)	4 (45°)
Ajuste 0°	2-7/8	2-1/4	2-1/16	1-7/16	5	2-3/8
10°	4	3-5/8	3-1/8	2-5/8	6-5/8	4-5/16
15°	4-7/16	4-1/16	3-9/16	3-1/4	7-1/8	4-15/16
30°	5-3/4	5-3/8	5-1/16	4-5/8	8-13/16	6-5/8
45°	7-3/16	6-15/16	6-7/16	6-1/4	10-1/4	8-1/2
60°	8-11/16	8-7/16	7-7/8	7-7/8	Véase la Tabla 4	Véase la Tabla 4
90°	11	11-5/8	10-7/8	11-1/8	Véase la Tabla 4	Véase la Tabla 4

Grado de doblez	RIGID					
	2-1/2 (90°)	3 (90°)	3-1/2 (90°)	4 (90°)	3-1/2 (45°)	4 (45°)
Ajuste 0°	2-7/8	2-1/4	2	1-5/16	4-5/8	2-1/8
10°	3-15/16	3-5/8	3	2-3/8	6-3/8	4-1/16
15°	4-3/8	4-1/16	3-1/2	3	6-13/16	4-3/4
30°	5-3/4	5-3/8	4-7/8	4-1/2	8-1/2	6-1/2
45°	7-1/8	6-15/16	6-1/4	6-1/8	10-1/8	8-1/4
60°	8-1/2	8-7/16	7-3/4	7-3/4	Véase la Tabla 4	Véase la Tabla 4
90°	11	11-5/8	10-3/4	11	Véase la Tabla 4	Véase la Tabla 4

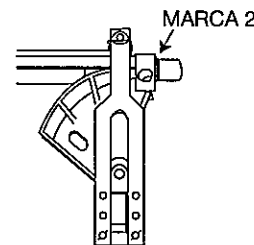
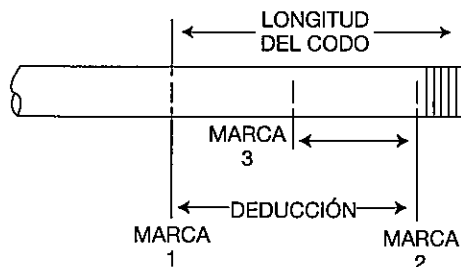
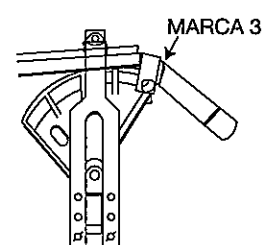
Tabla 4 — Cómo realizar un doblé de 90° en dos lances para tubo portacables de 3-1/2 pulgadas y 4 pulgadas (881 solamente)

1. Mida la longitud necesaria del codo.
 2. Determine la longitud mínima del codo en la Tabla 2: Dedución, dimensiones del codo y distancia mínima desde el extremo del tubo portacables. El codo necesario debe ser igual o más largo que la longitud mínima del codo.
 3. Mida y marque la longitud del codo en el tubo portacables. Ésta es la Marca 1.
 4. Determine la Dedución en la Tabla 2. Reste la Dedución de la Marca 1 y haga una nueva marca. Ésta es la Marca 2 o la primera marca de doblé. En la Tabla 2, encuentre la distancia mínima desde el extremo del tubo portacables; cerciórese de que la Marca 2 se encuentre al menos a esta distancia del extremo del tubo portacables.
 5. Mida y haga la Marca 3, o la segunda marca de doblé:
 - Para tubos portacables de 3-1/2 pulgadas, la Marca 3 debe estar a 368 mm (14-1/2 pulgadas) de la Marca 2.
 - Para tubos portacables de 4 pulgadas, la Marca 3 debe estar a 394 mm (15-1/2 pulgadas) de la Marca 2.
 6. Consulte las tablas y la figura "Primer doblé" en esta página. Utilizando la cantidad sugerida de carrera de pistón, alinee la Marca 2 con el borde exterior de la silla y doble el tubo portacables.
 7. Alinee la Marca 3 con el exterior de la silla.
- Aviso: Una porción del doblé anterior quedará dentro de la zapata.*
8. Doble el tubo portacables hasta completar el doblé de 90°.

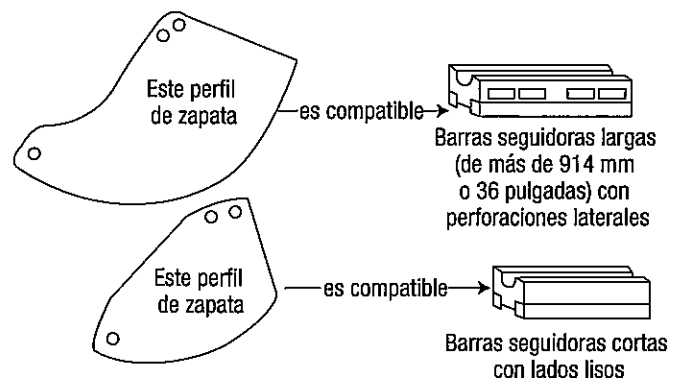
EMT	DIÁMETRO DEL TUBO PORTACABLES	PRIMER DOBLÉ	90°
CARRERA	3-1/2	10-3/16	9-3/4
DEL PISTÓN	4	8-3/16	8-3/16

IMC	DIÁMETRO DEL TUBO PORTACABLES	PRIMER DOBLÉ	90°
CARRERA	3-1/2	11-1/4	10-11/16
DEL PISTÓN	4	9	9-1/16

RIGID	DIÁMETRO DEL TUBO PORTACABLES	PRIMER DOBLÉ	90°
CARRERA	3-1/2	11-1/8	10-1/2
DEL PISTÓN	4	8-5/16	8-7/8

PRIMER DOBLÉ

SEGUNDO DOBLÉ

IMPORTANTE

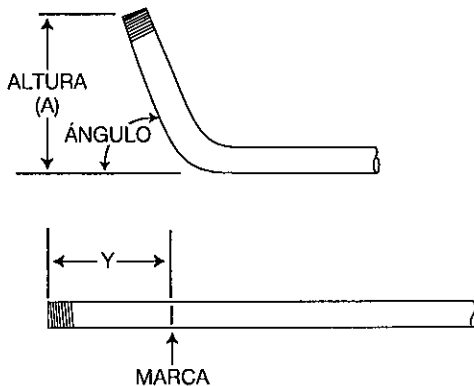
Las zapatas y barras seguidoras de 45° en dos lances no son intercambiables con las barras seguidoras y zapatas de 90° en un lance. Véase la ilustración abajo.



Cómo realizar dobleces

Las siguientes ilustraciones y tablas de doblado tienen como finalidad proporcionar la información necesaria para obtener los tipos de dobleces más comunes. La "Tabla de información sobre dobleces especiales" contiene mediciones exactas para los dobleces necesarios más frecuentemente.

Codos



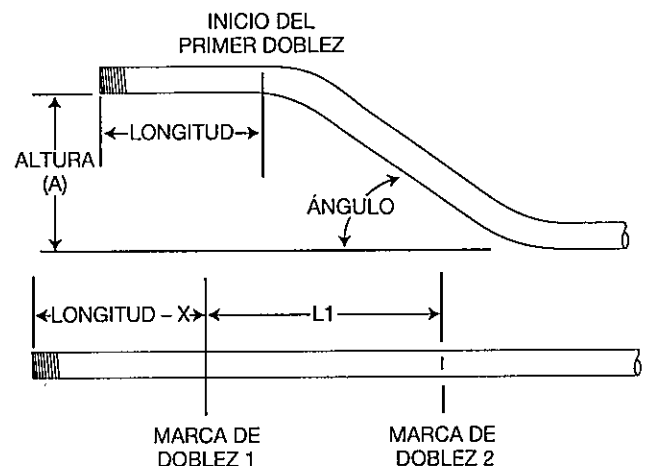
1. Seleccione el diámetro y tipo de tubo portacables. Determine la altura del codo y el ángulo de doblez.
2. Encuentre la tabla que corresponda al diámetro y tipo de tubo portacables seleccionado en el Paso 1.
3. Bajo la columna titulada **ÁNGULO**, encuentre el ángulo del doblez.
4. Encuentre la fila titulada **Y**. En la fila de la parte superior de la página, encuentre la altura (A) del codo.
5. El número mostrado donde se intersectan la fila **Y** y la columna **A** apropiada es la distancia **Y**. Coloque la marca de doblez a **Y** milímetros del extremo del tubo portacables.
6. Doble el tubo portacables.

Desviaciones

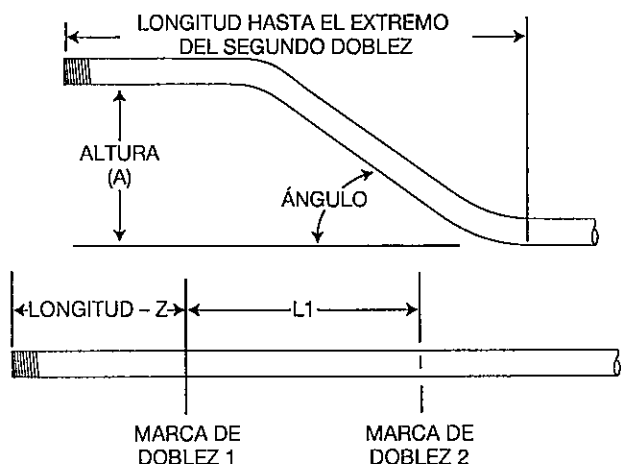
Se utiliza una desviación para enrutar el tubo portacables alrededor de un obstáculo. Para realizar una desviación, se requieren dos dobleces iguales. La distancia entre dos dobleces es la distancia centro a centro. Ésta se representa en las tablas de doblado por medio de **L1**.

Al sobrepasar un obstáculo, será necesario determinar la ubicación del primer doblez. Entonces, se utiliza la distancia centro a centro para determinar la ubicación del segundo doblez. Consulte "Desviaciones: cómo sobrepasar un obstáculo". Al avanzar hacia un obstáculo, será necesario determinar la ubicación del segundo doblez. Entonces, se utiliza la distancia centro a centro para determinar la ubicación del primer doblez. Consulte "Desviaciones: cómo avanzar hacia un obstáculo"

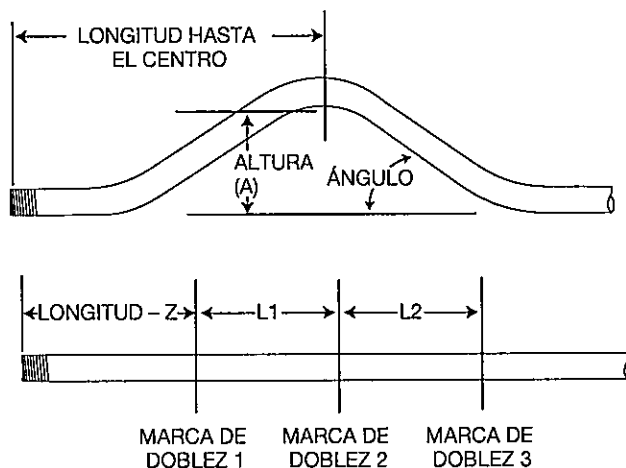
Desviaciones: cómo sobrepasar un obstáculo



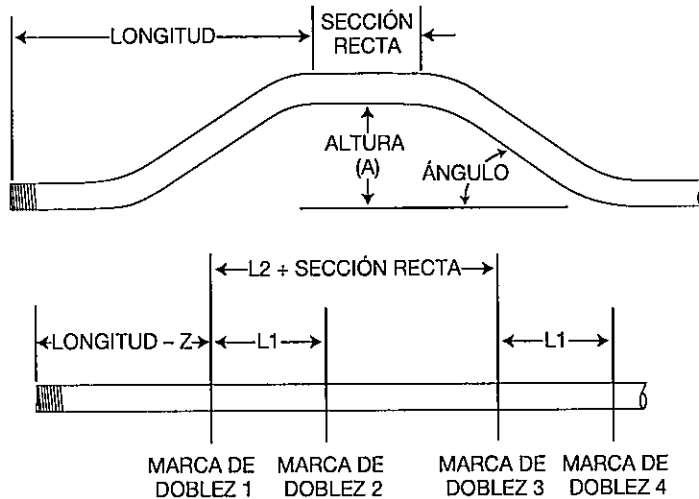
1. Seleccione el diámetro y tipo de tubo portacables. Mida la altura del obstáculo y la distancia titulada **LONGITUD**. Seleccione el ángulo que se va a utilizar.
2. Encuentre la tabla que corresponda al diámetro y tipo de tubo portacables seleccionado en el Paso 1.
3. A la derecha del diámetro y tipo de tubo portacables, encuentre la dimensión titulada **X**. Reste **X** de **LONGITUD**. Coloque la primera marca de doblez a esta distancia del extremo del tubo portacables.
4. Bajo la columna titulada **ÁNGULO**, encuentre el ángulo del doblez. Encuentre la fila titulada **L1**. En la fila de la parte superior de la página, encuentre la altura (A) de la desviación.
5. El número mostrado donde se intersectan la fila **L1** y la columna **A** apropiada es **L1**. Coloque la segunda marca de doblez a **L1** milímetros de la primera marca de doblez.
6. Doble el tubo portacables.

Cómo realizar dobleces (continuación)
Desviaciones: cómo avanzar hacia un obstáculo


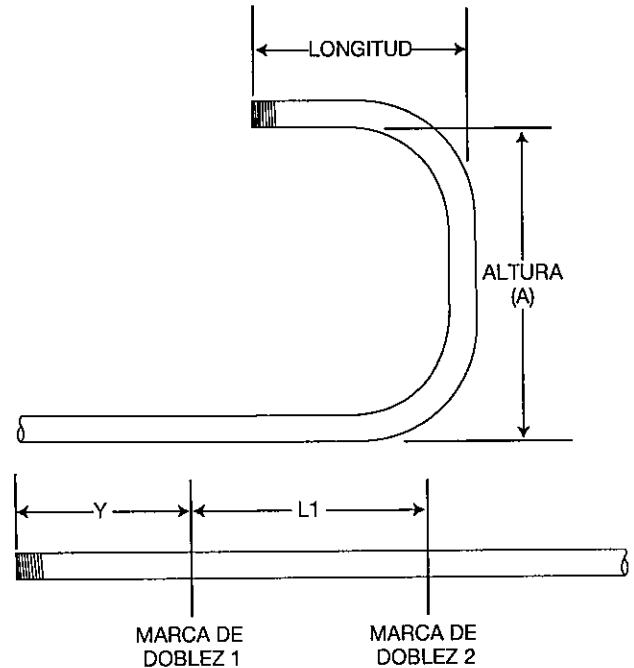
1. Seleccione el diámetro y tipo de tubo portacables. Mida la altura del obstáculo y la distancia titulada LONGITUD HASTA EL EXTREMO DEL SEGUNDO DOBLEZ. Seleccione el ángulo que se va a utilizar.
2. Encuentre la tabla que corresponda al diámetro y tipo de tubo portacables seleccionado en el Paso 1.
3. Bajo la columna titulada **ÁNGULO**, encuentre el ángulo del doblez. Encuentre la fila titulada Z. En la fila de la parte superior de la página, encuentre la altura (A) de la desviación.
4. El número mostrado donde se intersectan la fila Z y la columna A es Z. Reste Z de la LONGITUD HASTA EL EXTREMO DEL SEGUNDO DOBLEZ. Coloque la primera marca de doblez a esta distancia del extremo del tubo portacables.
5. En la misma columna, encuentre la fila titulada L1. Coloque la segunda marca de doblez a L1 milímetros de la primera marca de doblez.
6. Doble el tubo portacables.

Silla de tres dobleces


1. Seleccione el diámetro y tipo de tubo portacables. Mida la altura del obstáculo y la distancia desde el extremo del tubo portacables al centro (LONGITUD HASTA EL CENTRO) del doblez. Seleccione el ángulo que se va a utilizar.
Aviso: El segundo ángulo de doblez será el doble del número de grados que el primero y el tercer doblez.
2. Encuentre la tabla que corresponda al diámetro y tipo de tubo portacables seleccionado en el Paso 1.
3. Bajo la columna titulada **ÁNGULO**, encuentre el ángulo del doblez necesario. Encuentre la fila titulada Z. En la fila de la parte superior de la página, encuentre la altura (A) de la desviación.
4. El número mostrado donde se intersectan la fila Z y la columna A apropiada es Z. Reste Z de LONGITUD HASTA EL CENTRO. Coloque la primera marca de doblez a esta distancia del extremo del tubo portacables.
5. En la misma columna, encuentre la fila titulada L1. Coloque la segunda marca de doblez a L1 milímetros de la primera marca de doblez.
6. En la misma columna, encuentre la fila titulada L2. Coloque la tercera marca de doblez a L2 milímetros de la segunda marca de doblez.
7. Doble el tubo portacables.

Cómo realizar dobleces (continuación)
Silla de cuatro dobleces


1. Seleccione el diámetro y tipo de tubo portacables. Mida la altura del obstáculo, la distancia titulada LONGITUD, y la distancia titulada SECCIÓN RECTA. Seleccione el ángulo que se va a utilizar.
2. Encuentre la tabla que corresponda al diámetro y tipo de tubo portacables seleccionado en el Paso 1.
3. Bajo la columna titulada ÁNGULO, encuentre el ángulo del doblez necesario. Encuentre la fila titulada Z. En la fila de la parte superior de la página, encuentre la altura (A) de la desviación.
4. El número que se muestra es Z. Reste Z de la LONGITUD. Coloque la primera marca de doblez a esta distancia del extremo del tubo portacables.
5. En la misma columna, encuentre la fila titulada L1. Coloque la segunda marca de doblez a L1 milímetros de la primera marca de doblez.
6. En la misma columna, encuentre la fila titulada L2. Añada L2 a la SECCIÓN RECTA. Coloque la tercera marca de doblez a esta distancia de la primera marca de doblez.
7. Coloque la última marca de doblez a L1 milímetros de la tercera marca de doblez.
8. Doble el tubo portacables.

Dobleces en U


1. Seleccione el diámetro y tipo de tubo portacables. Determine la LONGITUD y la ALTURA.
2. Encuentre la tabla que corresponda al diámetro y tipo de tubo portacables seleccionado en el Paso 1.
3. Bajo la columna titulada ÁNGULO, encuentre 90°.
4. Encuentre la fila titulada Y. En la fila de la parte superior de la página, encuentre la altura (A) que corresponde a la LONGITUD.
5. El número mostrado donde se intersectan la fila Y y la columna A apropiada es la distancia Y. Coloque la marca de doblez a Y milímetros del extremo del tubo portacables.
6. Encuentre la fila titulada L1; luego vaya a la derecha y encuentre la altura (A) que corresponde a la ALTURA.
7. El número mostrado donde se intersectan la fila L1 y la columna A apropiada es L1. Coloque la segunda marca de doblez a L1 milímetros de la primera marca.
8. Doble el tubo portacables.

Tabla de información sobre dobleces especiales

DIM.	ÁNGULO	ALTURA - A										
		10"	12"	15"	18"	24"	30"	36"	42"	48"	60"	
EMT de 2-1/2 pulg.		Diám. = 2,875		Radio = 13,9		x = 6,15						
Y	15,00	25,10	32,83	44,42	56,01	79,19	102,38	125,56	148,74	171,92	218,29	
L1	15,00	38,62	46,34	57,93	69,53	92,71	115,89	139,07	162,25	185,44	231,80	
L2	15,00	42,26	49,98	61,57	73,16	96,35	119,53	142,71	165,89	189,08	235,44	
Z	15,00	47,13	54,59	65,79	76,99	99,38	121,77	144,16	166,56	188,95	233,73	
ALTURA MÍNIMA = 2,54												
Y	22,50	13,46	18,69	26,53	34,37	50,04	65,72	81,40	97,08	112,76	144,12	
L1	22,50	26,06	31,29	39,13	46,97	62,64	78,32	94,00	109,68	125,36	156,72	
L2	22,50	31,52	36,74	44,58	52,42	68,10	83,78	99,46	115,14	130,82	162,17	
Z	22,50	35,82	40,65	47,89	55,14	69,62	84,11	98,59	113,08	127,56	156,53	
ALTURA MÍNIMA = 4,47												
Y	30,00	7,25	11,25	17,25	23,25	35,25	47,25	59,25	71,25	83,25	107,25	
L1	30,00	19,83	23,83	29,83	35,83	47,83	59,83	71,83	83,83	95,83	119,83	
L2	30,00	27,11	31,11	37,11	43,11	55,11	67,11	79,11	91,11	103,11	127,11	
Z	30,00	30,92	34,38	39,58	44,78	55,17	65,56	75,95	86,35	96,74	117,52	
ALTURA MÍNIMA = 6,80												
Y	45,00		3,03	7,27	11,52	20,00	28,49	36,97	45,46	53,94	70,91	
L1	45,00		16,37	20,62	24,86	33,34	41,83	50,31	58,80	67,28	84,25	
L2	45,00		27,29	31,53	35,77	44,26	52,75	61,23	69,72	78,20	95,17	
Z	45,00		29,67	32,67	35,67	41,67	47,67	53,67	56,67	65,67	77,67	
ALTURA MÍNIMA = 12,49												
Y	60,00			1,49	4,95	11,88	18,81	25,73	32,66	39,59	53,45	
L1	60,00					26,22	33,15	40,07	47,00	53,93	67,79	
L2	60,00					40,77	47,70	54,63	61,56	68,49	82,34	
Z	60,00					36,06	39,52	42,98	46,45	49,91	56,84	
ALTURA MÍNIMA = 19,23												
Y	90,00					2,51	8,51	14,51	20,51	26,51	38,51	
L1	90,00							30,03	36,03	42,03	54,03	
L2	90,00							51,87	57,87	63,87	75,87	
Z	90,00							33,95	33,95	33,95	33,95	
ALTURA MÍNIMA = 33,95												
EMT de 3 pulg.		Diám. = 3,5		Radio = 16,48		x = 5,77						
Y	15,00	23,94	31,66	43,25	54,85	78,03	101,21	124,39	147,57	170,76	217,12	
L1	15,00	38,61	46,34	57,93	69,52	92,70	115,89	139,07	162,25	185,43	231,80	
L2	15,00	42,93	50,65	62,25	73,84	97,02	120,20	143,38	166,57	189,75	236,11	
Z	15,00	47,43	54,89	66,09	77,29	99,68	122,07	144,46	166,86	189,25	234,03	
ALTURA MÍNIMA = 2,62												
Y	22,50	12,51	17,74	25,58	33,42	49,09	64,77	80,45	96,13	111,81	143,17	
L1	22,50	26,05	31,27	39,11	46,95	62,63	78,31	93,99	109,67	125,35	156,70	
L2	22,50	32,52	37,74	45,58	53,42	69,10	84,78	100,46	116,14	131,82	163,17	
Z	22,50	36,47	41,30	48,54	55,78	70,27	84,75	99,24	113,72	128,21	157,18	
ALTURA MÍNIMA = 4,72												
Y	30,00	6,31	10,31	16,31	22,31	34,31	46,31	58,31	70,31	82,31	106,31	
L1	30,00	19,80	23,80	29,80	35,80	47,80	59,80	71,80	83,80	95,80	119,80	
L2	30,00	28,43	32,43	38,43	44,43	56,43	68,43	80,43	92,43	104,43	128,43	
Z	30,00	31,92	35,39	40,58	45,78	56,17	66,56	76,96	87,35	97,74	118,52	
ALTURA MÍNIMA = 7,30												
Y	45,00		1,90	6,14	10,38	18,87	27,36	35,84	44,33	52,81	69,78	
L1	45,00			20,50	24,75	33,23	41,72	50,20	58,69	67,17	84,14	
L2	45,00			33,45	37,69	46,18	54,66	63,15	71,63	80,12	97,09	
Z	45,00			34,42	37,42	43,42	49,42	55,42	61,42	67,42	79,42	
ALTURA MÍNIMA = 13,73												
Y	60,00			0,02	3,48	10,41	17,34	24,26	31,19	38,12	51,98	
L1	60,00					25,94	32,87	39,80	46,73	53,66	67,51	
L2	60,00					43,20	50,13	57,06	63,98	70,91	84,77	
Z	60,00					38,66	42,12	45,58	49,05	52,51	59,44	
ALTURA MÍNIMA = 21,48												
Y	90,00					0,00	6,00	12,00	18,00	24,00	36,00	
L1	90,00								34,93	40,93	52,93	
L2	90,00								60,81	66,81	78,81	
Z	90,00								38,73	38,73	38,73	
ALTURA MÍNIMA = 38,73												

Tabla de información sobre dobleces especiales (continuación)

		ALTURA - A										
DIM.	ÁNGULO	10"	12"	15"	18"	24"	30"	36"	42"	48"	60"	
EMT de 3-1/2 pulg.		Diám. = 4 Radio = 19,18 x = 6,56										
Y	15,00	21,82	29,55	41,14	52,73	75,92	99,10	122,28	145,46	168,65	215,01	
L1	15,00	38,61	46,34	57,93	69,52	92,70	115,88	139,06	165,25	185,43	231,79	
L2	15,00	43,63	51,36	62,95	74,54	97,72	120,90	144,09	167,27	190,45	236,81	
Z	15,00	48,93	56,39	67,59	78,79	101,18	123,57	145,96	168,36	190,75	235,53	
ALTURA MÍNIMA = 3,00												
Y	22,50	10,53	15,76	23,60	31,43	47,11	62,79	78,47	94,15	109,83	141,19	
L1	22,50	26,03	31,26	39,10	46,94	62,62	78,30	93,97	109,65	125,33	156,69	
L2	22,50	33,56	38,79	46,63	54,47	70,15	85,83	101,51	117,18	132,86	164,22	
Z	22,50	38,33	43,16	50,40	57,65	72,13	86,62	101,10	115,59	130,37	159,04	
ALTURA MÍNIMA = 5,43												
Y	30,00	4,30	8,30	14,30	20,30	32,30	44,30	56,30	68,30	80,30	104,30	
L1	30,00	19,76	23,76	29,76	35,76	47,76	59,76	71,76	83,76	95,76	119,76	
L2	30,00	29,81	33,81	39,81	45,81	57,81	69,81	81,81	93,81	105,81	129,81	
Z	30,00	34,16	37,62	42,82	48,02	58,41	68,80	79,19	89,58	99,98	120,76	
ALTURA MÍNIMA = 8,42												
Y	45,00			3,88	8,12	16,61	25,09	33,58	42,06	50,55	67,52	
L1	45,00				24,63	33,12	41,60	50,09	58,57	67,06	84,03	
L2	45,00				39,69	48,18	56,67	65,15	73,64	82,12	99,09	
Z	45,00				40,45	46,45	52,45	58,45	64,45	70,45	82,45	
ALTURA MÍNIMA = 15,87												
Y	60,00				0,84	7,77	14,7	21,63	28,55	35,48	49,34	
L1	60,00						32,58	39,51	46,44	53,36	67,22	
L2	60,00						52,66	59,59	66,52	73,45	87,31	
Z	60,00						46,03	49,49	52,96	56,42	63,35	
ALTURA MÍNIMA = 24,86												
Y	90,00						2,26	8,26	14,26	20,26	32,26	
L1	90,00									39,77	51,77	
L2	90,00									69,90	81,90	
Z	90,00									44,92	44,92	
ALTURA MÍNIMA = 44,92												
EMT de 4 pulg.		Diám. = 4,5 Radio = 21,5 x = 8,5										
Y	15,00	18,61	26,34	37,93	49,52	72,71	95,89	119,07	142,25	165,43	211,80	
L1	15,00	38,60	46,33	57,92	69,51	92,70	115,88	139,06	162,24	185,43	231,79	
L2	15,00	44,23	51,96	63,55	75,14	98,33	121,51	144,69	167,87	191,05	237,42	
Z	15,00	51,48	58,95	70,14	81,34	103,73	126,12	148,51	170,91	193,30	238,08	
ALTURA MÍNIMA = 3,67												
Y	22,50	7,48	12,70	20,54	28,38	44,06	59,74	75,42	91,10	106,77	138,13	
L1	22,50	26,02	31,25	39,09	46,93	62,60	78,28	93,96	109,64	125,32	156,68	
L2	22,50	34,46	39,69	47,53	55,37	71,05	86,73	102,41	118,08	133,76	165,12	
Z	22,50	41,20	46,02	53,27	60,51	74,99	89,48	103,96	118,45	132,94	161,91	
ALTURA MÍNIMA = 6,53												
Y	30,00	1,24	5,24	11,24	17,24	29,24	41,24	53,24	65,24	77,24	101,24	
L1	30,00	19,74	23,74	29,74	35,74	47,74	59,74	71,74	83,74	95,74	119,74	
L2	30,00	30,99	34,99	40,99	46,99	58,99	70,99	82,99	94,99	106,99	130,99	
Z	30,00	37,34	40,81	46,00	51,20	61,59	71,98	82,38	92,77	103,16	123,94	
ALTURA MÍNIMA = 10,01												
Y	45,00			0,63	4,87	13,35	21,84	30,32	38,81	47,29	64,27	
L1	45,00					33,02	41,50	49,99	58,47	66,96	83,93	
L2	45,00					49,90	58,39	66,87	75,36	83,84	100,81	
Z	45,00					50,31	56,31	62,31	68,31	74,31	86,31	
ALTURA MÍNIMA = 18,60												
Y	60,00					4,20	11,13	18,06	24,99	31,91	45,77	
L1	60,00						32,33	39,26	46,19	53,11	66,97	
L2	60,00						54,84	61,77	68,70	75,63	89,49	
Z	60,00						50,65	54,11	57,57	61,04	67,97	
ALTURA MÍNIMA = 28,86												
Y	90,00						3,75	9,75	15,75	27,75	50,77	
L1	90,00										84,54	
L2	90,00										51,50	
Z	90,00											
ALTURA MÍNIMA = 51,5												

Tabla de información sobre dobleces especiales (continuación)

DIM.	ÁNGULO	ALTURA - A									
		10"	12"	15"	18"	24"	30"	36"	42"	48"	60"
IMC/RIGID de 2-1/2 pulg.		Diám. = 2,875		Radio = 13,9		x = 6,15					
Y	15,00	25,10	32,83	44,42	56,01	79,19	102,38	125,56	148,74	171,92	218,29
L1	15,00	38,62	46,34	57,93	69,53	92,71	115,89	139,07	162,25	185,44	231,80
L2	15,00	42,26	49,98	61,57	73,16	96,35	119,53	142,71	165,89	189,08	235,44
Z	15,00	47,13	54,59	65,79	76,99	99,38	121,77	144,16	166,56	188,95	233,73
ALTURA MÍNIMA = 2,54											
Y	22,50	13,46	18,69	26,53	34,37	50,04	65,72	81,40	97,08	112,76	144,12
L1	22,50	26,06	31,29	39,13	46,97	62,64	78,32	94,00	109,68	125,36	156,72
L2	22,50	31,52	36,74	44,58	52,42	68,10	83,78	99,46	115,14	130,82	162,17
Z	22,50	35,82	40,65	47,89	55,14	69,62	84,11	98,59	113,08	127,56	156,53
ALTURA MÍNIMA = 4,47											
Y	30,00	7,25	11,25	17,25	23,25	35,25	47,25	59,25	71,25	83,25	107,25
L1	30,00	19,83	23,83	29,83	35,83	47,83	59,83	71,83	83,83	95,83	119,83
L2	30,00	27,11	31,11	37,11	43,11	55,11	67,11	79,11	91,11	103,11	127,11
Z	30,00	30,92	34,38	39,58	44,78	55,17	65,56	75,95	86,35	96,74	117,52
ALTURA MÍNIMA = 6,80											
Y	45,00	0,20	3,03	7,27	11,52	20,00	28,49	36,97	45,46	53,94	70,91
L1	45,00			20,62	24,86	33,34	41,83	50,31	58,80	67,28	84,25
L2	45,00			31,53	35,77	44,26	52,75	61,23	69,72	78,20	95,17
Z	45,00			32,67	35,67	41,67	47,67	53,67	59,67	65,67	77,67
ALTURA MÍNIMA = 12,49											
Y	60,00			1,49	4,95	11,88	18,81	25,73	32,66	39,59	53,45
L1	60,00					26,22	33,15	40,07	47,00	53,93	67,79
L2	60,00					40,77	47,70	54,63	61,56	68,49	82,34
Z	60,00					36,06	39,52	42,98	46,45	49,91	56,84
ALTURA MÍNIMA = 19,23											
Y	90,00					2,51	8,51	14,51	20,51	26,51	38,51
L1	90,00							30,03	36,03	42,03	54,03
L2	90,00							51,87	57,87	63,87	75,87
Z	90,00							33,95	33,95	33,95	33,95
ALTURA MÍNIMA = 33,95											
IMC/RIGID de 3 pulg.		Diám. = 3,5		Radio = 16,48		x = 6					
Y	15,00	23,71	31,43	43,02	54,62	77,80	100,98	124,16	147,34	170,53	216,89
L1	15,00	38,61	46,34	57,93	69,52	92,70	115,89	139,07	162,25	185,43	231,80
L2	15,00	42,93	50,65	62,25	73,84	97,02	120,20	143,38	166,57	189,75	236,11
Z	15,00	47,66	55,12	66,32	77,52	99,91	122,30	144,69	167,09	189,48	234,26
ALTURA MÍNIMA = 2,68											
Y	22,50	12,28	17,51	25,35	33,19	48,86	64,54	80,22	95,90	111,58	142,94
L1	22,50	26,05	31,27	39,11	46,95	62,63	78,31	93,99	109,67	125,35	156,70
L2	22,50	32,52	37,74	45,58	53,42	69,10	84,78	100,46	116,14	131,82	163,17
Z	22,50	36,70	41,53	48,77	56,01	70,50	84,98	99,47	113,95	128,44	157,41
ALTURA MÍNIMA = 4,81											
Y	30,00	6,08	10,08	16,08	22,08	34,08	46,08	58,08	70,08	82,08	106,08
L1	30,00	19,80	23,80	29,80	35,80	47,80	59,80	71,80	83,80	95,80	119,80
L2	30,00	28,43	32,43	38,43	44,43	56,43	68,43	80,43	92,43	104,43	128,43
Z	30,00	32,15	35,62	40,81	46,01	56,40	66,79	77,19	87,58	97,97	118,75
ALTURA MÍNIMA = 7,42											
Y	45,00		1,67	5,91	10,15	18,64	27,13	35,61	44,10	52,58	69,55
L1	45,00			20,50	24,75	33,23	41,72	50,20	58,69	67,17	84,14
L2	45,00			33,45	37,69	46,18	54,66	63,15	71,63	80,12	97,09
Z	45,00			34,65	37,65	43,65	49,65	55,65	61,65	67,65	79,65
ALTURA MÍNIMA = 13,90											
Y	60,00				3,25	10,18	17,11	24,03	30,96	37,89	51,75
L1	60,00					25,94	32,87	39,80	46,73	53,65	67,51
L2	60,00					43,20	50,13	57,06	63,98	70,91	84,77
Z	60,00					38,89	42,35	45,81	49,28	52,74	59,67
ALTURA MÍNIMA = 21,68											
Y	90,00						5,77	11,77	17,77	23,77	35,77
L1	90,00							34,93	40,93	46,93	52,93
L2	90,00							60,81	66,81	72,81	78,81
Z	90,00							38,96	38,96	38,96	38,96
ALTURA MÍNIMA = 38,96											

Tabla de información sobre dobleces especiales (continuación)

		ALTURA - A										
DIM.	ÁNGULO	10"	12"	15"	18"	24"	30"	36"	42"	48"	60"	
IMC/RIGID de 3-1/2 pulg.		Diám. = 4 Radio = 19,18 x = 7										
Y	15,00	21,38	29,11	40,70	52,29	75,48	98,66	121,84	145,02	168,21	214,57	
L1	15,00	38,61	46,34	57,93	69,52	92,70	115,88	139,06	162,25	185,43	231,79	
L2	15,00	43,63	51,36	62,95	74,54	97,72	120,90	144,09	167,27	190,45	236,81	
Z	15,00	49,37	56,83	68,03	79,23	101,62	124,01	146,40	168,80	191,19	235,97	
ALTURA MÍNIMA = 3,12												
Y	22,50	10,09	15,32	23,16	30,99	46,67	62,35	78,03	93,71	109,39	140,75	
L1	22,50	26,03	31,26	39,10	46,94	62,62	78,30	93,97	109,65	125,33	156,69	
L2	22,50	33,56	38,79	46,63	54,47	70,15	85,83	101,51	117,18	132,86	164,22	
Z	22,50	38,77	43,60	50,84	58,09	72,57	87,06	101,54	116,03	130,51	159,48	
ALTURA MÍNIMA = 5,60												
Y	30,00	3,86	7,86	13,86	19,86	31,86	43,86	55,86	67,86	79,86	103,86	
L1	30,00	19,76	23,76	29,76	35,76	47,76	59,76	71,76	83,76	95,76	119,76	
L2	30,00	29,91	33,81	39,81	45,81	57,81	69,81	81,81	93,81	105,81	129,81	
Z	30,00	34,60	38,06	43,26	48,46	58,85	69,24	79,63	90,02	100,42	121,20	
ALTURA MÍNIMA = 8,64												
Y	45,00			3,44	7,68	16,17	24,65	33,14	41,62	50,11	67,08	
L1	45,00				24,63	33,12	41,60	50,09	58,57	67,06	84,03	
L2	45,00				39,69	48,18	56,67	65,15	73,64	82,12	99,09	
Z	45,00				40,89	46,89	52,89	58,89	64,89	70,89	82,89	
ALTURA MÍNIMA = 16,19												
Y	60,00				0,40	7,33	14,26	21,19	28,11	35,04	48,90	
L1	60,00						32,58	39,51	46,44	53,36	67,22	
L2	60,00						52,66	59,59	66,52	73,45	87,31	
Z	60,00						46,47	49,93	53,40	56,86	63,79	
ALTURA MÍNIMA = 25,24												
Y	90,00						1,82	7,82	13,82	19,82	31,82	
L1	90,00									39,77	51,77	
L2	90,00									69,90	81,90	
Z	90,00									45,36	45,36	
ALTURA MÍNIMA = 45,36												
IMC/RIGID de 4 pulg.		Diám. = 4,5 Radio = 21,5 x = 8,75										
Y	15,00	18,36	26,09	37,68	49,27	72,46	95,64	118,82	142,00	165,18	211,55	
L1	15,00	38,60	46,33	57,92	69,51	92,70	115,88	139,06	162,24	185,43	231,79	
L2	15,00	44,23	51,96	63,55	75,14	98,33	121,51	144,69	167,87	191,05	237,42	
Z	15,00	51,73	59,20	70,39	81,59	103,98	126,37	148,76	171,16	193,55	238,33	
ALTURA MÍNIMA = 3,73												
Y	22,50	7,23	12,45	20,29	28,13	43,81	59,49	75,17	90,85	106,52	137,88	
L1	22,50	26,02	31,25	39,09	46,93	62,60	78,28	93,96	109,64	125,32	156,68	
L2	22,50	34,46	39,69	47,53	55,37	71,05	86,73	102,41	118,08	133,76	165,12	
Z	22,50	41,45	46,27	53,52	60,76	75,24	89,73	104,21	118,70	133,19	162,16	
ALTURA MÍNIMA = 6,62												
Y	30,00	0,99	4,99	10,99	16,99	28,99	40,99	52,99	64,99	76,99	100,99	
L1	30,00		23,74	29,74	35,74	47,74	59,74	71,74	83,74	95,74	119,74	
L2	30,00		34,99	40,99	46,99	58,99	70,99	82,99	94,99	106,99	130,99	
Z	30,00		41,06	46,25	51,45	61,84	72,23	82,63	93,02	103,41	124,19	
ALTURA MÍNIMA = 10,13591												
Y	45,00			0,38	4,62	13,10	21,59	30,07	38,56	47,04	64,02	
L1	45,00					33,02	41,50	49,99	58,47	66,96	83,93	
L2	45,00					49,90	58,39	66,87	75,36	83,84	100,81	
Z	45,00					50,56	56,56	62,56	68,56	74,56	86,56	
ALTURA MÍNIMA = 18,78												
Y	60,00					3,95	10,88	17,81	24,74	31,66	45,52	
L1	60,00						32,33	39,26	46,19	53,11	66,97	
L2	60,00						54,84	61,77	68,70	75,63	89,49	
Z	60,00						50,90	54,36	57,82	61,29	68,22	
ALTURA MÍNIMA = 29,08												
Y	90,00							3,50	9,50	15,50	27,50	
L1	90,00										50,77	
L2	90,00										84,54	
Z	90,00										51,75	
ALTURA MÍNIMA = 51,75												

Solución de problemas

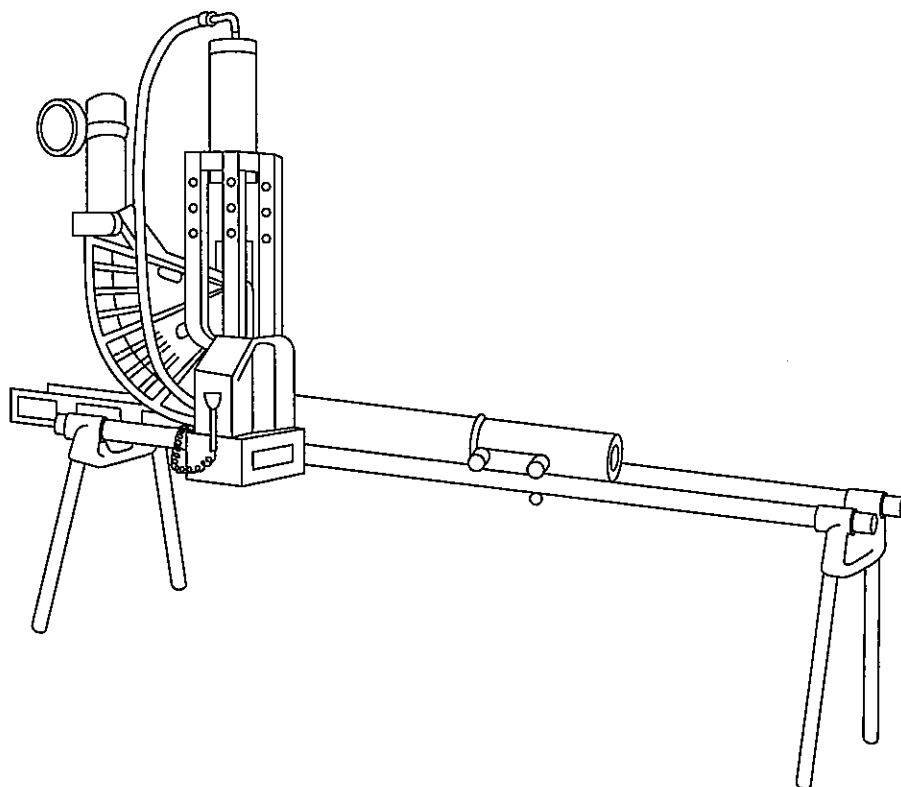
Problema	Causa probable	Posible solución
Arrugamiento del EMT.	La clavija de la zapata está en la posición errónea.	Mueva la clavija de la zapata hasta el orificio marcado EMT.
	La barra seguidora está invertida.	Retire la barra seguidora e introduzca el extremo marcado START en dirección a la silla.
	Las superficies de contacto entre la zapata y la barra seguidora están dañadas o tienen residuos.	Limpie la zapata y la barra seguidora. Sustituya la zapata o la barra seguidora según sea necesario.
	La barra seguidora no está colocada a menos de 25,4 mm de la silla al iniciar el doblado.	Coloque la barra seguidora según las instrucciones de doblado.
	La barra seguidora no está centrada en el rodillo al iniciar el doblado.	Centre la barra seguidora en el rodillo.
	Los canales en la zapata o en la barra seguidora están gastados o deformados.	Sustituya la zapata o la barra seguidora.
	El rodillo no gira en el eje.	Lubrique el rodillo.
Pliegues laterales del EMT.	Tubo portacables de alta resistencia a la fluencia.	Use EMT estándar.
	La barra seguidora no está centrada en el rodillo al iniciar el doblado.	Centre la barra seguidora en el rodillo.
	El tubo portacables no está a nivel (al realizar dobleces en el piso).	Nivele el tubo portacables.
	Las superficies de contacto entre la zapata y la barra seguidora están dañadas o tienen residuos.	Limpie la zapata y la barra seguidora. Sustituya la zapata o la barra seguidora según sea necesario.
	La unidad de prensa para tubos del modelo 1813 está sujeta con abrazaderas demasiado cerca de la dobladora.	Aleje de la dobladora la prensa para tubos.
No dobla EMT.	El canal de la barra seguidora está gastado o deformado.	Sustituya la barra seguidora.
	La barra seguidora está invertida.	Retire la barra seguidora e introduzca el extremo marcado START en dirección a la silla.
Arrugamiento del IMC o Rígido.	La barra seguidora está invertida.	Retire la barra seguidora e introduzca el extremo marcado START en dirección a la silla.
Pliegues laterales de IMC o Rígido.	El tubo portacables no está a nivel (al realizar dobleces en el piso).	Nivele el tubo portacables.
	La barra seguidora no está centrada en el rodillo al iniciar el doblado.	Centre la barra seguidora en el rodillo.
No dobla IMC o Rígido.	La clavija de la zapata está en la posición errónea.	Mueva la clavija de la zapata hasta el orificio marcado IMC/RIGID.
	La barra seguidora está invertida.	Retire la barra seguidora e introduzca el extremo marcado START en dirección a la silla.
El pistón no avanza.	La bomba no tiene suficiente aceite.	Agregue aceite. Consulte las instrucciones suministradas con la bomba.
	La ventilación de la bomba está cerrada.	Abra los orificios de ventilación de la bomba.
	Los acoples de manguera no están completamente apretados.	Apriete los acoples de manguera.
	La caída de voltaje es excesiva debido a la longitud excesiva del cordón eléctrico.	Use una extensión eléctrica más corta o de mayor calibre.

MANUEL D'INSTRUCTIONS



GREENLEE®

A Textron Company



Cintreuses hydrauliques Cam Track® 881 et 881CT et Table de cintrage 1813



Nous vous conseillons de **lire attentivement** et de **bien comprendre** les instructions suivantes avant d'utiliser ou de procéder à l'entretien de cet outil.

Enregistrez votre produit en ligne, www.greenlee.com

Table des matières

Description	66
Sécurité	66
Objet de ce manuel	66
Informations de sécurité importantes.....	67–68
Identification — Éléments principaux.....	69
Instructions d'assemblage et d'utilisation.....	70–84
881 et 881CT — Utilisation sur le sol	70–73
881 and 881CT avec table de cintrage 1813.....	74–84
Glossaire des termes de cintrage.....	85
Préparer des cintrages à 90° en un coup.....	86
Table 2 — Déduction, dimensions de colonne montante et distance minimale depuis l'extrémité du conduit.....	86
Table 3 — Course du vérin	87
Table 4 — Préparer des cintrages à 90° en deux coups pour conduit de 3-1/2 po et 4 po (881 seulement)	88
Préparation des cintrages	89–91
Colonnes montantes.....	89
Déalages	89–90
Dos d'ânes.....	90–91
Cintrages en U	91
Table de données de cintrage spéciales	92–95
Dépannage	96
Illustrations et Nomenclatures des pièces	97–104

Description

Les cintreuses hydrauliques Cam Track® 881 et 881CT sont conçues pour le cintrage de conduits rigides, IMC (conduits métalliques intermédiaires), EMT (conduits métalliques électriques) et tuyaux de nomenclature 40. Des sabots de cintrage, rails suiveurs et étriers sont proposés pour le cintrage de conduits ou tuyaux de 2,5 po à 4 po.

La cintreuse doit être accouplée à toute pompe hydraulique Greenlee capable de produire 10 000 psi et d'un volume de liquide utile de 6 litres ou plus. Les modèles de pompe suggérés sont notamment les suivants :

- Pompe électrique (120 V) : 960 SAPS, 980
- Pompe électrique (220 V) : 980-22FS, 980-22PS

Sécurité

Lors de l'utilisation et de l'entretien des outils et de l'équipement de Greenlee, votre sécurité est une priorité. En suivant les instructions de ce manuel et celles inscrites sur l'outil, vous pourrez éliminer les risques et les dangers liés à son utilisation. Respectez toutes les consignes de sécurité.

Objet de ce manuel

Ce manuel d'instructions a pour objet de familiariser les utilisateurs et le personnel d'entretien avec les procédures préconisées pour une utilisation et un entretien sans danger des cintreuses hydrauliques Cam Track® 881 et 881CT de Greenlee.

Mettez ce manuel à la disposition de tous les employés.

On peut obtenir des exemplaires gratuits sur simple demande www.greenlee.com.

Toutes les spécifications sont nominales et peuvent changer avec l'amélioration de la conception. Greenlee Textron ne peut être tenue responsable des dommages résultant d'une application inappropriée ou d'un mauvais usage de ses produits.

Cam Track est une marque déposée de Greenlee Textron Inc.

CONSERVEZ CE MANUEL

CONSIGNES DE SÉCURITÉ IMPORTANTES



**SYMBOLE
D'AVERTISSEMENT**

Ce symbole met en garde contre les risques et les manipulations dangereuses pouvant entraîner des blessures ou l'endommagement du matériel. Le mot indicateur, défini ci-dessous, indique la gravité du danger. Le message qui suit le mot indicateur indique comment empêcher le danger.

⚠ DANGER

Danger immédiat qui, s'il n'est pas pris en considération ENTRAÎNERA des blessures graves, voire mortelles.

⚠ AVERTISSEMENT

Danger qui, s'il n'est pas pris en considération, POURRAIT entraîner des blessures graves, voire mortelles.

⚠ ATTENTION

Dangers ou manipulations dangereuses qui, s'ils ne sont pas pris en considération, POURRAIENT EVENTUELLEMENT entraîner des dommages à la propriété ou causer des blessures.

⚠ AVERTISSEMENT

Utiliser exclusivement des sabots et autres pièces Greenlee avec cette cintreuse. Les sabots et pièces d'autres marques peuvent subir une défaillance durant la marche et projeter des pièces cassées avec une très grande force.

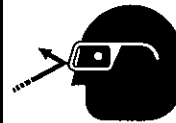
Le non-respect de cette mise en garde peut entraîner des blessures graves ou la mort.



⚠ AVERTISSEMENT

Points de pincement :

Pour écarter les risques de blessures graves, tenir les mains à l'écart du sabot de cintrage, du rail suiveur, de l'étrier, du conduit et autres pièces mobiles durant l'utilisation de la cintreuse.



⚠ AVERTISSEMENT

Porter une protection oculaire durant l'utilisation de la cintreuse.

L'absence de protection oculaire peut entraîner des lésions oculaires graves causées par des projections de débris ou de liquide hydraulique.



⚠ AVERTISSEMENT

Nous vous conseillons de lire attentivement et de bien comprendre les instructions suivantes avant d'utiliser ou de procéder à l'entretien de cet outil.

Le non-respect de cette mise en garde peut entraîner des blessures graves ou la mort.

CONSIGNES DE SÉCURITÉ IMPORTANTES

⚠AVERTISSEMENT

Ne pas porter des vêtements lâches lors de l'utilisation de la machine. Les vêtements lâches peuvent se prendre dans les pièces en mouvement. Le non-respect de cette mise en garde peut entraîner des blessures graves.

⚠AVERTISSEMENT

Ne pas se tenir directement en face du vérin hydraulique. Une défaillance du système peut projeter des pièces avec force et frapper les personnes présentes. Le non-respect de cette mise en garde peut entraîner des blessures graves ou la mort.

⚠AVERTISSEMENT

Ne pas se tenir directement en face du rail suiveur. Une défaillance du système peut projeter le rail suiveur avec force et frapper les personnes présentes. Le non-respect de cette mise en garde peut entraîner des blessures graves ou la mort.

⚠ATTENTION

Contrôler la cintreuse, la pompe et le flexible hydraulique avant chaque utilisation. Remplacer les pièces endommagées, usées ou manquantes par des pièces de rechange Greenlee ; un organe endommagé ou usé peut subir une défaillance et frapper les personnes présentes.

⚠ATTENTION

En raison de leur poids, le levage et l'assemblage de certains accessoires et pièces de la cintreuse nécessite plus d'une personne. Le non-respect de cette précaution peut entraîner des blessures ou des dégâts matériels.

IMPORTANT

Vérifier que tous les raccords de flexible sont correctement engagés avant de commencer un cintrage. De mauvais raccordements peuvent empêcher le retrait du vérin une fois que le cintrage est effectué.

IMPORTANT

Suivre les instructions et les mesures de sécurité fournies avec la pompe hydraulique.

Remarque : Conserver toutes les décalcomanies dans un état propre et lisible et les remplacer au besoin.

Identification – Éléments principaux

Cintreuses hydrauliques 881 et 881CT

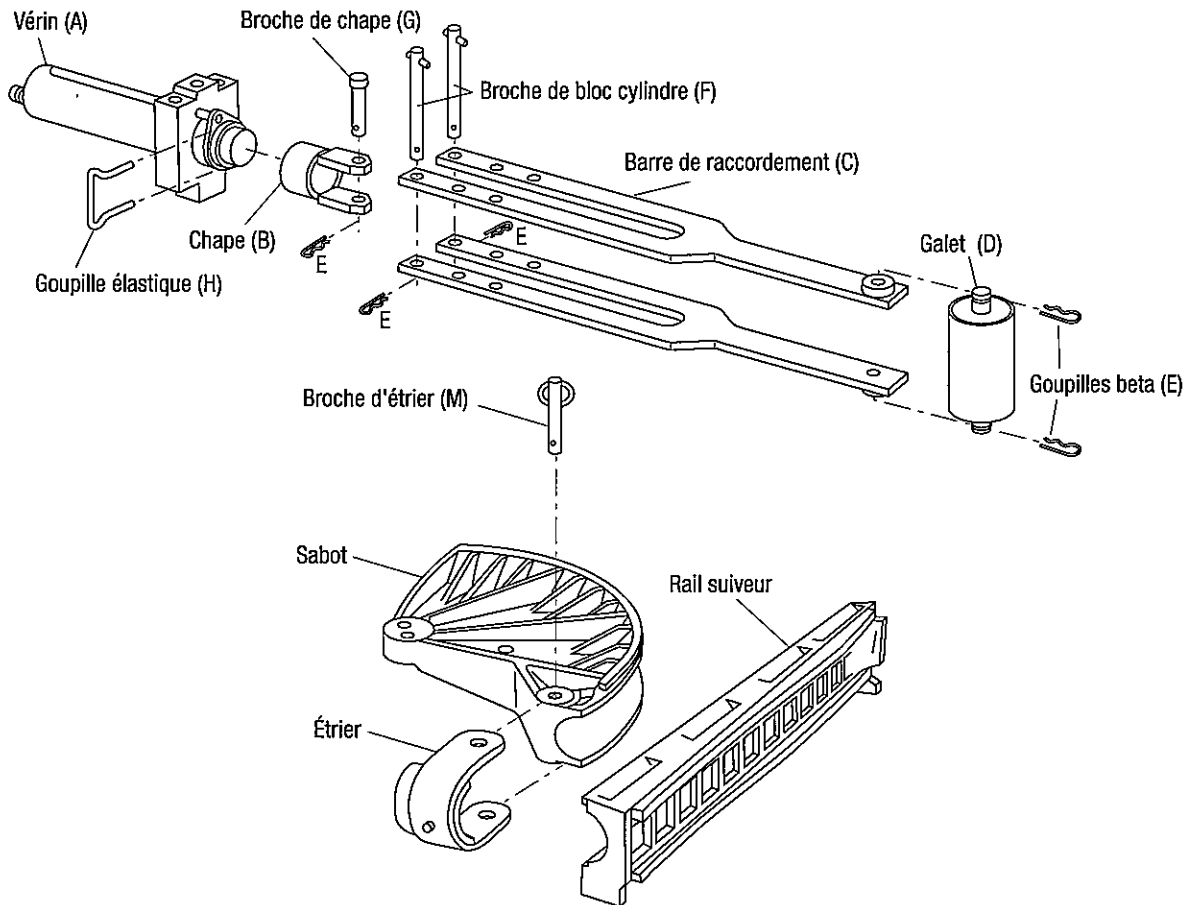
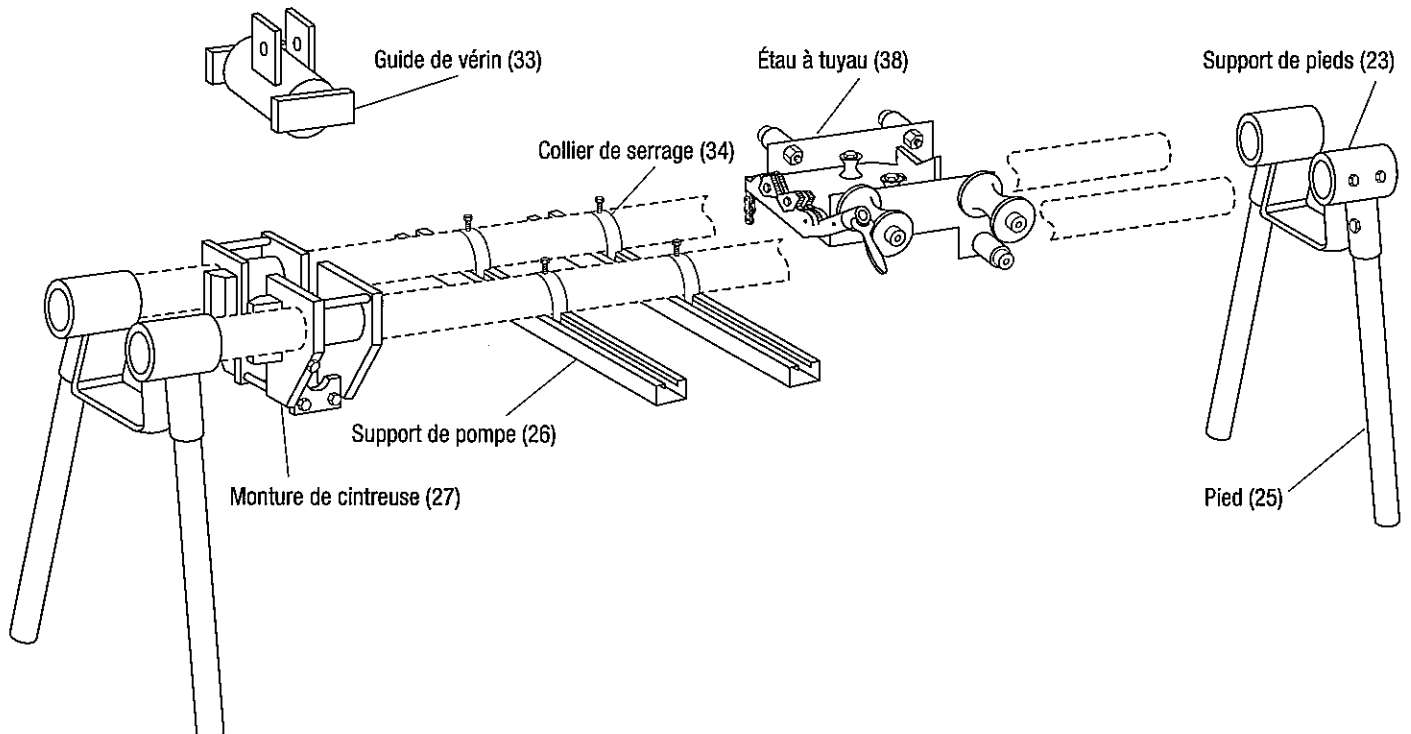
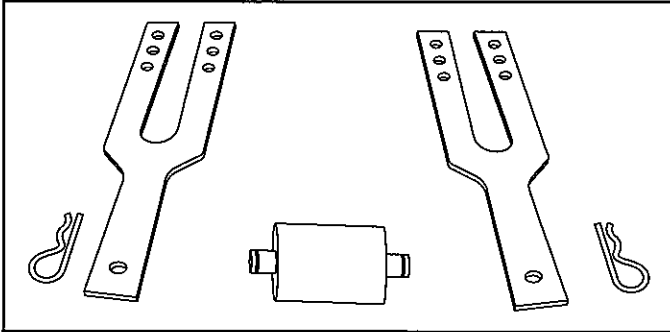


Table de cintrage 1813

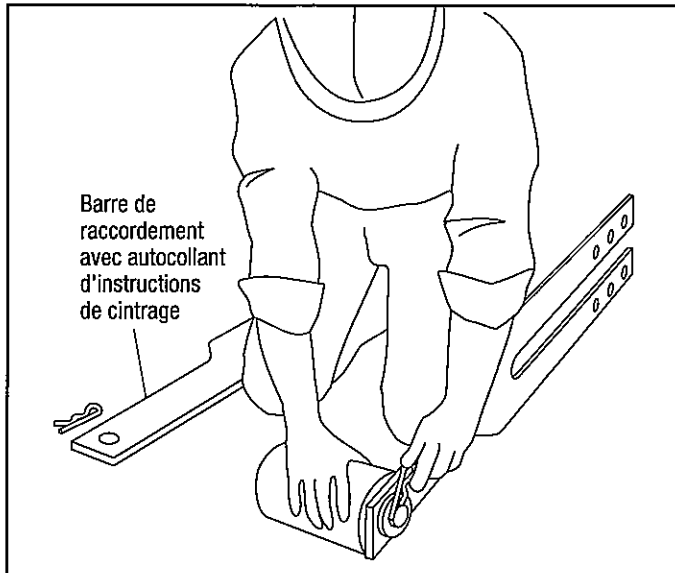


Instructions d'assemblage et d'utilisation

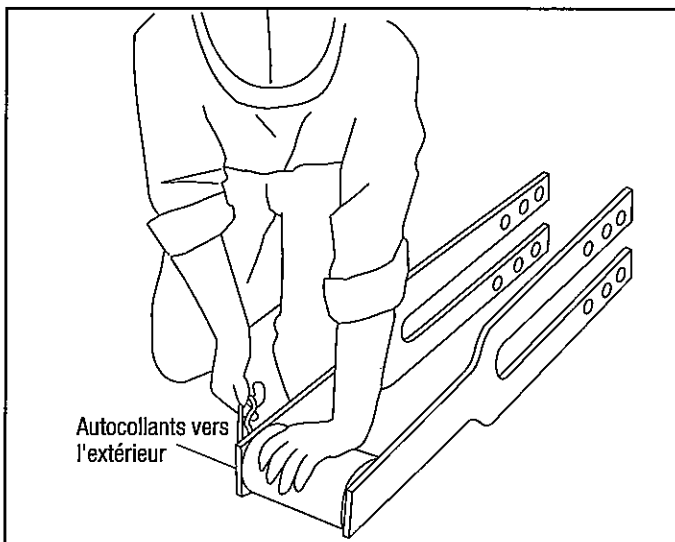
881 et 881CT — Utilisation sur le sol (voir « Identification — Éléments principaux »)



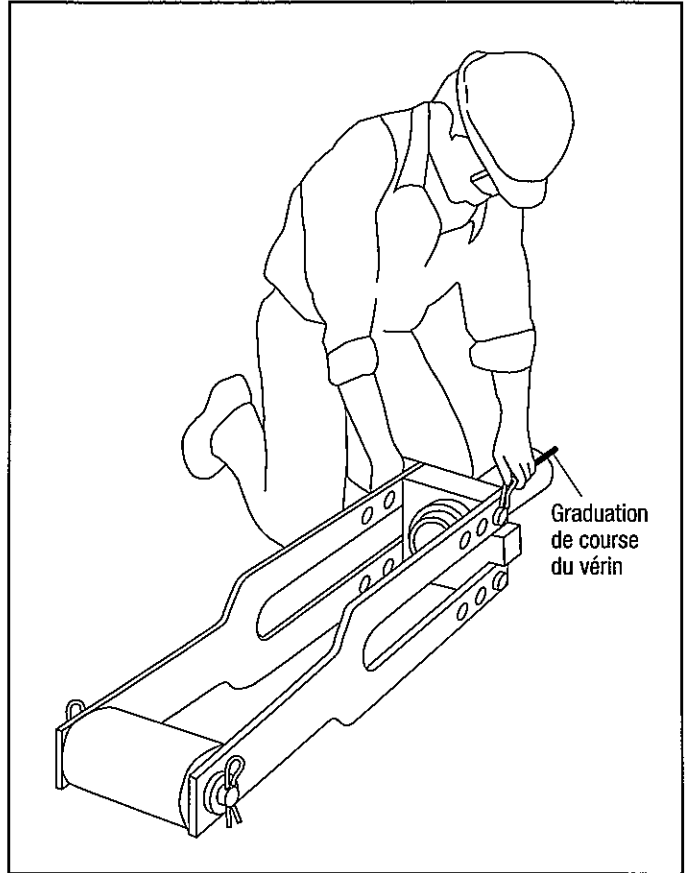
1. Poser les barres de raccordement (C), le galet (D) et deux goupilles beta (E) sur le sol.



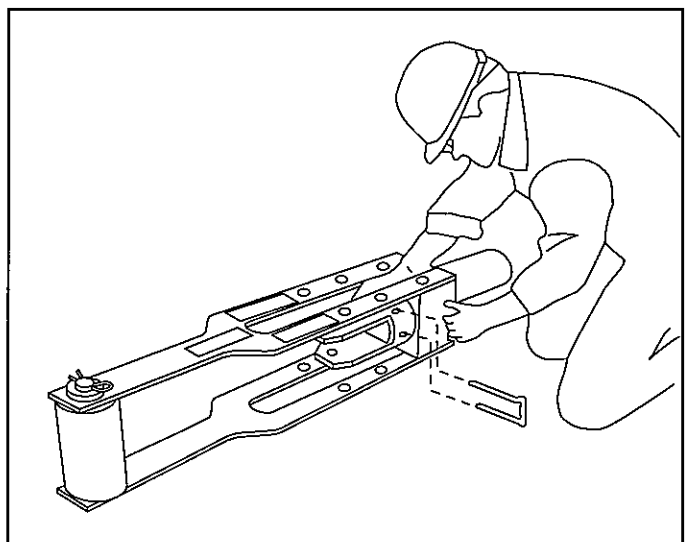
2. Attacher le galet à l'une des barres de raccordement au moyen d'une goupille beta, comme sur l'illustration.



3. Répéter l'étape 2 pour l'autre barre de raccordement.



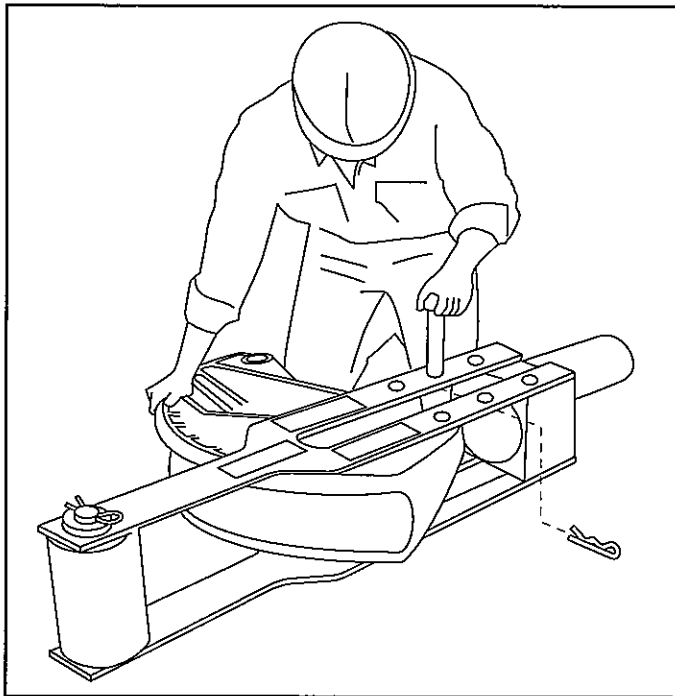
4. Placer le vérin et le bloc cylindre de telle manière que, vue depuis la position de l'opérateur, la graduation du vérin est sur le dessus et la gauche du vérin.



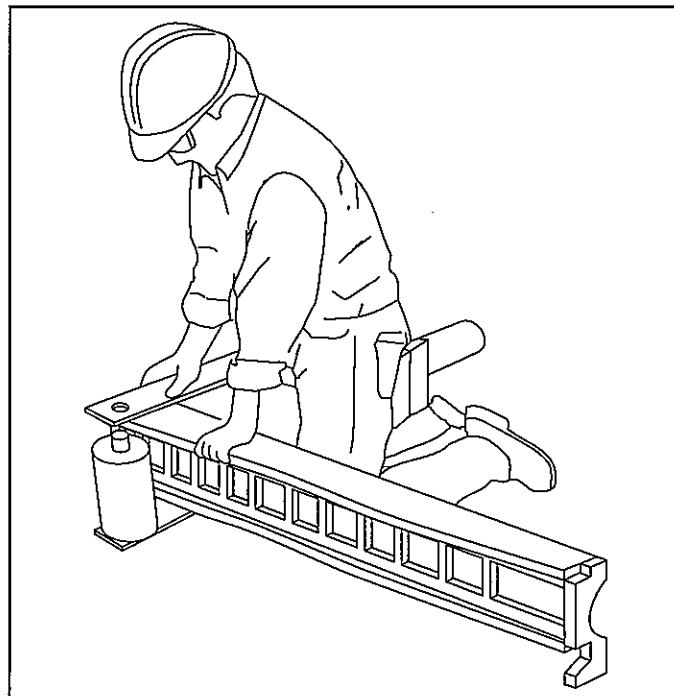
5. Attacher la chape (B) au vérin à l'aide de la goupille élastique (H).

Instructions d'assemblage et d'utilisation

881 et 881CT – Utilisation sur le sol (suite)

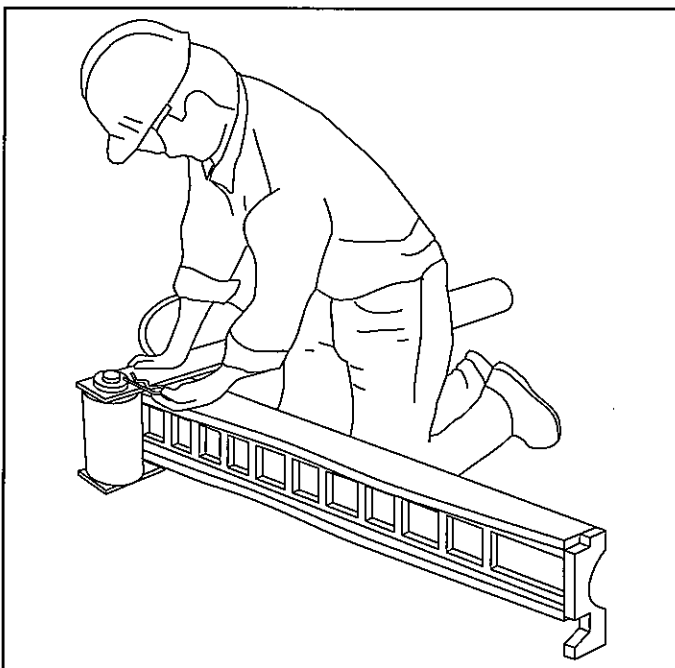


6. Sélectionner le sabot qui convient pour la section de conduit à cintrer. Insérer le sabot avec le marquage de taille du sabot sur le dessus. Aligner l'orifice EMT ou Rigid/IMC avec la chape et enfiler la broche de chape (G). Fixer la broche de chape avec une goupille beta (E).

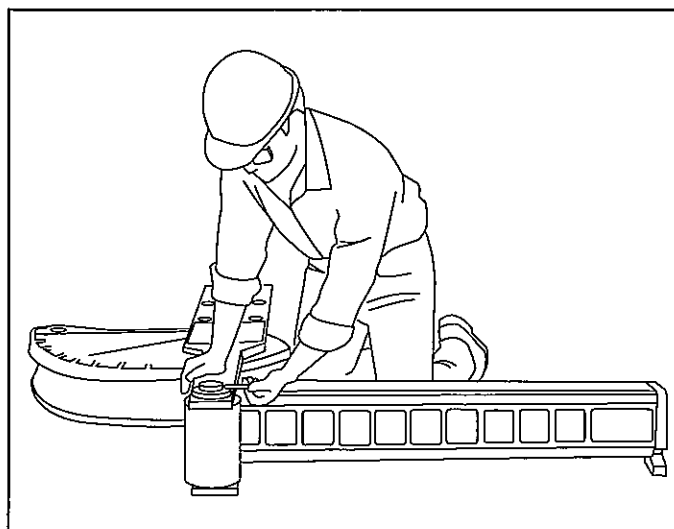


8. Soulever la barre de raccordement et insérer le rail suiveur.

Remarque : Insérer le bout marqué START.



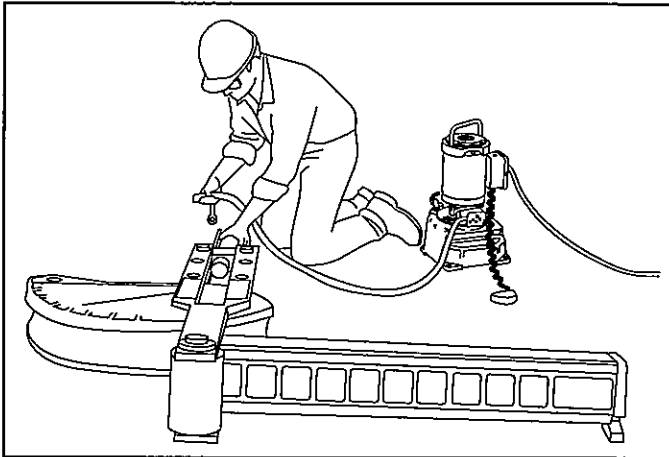
7. Déposer une goupille beta de l'axe du galet.



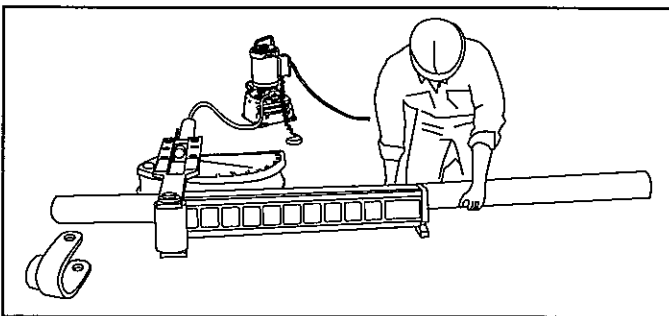
9. Remettre la goupille beta en place dans l'axe du galet.

Instructions d'assemblage et d'utilisation

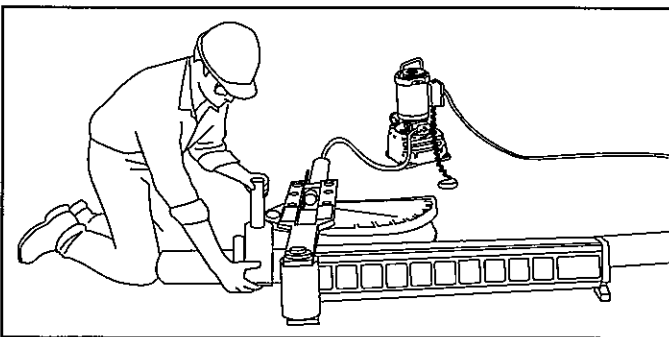
881 et 881CT — Utilisation sur le sol (suite)



10. Raccorder le flexible (L) à la pompe et au vérin.



11. Vérifier que la gorge du sabot et celle du rail suiveur sont propres. Enfiler le conduit dans la cintreuse.



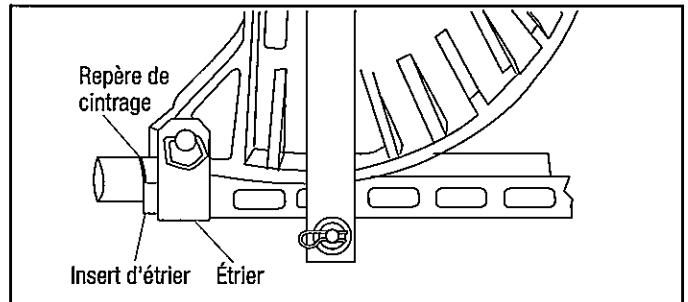
12. Placer le conduit dans la gorge du sabot. Faire tourner le sabot comme il se doit pour aligner l'étrier avec le sabot. Orienter l'étrier de manière à placer l'insert d'étrier vers l'opérateur, comme sur l'illustration. Attacher l'étrier au sabot à l'aide de la broche d'étrier (M) ; fixer la broche avec la goupille beta (E).

Remarque : Aligner le repère de cintrage sur le conduit avec le bord extérieur de l'insert d'étrier.

IMPORTANT

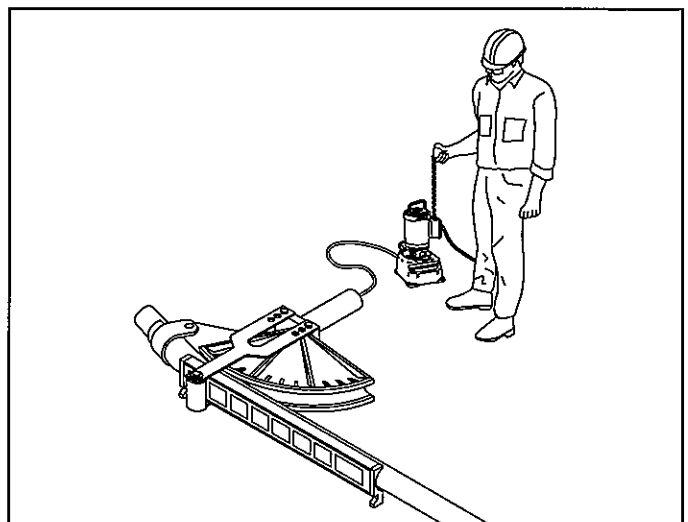
Suivre les instructions et les mesures de sécurité fournies avec la pompe hydraulique.

Les présentes instructions s'appliquent aux pompes hydrauliques Greenlee 960 (représentée sur les illustrations) et 980 (non représentée) uniquement.



13. Tourner le levier de commande de la pompe dans le sens inverse des aiguilles d'une montre. Activer la pompe hydraulique jusqu'à ce que le sabot vienne tout juste au contact du conduit. Vérifier que l'étrier et le rail suiveur sont fermement serrés. S'assurer que le rail suiveur touche l'étrier. Vérifier que le repère de cintrage sur le conduit est aligné avec le bord avant de l'insert d'étrier. Étalonner la cintreuse (voir « Étalonnage de la cintreuse avant le cintrage » sous « Table 3 — Course du vérin »).

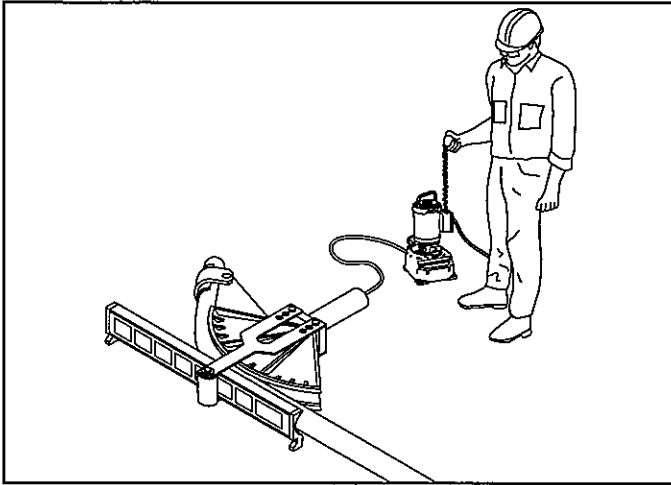
Activer la pompe hydraulique pour débiter le cintrage.



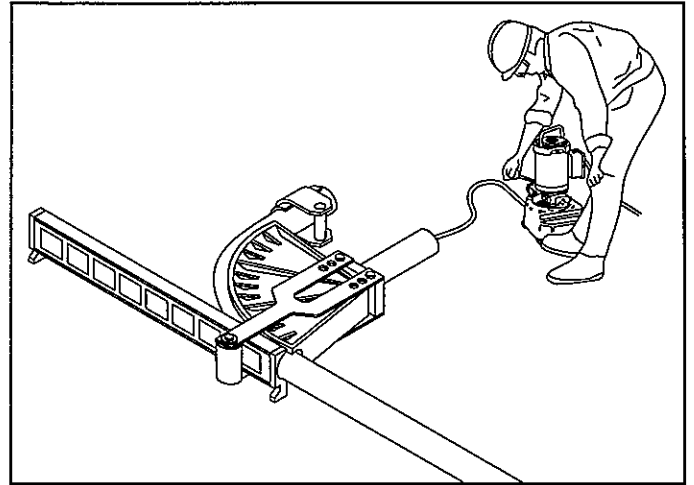
14. Cintre de 10°.

Instructions d'assemblage et d'utilisation

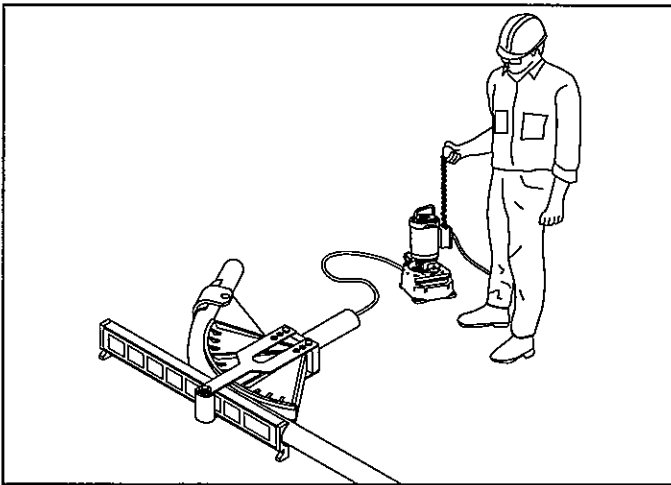
881 et 881CT — Utilisation sur le sol (suite)



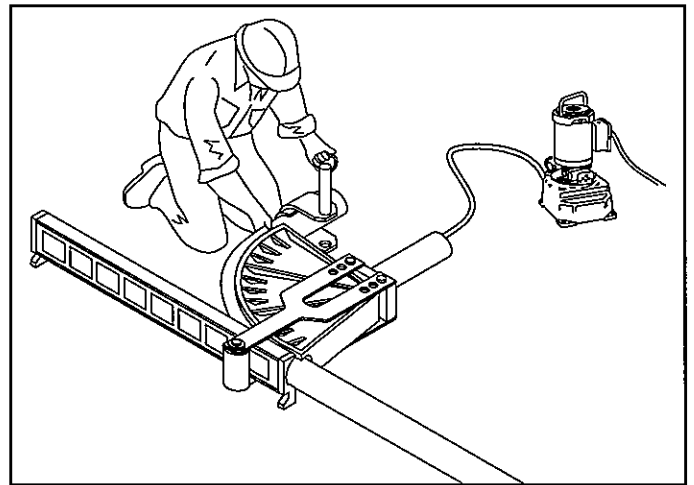
15. Cintre de 45°.



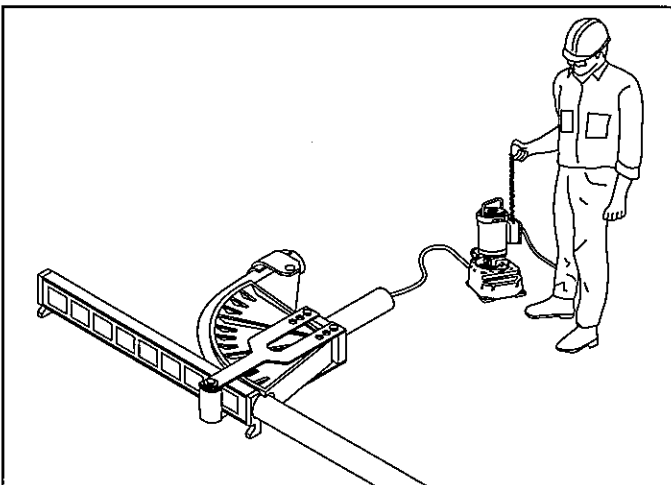
18. Relâcher la pression hydraulique. Le vérin se rétracte.



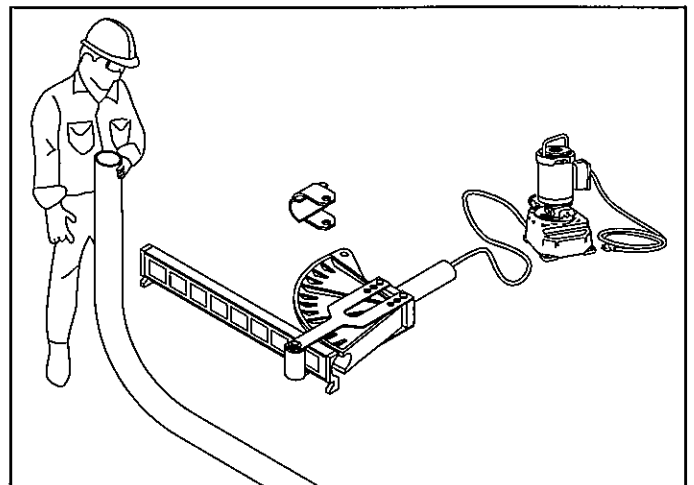
16. Cintre de 60°.



19. Extraire la broche d'étrier.



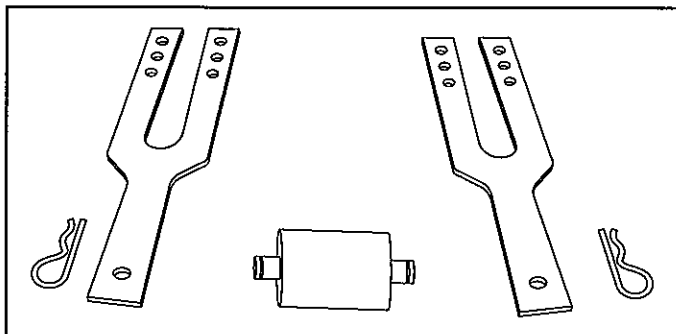
17. Cintre de 90°.



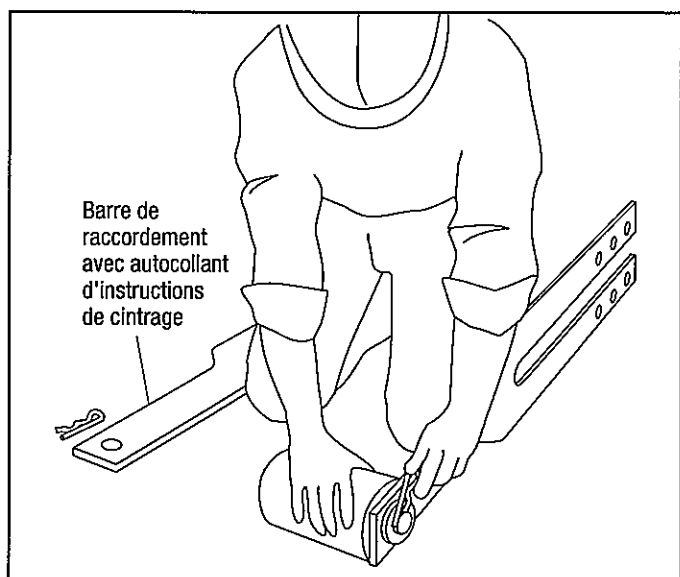
20. Le cintrage de 90° est terminé.

Instructions d'assemblage et d'utilisation

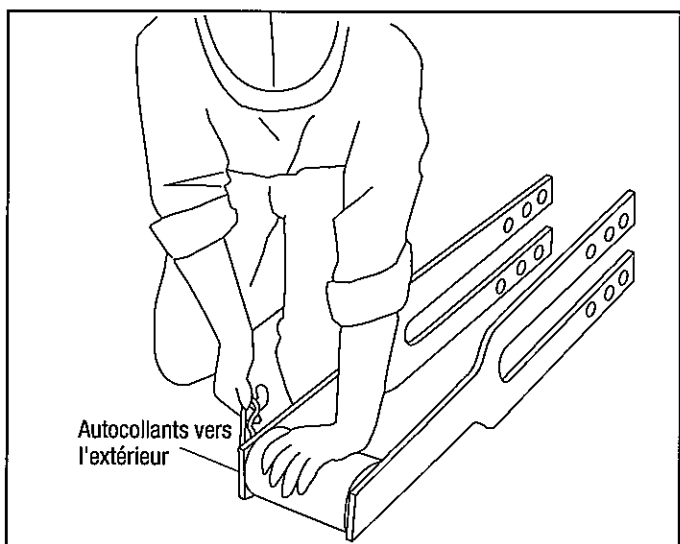
881 et 881CT avec table de cintrage 1813 (voir « Identification — Éléments principaux »)



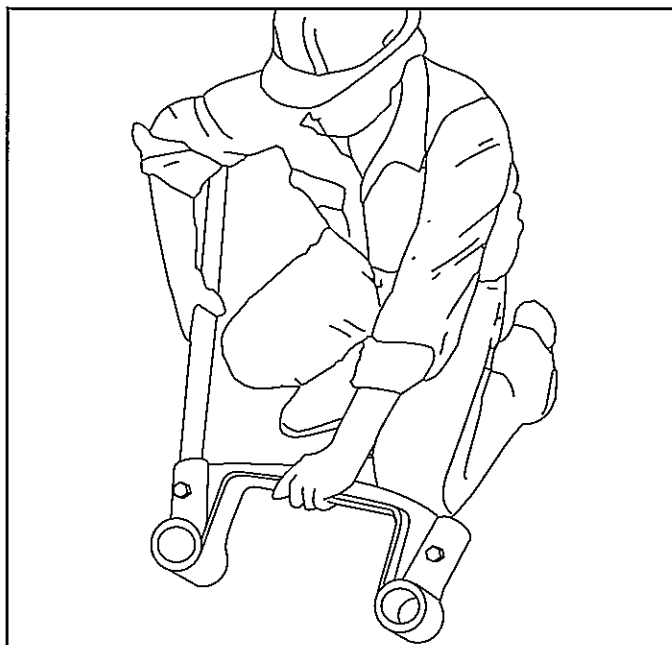
1. Poser les barres de raccordement (C), le galet (D) et deux goupilles beta (E) sur le sol.



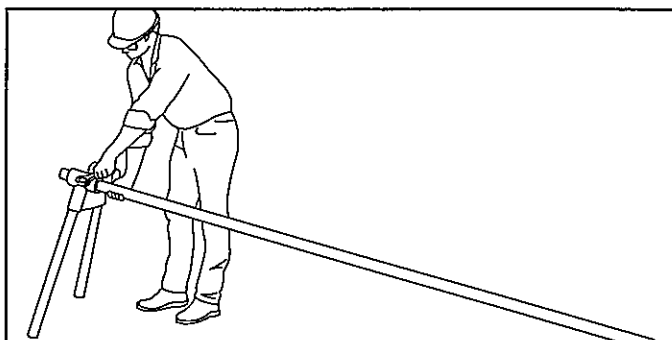
2. Attacher le galet à l'une des barres de raccordement au moyen d'une goupille beta, comme sur l'illustration.



3. Répéter l'étape 2 pour l'autre barre de raccordement.

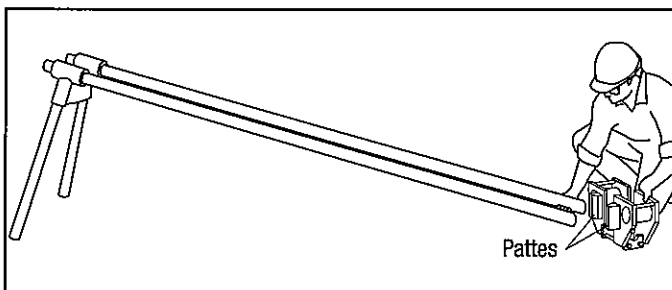


4. Enfiler un pied de 29 po (25) dans le support de pieds (23). Serrer la vis à tête (24). Répéter avec les trois autres pieds.

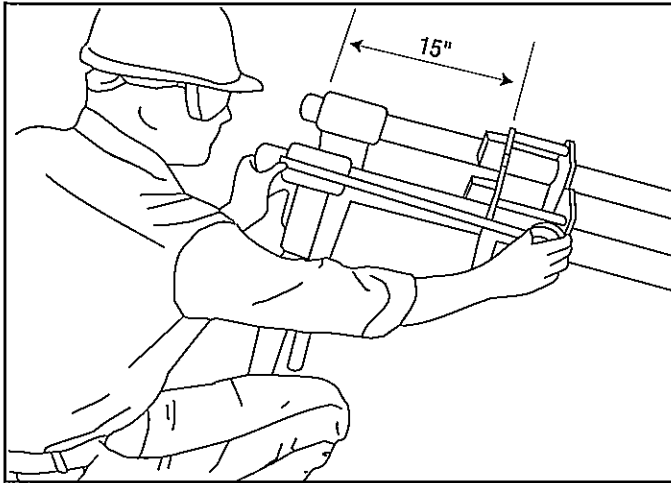


5. Introduire deux longueurs de 10 pieds de conduit rigide ou IMC dans le support de pieds (23). Serrer les quatre vis à tête (24).

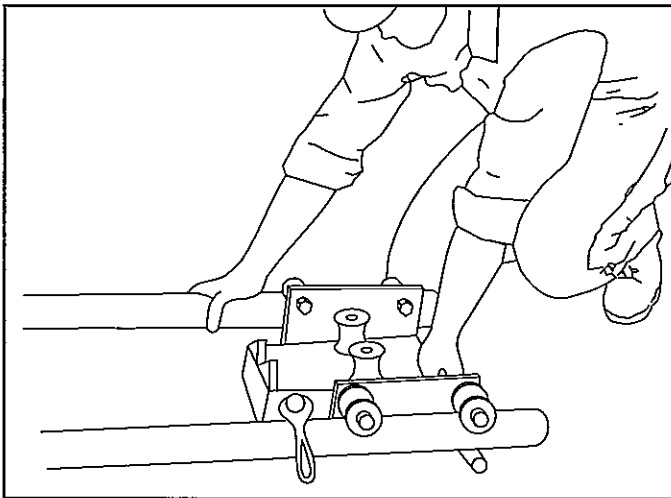
Remarque : Ces longueurs de conduit ne sont pas fournies avec la table de cintrage 1813.



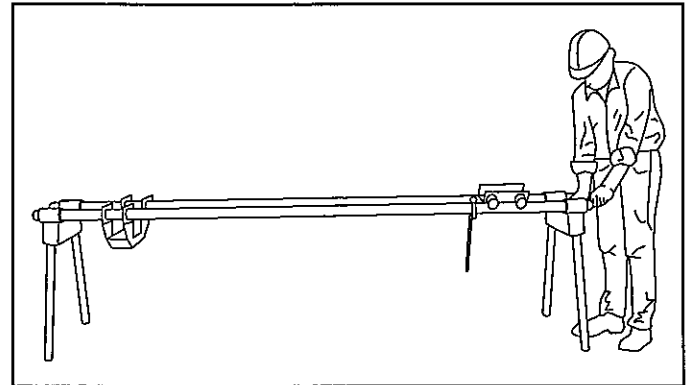
6. Placer la monture de cintreuse (27) comme sur l'illustration et l'enfiler, pattes d'abord, sur les deux conduits de 10 pieds.

Instructions d'assemblage et d'utilisation
881 et 881CT avec table de cintrage 1813 (suite)


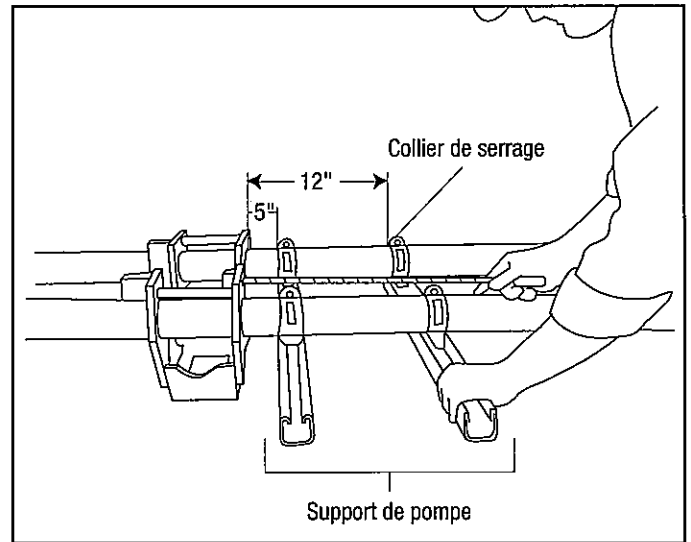
7. Placer la monture de cintreuse à 15 po du support de pieds. Serrer les deux vis de la monture de cintreuse (28).



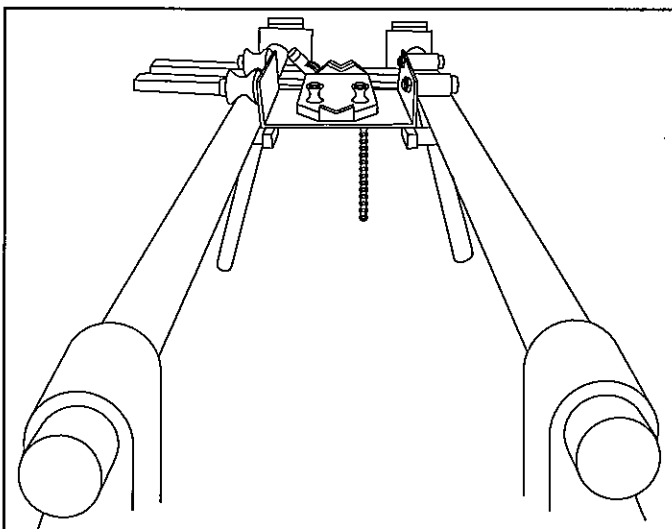
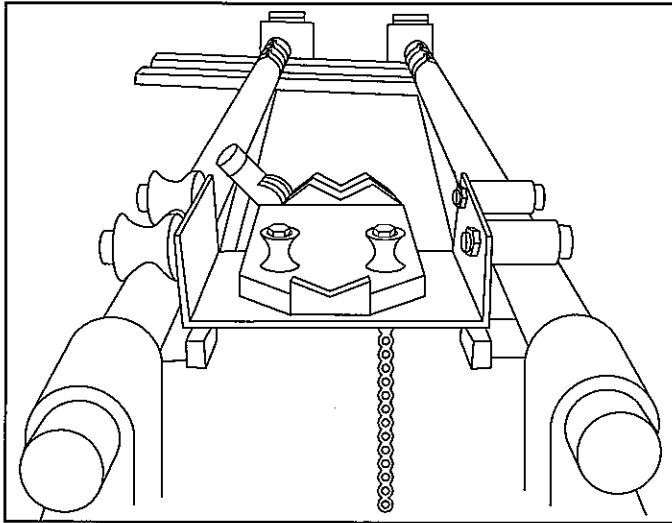
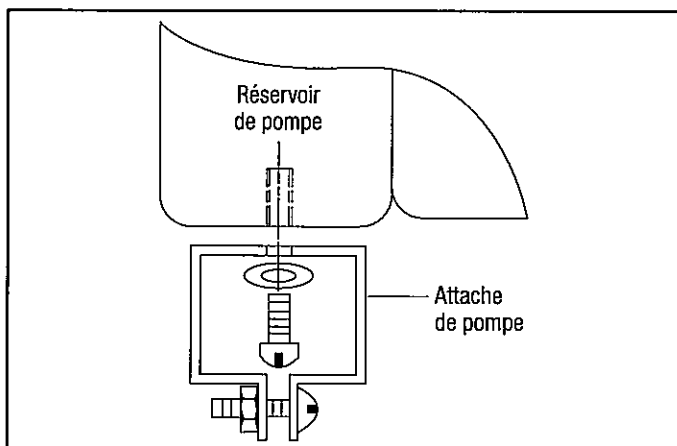
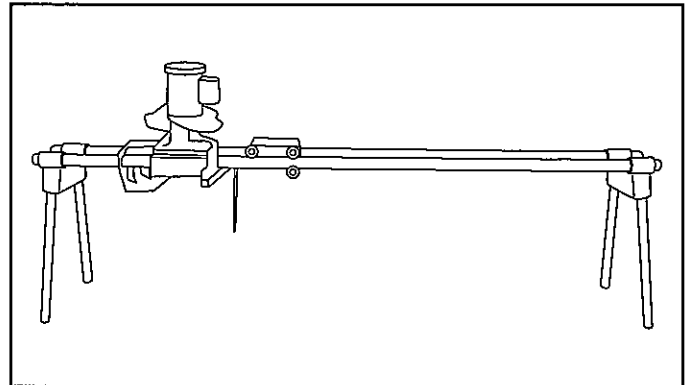
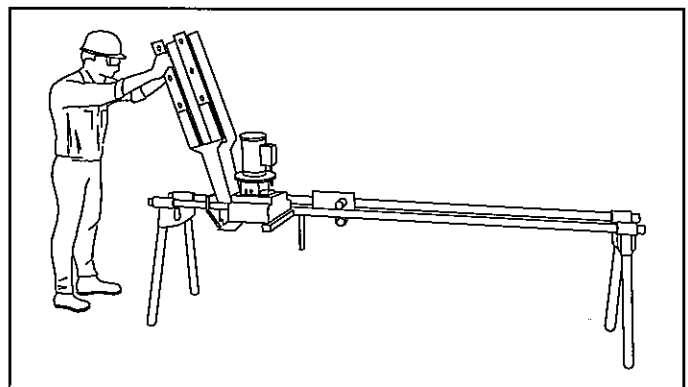
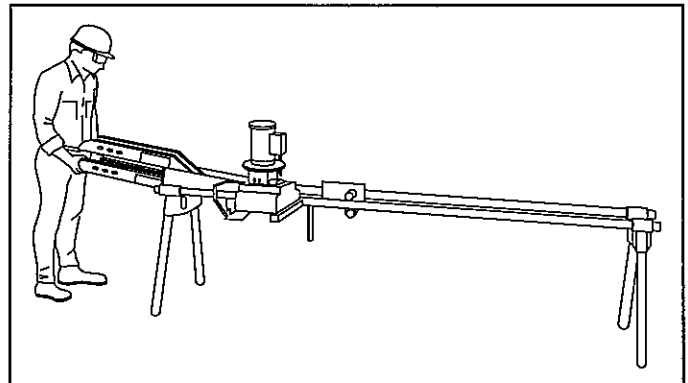
8. Enfiler l'étau à tuyau (38) sur les deux conduits de 10 pieds, comme sur l'illustration.

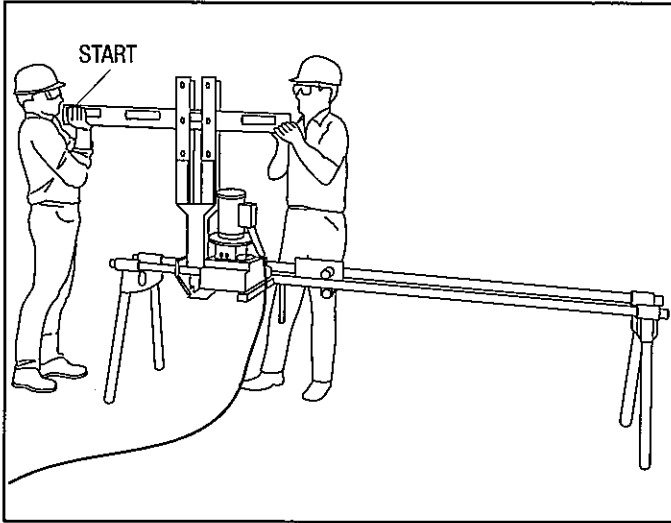


9. Attacher le deuxième support de pieds (23) sur les conduits de 10 pieds. Serrer les quatre vis (24).

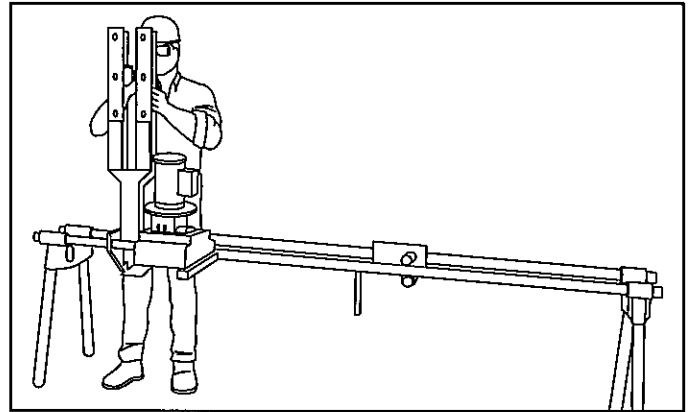
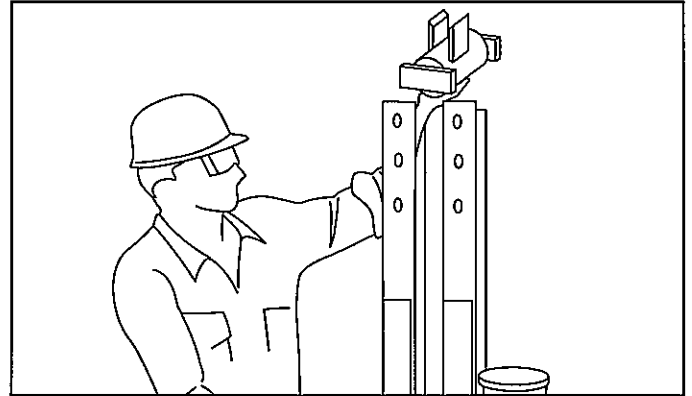


10. Accrocher deux colliers de serrage (34) sur chacun des conduits de 10 pieds. Placer les colliers de serrage à 5 po et 12 po de la monture de cintreuse. Monter les supports de pompe (26) sur les colliers. Ne pas serrer les colliers.

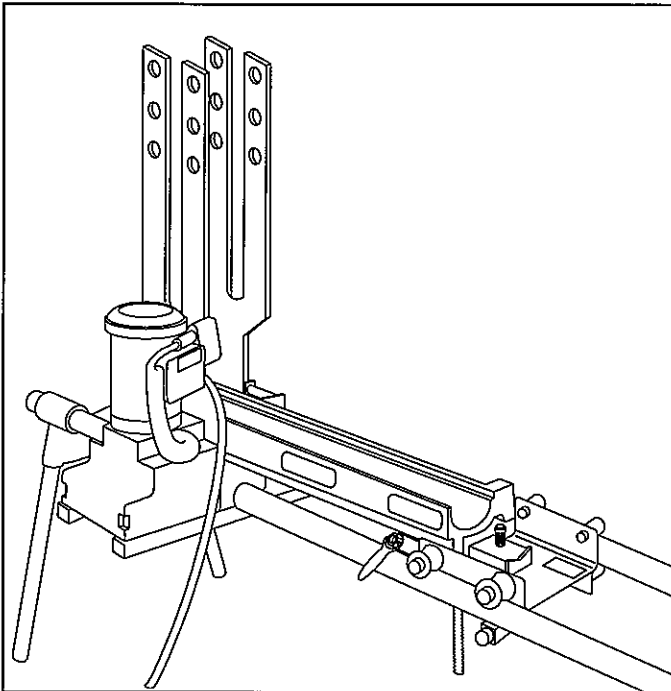
Instructions d'assemblage et d'utilisation
881 et 881CT avec table de cintrage 1813 (suite)

11 et 12. Mettre la table de niveau aux deux extrémités.

13. Déposer les pieds en caoutchouc/roulettes de la pompe. Fixer l'attache de pompe (64) à la pompe à l'aide de la visserie de fixation d'attache de pompe (40-43). Voir l'illustration.

14. Enfiler la pompe sur les supports de pompe. Serrer les vis sur les côtés inférieurs des attaches de pompe pour fixer la pompe. Vérifier que les supports de pompe sont à 5 po et 12 po de la monture de cintreuse. Serrer les vis des colliers de serrage.

15 et 16. Charger l'ensemble barres de raccordement et galet sur la monture de cintreuse.

Instructions d'assemblage et d'utilisation
881 et 881CT avec table de cintrage 1813 (suite)


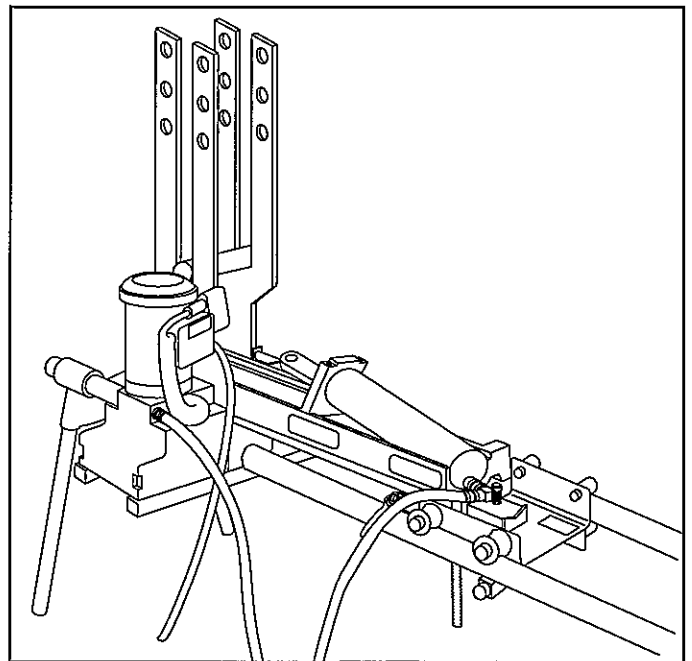
17. Enfiler le rail suiveur dans la cintreuse par l'extrémité marquée START, comme sur l'illustration.



19 et 20. Enfiler le guide de vérin (33).



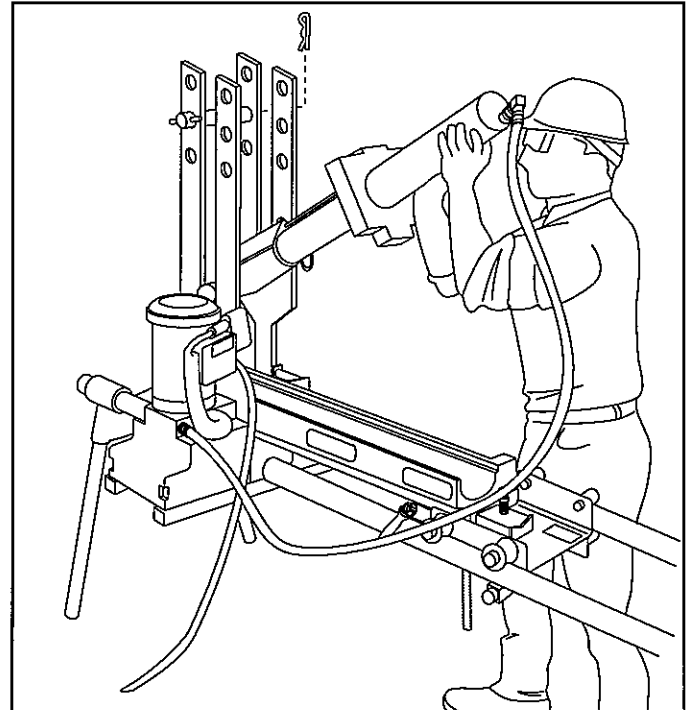
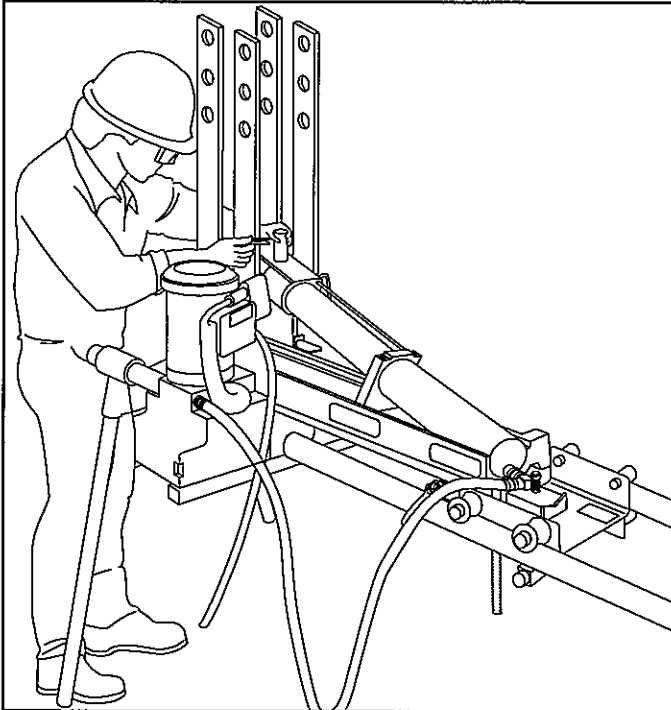
18. Appuyer l'arrière du rail suiveur sur l'étau à tuyau.



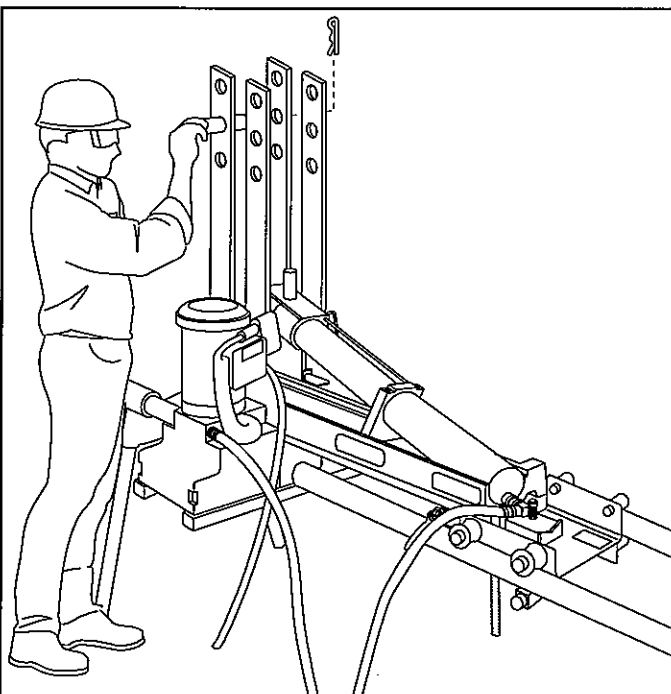
21. Attacher le raccord hydraulique (29) au vérin et attacher le flexible au raccord. Placer le cylindre de vérin et la chape sur le rail suiveur. Tourner le levier de commande de la pompe dans le sens inverse des aiguilles d'une montre.

Instructions d'assemblage et d'utilisation

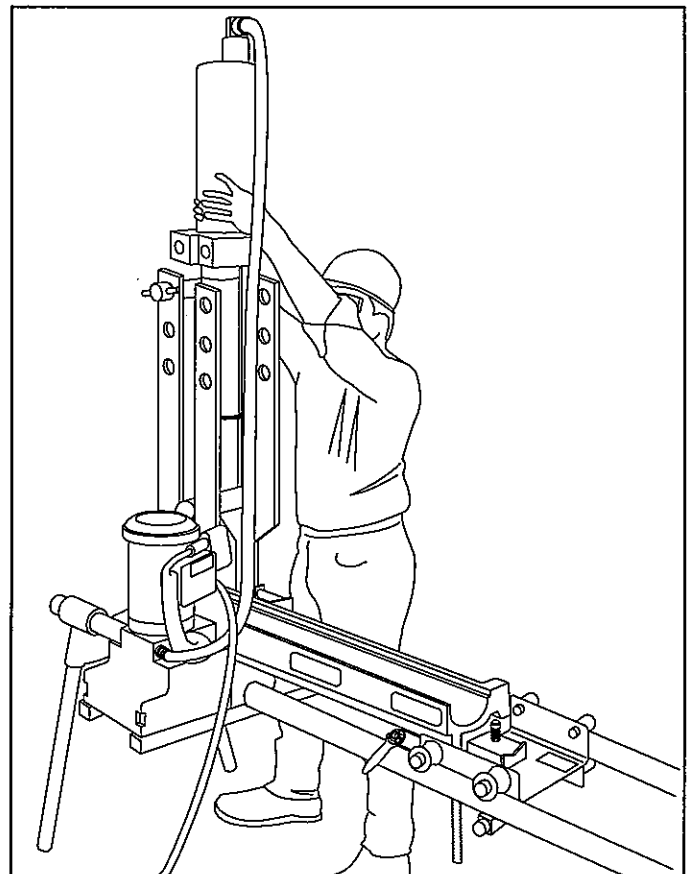
881 et 881CT avec table de cintrage 1813 (suite)



22. Activer la pompe hydraulique pour déployer le vérin de 14 po environ. NE PAS ALLER TROP LOIN. Attacher la chape au guide de vérin à l'aide de la broche de chape (G). Fixer la broche de chape avec une goupille beta (E).



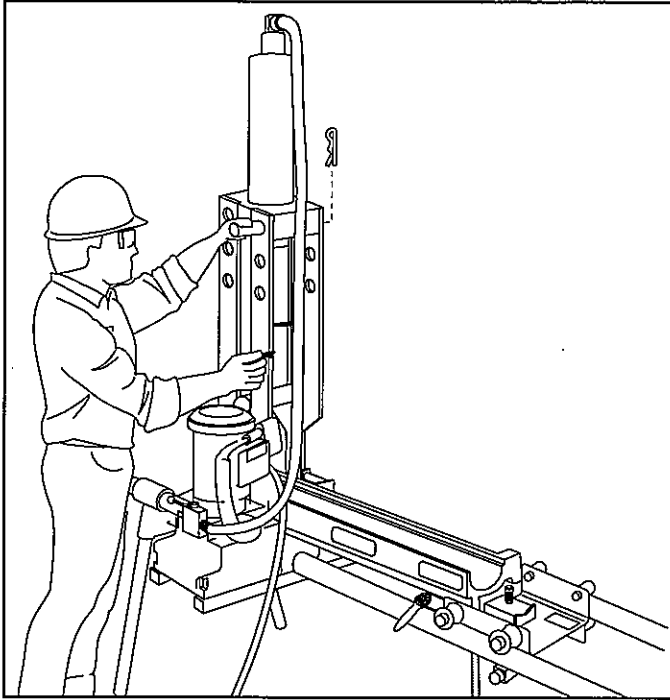
23. Enfiler une broche de bloc cylindre (F) dans le trou marqué 3" CONDUIT comme sur l'illustration.



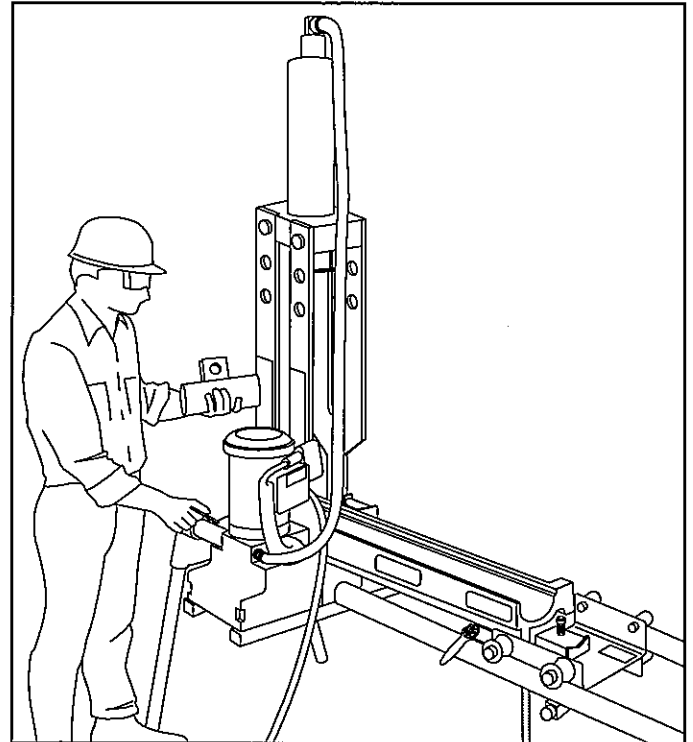
24 et 25. Basculer le vérin pour le mettre en position.

Instructions d'assemblage et d'utilisation

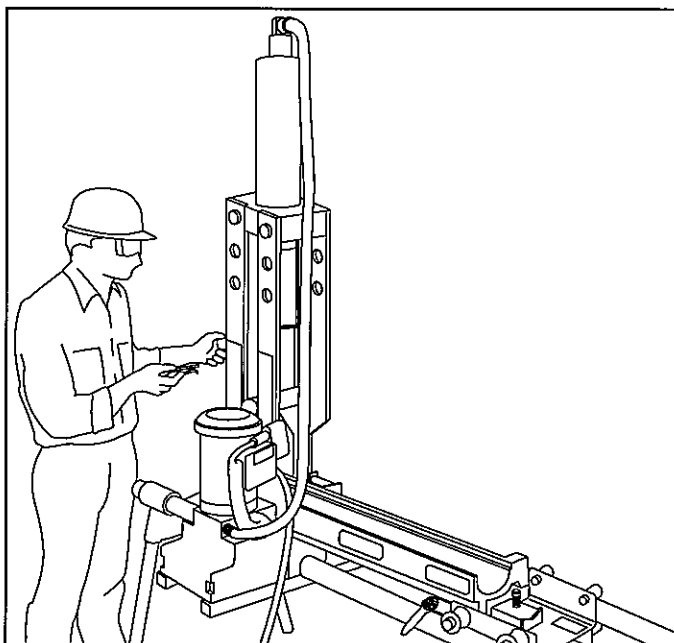
881 et 881CT avec table de cintrage 1813 (suite)



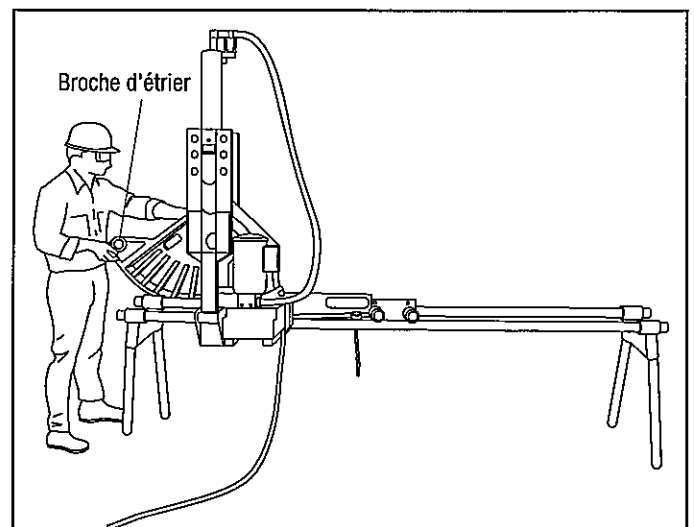
26. Extraire la broche de bloc cylindre du trou 3" CONDUIT de la barre de raccordement. Tourner le levier de commande de pompe dans le sens des aiguilles d'une montre pour rétracter le vérin. Placer le bloc cylindre à l'emplacement qui convient pour la section du conduit à cintrer. Enfiler les deux broches de bloc cylindre (F) à travers les barres de raccordement et à travers le bloc cylindre. Fixer les broches avec deux goupilles beta (E).



28. Déposer le guide de vérin des barres de raccordement.



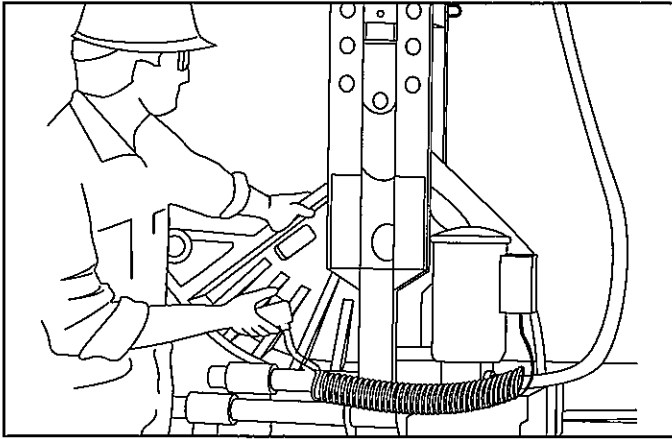
27. Extraire la broche de chape du guide de vérin.



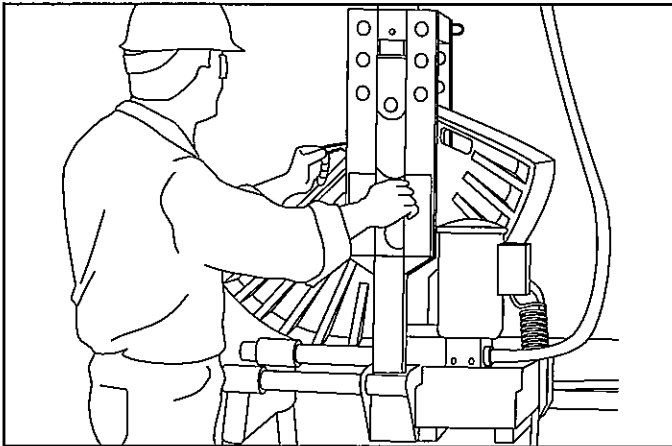
29. Charger le sabot dans la cintreuse avec le trou de la broche d'étrier sur la gauche, comme sur l'illustration.

Instructions d'assemblage et d'utilisation

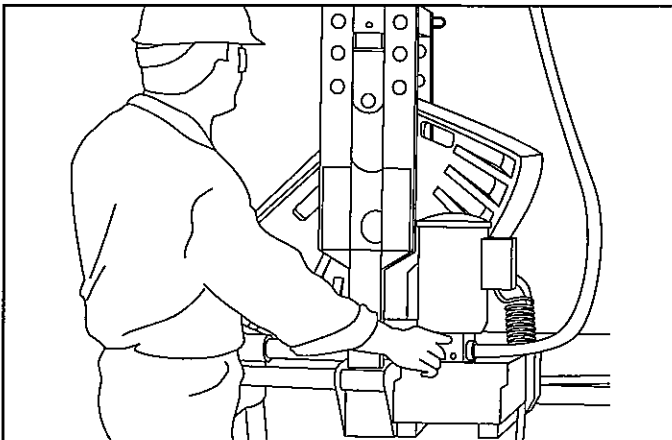
881 et 881CT avec table de cintrage 1813 (suite)



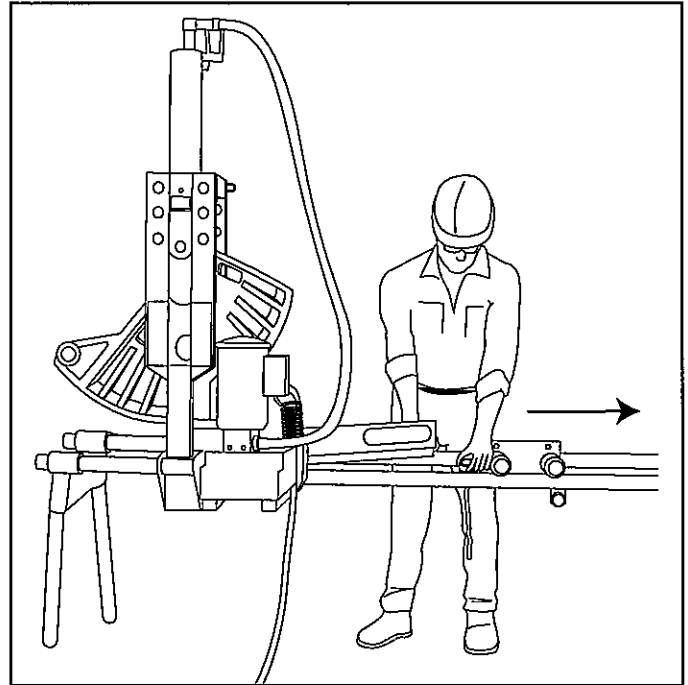
30. Tourner le levier de commande de la pompe dans le sens inverse des aiguilles d'une montre. Activer la pompe hydraulique pour faire avancer le sabot jusqu'à aligner la chape avec le trou de broche de chape du sabot qui convient (EMT ou IMC/Rigid).



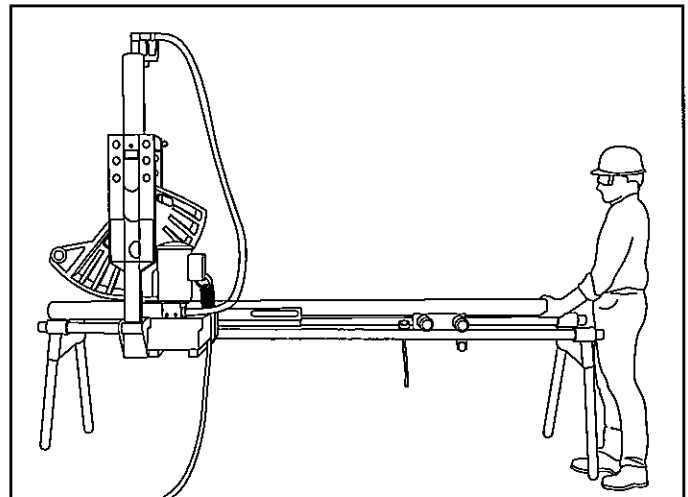
31. Attacher la chape au sabot à l'aide de la broche de chape (G). Fixer la broche de chape avec une goupille beta (E).



32. Tourner le levier de commande de pompe dans le sens des aiguilles d'une montre pour rétracter le vérin.



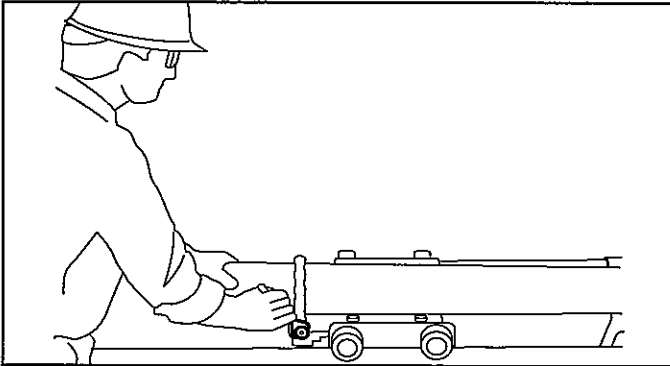
33. Enlever l'étau de sa position sous le rail suiveur. Glisser l'étau jusqu'au côté opposé de la table de cintrage.



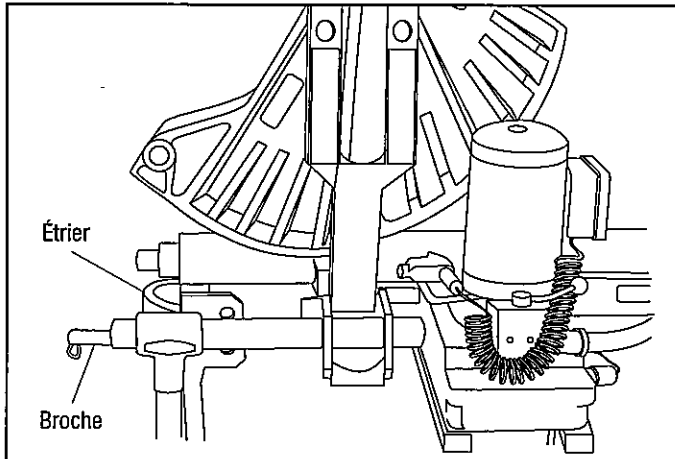
34. Enfiler le conduit à cintrer. Tourner le levier de commande de pompe dans le sens inverse des aiguilles d'une montre et faire avancer le sabot jusqu'à ce qu'il soit presque au contact du conduit.

Instructions d'assemblage et d'utilisation

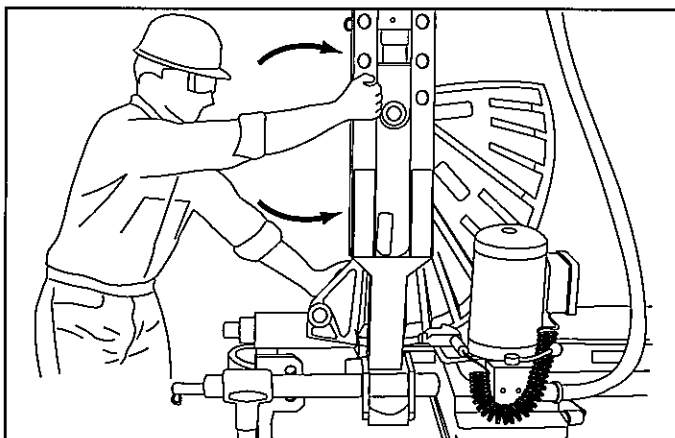
881 et 881CT avec table de cintrage 1813 (suite)



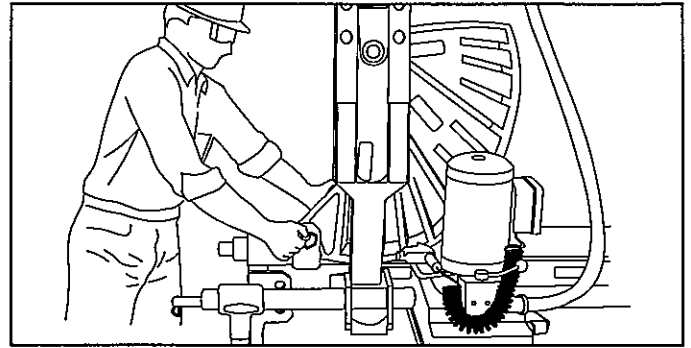
35. Placer l'étau à une distance du support de pompe telle qu'il ne touchera pas le support de pompe avant la fin de l'opération de cintrage. Serrer le conduit dans l'étau.



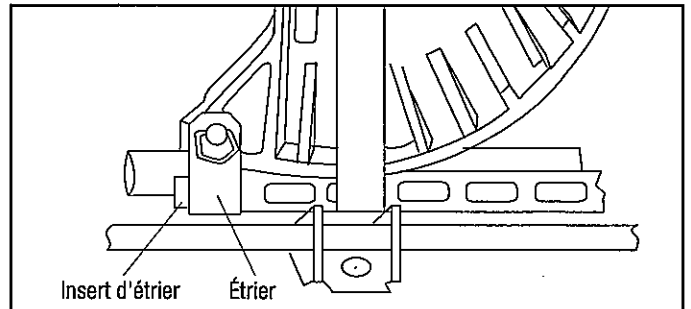
36. Reculer le rail suiveur (vers la droite sur l'illustration) jusqu'à ce que le pied du rail suiveur touche la monture de cintreuse. Placer l'étrier et broche d'étrier (M) à un endroit accessible pour l'assemblage.



37. Basculer le bâti de la cintreuse comme sur l'illustration et faire tourner le sabot vers l'arrière pour attacher l'étrier et la broche.



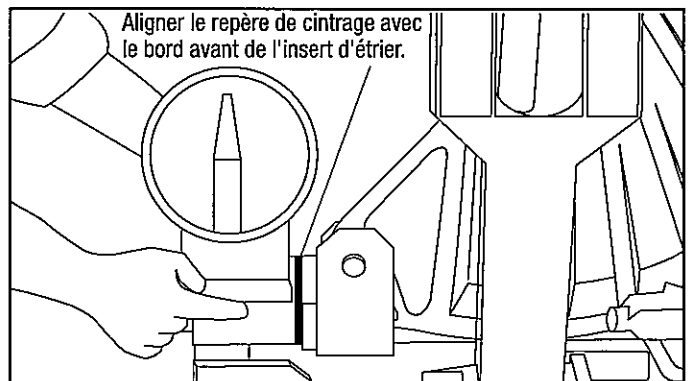
38. Tenir le sabot contre le conduit et l'étrier de telle manière que l'insert d'étrier soit vers l'opérateur. Aligner le trou de l'étrier avec celui du sabot et insérer la broche d'étrier (M). Fixer la broche d'étrier avec une goupille beta (E).



39. Laisser la cintreuse basculer vers l'avant et vérifier que le rail suiveur avance avec elle, de telle manière que le rail suiveur vienne au contact de l'étrier.

IMPORTANT

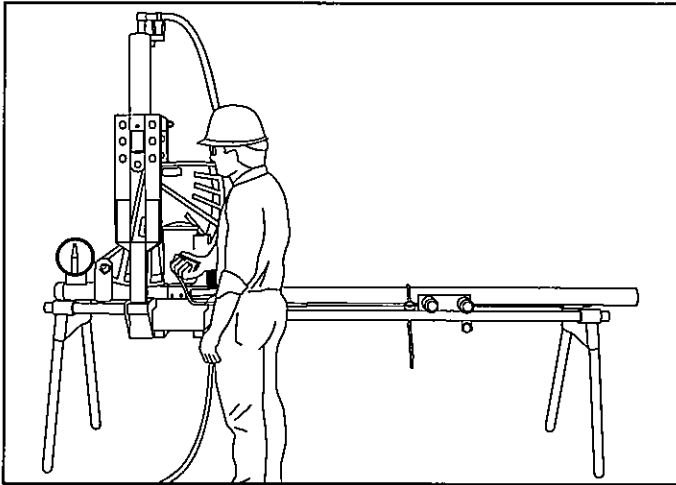
Suivre les instructions et les mesures de sécurité fournies avec la pompe hydraulique.



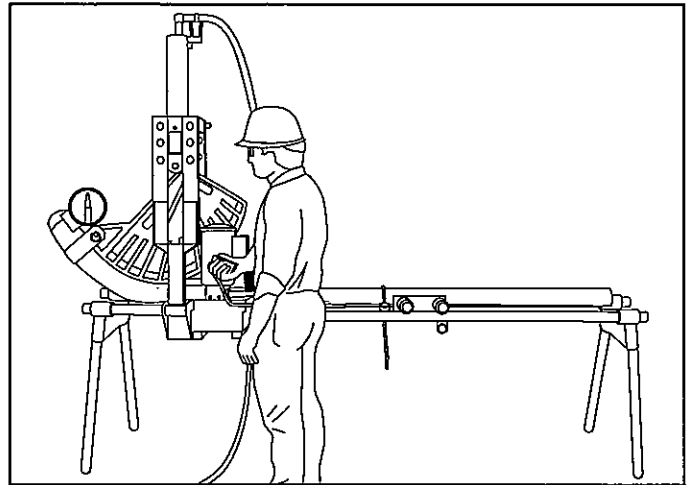
40. Tourner le levier de commande de la pompe dans le sens inverse des aiguilles d'une montre. Activer la pompe hydraulique jusqu'à ce que le sabot vienne tout juste au contact du conduit. Vérifier que l'étrier et le rail suiveur sont fermement serrés et que le rail suiveur appuie contre l'étrier, comme sur l'illustration. Vérifier que le repère de cintrage sur le conduit est aligné avec le bord avant de l'insert d'étrier. Attacher l'indicateur d'angle de cintrage modèle 1805 (35) au conduit. Mettre l'indicateur à zéro en tournant la molette d'angle.

Instructions d'assemblage et d'utilisation

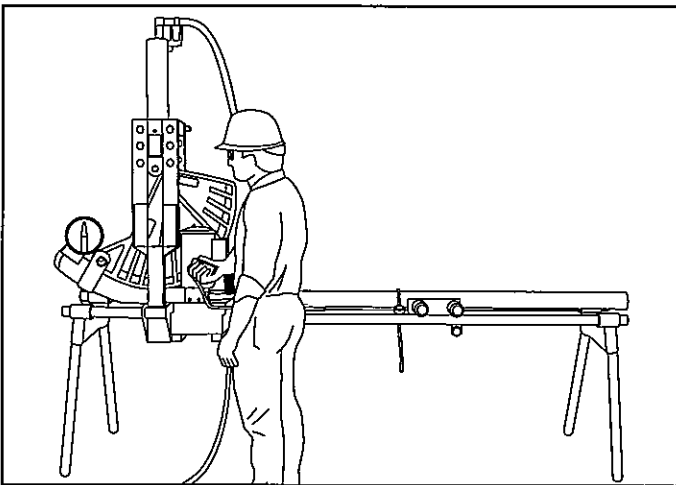
881 et 881CT avec table de cintrage 1813 (suite)



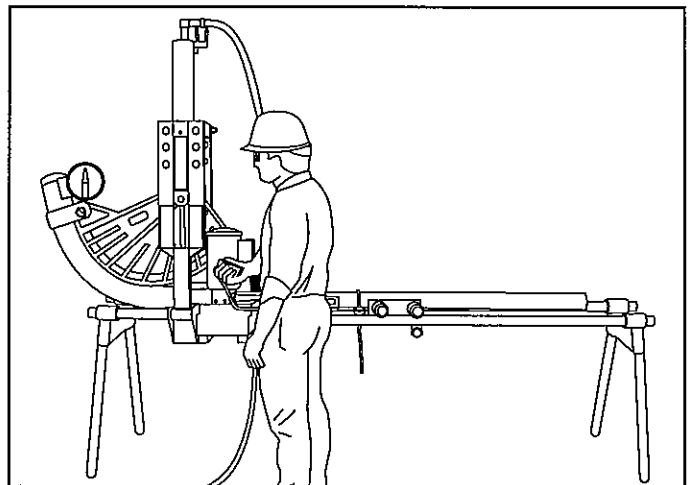
41. Activer la pompe hydraulique pour débiter le cintrage.



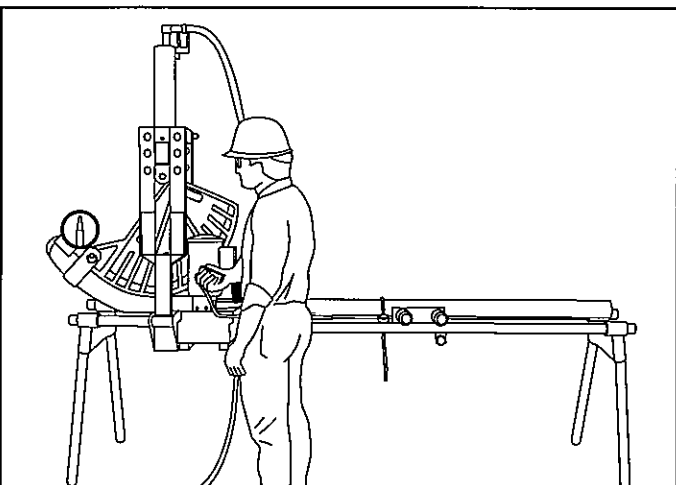
44. Cintre de 45°.



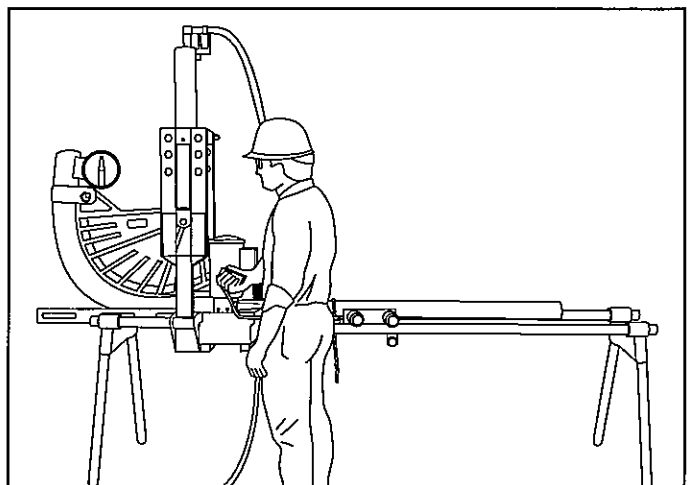
42. Cintre de 15°.



45. Cintre de 60°.



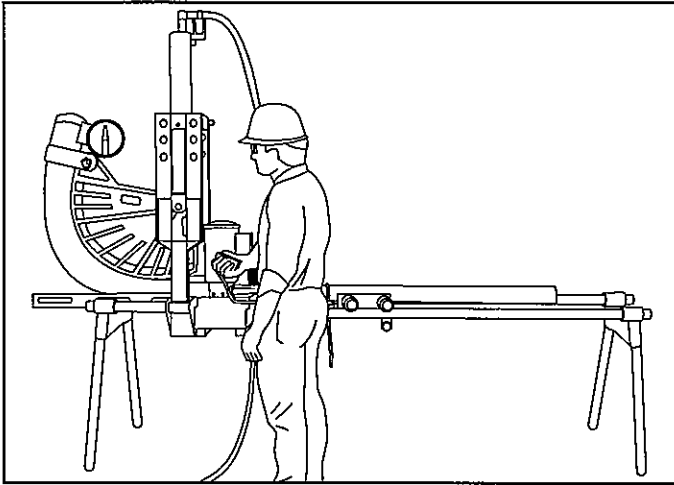
43. Cintre de 30°.



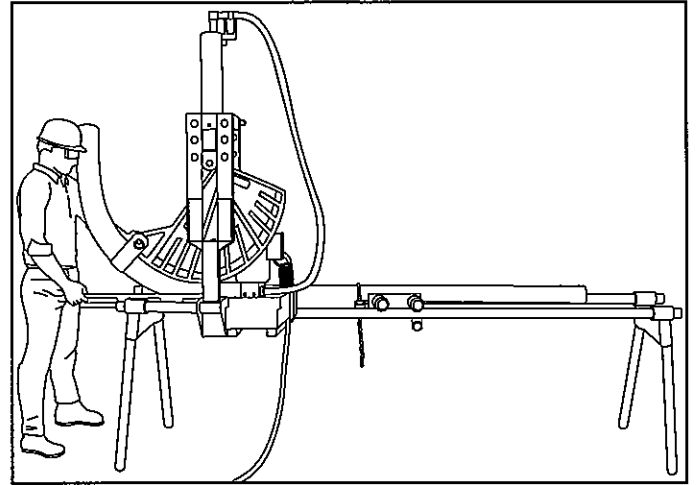
46. Cintre de 75°.

Instructions d'assemblage et d'utilisation

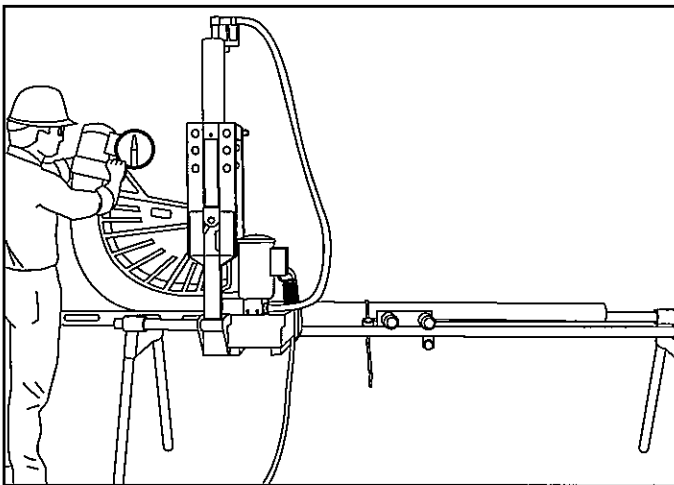
881 et 881CT avec table de cintrage 1813 (suite)



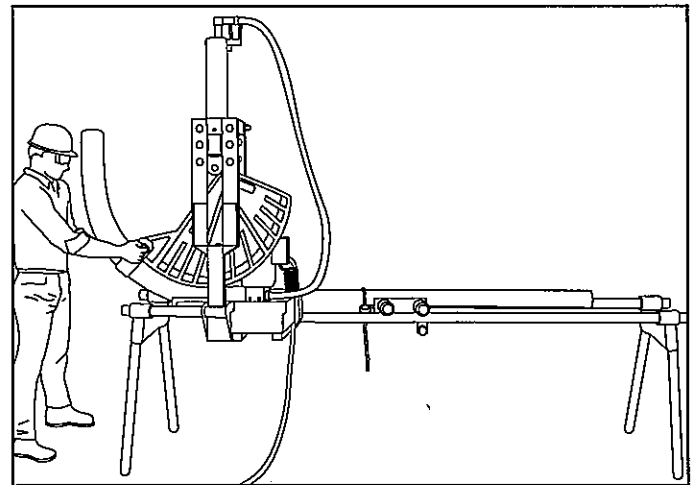
47. Cintre de 90°.



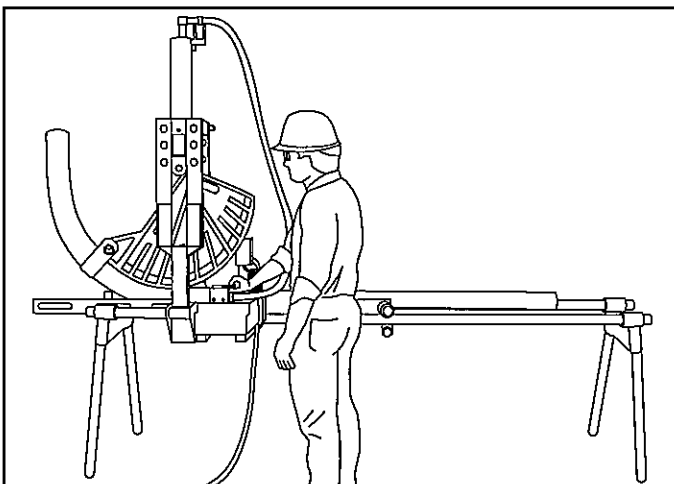
50. Ramener le rail suiveur dans sa position de départ.



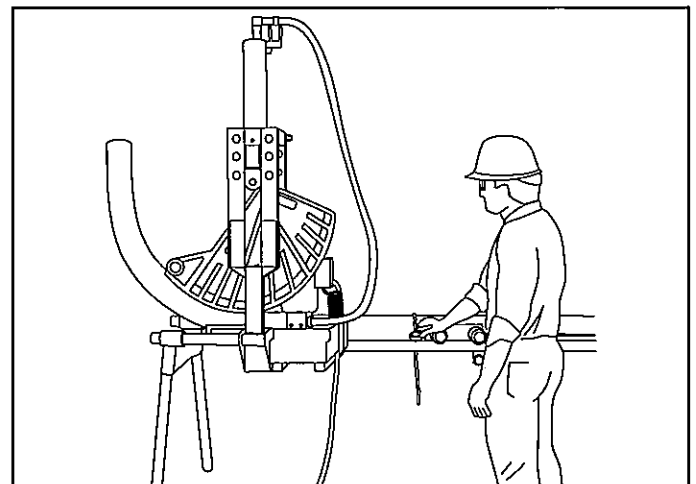
48. Déposer l'indicateur d'angle de cintrage 1805.



51. Déposer la broche d'étrier et l'étrier.



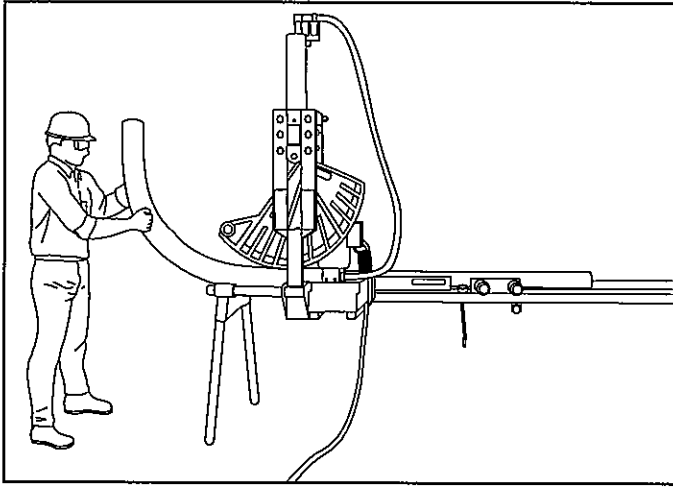
49. Tourner le levier de commande de pompe dans le sens des aiguilles d'une montre pour rétracter le sabot.



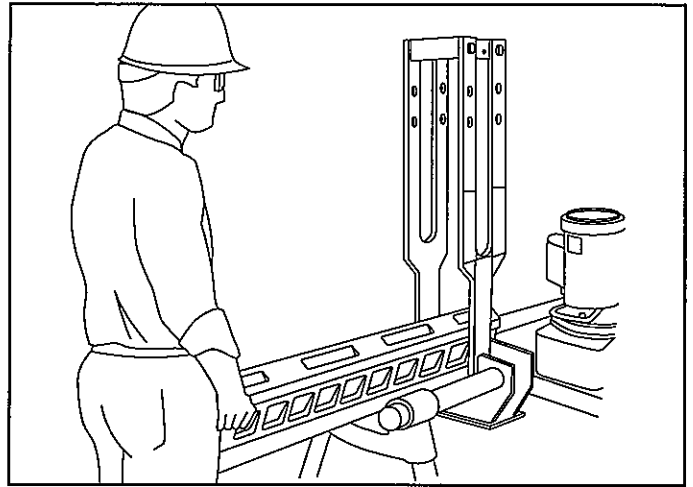
52. Desserrer la chaîne de l'étau.

Instructions d'assemblage et d'utilisation

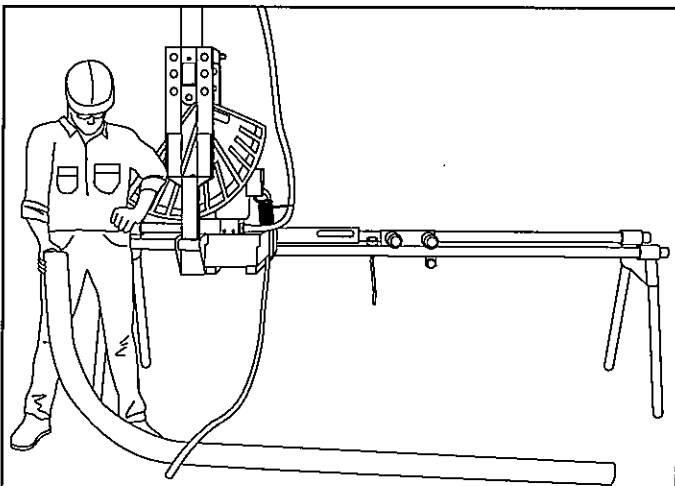
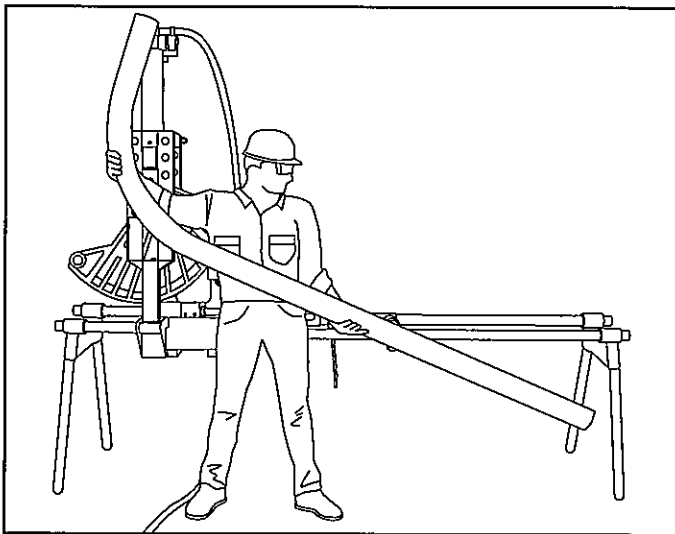
881 et 881CT avec table de cintrage 1813 (suite)



53. Enlever le conduit de la cintreuse.



56. Pour changer de rail suiveur, le pivoter et le déposer.



54 et 55. Le cintrage de 90° est terminé.

Glossaire des termes de cintrage avec illustrations

1. **quantité de décalage** — distance dont un conduit ou un tuyau doit être déroté pour éviter un obstacle ; voir décalage dans ce glossaire et « Décalages » sous « Préparation des cintrages » dans ce manuel

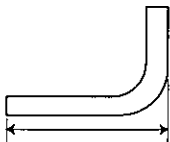


2. **cintre dos-à-dos** — tout cintrage en forme de U constitué de deux coudes de 90 degrés parallèles avec une portion de conduit ou tuyau droite entre les coudes

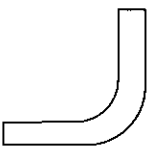
3. **distance centre à centre** — distance entre deux coudes successifs formant un décalage ou un dos d'âne à trois coudes

4. **profondeur de décalage** — synonyme de quantité de décalage

5. **hauteur de décalage** — synonyme de quantité de décalage



6. **longueur de branche** — distance entre l'extrémité d'une portion horizontale d'un conduit ou tuyau et le coude ; mesurée de l'extrémité à la ligne médiane, au bord intérieur ou au bord extérieur du conduit ou du tuyau

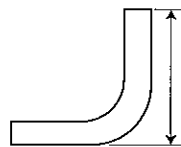


7. **coude à 90°** — tout coude qui change la direction du conduit ou tuyau de 90 degrés

8. **dia. ext.** — taille de tout conduit ou tuyau mesuré par son diamètre extérieur

9. **décalage** — deux coudes d'angles égaux ; s'utilise pour éviter un obstacle sur le passage du conduit ou tuyau

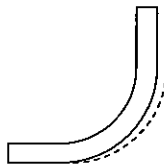
10. **course du vérin** — distance de déplacement du vérin d'une cintreuse hydraulique pour la réalisation d'un coude particulier ; la longueur de la course du vérin est proportionnelle à l'angle de cintrage



11. **élévation** — distance entre l'extrémité d'une portion verticale d'un conduit ou tuyau et le coude ; mesurée de l'extrémité à la ligne médiane, au bord intérieur ou au bord extérieur du conduit ou du tuyau

12. **coup** — cintrage unique

13. **retour élastique** — exprimé en degrés, mesure dans laquelle un conduit ou tuyau tend à se redresser après le cintrage



14. **colonne** — synonyme d'élévation

15. **colonne montante** — synonyme d'élévation

Préparer des cintrages à 90° en un coup

1. Mesurer la longueur de colonne montante requise.
2. Trouver la longueur de colonne minimale dans la Table 2 : Déduction, dimensions de colonne montante et distance minimale depuis l'extrémité du conduit. La colonne montante requise doit être de longueur égale ou supérieure à la longueur de colonne minimale.
3. Mesurer et marquer la longueur de colonne sur le conduit. C'est le repère 1.
4. Trouver la déduction dans la Table 2. Retrancher la valeur de déduction depuis le repère 1 et tracer un nouveau repère. C'est le repère 2, ou repère de cintrage. Trouver la distance minimale depuis l'extrémité dans la Table 2 ; vérifier que le repère 2 est, au minimum, à cette distance de l'extrémité du conduit.
5. Aligner le repère 2 avec le bord extérieur de l'étrier. Cintrer le conduit — voir les instructions sous « Instructions d'assemblage et d'utilisation ».

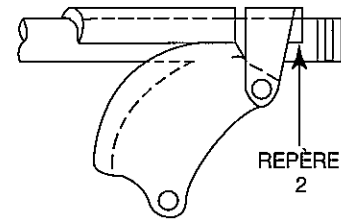
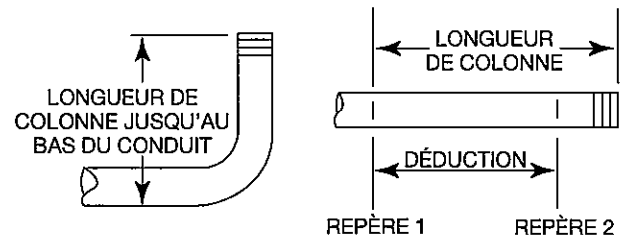


Table 2 — Déduction, dimensions de colonne montante et distance minimale depuis l'extrémité du conduit

DIAMÈTRE DU CONDUIT →	2-1/2	3	3-1/2	4
EMT				
Déduction	21-1/2	24	27-3/4	32-1/4
Longueur de colonne minimale	24	27	31-1/4	36-1/4
Distance minimale depuis l'extrémité	2-1/2	3	3-1/2	4
IMC-RIGIDE				
Déduction	21-1/2	24-1/4	28-1/4	32-1/2
Longueur de colonne minimale	24	26-3/4	30-3/4	35
Distance minimale depuis l'extrémité	2-1/2	2-1/2	2-1/2	2-1/2

Table 3 – Course du vérin

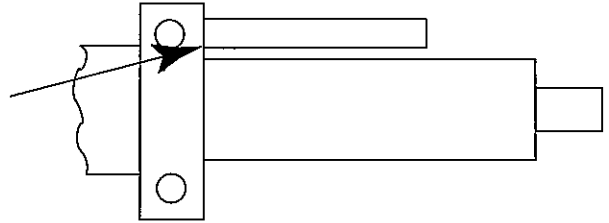
(les valeurs sont approximatives)

Course du vérin : Lire la graduation sur le bord du bloc cylindre.

Remarque : La graduation du vérin doit être réglée sur zéro.

Remarque : **Étalonnage de la cintreuse avant le cintrage :** Serrer la cintreuse en faisant avancer le vérin jusqu'à ce que le sabot, le conduit et le rail suiveur soient fermement serrés (ne pas forcer ni débiter le cintrage). Arrêter la pompe.

Comparer l'indication de la graduation avec la valeur de Serrage 0° de la colonne appropriée dans les tables de course du vérin. Noter tout écart éventuel. Intégrer cet écart dans les mesures de course du vérin utilisées pour le cintrage de conduits de même type et de même diamètre.



Angle de cintrage	EMT					
	2-1/2 (90°)	3 (90°)	3-1/2 (90°)	4 (90°)	3-1/2 (45°)	4 (45°)
Serrage 0°	4-3/16	3-7/8	3-1/8	2-3/8	5	3-9/16
10°	5	4-15/16	4-1/8	3-1/4	6-5/8	5-1/8
15°	5-1/4	5-5/16	4-1/2	3-3/4	7-1/8	5-1/2
30°	6-3/16	6-5/16	5-1/2	4-13/16	8-13/16	6-3/8
45°	7-1/8	7-5/16	6-1/2	6	10-1/4	7-3/4
60°	8	8-3/8	7-1/2	7-1/4	Voir Table 4	Voir Table 4
90°	9-1/2	10-3/8	9-13/16	9-5/8	Voir Table 4	Voir Table 4

Angle de cintrage	IMC					
	2-1/2 (90°)	3 (90°)	3-1/2 (90°)	4 (90°)	3-1/2 (45°)	4 (45°)
Serrage 0°	2-7/8	2-1/4	2-1/16	1-7/16	5	2-3/8
10°	4	3-5/8	3-1/8	2-5/8	6-5/8	4-5/16
15°	4-7/16	4-1/16	3-9/16	3-1/4	7-1/8	4-15/16
30°	5-3/4	5-3/8	5-1/16	4-5/8	8-13/16	6-5/8
45°	7-3/16	6-15/16	6-7/16	6-1/4	10-1/4	8-1/2
60°	8-11/16	8-7/16	7-7/8	7-7/8	Voir Table 4	Voir Table 4
90°	11	11-5/8	10-7/8	11-1/8	Voir Table 4	Voir Table 4

Angle de cintrage	RIGIDE					
	2-1/2 (90°)	3 (90°)	3-1/2 (90°)	4 (90°)	3-1/2 (45°)	4 (45°)
Serrage 0°	2-7/8	2-1/4	2	1-5/16	4-5/8	2-1/8
10°	3-15/16	3-5/8	3	2-3/8	6-3/8	4-1/16
15°	4-3/8	4-1/16	3-1/2	3	6-13/16	4-3/4
30°	5-3/4	5-3/8	4-7/8	4-1/2	8-1/2	6-1/2
45°	7-1/8	6-15/16	6-1/4	6-1/8	10-1/8	8-1/4
60°	8-1/2	8-7/16	7-3/4	7-3/4	Voir Table 4	Voir Table 4
90°	11	11-5/8	10-3/4	11	Voir Table 4	Voir Table 4

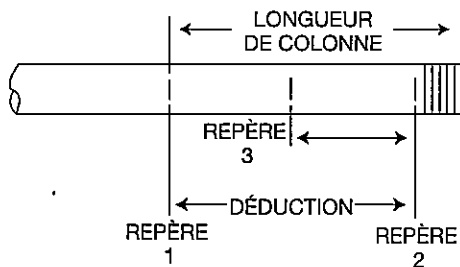
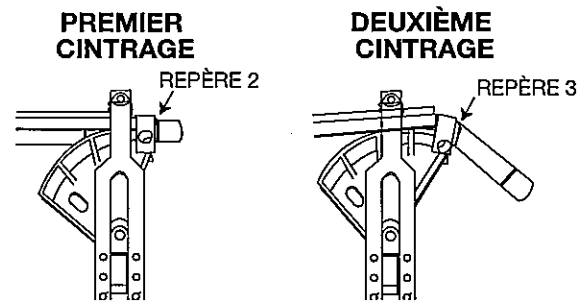
Table 4 — Préparer des cintrages à 90° en deux coups pour conduit de 3-1/2 po et de 4 po (881 seulement)

1. Mesurer la longueur de colonne montante requise.
 2. Trouver la longueur de colonne minimale dans la Table 2 : Déduction, dimensions de colonne montante et distance minimale depuis l'extrémité du conduit. La colonne montante requise doit être de longueur égale ou supérieure à la longueur de colonne minimale.
 3. Mesurer et marquer la longueur de colonne sur le conduit. C'est le repère 1.
 4. Trouver la déduction dans la Table 2. Retrancher la valeur de déduction depuis le repère 1 et tracer un nouveau repère. C'est le repère 2, ou repère de cintrage. Trouver la distance minimale depuis l'extrémité dans la Table 2 ; vérifier que le repère 2 est, au minimum, à cette distance de l'extrémité du conduit.
 5. Mesurer et tracer le repère 3, ou deuxième repère de cintrage :
 - Pour un conduit de 3-1/2 po, le repère 3 doit être à 14-1/2 po du repère 2.
 - Pour un conduit de 4 po, le repère 3 doit être à 15-1/2 po du repère 2.
 6. Voir la valeur « Premier cintrage » dans les tables de cette page. En utilisant la course de vérin suggérée, aligner le repère 2 avec le bord extérieur de l'étrier et cintrer le conduit.
 7. Aligner le repère 3 avec l'extérieur de l'étrier.
- Remarque : Une partie du coude précédent tombe à l'intérieur du sabot.*
8. Cintrer le conduit pour achever le coude de 90°.

EMT	TAILLE DU CONDUIT	PREMIER CINTRAGE	90°
COURSE DU VÉRIN	3-1/2	10-3/16	9-3/4
	4	8-3/16	8-3/16

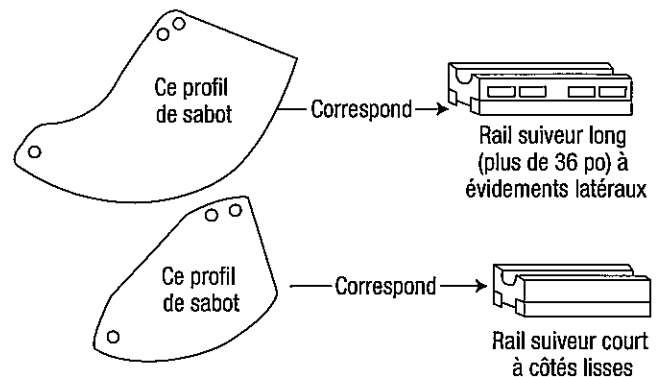
IMC	TAILLE DU CONDUIT	PREMIER CINTRAGE	90°
COURSE DU VÉRIN	3-1/2	11-1/4	10-11/16
	4	9	9-1/16

RIGIDE	TAILLE DU CONDUIT	PREMIER CINTRAGE	90°
COURSE DU VÉRIN	3-1/2	11-1/8	10-1/2
	4	8-5/16	8-7/8



IMPORTANT

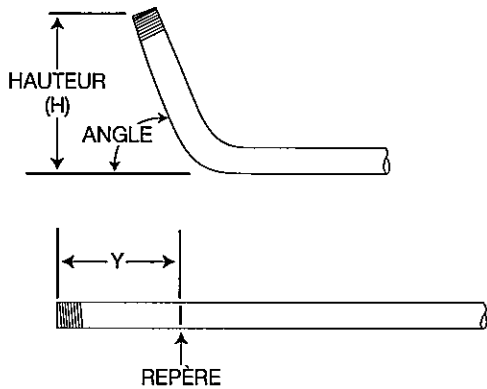
Les sabots et rails suiveurs pour cintrage en deux coups à 45° ne sont pas interchangeable avec les sabots et rails suiveurs pour cintrage monocoup à 90°. Voir l'illustration ci-dessous.



Préparation des cintrages

Les dessins et tables de cintrage qui suivent ont pour objet de fournir les renseignements nécessaires pour la réalisation des types de cintrage les plus courants. La « Table de données de cintrage spéciales » contient des mesures précises pour les cintrages les plus couramment utilisés.

Colonnes



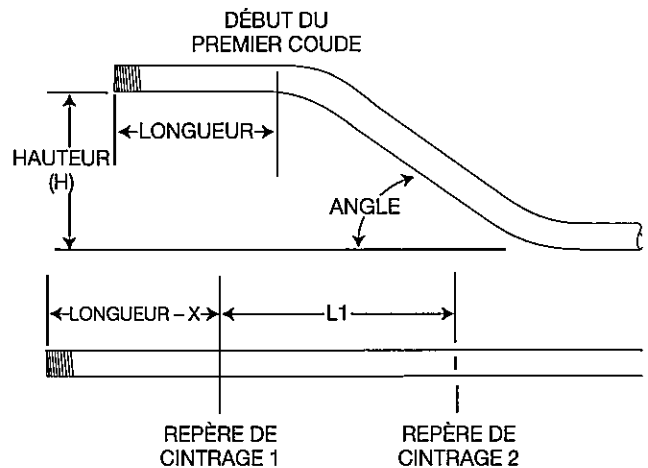
1. Sélectionner la taille et le type de conduit. Déterminer la hauteur de la colonne et l'angle de cintrage.
2. Se reporter à la table qui correspond à la taille et au type de conduit sélectionnés à l'étape 1.
3. Sous la colonne ANGLE, trouver l'angle de cintrage souhaité.
4. Se reporter à la ligne marquée Y. Dans la ligne d'en-tête de la table, trouver la hauteur (H) de la colonne.
5. La valeur indiquée à l'intersection de la ligne Y et de la colonne H souhaitée est la distance Y. Tracer le repère de cintrage à Y pouces de l'extrémité du conduit.
6. Cintrer le conduit.

Décalages

Un décalage sert à faire passer le conduit autour d'un obstacle. Pour réaliser un décalage, deux cintrages égaux sont requis. La distance entre les deux coudes est la distance centre à centre. Elle est représentée par la grandeur L1 dans les tables de cintrage.

Pour réaliser un décalage après l'obstacle, il est nécessaire de déterminer l'emplacement du premier coude. La distance centre à centre est ensuite utilisée pour déterminer l'emplacement du deuxième coude. Voir « Décalages : réalisation après un obstacle ». Pour réaliser un décalage avant l'obstacle, il est nécessaire de déterminer l'emplacement du deuxième coude. La distance centre à centre est ensuite utilisée pour déterminer l'emplacement du premier coude. Voir « Décalages : réalisation avant un obstacle ».

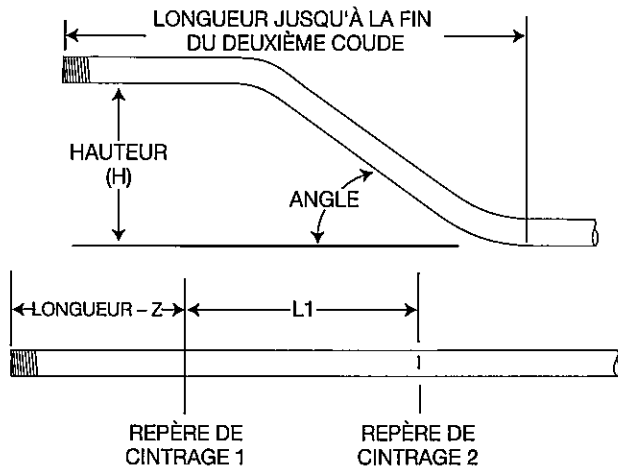
Décalages : réalisation après un obstacle



1. Sélectionner la taille et le type de conduit. Mesurer la hauteur de l'obstacle et la distance LONGUEUR. Sélectionner l'angle à utiliser.
2. Se reporter à la table qui correspond à la taille et au type de conduit sélectionnés à l'étape 1.
3. À droite de la taille et du type de conduit, trouver la dimension X. Retrancher X de la valeur LONGUEUR. Placer le premier repère de cintrage à cette distance par rapport à l'extrémité du conduit.
4. Sous la colonne ANGLE, trouver l'angle de cintrage souhaité. Se reporter à la ligne marquée L1. Dans la ligne d'en-tête de la table, trouver la hauteur (H) du décalage.
5. La valeur indiquée à l'intersection de la ligne L1 et de la colonne H correcte est la valeur L1. Placer le deuxième repère de cintrage à L1 pouces du premier repère de cintrage.
6. Cintrer le conduit.

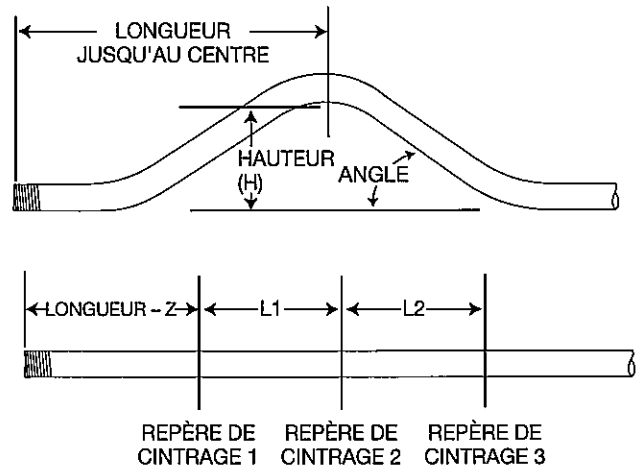
Préparation des cintrages (suite)

Décalages : réalisation avant un obstacle



1. Sélectionner la taille et le type de conduit. Mesurer la hauteur de l'obstacle et la distance LONGUEUR JUSQU'À LA FIN DU DEUXIÈME COUDE. Sélectionner l'angle à utiliser.
2. Se reporter à la table qui correspond à la taille et au type de conduit sélectionnés à l'étape 1.
3. Sous la colonne ANGLE, trouver l'angle de cintrage souhaité. Se reporter à la ligne marquée Z. Dans la ligne d'en-tête de la table, trouver la hauteur (H) du décalage.
4. La valeur indiquée à l'intersection de la ligne Z et de la colonne H correcte est la valeur Z. Retrancher Z de la valeur LONGUEUR JUSQU'À LA FIN DU DEUXIÈME COUDE. Placer le premier repère de cintrage à cette distance par rapport à l'extrémité du conduit.
5. Dans la même colonne, se reporter à la ligne marquée L1. Placer le deuxième repère de cintrage à L1 pouces du premier repère de cintrage.
6. Cintrer le conduit.

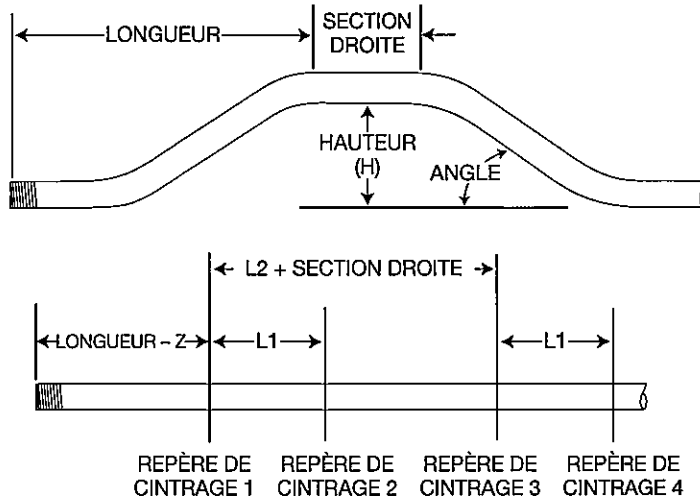
Dos d'âne à trois coudes



1. Sélectionner la taille et le type de conduit. Mesurer la hauteur de l'obstacle et la distance entre l'extrémité du conduit et le centre du coude (LONGUEUR JUSQU'AU CENTRE). Sélectionner l'angle à utiliser.
Remarque : Le deuxième coude est deux fois plus cintré (en degrés) que les premier et troisième coudes.
2. Se reporter à la table qui correspond à la taille et au type de conduit sélectionnés à l'étape 1.
3. Sous la colonne ANGLE, trouver l'angle de cintrage nécessaire. Se reporter à la ligne marquée Z. Dans la ligne d'en-tête de la table, trouver la hauteur (H) du décalage.
4. La valeur indiquée à l'intersection de la ligne Z et de la colonne H correcte est la valeur Z. Retrancher Z de la valeur LONGUEUR JUSQU'AU CENTRE. Placer le premier repère de cintrage à cette distance par rapport à l'extrémité du conduit.
5. Dans la même colonne, se reporter à la ligne marquée L1. Placer le deuxième repère de cintrage à L1 pouces du premier repère de cintrage.
6. Dans la même colonne, se reporter à la ligne marquée L2. Placer le troisième repère de cintrage à L2 pouces du deuxième repère de cintrage.
7. Cintrer le conduit.

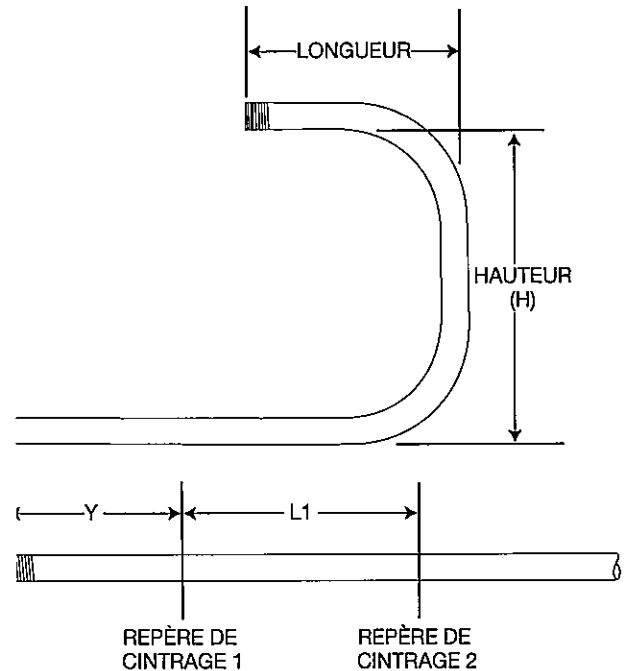
Préparation des cintrages (suite)

Dos d'âne à quatre coudes



1. Sélectionner la taille et le type de conduit. Mesurer la hauteur de l'obstacle, la distance LONGUEUR et la distance SECTION DROITE. Sélectionner l'angle à utiliser.
2. Se reporter à la table qui correspond à la taille et au type de conduit sélectionnés à l'étape 1.
3. Sous la colonne ANGLE, trouver l'angle de cintrage nécessaire. Se reporter à la ligne marquée Z. Dans la ligne d'en-tête de la table, trouver la hauteur (H) du décalage.
4. La valeur indiquée est Z. Retrancher Z de la valeur LONGUEUR. Placer le premier repère de cintrage à cette distance par rapport à l'extrémité du conduit.
5. Dans la même colonne, se reporter à la ligne marquée L1. Placer le deuxième repère de cintrage à L1 pouces du premier repère de cintrage.
6. Dans la même colonne, se reporter à la ligne marquée L2. Ajouter L2 à la valeur SECTION DROITE. Placer le troisième repère de cintrage à cette distance par rapport au premier repère de cintrage.
7. Placer le dernier repère de cintrage à L1 pouces du troisième repère de cintrage.
8. Cintrer le conduit.

Cintrages en U



1. Sélectionner la taille et le type de conduit. Déterminer la LONGUEUR et la HAUTEUR.
2. Se reporter à la table qui correspond à la taille et au type de conduit sélectionnés à l'étape 1.
3. Sous la colonne ANGLE, trouver 90°.
4. Se reporter à la ligne marquée Y. Dans la ligne d'en-tête de la table, trouver la hauteur (H) qui correspond à la valeur LONGUEUR.
5. La valeur indiquée à l'intersection de la ligne Y et de la colonne H souhaitée est la distance Y. Tracer le repère de cintrage à Y pouces de l'extrémité du conduit.
6. Se reporter à la ligne L1, puis se déplacer vers la droite jusqu'à la hauteur (H) qui correspond à la valeur HAUTEUR.
7. La valeur indiquée à l'intersection de la ligne L1 et de la colonne H correcte est la valeur L1. Placer le deuxième repère de cintrage à L1 pouces du premier repère.
8. Cintrer le conduit.

Table de données de cintrage spéciales

DIM.	ANGLE	HAUTEUR - H										
		10"	12"	15"	18"	24"	30"	36"	42"	48"	60"	
2-1/2 EMT		Dia. = 2,875		Rayon = 13,9		x = 6,15						
Y	15,00	25,10	32,83	44,42	56,01	79,19	102,38	125,56	148,74	171,92	218,29	
L1	15,00	38,62	46,34	57,93	69,53	92,71	115,89	139,07	162,25	185,44	231,80	
L2	15,00	42,26	49,98	61,57	73,16	96,35	119,53	142,71	165,89	189,08	235,44	
Z	15,00	47,13	54,59	65,79	76,99	99,38	121,77	144,16	166,56	188,95	233,73	
H MINIMUM = 2,54												
Y	22,50	13,46	18,69	26,53	34,37	50,04	65,72	81,40	97,08	112,76	144,12	
L1	22,50	26,06	31,29	39,13	46,97	62,64	78,32	94,00	109,68	125,36	156,72	
L2	22,50	31,52	36,74	44,58	52,42	68,10	83,78	99,46	115,14	130,82	162,17	
Z	22,50	35,82	40,65	47,89	55,14	69,62	84,11	98,59	113,08	127,56	156,53	
H MINIMUM = 4,47												
Y	30,00	7,25	11,25	17,25	23,25	35,25	47,25	59,25	71,25	83,25	107,25	
L1	30,00	19,83	23,83	29,83	35,83	47,83	59,83	71,83	83,83	95,83	119,83	
L2	30,00	27,11	31,11	37,11	43,11	55,11	67,11	79,11	91,11	103,11	127,11	
Z	30,00	30,92	34,38	39,58	44,78	55,17	65,56	75,95	86,35	96,74	117,52	
H MINIMUM = 6,80												
Y	45,00		3,03	7,27	11,52	20,00	28,49	36,97	45,46	53,94	70,91	
L1	45,00		16,37	20,62	24,86	33,34	41,83	50,31	58,80	67,28	84,25	
L2	45,00		27,29	31,53	35,77	44,26	52,75	61,23	69,72	78,20	95,17	
Z	45,00		29,67	32,67	35,67	41,67	47,67	53,67	56,67	65,67	77,67	
H MINIMUM = 12,49												
Y	60,00			1,49	4,95	11,88	18,81	25,73	32,66	39,59	53,45	
L1	60,00					26,22	33,15	40,07	47,00	53,93	67,79	
L2	60,00					40,77	47,70	54,63	61,56	68,49	82,34	
Z	60,00					36,06	39,52	42,98	46,45	49,91	56,84	
H MINIMUM = 19,23												
Y	90,00					2,51	8,51	14,51	20,51	26,51	38,51	
L1	90,00							30,03	36,03	42,03	54,03	
L2	90,00							51,87	57,87	63,87	75,87	
Z	90,00							33,95	33,95	33,95	33,95	
H MINIMUM = 33,95												
3 EMT		Dia. = 3,5		Rayon = 16,48		x = 5,77						
Y	15,00	23,94	31,66	43,25	54,85	78,03	101,21	124,39	147,57	170,76	217,12	
L1	15,00	38,61	46,34	57,93	69,52	92,70	115,89	139,07	162,25	185,43	231,80	
L2	15,00	42,93	50,65	62,25	73,84	97,02	120,20	143,38	166,57	189,75	236,11	
Z	15,00	47,43	54,89	66,09	77,29	99,68	122,07	144,46	166,86	189,25	234,03	
H MINIMUM = 2,62												
Y	22,50	12,51	17,74	25,58	33,42	49,09	64,77	80,45	96,13	111,81	143,17	
L1	22,50	26,05	31,27	39,11	46,95	62,63	78,31	93,99	109,67	125,35	156,70	
L2	22,50	32,52	37,74	45,58	53,42	69,10	84,78	100,46	116,14	131,82	163,17	
Z	22,50	36,47	41,30	48,54	55,78	70,27	84,75	99,24	113,72	128,21	157,18	
H MINIMUM = 4,72												
Y	30,00	6,31	10,31	16,31	22,31	34,31	46,31	58,31	70,31	82,31	106,31	
L1	30,00	19,80	23,80	29,80	35,80	47,80	59,80	71,80	83,80	95,80	119,80	
L2	30,00	28,43	32,43	38,43	44,43	56,43	68,43	80,43	92,43	104,43	128,43	
Z	30,00	31,92	35,39	40,58	45,78	56,17	66,56	76,96	87,35	97,74	118,52	
H MINIMUM = 7,30												
Y	45,00		1,90	6,14	10,38	18,87	27,36	35,84	44,33	52,81	69,78	
L1	45,00			20,50	24,75	33,23	41,72	50,20	58,69	67,17	84,14	
L2	45,00			33,45	37,69	46,18	54,66	63,15	71,63	80,12	97,09	
Z	45,00			34,42	37,42	43,42	49,42	55,42	61,42	67,42	79,42	
H MINIMUM = 13,73												
Y	60,00			0,02	3,48	10,41	17,34	24,26	31,19	38,12	51,98	
L1	60,00					25,94	32,87	39,80	46,73	53,65	67,51	
L2	60,00					43,20	50,13	57,06	63,98	70,91	84,77	
Z	60,00					38,66	42,12	45,58	49,05	52,51	59,44	
H MINIMUM = 21,48												
Y	90,00					0,00	6,00	12,00	18,00	24,00	36,00	
L1	90,00								34,93	40,93	52,93	
L2	90,00								60,81	66,81	78,81	
Z	90,00								38,73	38,73	38,73	
H MINIMUM = 38,73												

Table de données de cintrage spéciales (suite)

		HAUTEUR - H										
DIM.	ANGLE	10"	12"	15"	18"	24"	30"	36"	42"	48"	60"	
3-1/2 EMT		Dia. = 4		Rayon = 19,18		x = 6,56						
Y	15,00	21,82	29,55	41,14	52,73	75,92	99,10	122,28	145,46	168,65	215,01	
L1	15,00	38,61	46,34	57,93	69,52	92,70	115,88	139,06	165,25	185,43	231,79	
L2	15,00	43,63	51,36	62,95	74,54	97,72	120,90	144,09	167,27	190,45	236,81	
Z	15,00	48,93	56,39	67,59	78,79	101,18	123,57	145,96	168,36	190,75	235,53	
H MINIMUM = 3,00												
Y	22,50	10,53	15,76	23,60	31,43	47,11	62,79	78,47	94,15	109,83	141,19	
L1	22,50	26,03	31,26	39,10	46,94	62,62	78,30	93,97	109,65	125,33	156,69	
L2	22,50	33,56	38,79	46,63	54,47	70,15	85,83	101,51	117,18	132,86	164,22	
Z	22,50	38,33	43,16	50,40	57,65	72,13	86,62	101,10	115,59	130,37	159,04	
H MINIMUM = 5,43												
Y	30,00	4,30	8,30	14,30	20,30	32,30	44,30	56,30	68,30	80,30	104,30	
L1	30,00	19,76	23,76	29,76	35,76	47,76	59,76	71,76	83,76	95,76	119,76	
L2	30,00	29,81	33,81	39,81	45,81	57,81	69,81	81,81	93,81	105,81	129,81	
Z	30,00	34,16	37,62	42,82	48,02	58,41	68,80	79,19	89,58	99,98	120,76	
H MINIMUM = 8,42												
Y	45,00			3,88	8,12	16,61	25,09	33,58	42,06	50,55	67,52	
L1	45,00				24,63	33,12	41,60	50,09	58,57	67,06	84,03	
L2	45,00				39,69	48,18	56,67	65,15	73,64	82,12	99,09	
Z	45,00				40,45	46,45	52,45	58,45	64,45	70,45	82,45	
H MINIMUM = 15,87												
Y	60,00				0,84	7,77	14,7	21,63	28,55	35,48	49,34	
L1	60,00						32,58	39,51	46,44	53,36	67,22	
L2	60,00						52,66	59,59	66,52	73,45	87,31	
Z	60,00						46,03	49,49	52,96	56,42	63,35	
H MINIMUM = 24,86												
Y	90,00						2,26	8,26	14,26	20,26	32,26	
L1	90,00									39,77	51,77	
L2	90,00									69,90	81,90	
Z	90,00									44,92	44,92	
H MINIMUM = 44,92												
4 EMT		Dia. = 4,5		Rayon = 21,5		x = 8,5						
Y	15,00	18,61	26,34	37,93	49,52	72,71	95,89	119,07	142,25	165,43	211,80	
L1	15,00	38,60	46,33	57,92	69,51	92,70	115,88	139,06	162,24	185,43	231,79	
L2	15,00	44,23	51,96	63,55	75,14	98,33	121,51	144,69	167,87	191,05	237,42	
Z	15,00	51,48	58,95	70,14	81,34	103,73	126,12	148,51	170,91	193,30	238,08	
H MINIMUM = 3,67												
Y	22,50	7,48	12,70	20,54	28,38	44,06	59,74	75,42	91,10	106,77	138,13	
L1	22,50	26,02	31,25	39,09	46,93	62,60	78,28	93,96	109,64	125,32	156,68	
L2	22,50	34,46	39,69	47,53	55,37	71,05	86,73	102,41	118,08	133,76	165,12	
Z	22,50	41,20	46,02	53,27	60,51	74,99	89,48	103,96	118,45	132,94	161,91	
H MINIMUM = 6,53												
Y	30,00	1,24	5,24	11,24	17,24	29,24	41,24	53,24	65,24	77,24	101,24	
L1	30,00	19,74	23,74	29,74	35,74	47,74	59,74	71,74	83,74	95,74	119,74	
L2	30,00	30,99	34,99	40,99	46,99	58,99	70,99	82,99	94,99	106,99	130,99	
Z	30,00	37,34	40,81	46,00	51,20	61,59	71,98	82,38	92,77	103,16	123,94	
H MINIMUM = 10,01												
Y	45,00			0,63	4,87	13,35	21,84	30,32	38,81	47,29	64,27	
L1	45,00					33,02	41,50	49,99	58,47	66,96	83,93	
L2	45,00					49,90	58,39	66,87	75,36	83,84	100,81	
Z	45,00					50,31	56,31	62,31	68,31	74,31	86,31	
H MINIMUM = 18,60												
Y	60,00					4,20	11,13	18,06	24,99	31,91	45,77	
L1	60,00						32,33	39,26	46,19	53,11	66,97	
L2	60,00						54,84	61,77	68,70	75,63	89,49	
Z	60,00						50,65	54,11	57,57	61,04	67,97	
H MINIMUM = 28,86												
Y	90,00							3,75	9,75	15,75	27,75	
L1	90,00										50,77	
L2	90,00										84,54	
Z	90,00										51,50	
H MINIMUM = 51,5												

Table de données de cintrage spéciales (suite)

DIM.	ANGLE	HAUTEUR - H										
		10"	12"	15"	18"	24"	30"	36"	42"	48"	60"	
2-1/2 IMC/RIGIDE		Dia. = 2,875		Rayon = 13,9		x = 6,15						
Y	15,00	25,10	32,83	44,42	56,01	79,19	102,38	125,56	148,74	171,92	218,29	
L1	15,00	38,62	46,34	57,93	69,53	92,71	115,89	139,07	162,25	185,44	231,80	
L2	15,00	42,26	49,98	61,57	73,16	96,35	119,53	142,71	165,89	189,08	235,44	
Z	15,00	47,13	54,59	65,79	76,99	99,38	121,77	144,16	166,56	188,95	233,73	
H MINIMUM = 2,54												
Y	22,50	13,46	18,69	26,53	34,37	50,04	65,72	81,40	97,08	112,76	144,12	
L1	22,50	26,06	31,29	39,13	46,97	62,64	78,32	94,00	109,68	125,36	156,72	
L2	22,50	31,52	36,74	44,58	52,42	68,10	83,78	99,46	115,14	130,82	162,17	
Z	22,50	35,82	40,65	47,89	55,14	69,62	84,11	98,59	113,08	127,56	156,53	
H MINIMUM = 4,47												
Y	30,00	7,25	11,25	17,25	23,25	35,25	47,25	59,25	71,25	83,25	107,25	
L1	30,00	19,83	23,83	29,83	35,83	47,83	59,83	71,83	83,83	95,83	119,83	
L2	30,00	27,11	31,11	37,11	43,11	55,11	67,11	79,11	91,11	103,11	127,11	
Z	30,00	30,92	34,38	39,58	44,78	55,17	65,56	75,95	86,35	96,74	117,52	
H MINIMUM = 6,80												
Y	45,00	0,20	3,03	7,27	11,52	20,00	28,49	36,97	45,46	53,94	70,91	
L1	45,00			20,62	24,86	33,34	41,83	50,31	58,80	67,28	84,25	
L2	45,00			31,53	35,77	44,26	52,75	61,23	69,72	78,20	95,17	
Z	45,00			32,67	35,67	41,67	47,67	53,67	59,67	65,67	77,67	
H MINIMUM = 12,49												
Y	60,00			1,49	4,95	11,88	18,81	25,73	32,66	39,59	53,45	
L1	60,00					26,22	33,15	40,07	47,00	53,93	67,79	
L2	60,00					40,77	47,70	54,63	61,56	68,49	82,34	
Z	60,00					36,06	39,52	42,98	46,45	49,91	56,84	
H MINIMUM = 19,23												
Y	90,00					2,51	8,51	14,51	20,51	26,51	38,51	
L1	90,00							30,03	36,03	42,03	54,03	
L2	90,00							51,87	57,87	63,87	75,87	
Z	90,00							33,95	33,95	33,95	33,95	
H MINIMUM = 33,95												
3 IMC/RIGIDE		Dia. = 3,5		Rayon = 16,48		x = 6						
Y	15,00	23,71	31,43	43,02	54,62	77,80	100,98	124,16	147,34	170,53	216,89	
L1	15,00	38,61	46,34	57,93	69,52	92,70	115,89	139,07	162,25	185,43	231,80	
L2	15,00	42,93	50,65	62,25	73,84	97,02	120,20	143,38	166,57	189,75	236,11	
Z	15,00	47,66	55,12	66,32	77,52	99,91	122,30	144,69	167,09	189,48	234,26	
H MINIMUM = 2,68												
Y	22,50	12,28	17,51	25,35	33,19	48,86	64,54	80,22	95,90	111,58	142,94	
L1	22,50	26,05	31,27	39,11	46,95	62,63	78,31	93,99	109,67	125,35	156,70	
L2	22,50	32,52	37,74	45,58	53,42	69,10	84,78	100,46	116,14	131,82	163,17	
Z	22,50	36,70	41,53	48,77	56,01	70,50	84,98	99,47	113,95	128,44	157,41	
H MINIMUM = 4,81												
Y	30,00	6,08	10,08	16,08	22,08	34,08	46,08	58,08	70,08	82,08	106,08	
L1	30,00	19,80	23,80	29,80	35,80	47,80	59,80	71,80	83,80	95,80	119,80	
L2	30,00	28,43	32,43	38,43	44,43	56,43	68,43	80,43	92,43	104,43	128,43	
Z	30,00	32,15	35,62	40,81	46,01	56,40	66,79	77,19	87,58	97,97	118,75	
H MINIMUM = 7,42												
Y	45,00		1,67	5,91	10,15	18,64	27,13	35,61	44,10	52,58	69,55	
L1	45,00			20,50	24,75	33,23	41,72	50,20	58,69	67,17	84,14	
L2	45,00			33,45	37,69	46,18	54,66	63,15	71,63	80,12	97,09	
Z	45,00			34,65	37,65	43,65	49,65	55,65	61,65	67,65	79,65	
H MINIMUM = 13,90												
Y	60,00				3,25	10,18	17,11	24,03	30,96	37,89	51,75	
L1	60,00					25,94	32,87	39,80	46,73	53,65	67,51	
L2	60,00					43,20	50,13	57,06	63,98	70,91	84,77	
Z	60,00					38,89	42,35	45,81	49,28	52,74	59,67	
H MINIMUM = 21,68												
Y	90,00						5,77	11,77	17,77	23,77	35,77	
L1	90,00								34,93	40,93	52,93	
L2	90,00								60,81	66,81	78,81	
Z	90,00								38,96	38,96	38,96	
H MINIMUM = 38,96												



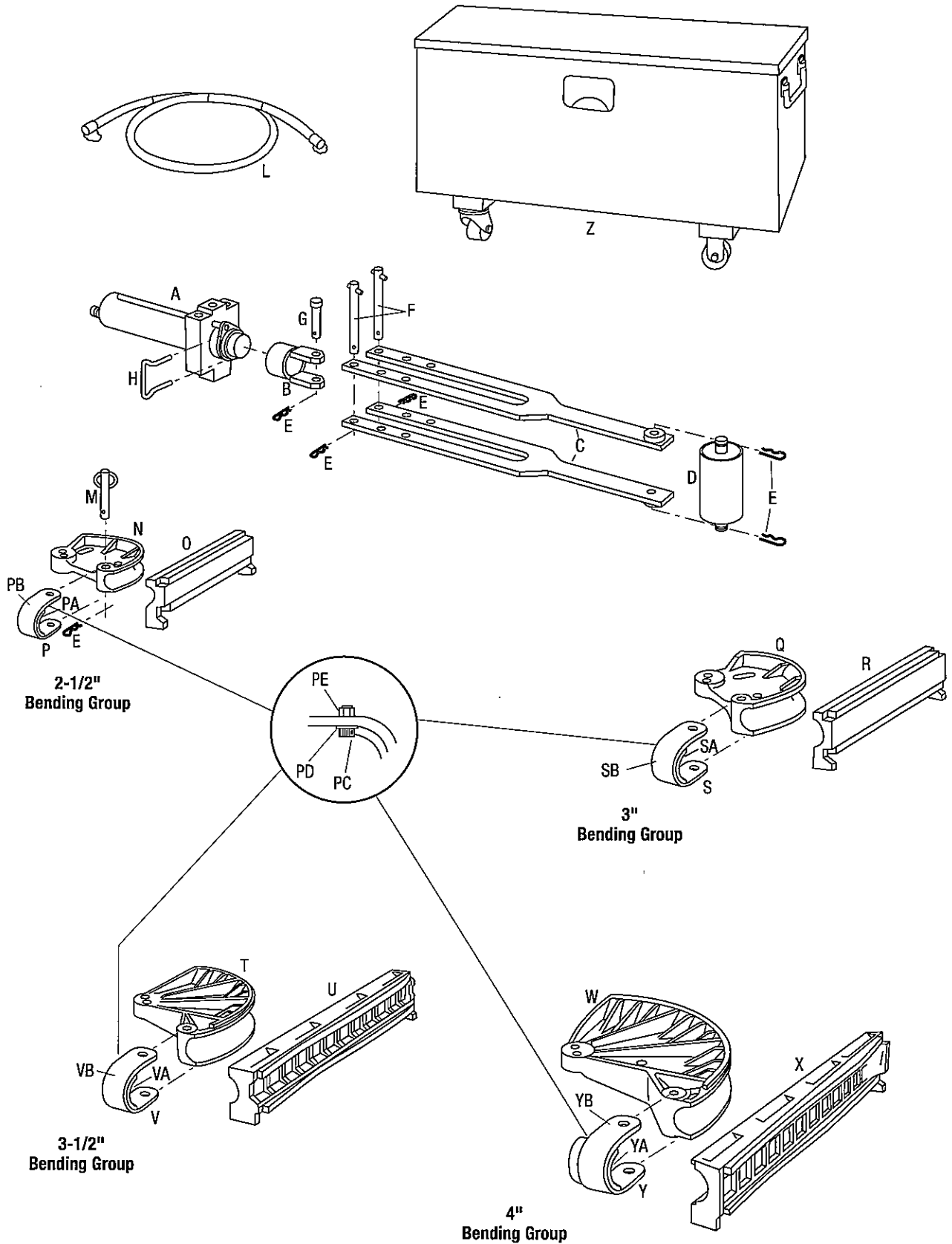
Table de données de cintrage spéciales (suite)

		HAUTEUR - H										
DIM.	ANGLE	10"	12"	15"	18"	24"	30"	36"	42"	48"	60"	
3-1/2 IMC/RIGIDE		Dia. = 4		Rayon = 19,18		x = 7						
Y	15,00	21,38	29,11	40,70	52,29	75,48	98,66	121,84	145,02	168,21	214,57	
L1	15,00	38,61	46,34	57,93	69,52	92,70	115,88	139,06	162,25	185,43	231,79	
L2	15,00	43,63	51,36	62,95	74,54	97,72	120,90	144,09	167,27	190,45	236,81	
Z	15,00	49,37	56,83	68,03	79,23	101,62	124,01	146,40	168,80	191,19	235,97	
H MINIMUM = 3,12												
Y	22,50	10,09	15,32	23,16	30,99	46,67	62,35	78,03	93,71	109,39	140,75	
L1	22,50	26,03	31,26	39,10	46,94	62,62	78,30	93,97	109,65	125,33	156,69	
L2	22,50	33,56	38,79	46,63	54,47	70,15	85,83	101,51	117,18	132,86	164,22	
Z	22,50	38,77	43,60	50,84	58,09	72,57	87,06	101,54	116,03	130,51	159,48	
H MINIMUM = 5,60												
Y	30,00	3,86	7,86	13,86	19,86	31,86	43,86	55,86	67,86	79,86	103,86	
L1	30,00	19,76	23,76	29,76	35,76	47,76	59,76	71,76	83,76	95,76	119,76	
L2	30,00	29,91	33,81	39,81	45,81	57,81	69,81	81,81	93,81	105,81	129,81	
Z	30,00	34,60	38,06	43,26	48,46	58,85	69,24	79,63	90,02	100,42	121,20	
H MINIMUM = 8,64												
Y	45,00			3,44	7,68	16,17	24,65	33,14	41,62	50,11	67,08	
L1	45,00				24,63	33,12	41,60	50,09	58,57	67,06	84,03	
L2	45,00				39,69	48,18	56,67	65,15	73,64	82,12	99,09	
Z	45,00				40,89	46,89	52,89	58,89	64,89	70,89	82,89	
H MINIMUM = 16,19												
Y	60,00				0,40	7,33	14,26	21,19	28,11	35,04	48,90	
L1	60,00						32,58	39,51	46,44	53,36	67,22	
L2	60,00						52,66	59,59	66,52	73,45	87,31	
Z	60,00						46,47	49,93	53,40	56,86	63,79	
H MINIMUM = 25,24												
Y	90,00						1,82	7,82	13,82	19,82	31,82	
L1	90,00									39,77	51,77	
L2	90,00									69,90	81,90	
Z	90,00									45,36	45,36	
H MINIMUM = 45,36												
4 IMC/RIGIDE		Dia. = 4,5		Rayon = 21,5		x = 8,75						
Y	15,00	18,36	26,09	37,68	49,27	72,46	95,64	118,82	142,00	165,18	211,55	
L1	15,00	38,60	46,33	57,92	69,51	92,70	115,88	139,06	162,24	185,43	231,79	
L2	15,00	44,23	51,96	63,55	75,14	98,33	121,51	144,69	167,87	191,05	237,42	
Z	15,00	51,73	59,20	70,39	81,59	103,98	126,37	148,76	171,16	193,55	238,33	
H MINIMUM = 3,73												
Y	22,50	7,23	12,45	20,29	28,13	43,81	59,49	75,17	90,85	106,52	137,88	
L1	22,50	26,02	31,25	39,09	46,93	62,60	78,28	93,96	109,64	125,32	156,68	
L2	22,50	34,46	39,69	47,53	55,37	71,05	86,73	102,41	118,08	133,76	165,12	
Z	22,50	41,45	46,27	53,52	60,76	75,24	89,73	104,21	118,70	133,19	162,16	
H MINIMUM = 6,62												
Y	30,00	0,99	4,99	10,99	16,99	28,99	40,99	52,99	64,99	76,99	100,99	
L1	30,00		23,74	29,74	35,74	47,74	59,74	71,74	83,74	95,74	119,74	
L2	30,00		34,99	40,99	46,99	58,99	70,99	82,99	94,99	106,99	130,99	
Z	30,00		41,06	46,25	51,45	61,84	72,23	82,63	93,02	103,41	124,19	
H MINIMUM = 10,13591												
Y	45,00			0,38	4,62	13,10	21,59	30,07	38,56	47,04	64,02	
L1	45,00					33,02	41,50	49,99	58,47	66,96	83,93	
L2	45,00					49,90	58,39	66,87	75,36	83,84	100,81	
Z	45,00					50,56	56,56	62,56	68,56	74,56	86,56	
H MINIMUM = 18,78												
Y	60,00					3,95	10,88	17,81	24,74	31,66	45,52	
L1	60,00						32,33	39,26	46,19	53,11	66,97	
L2	60,00						54,84	61,77	68,70	75,63	89,49	
Z	60,00						50,90	54,36	57,82	61,29	68,22	
H MINIMUM = 29,08												
Y	90,00							3,50	9,50	15,50	27,50	
L1	90,00										50,77	
L2	90,00										84,54	
Z	90,00										51,75	
H MINIMUM = 51,75												

Dépannage

Problème	Cause probable	Solution probable
Plissement du tube EMT.	Broche du sabot en mauvaise position.	Placer la broche du sabot dans le trou marqué EMT.
	Rail suiveur à l'envers.	Démonter le rail suiveur et l'insérer avec le côté marqué START vers l'étrier.
	Débris ou dommages sur les surfaces de contact entre le sabot et le rail suiveur.	Nettoyer le sabot et le rail suiveur. Le cas échéant, changer le sabot ou le rail suiveur.
	Le rail suiveur n'est pas placé à moins de 1 po du début du coude.	Placer le rail suiveur conformément aux instructions de cintrage.
	Rail suiveur non centré sur le galet au début du coude.	Centrer le rail suiveur sur le galet.
	Gorge du sabot ou du rail suiveur usée ou évasée.	Changer le sabot ou le rail suiveur.
	Le galet ne roule pas sur l'arbre.	Lubrifier le galet.
Froissement latéral du tube EMT.	Conduit de résistance élevée.	Utiliser du tube EMT standard.
	Rail suiveur non centré sur le galet au début du coude.	Centrer le rail suiveur sur le galet.
	Le conduit n'est pas de niveau (lors du cintrage sur le sol).	Mettre le conduit de niveau.
	Débris ou dommages sur les surfaces de contact entre le sabot et le rail suiveur.	Nettoyer le sabot et le rail suiveur. Le cas échéant, changer le sabot ou le rail suiveur.
	Étau à tuyau sur la table 1813 monté trop près de la cintreuse.	Éloigner l'étau de la cintreuse.
Impossible de cintrer le tube EMT.	Gorge du rail suiveur usée ou évasée.	Changer le rail suiveur.
	Rail suiveur à l'envers.	Démonter le rail suiveur et l'insérer avec le côté marqué START vers l'étrier.
Plissement du tube IMC/rigide.	Rail suiveur à l'envers.	Démonter le rail suiveur et l'insérer avec le côté marqué START vers l'étrier.
Froissement latéral du tube IMC/rigide.	Le conduit n'est pas de niveau (lors du cintrage sur le sol).	Mettre le conduit de niveau.
	Rail suiveur non centré sur le galet au début du coude.	Centrer le rail suiveur sur le galet.
Impossible de cintrer le tube IMC/rigide.	Broche du sabot en mauvaise position.	Placer la broche du sabot dans le trou marqué IMC/RIGID.
	Rail suiveur à l'envers.	Démonter le rail suiveur et l'insérer avec le côté marqué START vers l'étrier.
Le vérin n'avance pas.	Pas assez de liquide hydraulique dans la pompe.	Compléter le niveau. Voir les instructions fournies avec la pompe.
	Évent de pompe fermé.	Ouvrir l'évent de pompe.
	Raccords de flexible mal serrés.	Serrer les raccords de flexible.
	Chute de tension excessive en raison de la longueur du cordon électrique.	Utiliser un cordon électrique plus court ou plus gros.

Illustration—Major Components of 881 and 881CT



Parts List—881 and 881CT

Key	Part No.	Description	Qty
A	50274163	Ram, 40-ton (see separate parts list).....	1
B	50303090	Yoke	1
C	50263099	Connecting bar unit (includes the next three items)	2
	50266284	Bushing	2
	90529324	Screw, cap, 5/16–18 x .750 socket head.....	4
	50027549	Decal, warning	2
D	50273647	Roller unit (includes two Key E)	1
E	90503023	Clip, hitch pin, #8	6
F	50273817	Cylinder block pin unit (includes one Key E).....	2
G	50263064	Pin, yoke, 1.24 x 5.80.....	1
H	50263498	Clip, spring	1
L	50112899	Hose unit, 3/8 x 6' with couplers (includes the following two items).....	1
	90507606	Hose, hydraulic, 3/8 x 6', 3/8 M NPTF.....	1
	90508238	Coupler, quick, 3/8 male	2
M	50266241	Saddle pin unit (includes the following item)	1
	90503023	Clip, hitch pin, #8	1

Parts List—Shoe Groups for the 881 and 881CT

Key	Part No.	Description	Qty
	50275542	2-1/2" one-shot 90° shoe group (13-1/2" centerline bending radius)	
N	50262971	2-1/2" shoe	1
O	50263668	2-1/2" follow bar unit (includes the following two items).....	1
	50263641	Bar, reinforcement, 2-1/2"	2
	90502264	Screw, cap, 5/16–18 x 1.25 socket head	6
P	50265806	2-1/2" saddle (includes PA, PB, PC).....	1
PA	50265830	2-1/2" saddle insert	1
PB	50265814	2-1/2" saddle strap	1
PC	90510887	Screw, cap	2
	50275550	3" one-shot 90° shoe group (16" centerline bending radius)	
PD	90500288	Lock washer.....	2
PE	90526465	Lock nut	2
Q	50263005	3" Shoe	1
R	50354000	3" follow bar +.....	1
		+ to order both reinforcement bars for this follow bar, order the following item:	
	50354671	Conversion kit, 3" reinforcement bar	
S	50265849	3" saddle (includes SA, SB, PC)	1
SA	50265873	3" saddle insert.....	1
SB	50265857	3" saddle strap.....	1
PC	90510887	Screw, cap	2
PD	90500288	Lock washer.....	2
PE	90526465	Lock nut	2

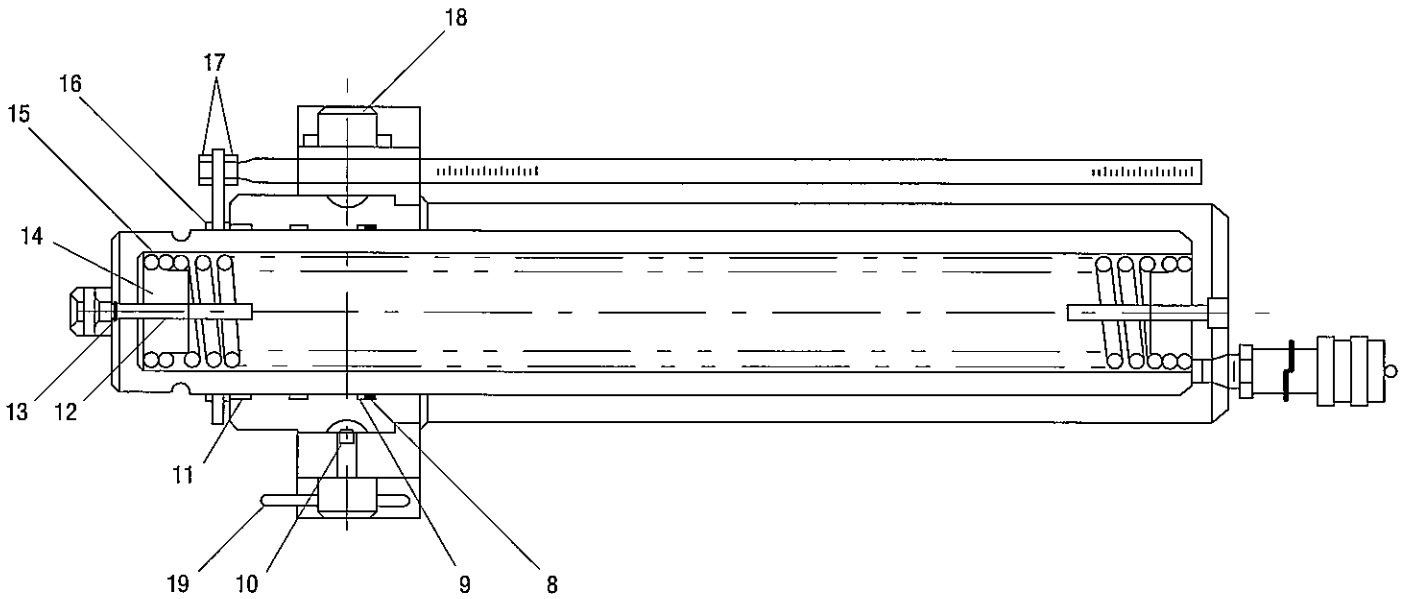
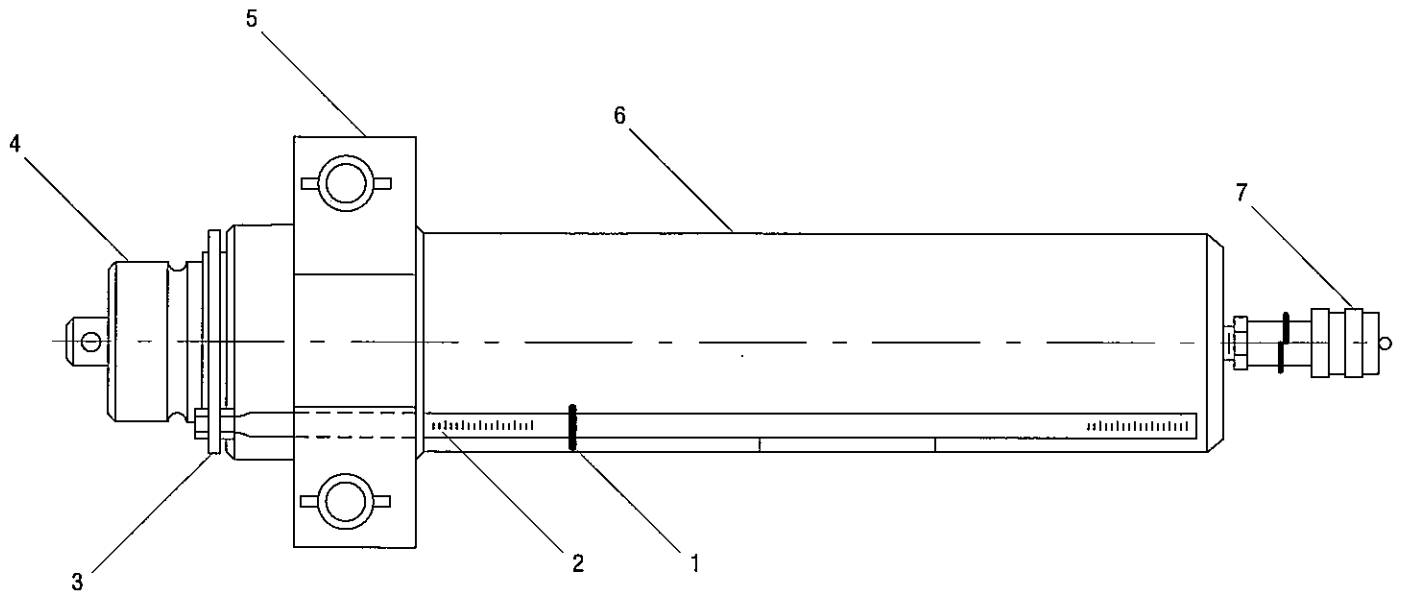
Parts List—Shoe Groups for the 881CT Only

Key	Part No.	Description	Qty
	50312812	3-1/2" one-shot 90° shoe group (18-5/8" centerline bending radius) (includes T, U, V)	
T	50318829	3-1/2" shoe	1
U	50312782	3-1/2" follow bar (to replace, order 50318810).....	1
	50312774	Bar, reinforcement 3-1/2"	2
	90502248	Screw, cap, 5/16-18 x 1.00 socket head	4
	90502264	Screw, cap, 5/16-18 x 1.25 socket head	2
V	50265881	3-1/2" saddle (includes the next two items and PC)	1
VA	50265938	3-1/2" saddle insert	1
VB	50265903	3-1/2" saddle strap	1
PC	90510887	Screw, cap	2
PD	90500288	Lock washer.....	2
PE	90526465	Lock nut	2
	50312740	4" one-shot 90° shoe group (20-7/8" centerline bending radius) (includes W, X, Y)	
W	50318845	4" shoe.....	1
X	50312715	4" follow bar (to replace, order 50318837).....	1
	50312707	Bar, reinforcement, 4"	2
	90502248	Screw, cap, 5/16-18 x 1.00 socket head	4
	90502264	Screw, cap, 5/16-18 x 1.25 socket head	2
Y	50265946	4" saddle (includes the next two items and PC).....	1
YA	50265970	4" saddle insert.....	1
YB	50265954	4" saddle strap.....	1
PC	90510887	Screw, cap	2
PD	90500288	Lock washer.....	2
PE	90526465	Lock nut	2

Parts List—Shoe Groups for the 881CT Only

Key	Part No.	Description	Qty
	50275569	3-1/2" shoe group (18-5/8" centerline bending radius) (includes T, U, V)	
T	50263021	3-1/2" shoe	1
U	50263897	3-1/2" follow bar unit (includes the following two items).....	1
	50263927	Bar, reinforcement, 3-1/2".....	2
	90502264	Screw, cap, 5/16-18 x 1.25 socket head.....	6
	50275577	4" shoe group (21" centerline bending radius) (includes W, X, Y)	
W	50263056	4" Shoe	1
X	50312928	4" follow bar unit (includes the following two items).....	1
	50312936	Bar, reinforcement, 4"	2
	90502264	Screw, cap, 5/16-18 x 1.25 socket head.....	6
Z	50233637	Box, job.....	1
	50302396	Set, casters (two rigid, two swivel).....	1

Illustration—Ram (50274163)



Parts List—Ram (50274163)

Key	Part No.	Description	Qty
1	90528670	O-ring, .437 x .625 x .093	1
2	50219480	Scale, piston	1
3	50219499	Bracket, scale	1
4	50162667	Piston, hydraulic	1
5	50274171	Block, cylinder	1
6	50162675	Cylinder, hydraulic.....	1
7	90508076	Coupler, quick, 3/8" female.....	1
8	90508300	O-ring, 3.25 x 3.62 x .187	1
9	90508297	Back-up ring, spiral, 3.25 x 3.62 x .185.....	1
10	90522176	Screw, set, 3/8–16 x .500 socket.....	1
11	50172050	Liner, cylinder.....	1
12*	50106708	Screw, tension spring.....	2
12A*	50031406	Screw, tension spring.....	2
13*	50034200	Washer, flat, .321 x .428 x .040 nylon	2
13A*	50134965	Washer, flat, .321 x .460 x .040 nylon	2
14	50106627	Retainer, spring	2
15	50106619	Spring, extension, 1.70 x 2.33 x 16.6	1
16	52060457	Ring, retaining, 3.25 Truarc	2
17	90508483	Nut, hex, 3/8–24 light jam	2
18	50273817	Pin unit, cylinder block, 1.13 x 10.2 (includes Key 19).....	2
19	90503023	Clip, hitch pin #8	2
	50235605	Decal (not shown)	1
	50343165	Decal, read IM (not shown)	1
	50354990	Decal, warning (not shown).....	1
	50137972	Packing kit, repair (includes 8, 9, 13, and 13A) Items 12 and 13 were used prior to April 1997; items 12A and 13A have been used since April 1997. Use 12A and 13A if possible.	

Parts List—1813 Bending Table (50289012)

Key	Part No.	Description	Qty
23	50215418	Leg support unit (includes Key 24)	2
24	90517873	Screw, cap, 1/2–13 x 1.00 hex head.....	12
25	50213466	Leg	4
26	50290045	Support, pump table.....	2
27	50288857	Mounting unit, bender (includes Key 28)	1
28	90505328	Screw, cap, 3/8–16 x 1.25 hex head.....	2
29	50290142	Fitting unit, hydraulic coupling (includes Keys 30–32).....	1
30	90508076	Coupler, quick, 3/8" female.....	1
31	90511379	Elbow, 3/8 NPTF 90° street.....	1
32	90508238	Coupler, quick, 3/8" male.....	1
33	50290223	Positioner, ram	1
34	90547667	Clamp, pipe.....	4
35	50213180	Gage, bending (not shown).....	1
36	50232746	Box (not shown)	1
37	50351320	Decal, identification (not shown).....	1
38	50289004	Vise unit, pipe (includes Keys 39–63)	1
39	90517881	Screw, shoulder, .750 x 2.75 x 5/8–11	6
40	50247204	Roller, .767 x 2.50 x 2.12.....	2
41	90524713	Screw, cap, 1/2–13 x 3.25 hex head.....	2
42	90505441	Screw, cap, 1/2–13 x 1.50 hex head.....	1
43	90515102	Washer, flat, .531 x 1.06 x .093.....	3
44	50279947	Vise unit, bench (includes Keys 45–57).....	1
45	50249711	Chain, leaf, 23"	1
46	90511662	Screw, cap, 5/16–18 x 2.00 hex head.....	2
47	50290037	Jaw, vise.....	4
48	90506383	Nut, hex, 5/16–18, full.....	2
49	50273728	Spool, .656 x 1.50 x 1.87	2
50	50273167	Table, vise chain.....	1
51	50255509	Handle unit, vise chain.....	1
52	50255533	Screw, vise chain	1
53	50249878	Spacer, .775 x 1.23 x .062	1
54	50264303	Pin, chain, .242 x .750.....	1
55	90504208	Pin, roll, .125 x 1.00	1
56	50249851	Roller, .390 x .998 x .625.....	1
57	90531604	Pin, drive, .375 x 1.75	1
58	90526104	Nut, hex, 5/8–11 lock head thin	4
59	50288938	Carriage unit.....	1
60	50213512	Spacer, .824 x 1.05 x .38	2
61	50247654	Roller, .767 x 1.50 x 2.68.....	4
62	90527941	Nut, hex, 1/2–13 zinc-plated.....	3
63	90505077	Washer, lock, .516 x .871 x .099 spring	3
	50121219	Decal, Safety (not shown)	1
64	90538242	Bracket, pump	4
65	90509757	Screw, cap, 1/4–20 x 1.00 hex head (for the 960 SAPS pump).....	4
66	90511859	Screw, machine, 1/4–20 x .500 round head (for the 980 pump).....	4
67	90516745	Washer, lock, .259 x .489 x .062	4
68	90515935	Nut, hex, 1/4–20 steel (for the 960 SAPS pump)	4

Parts List—Decals

Part No.	Description	Qty
For the 881 (50277782)		
50265989	Decal, bender ram travel.....	1
50265997	Decal, parts list	1
50266012	Decal, bender offset.....	1
50266020	Decal, bender 90° stub	1
50326880	Decal, caution	1
50351397	Decal, identification.....	1
For the 881CT (50312871)		
50313045	Decal, bender ram travel.....	1
50313061	Decal, parts list	1
50319094	Decal, offset	1
50326880	Decal, caution	1
50351419	Decal, identification.....	1
On the Ram (50274163)		
50235605	Decal, Greenlee.....	1
50343165	Decal, read IM.....	1
50354990	Decal, warning	1
On the Job Box (50233637)		
50009940	Decal, danger.....	1
50010573	Decal, warning	1
50264109	Decal, identification.....	1
50351028	Decal, Greenlee.....	1