

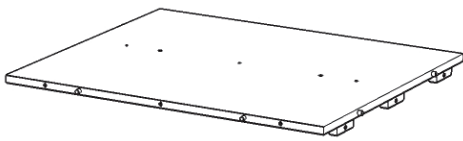
IMPORTANT

Carefully remove all the parts from the carton and place them individually on a soft cloth to prevent scratches or other damage.

Carefully and strictly follow these assembly instructions to ensure a completed product as designed.

Do not use power tools above 8 volts to assemble.

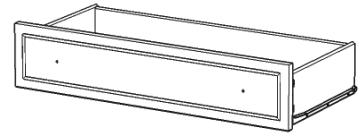
Part List



D.
Bottom
1 pc.



H.
Plinth
2 pcs.



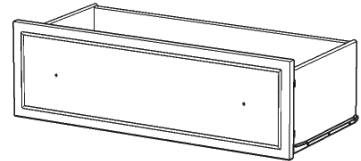
I.
Drawer
1 pc.



E.
Shelf
3 pcs.



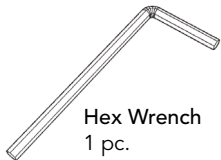
G.
Rail
2 pcs.



J.
Drawer
2 pcs.

Refer to later page(s) of these instructions for drawer assembly.

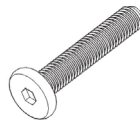
Hardware List



Hex Wrench
1 pc.



Cam Lock Screw
24 pcs. (+2 extra)



M6x32
Head Cap Bolt
12 pcs. (+1 extra)



Flat Washer
12 pcs. (+1 extra)



Spring Washer
12 pcs. (+1 extra)



Small Hex Wrench
1 pc.



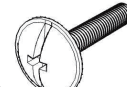
Cam Lock
24 pcs. (+6 extra)



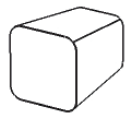
M3.5x32
Wood Screw
4 pcs. (+1 extra)



Adjustable Pin
12 pcs. (+1 extra)



M4x25
Machine Screw
6 pcs.



Knob
6 pcs.

Cartons 20 05436 0921 and 0922 are also needed for assembly.

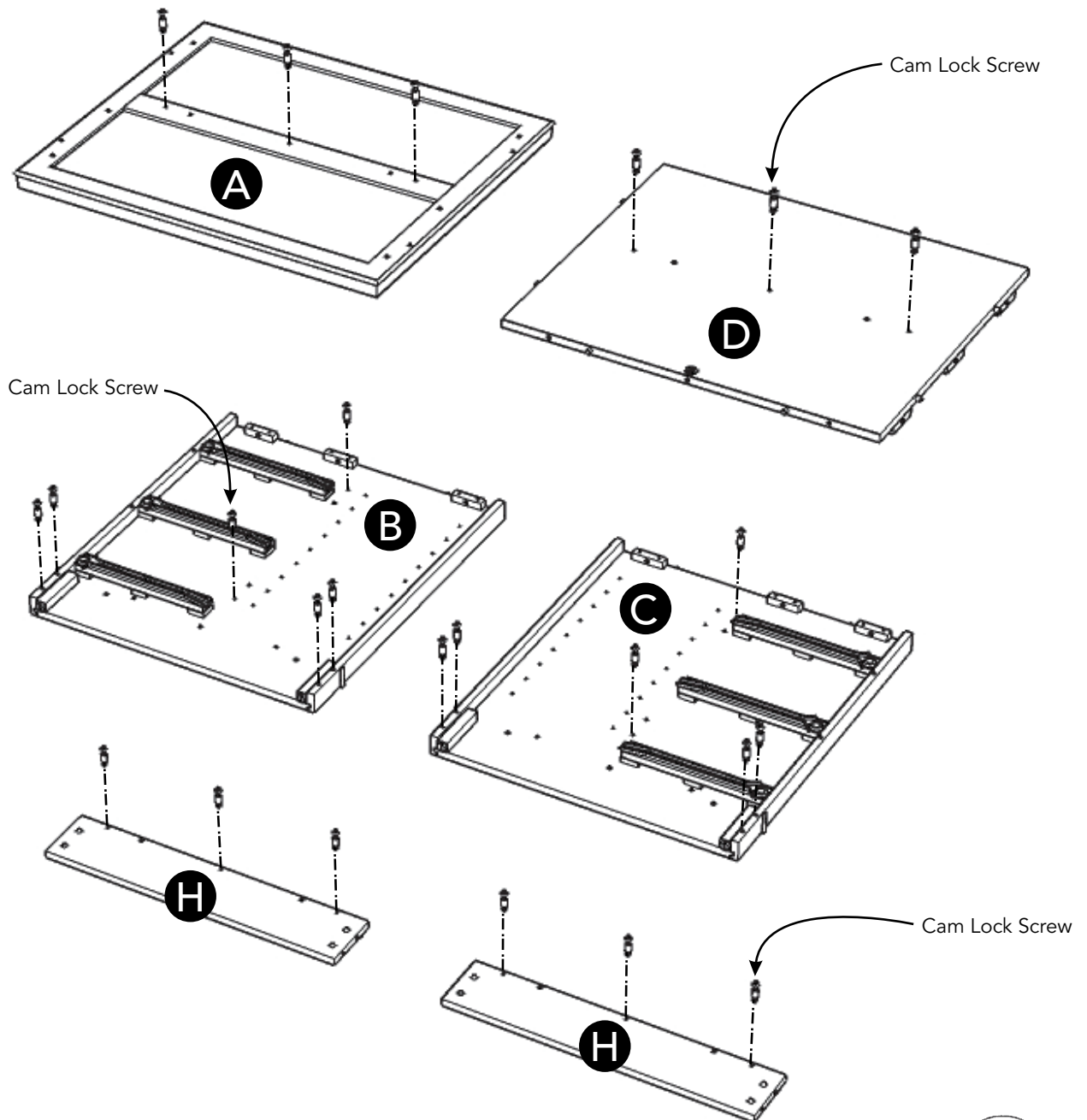
Tool(s) required for assembly: Phillips screwdriver, Level, Drill (8 volts or less), 3/16" Drill Bit, 3/8" Drill Bit

Home Styles Customer Service: www.homestyles-furniture.com,
 servicedesk@homestyles-furniture.com, 888-680-7460, 877-831-0319

Assembly Instructions 2/8

IMPORTANT

- Use a soft cloth between these parts and the floor.
- Do not use power tools above 8 volts to assemble.
- Do not tighten all the screws until each part is properly assembled.
- The unit must be level to work properly. Use the included adjustable levelers to level.
- Keep Hex Wrench as the bolts may need to be tightened in the future.



STEP 1

Insert Cam Lock Screws into pre-drilled holes in Top (A), Side Panels (B), (C), Bottom (D) and Plinths (H), then tighten. (See Figure 1)

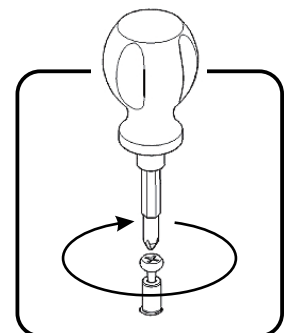


Figure 1

Assembly Instructions 3/8

STEP 2

Attach Back Panel (F) to Bottom (D) with Cam Locks. (See Figure 2)

Note: Arrow label indicates front of Bottom (D).

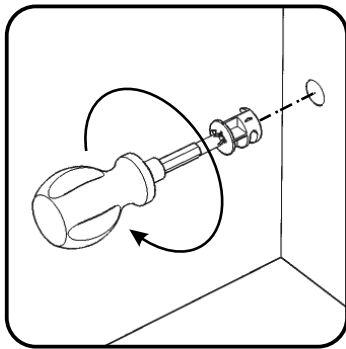
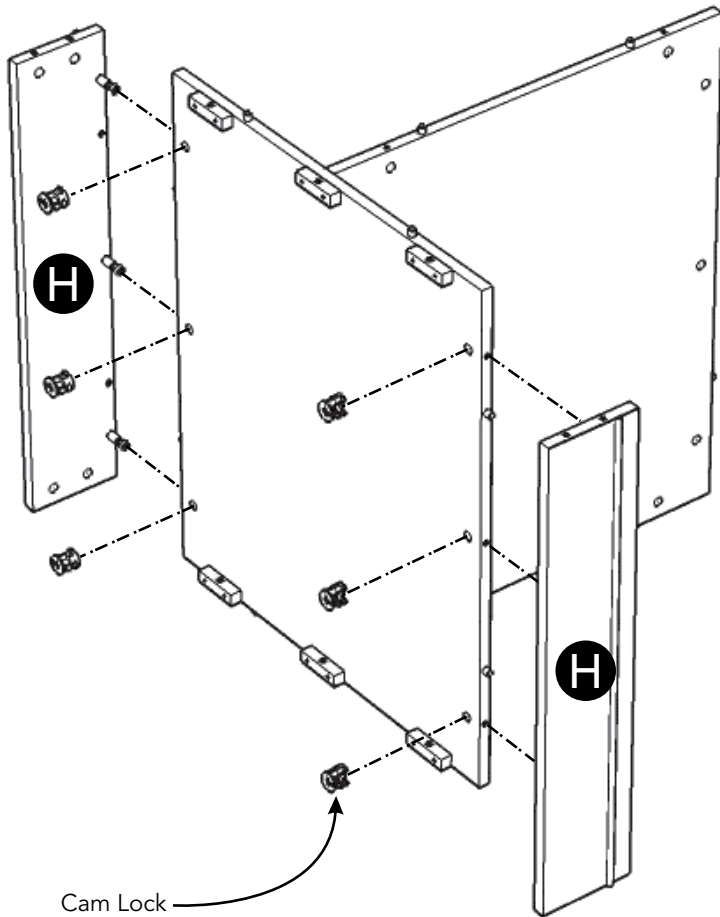
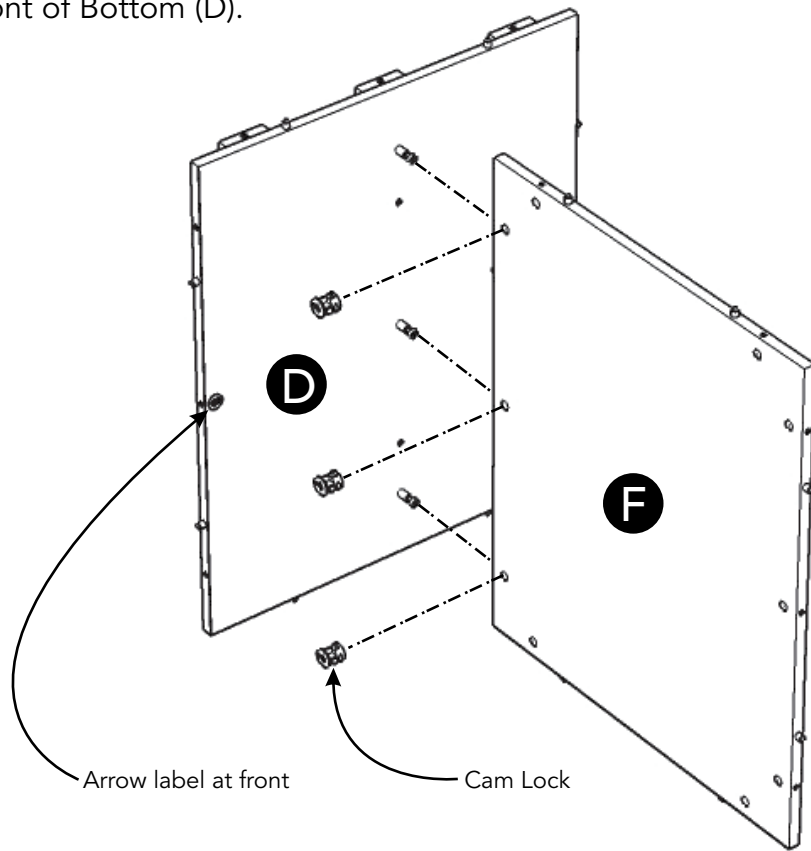


Figure 2



STEP 3

Attach Plinths (H) to unit with Cam Locks.

Assembly Instructions 4/8

STEP 4

Attach unit to Side Panel (C) with Cam Locks, Flat Washers, Spring Washers and Head Cap Bolts, tightening bolts only halfway. (See Figure 3)

Attach Rails (G) to unit with Wood Screws, into pre-drilled holes. (See Figure 4)

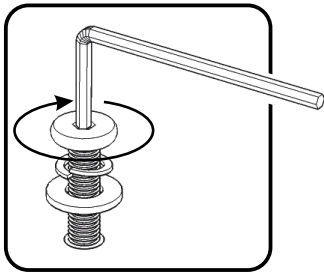


Figure 3

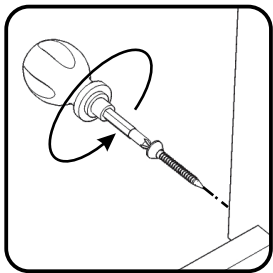
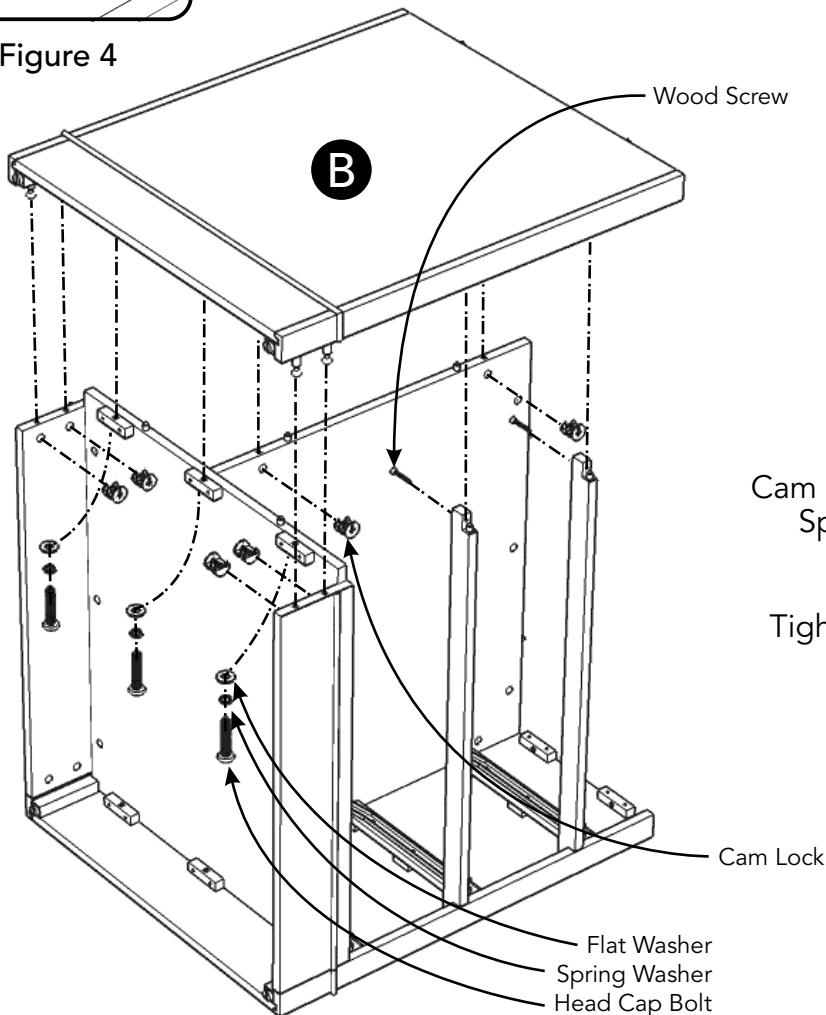
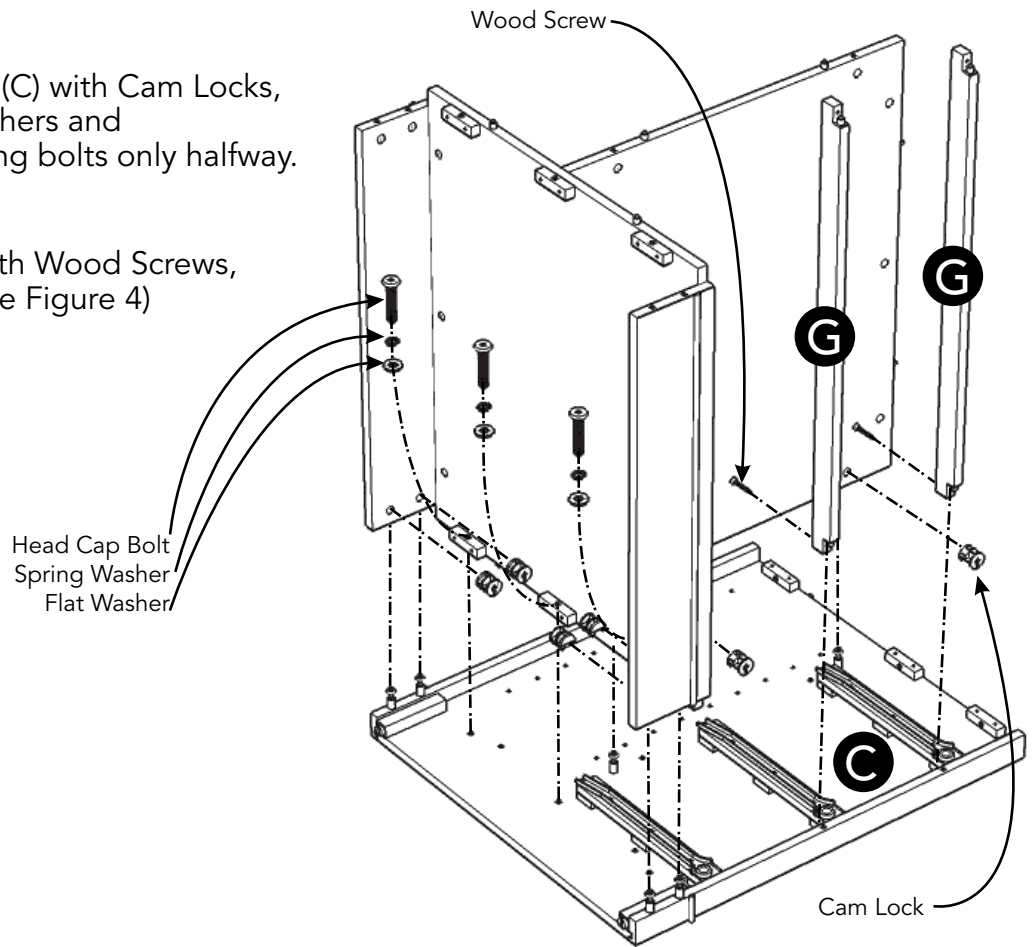


Figure 4



STEP 5

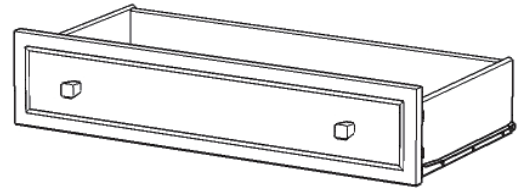
Attach Side Panel (B) to unit with Cam Locks, Wood Screws, Flat Washers, Spring Washers and Head Cap Bolts, tightening bolts only halfway.

Tighten all bolts used in Steps 4 and 5.

Turn unit to its' upright position.

Assembly Instructions 5/8

Drawer (I)



STEP 6

Attach Drawer Sides (I3) and (I4) to Drawer Back (I2), then flip Locks. (See Figures 5 and 6)

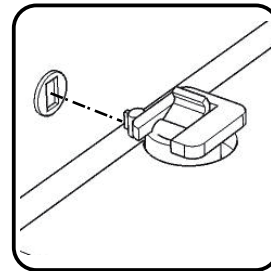
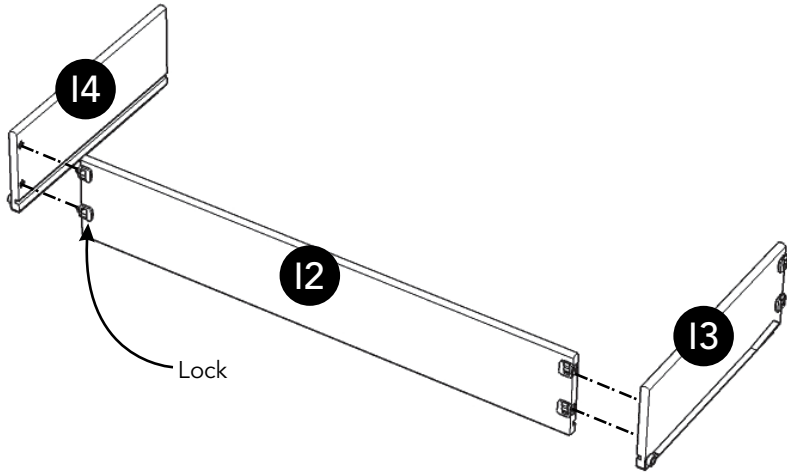


Figure 5

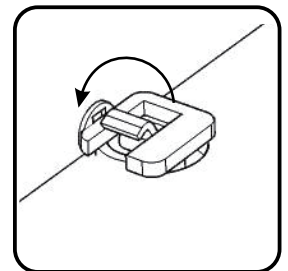
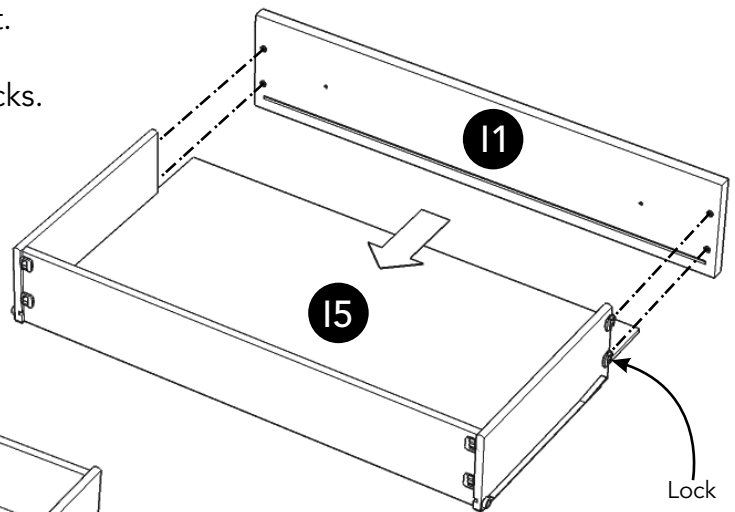
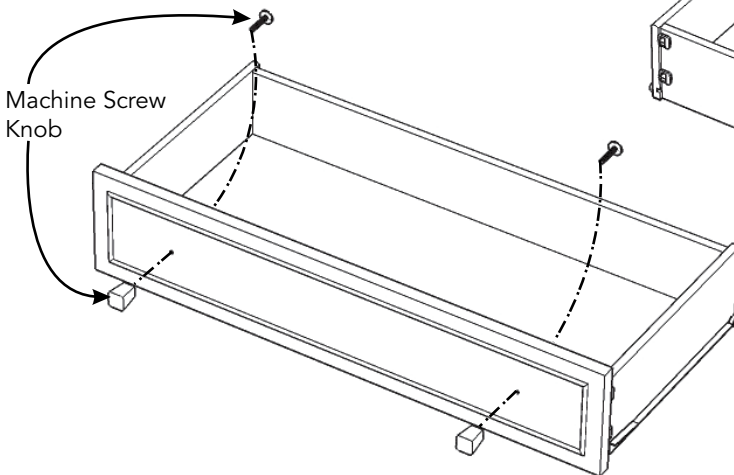


Figure 6

STEP 7

Slide Drawer Bottom (I5) into grooves in unit.

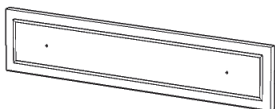
Attach Drawer Front (I1) to unit, then flip Locks.



STEP 8

Attach Knobs with Machine Screws.

Part List



1.
Drawer Front
1 pc.



2.
Drawer Back
1 pc.



3.
Drawer Side
1 pc.



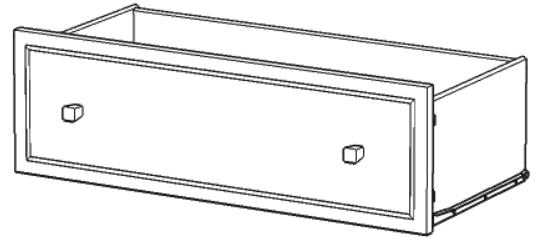
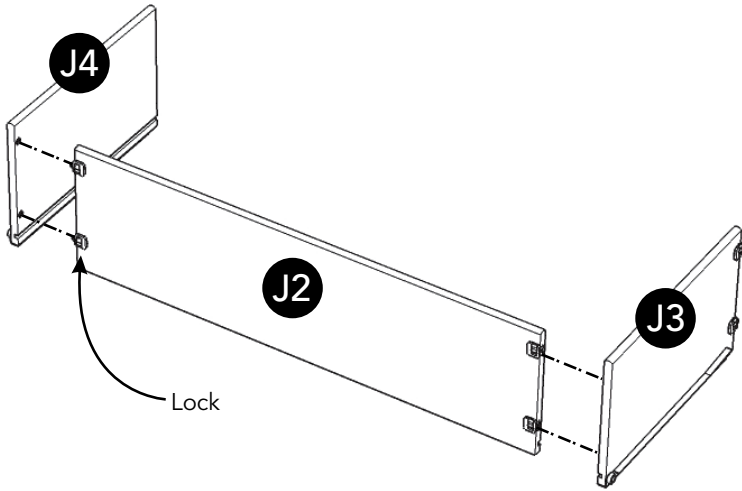
4.
Drawer Side
1 pc.



5.
Drawer Bottom
1 pc.

Assembly Instructions 6/8

Drawer (J)



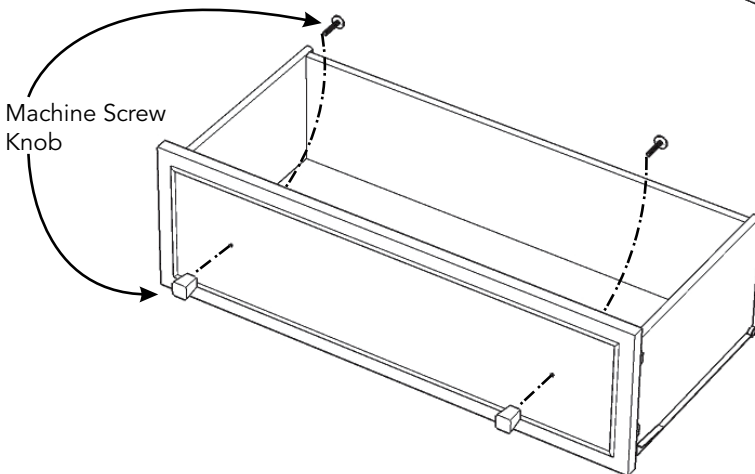
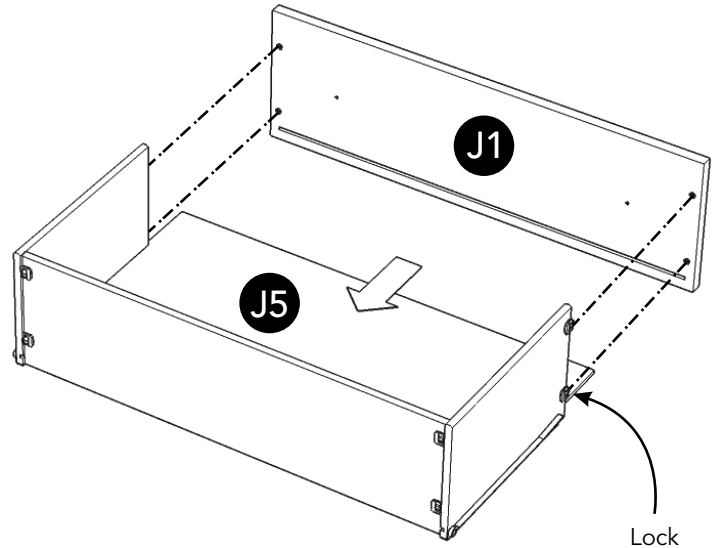
STEP 9

Attach Drawer Sides (J3) and (J4) to Drawer Back (J2), then flip Locks.

STEP 10

Slide Drawer Bottom (J5) into grooves in unit.

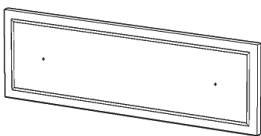
Attach Drawer Front (J1) to unit, then flip Locks.



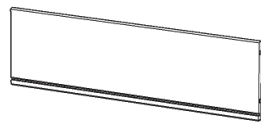
STEP 11

Attach Knobs with Machine Screws.

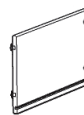
Part List



J1.
Drawer Front
2 pcs.



J2.
Drawer Back
2 pcs.



J3.
Drawer Side
2 pcs.



J4.
Drawer Side
2 pcs.



J5.
Drawer Bottom
2 pcs.

Assembly Instructions 7/8

STEP 12

Level unit by adjusting the adjustable levelers on bottom of unit from Step 5 (See Figure 7)

Insert Adjustable Pins into side panels at desired level. (See Figure 8)

Place Shelves (E) into position.

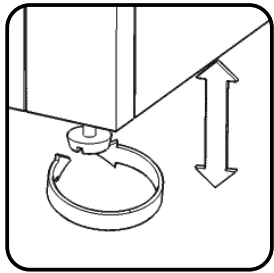


Figure 7

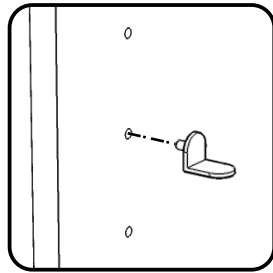
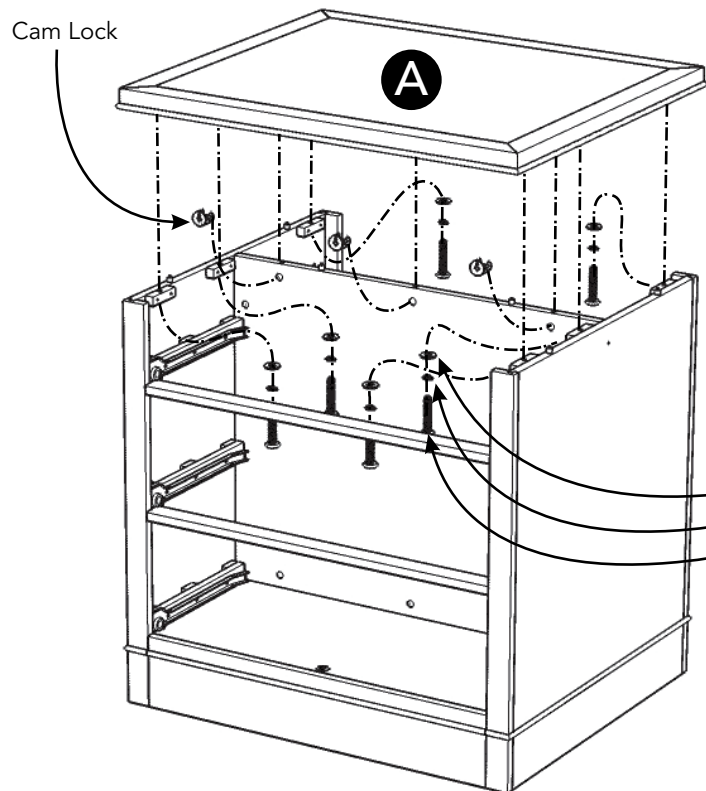
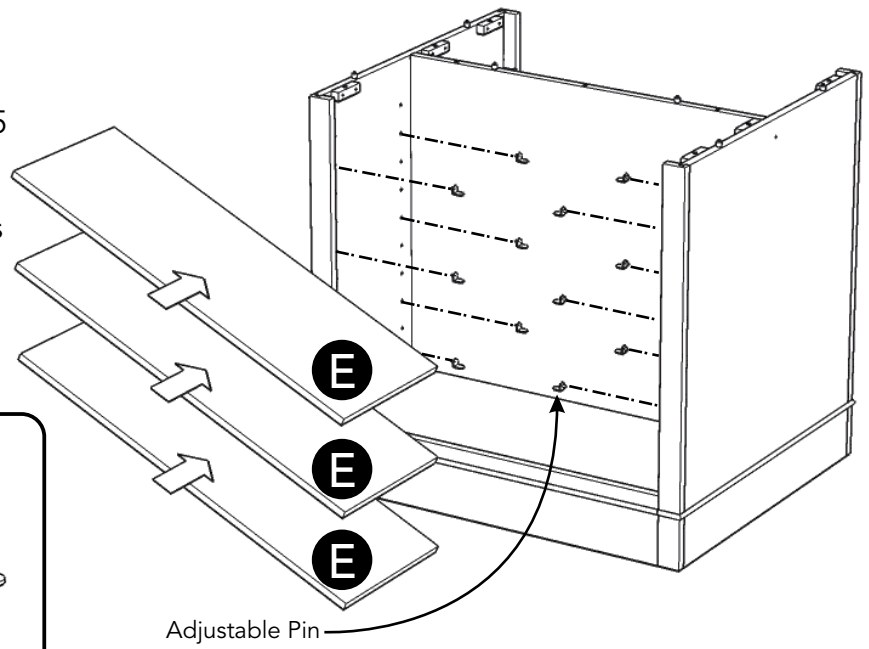


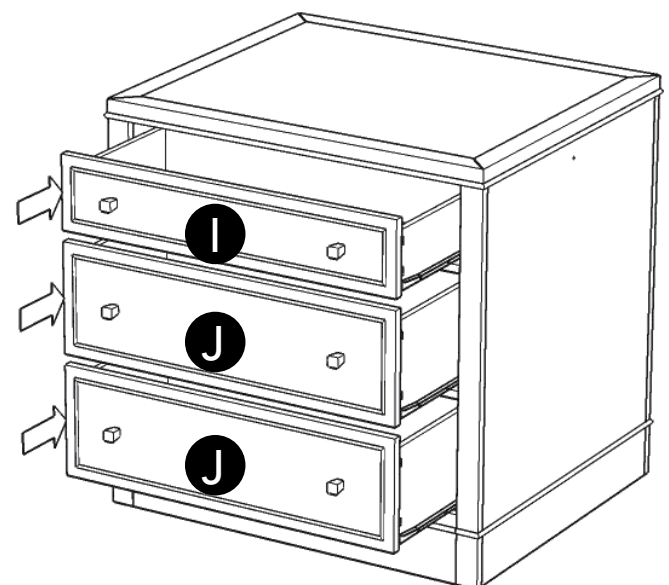
Figure 8



STEP 13

Attach Top (A) to unit with Cam Locks, Flat Washers, Spring Washers and Head Cap Bolts, tightening bolts only halfway.

Tighten all bolts use in this step.



STEP 14

Slide Drawers (I) and (J) into position.

Assembly Instructions 8/8

Per regulatory requirements, a Tip-over Restraint is included. Follow Step 15 to install it.

STEP 15

Drill a 3/16" hole 1/2" deep 1" below top of unit in middle of side panel that is against a wall.

Place unit at desired location.

Drill a 3/8" hole in wall in-line with pre-drilled hole at top of unit.

Move unit.

Insert Anchor into the wall hole and attach Bracket with Wall Screw.

Attach Bracket at pre-drilled hole at top of unit with Wood Screw.

Move unit back into place.

Slide Tip-over Restraint through Bracket on wall and Bracket on unit.
(See Figure 9)

Put tie end of Tip-over Restraint into lock end of Tip-over Restraint and pull until tight.

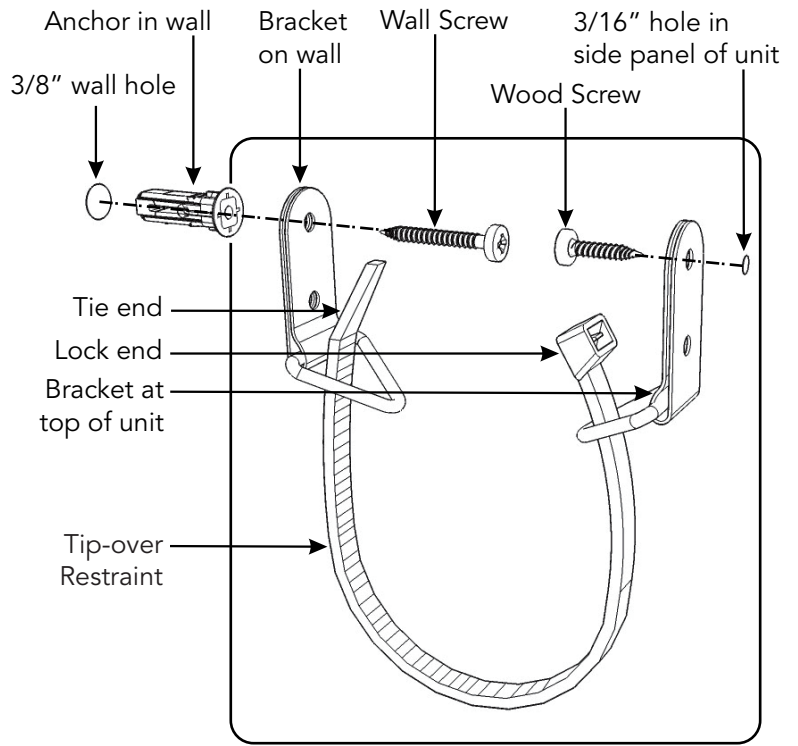
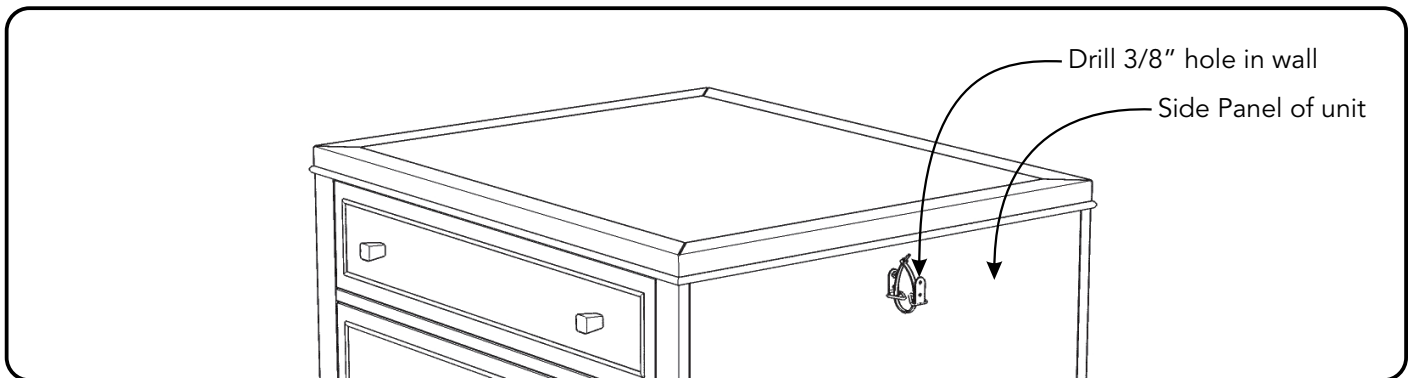
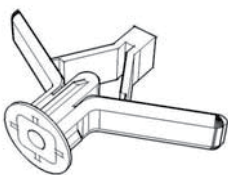


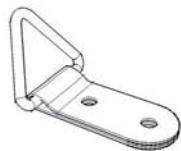
Figure 9



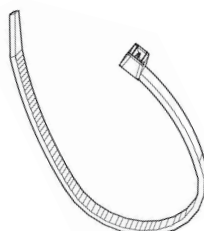
Hardware List



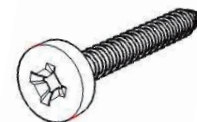
Anchor
1 pc. (+1 extra)



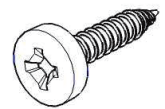
Bracket
2 pcs. (+1 extra)



Tip-over Restraint
1 pc. (+1 extra)



M3.5x40
Wall Screw
1 pc. (+1 extra)



M3.5x16
Wood Screw
1 pc. (+1 extra)

CARE INSTRUCTIONS

NEVER

allow liquids to remain on furniture.
Absorption causes parts to warp
and split and finishes to delaminate.

NEVER

use glass cleaners on
finished furniture. Ammonia
chemically attacks the finish.



Do not use power tools
above 8 volts to assemble.
**PREVENT
CRACKING**



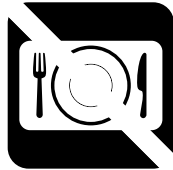
Do not place
in direct sunlight.
**PREVENT
FADING**



Do not write
directly on surface.
**PREVENT
MARKING**



Do not place hot
objects on surface.
**PREVENT
FINISH DAMAGE**



Do not use rubber
based placemats.
**PREVENT
DISCOLORING**



Do not use commercial
waxes and polishes.
**PREVENT
YELLOWING**

CLEAN

with a soft cloth moistened
in lukewarm soap and water.
Buff with a dry clean cloth.



Home Styles will provide replacements free of charge for missing or damaged hardware or parts within 30 days of purchase. Digital images of the defective parts may be required. If the product was not purchased from an authorized retail affiliate, Home Styles is under no obligation to provide replacement parts. Parts are not available for fully assembled items nor are parts available for sale. Replacements for missing or damaged hardware or parts may be requested at:

www.homestyles-furniture.com/customer-service/replacement-parts

Home Styles Customer Service: www.homestyles-furniture.com,
servicedesk@homestyles-furniture.com, 888-680-7460, 877-831-0319