

KALLISTA®

For Town by KALLISTA Thermostatic Trim, Lever Handle P22762-LV

Features

- High-quality solid-brass construction for durability and reliability
- Required rough-in sold separately
- Precise temperature setting capability
- Patented K-joint installation ensures consistent trim appearance

Required Products/Accessories

P29511-WS 1/2" Thermostatic Mixing Valve

or

P29512-WS 3/4" Thermostatic Mixing Valve

or

P22713-LV Volume Control Trim, Lever Handle

Recommended Products/Accessories

P22716-LX Pressure Balance Trim with Diverter, Lever Handle

P22784-LV Transfer Trim, Lever Handle

P21542-00 Multifunction Showerhead with Arm

P31000-00 Towel Bar, 24"



ADA

Codes/Standards

ASME A112.18.1/CSA B125.1

ADA

KALLISTA® Five-Year Limited Warranty

See website for detailed warranty information.

Available Colors/Finishes

Color tiles intended for reference only.

Color	Code	Description
	AD	Nickel Silver
	CP	Polished Chrome

1-888-4-KALLISTA (1-888-452-5547)

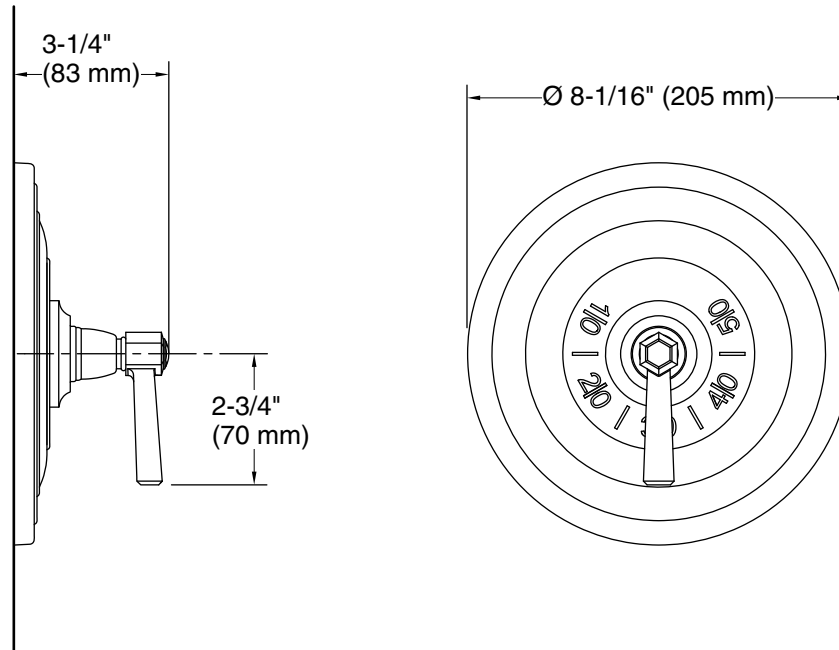
Kallista reserves the right to make revisions without notice to product specifications.

For the most current Specification Sheet, go to www.kallista.com.

7-4-2025 22:01 - US

KALLISTA

For Town by KALLISTA
Thermostatic Trim, Lever Handle
P22762-LV



Technical Information

All product dimensions are nominal.

Notes

ADA compliant when installed to the specific requirements of these regulations.