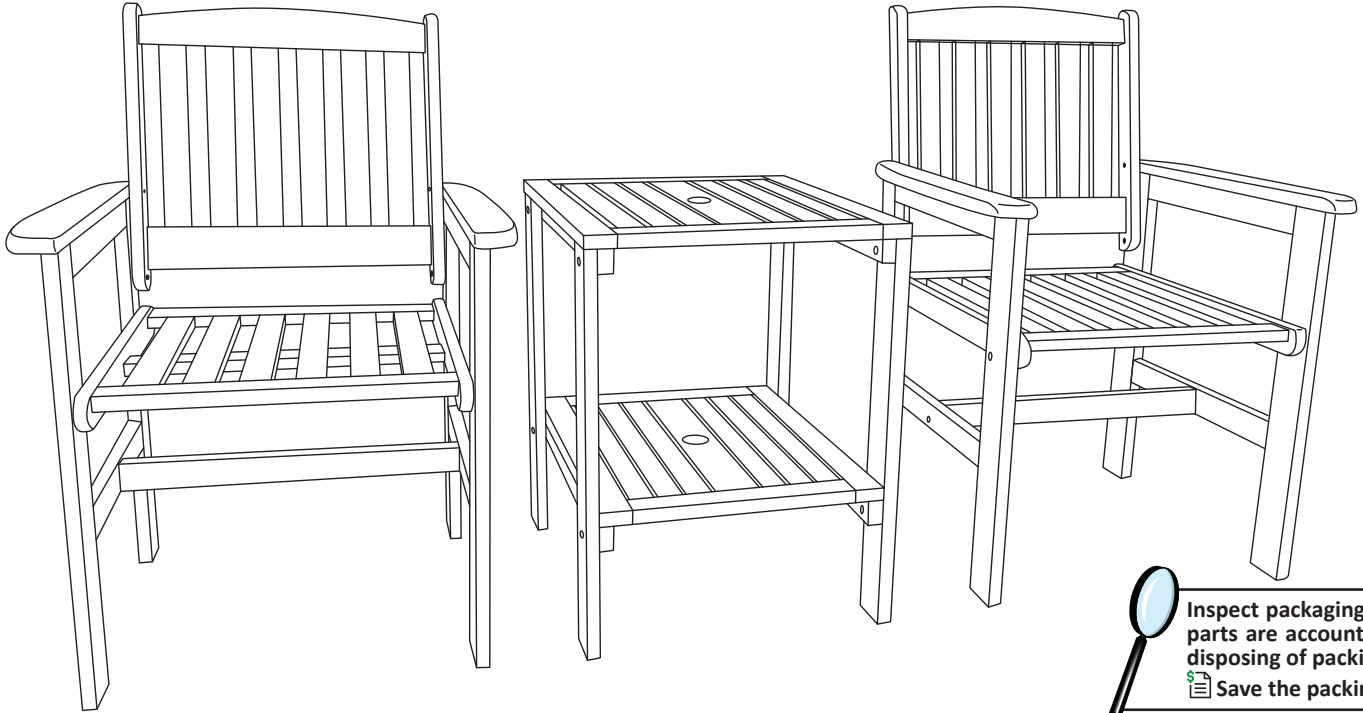


Thank you for choosing Sunnydaze Decor. We stand behind our brand and the quality of the items we sell. Replacement parts or products will be sent at our discretion within the 1-year warranty period. Proof of purchase, with the date of purchase as well as photos of the merchandise defect, must be provided. Photos are used to determine the cause of defects and for future quality control. Register your warranty at <https://tiny.cc/SunnydazeWarranty>
 If you have any questions, comments or concerns, feel free to contact us by phone at 833-982-1977, by email: customerservice@sunnydazedecor.com, or via our contact us page at <https://tiny.cc/SunnydazeContact>

MERANTI WOOD 3-PIECE CONVERSATION SET FRN-909

Review all assembly and care information before using this product. Save this manual for future reference.
Assemble components on a soft, clean surface to avoid damaging the finish.







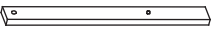


330 pounds
150 kg


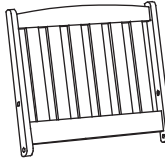


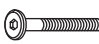

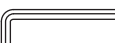
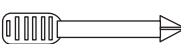
Chair
Weight Capacity

150 pounds
68 kg

Table
Weight Capacity

 Inspect packaging to ensure all parts are accounted for before disposing of packing materials.
 Save the packing slip.

No.	PARTS	QTY.
A	 Tabletop	1
B	 Table Shelf	1
C	 Table Leg	4
D	 Right Arm	2
E	 Left Arm	2

No.	PARTS	QTY.
F	 Seat	2
G	 Backrest	2
H	 Support Beam	2
1	 JCBC M6x60 Bolt	4
2	 JCBC M6x40 Bolt	24
3	 Barrel Nut	4
4	 Hex Key	1
5	 Barrel Nut Driver	1



**SCAN THIS CODE
WITH YOUR
SMARTPHONE
TO VIEW OUR
ASSEMBLY VIDEO**

**⚠ WARNING
CHOKING HAZARD —**
 This item contains small parts that can be swallowed. Keep children and pets away during assembly.

ASSEMBLY

Review all steps and understand assembly before beginning.

Do not fully tighten hardware until all components have been loosely assembled.

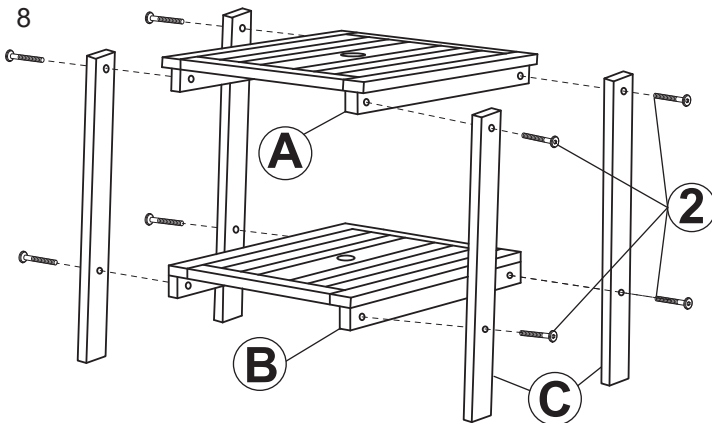
STEP 1

A: 1

B: 1

C: 4

2: 8



- Fasten Leg (C) to Tabletop (A) and Table Shelf (B) by hand-tightening two M6x40 Bolts (2).
- Repeat until all legs have been installed.
- Finish tightening all hardware.

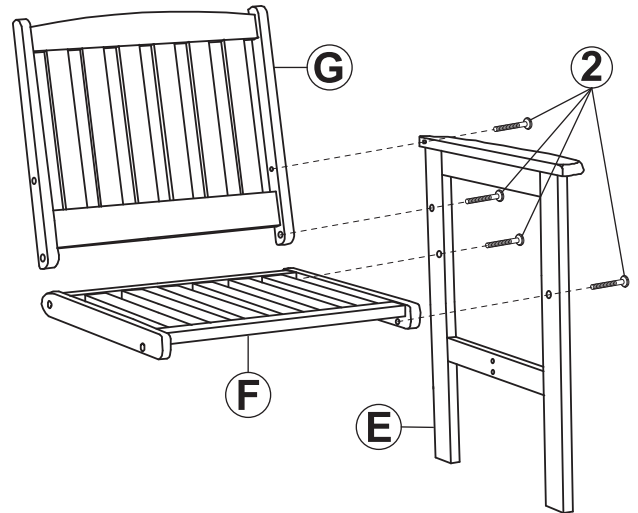
STEP 2

E: 1

F: 1

G: 1

2: 4



- Fasten Left Arm (E) to Seat (F) by hand-tightening two M6x40 Bolts (2).
- Fasten Backrest (G) to Left Arm (E) by hand-tightening two M6x40 Bolts (2).

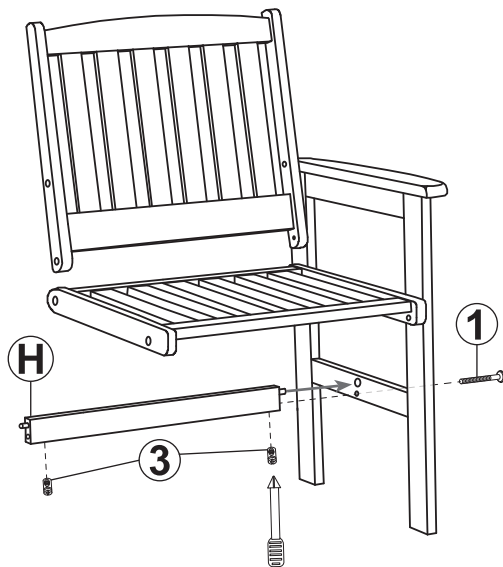
Do not fully tighten bolts until after Step 4 is complete.

STEP 3

H: 1

1: 1

3: 2



- Insert two Barrel Nut (3) into Support Beam (H). Use the Barrel Nut Driver to align the barrel nut with the hole on the side of the support beam.
- Insert the peg on Support Beam (H) into the left arm.
- Fasten the components by hand-tightening one M6x60 Bolt (1) through the arm and into the barrel nut inside the support beam.

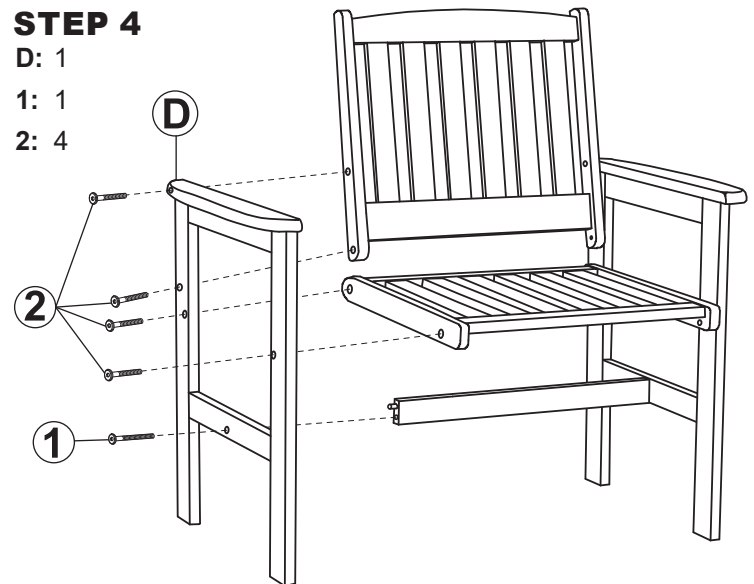
Do not fully tighten bolts until after Step 4 is complete.

STEP 4

D: 1

1: 1

2: 4



- Align Right Arm (D) with assembled components, ensuring the peg in the support beam is correctly positioned within the arm.
- Secure the arm by hand-tightening one M6x60 Bolt (1) and four M6x40 Bolts (2), as shown.
- Finish tightening all hardware.
- Repeat steps 2 through 4 to assemble the second chair.

Care & Maintenance

SAFE USE: For residential use only. Only use on a flat, level surface. Do not stand on the chairs. Do not sit or stand on the table. Do not exceed the weight capacities.

INSPECT: Periodically check assembly points and tighten fittings as necessary.

CLEANING: Identify the direction of the woodgrain. Following the direction of the woodgrain, wipe surfaces with a soft, dry cloth. Do not use harsh chemicals or abrasive materials or a pressure washer to clean.

EXPOSURE: Over time, sunlight and weather elements fade and degrade wood furniture. Maintain the color and integrity of the furniture by covering it with a breathable cover or storing indoors when not in use.

WINTER CARE & STORAGE: Protect this item from inclement weather, especially ice and snow. Move to a cool, dry indoor location. Covering while in storage is recommended to help prevent dust build-up.

MAINTENANCE: This item was treated with teak oil at the factory. To maintain the appearance, apply a suitable penetrating Wood, Teak or Linseed Oil (not included) yearly, or when the wood looks particularly dry. Clean the unit and bring into a dry, warm, indoor location. Allow the unit to thoroughly dry before applying oil; drying may take several days. Only apply oil to wooden surfaces. Use a soft cloth or soft brush and carefully apply oil as directed by the wood oil manufacturer.

WARNING: THE ONE-YEAR WARRANTY DOES NOT COVER DAMAGES OR DEFECTS CAUSED BY THE APPLICATION OF CHEMICAL TREATMENTS, PROTECTIVE COATINGS, OR CLEANING PRODUCTS.

SAFETY STATEMENTS & WARNINGS

- Do not exceed the weight capacity of the furniture.
- Do not sit, stand, or climb on the table.
- Do not stand on the chairs.
- Inspect hardware often and tighten loose hardware before use.
- Do not put hot items on or near furniture.
- Keep furniture a safe distance from heat sources such as fire pits, patio heaters, and grills.
- Do not allow children to use this product without adult supervision.
- Do not use harsh chemicals or abrasive materials to clean the furniture.
- Do not use a pressure washer to clean the furniture.

Any modification to the product or failure to follow recommended care will void the product warranty.

If you experience issues with assembly or the product was damaged during shipping, please contact our customer service team through one of the methods mentioned at the top of page 1.

Please have the item number and order information ready to expedite response time.

WARNING!

Manufacturer and seller expressly disclaim any and all liability from personal injury, property damage or loss, whether direct or indirect, or incidental, resulting from the incorrect attachment, improper use, inadequate maintenance, or neglect of this product.