

F1960 Brass PEX Adapter

Job Name	_____
Location	_____
Engineer	_____
Contractor	_____
Tag	_____ PO# _____

Specifications

- Simple and dependable plumbing connection
- Easy installation
- Leak-proof connections
- Lead-free DZR brass
- Can be used with F1960 PEX rings
- Sold in carton quantities only

Applications

Jones Stephens' F1960 Brass Male Sweat Adapters are approved for use with commercial and residential potable and non-potable water applications.

Materials

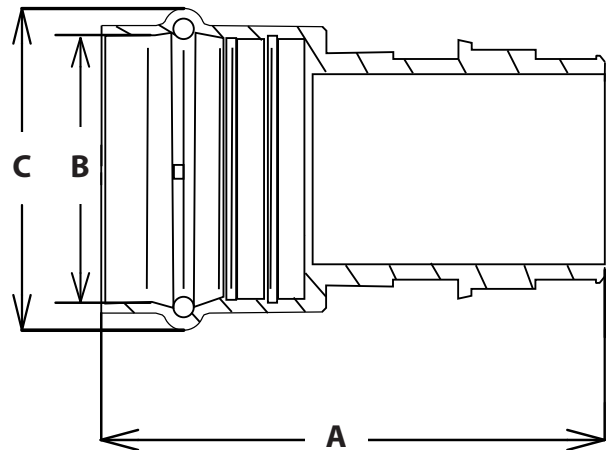
- Brass

Dimensions and Product Offering

See following page

Certifications/Listings/Approvals

- ASTM F1960-2023b
- IAPMO/ANSI/CAN Z1117-2022
- CSA B137.5-2020
- Lead Law Compliant



	ID	OD
F1960 Specified Dimensions	in (mm)	in (mm)
1/2" End Connection	.41(10.33)	.61(15.59)
5/8" End Connection	.53(13.40)	.74(18.90)
3/4" End Connection	.62(15.80)	.87(22.10)
1" End Connection	.83(21.00)	1.11(28.10)
1-1/4" End Connection	.80(20.32)	1.36(35.54)
1-1/2" End Connection	1.08(27.43)	1.49(37.85)
2" End Connection	1.56(39.62)	2.08(52.83)

Dimensions and Product Offering

Part Code	Size	A - In (mm)	A Tolerance ±In(mm)	B - In (Mm)	B Tolerance±In(mm)	C - In (mm)	C Tolerance ±In(mm)	Weight - Lbs (g)	Weight Tolerance ±Lbs (g)
F76095	1.25"	2.74 (69.50)	.36 (9.07)	1.38 (35.20)	.04 (0.912)	1.74 (44.20)	.36 (9.07)	.34 (156.04)	.02 (10.89)
F76096	1.50"	3.21 (81.50)	.36 (9.07)	1.63 (41.50)	.04 (0.912)	2.09 (53.00)	.36 (9.07)	.50 (227.25)	.02 (10.89)
F76097	2.00"	3.88 (98.50)	.36 (9.07)	2.13 (54.20)	.04 (0.912)	2.56 (65.00)	.36 (9.07)	.97 (439.99)	.02 (10.89)