



**HOOKER**  
— FURNITURE —




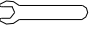
# ASSEMBLY INSTRUCTION

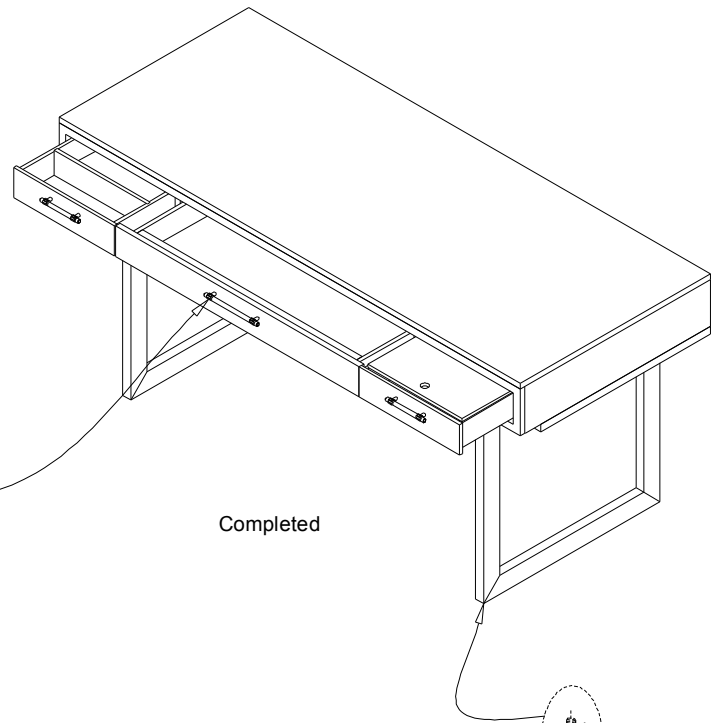
Item: 1600-10459-MWD-Leg Desk

Thank you for purchasing this quality product. Be sure to unpack carefully looking for small parts which may have come loose during shipment.

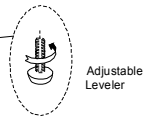
Read all instruction and study the drawing carefully before starting the assembly process

## HARDWARE PACK

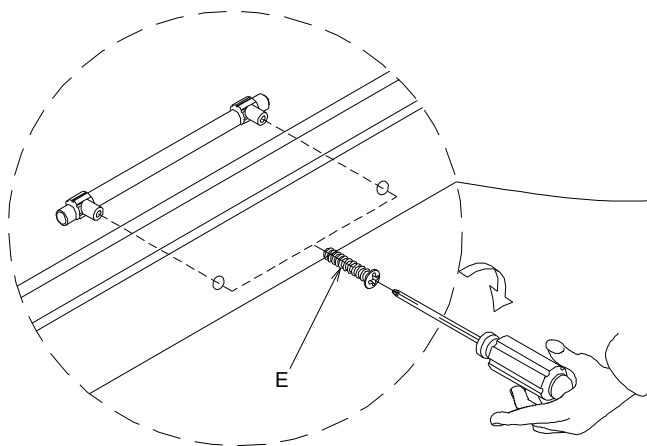
NO	DRAWING	DESCRIPTION	SIZE	Q'TY
A		BOLT	$\Phi 5/16'' * 1-1/4''$	12pcs
B		LOCK WASHER	$\Phi 5/16'' * \Phi 12 * 3$	12pcs
C		FLAT WASHER	$\Phi 5/16'' * \Phi 19 * 2$	12pcs
D		WRENCH	12mm	1pc



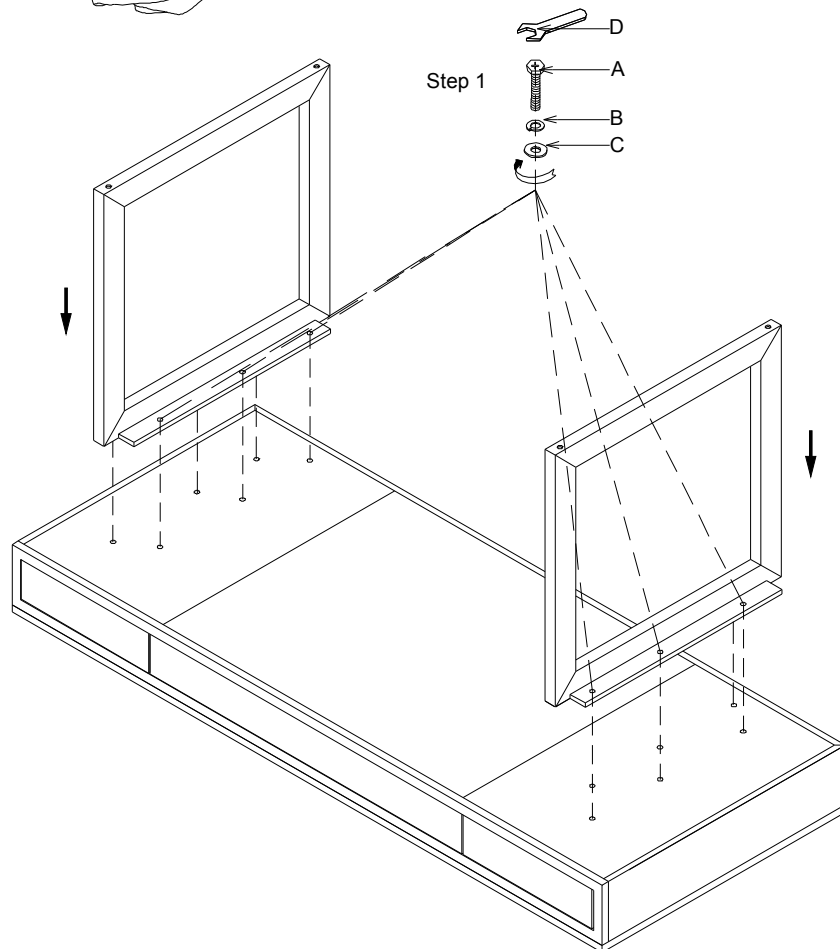
Completed



Adjustable Leveler



Step 2



Step 1