

# Assembly Guide



**Bush**  
FURNITURE

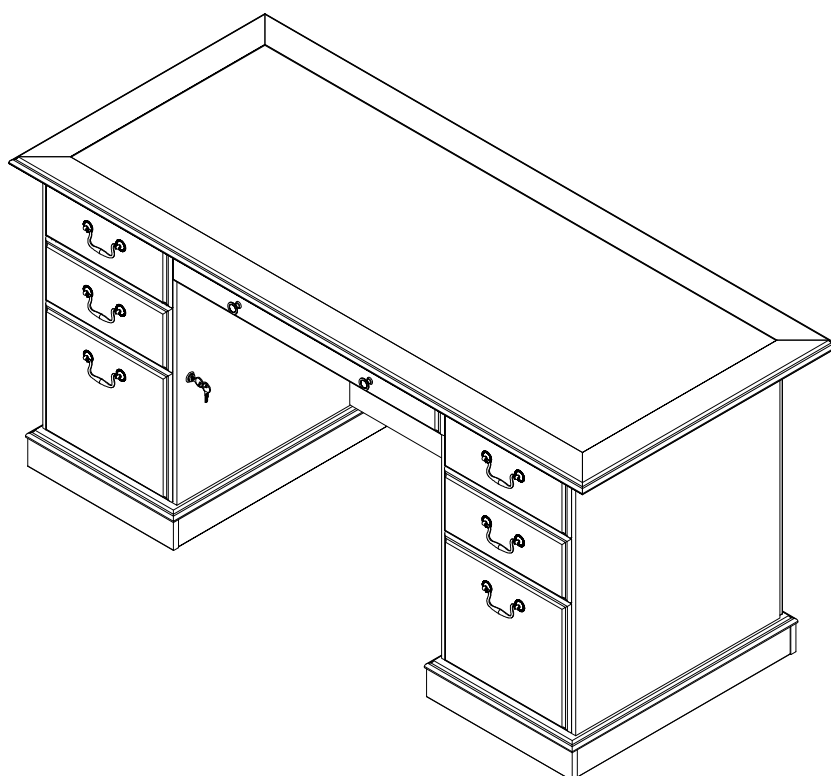


If you're having any difficulty during assembly of this product, don't hesitate to call us at **1-800-950-4782.**

Our customer service experts are trained to provide step-by-step instruction and can easily replace any missing or damaged parts.

**Representatives are available Monday-Friday from 8:30 a.m. to 7:30 p.m. (ET)**

## Manager's Desk



Lot Code #

Part Number A208670A

Keep manual for future reference.

**For best results, keep these tips in mind:**

- ① We know you want to finish this assembly as quickly as possible, but trust us: you'll have a better experience if you take it one step at a time.
- ② Give yourself some room to work near where you want the fully assembled product.
- ③ If your floor isn't carpeted, assemble this product on the empty carton to avoid scratching.
- ④ Do you have a friend who owes you a favor? Some steps may go a little easier with a second set of hands.

**DOs**

- ✔ Use a #2 Phillips head screwdriver (or other handheld tools as indicated)
- ✔ Wear safety glasses at all times during assembly
- ✔ Carefully follow the instructions in this guide and complete all steps in order
- ✔ Give us a call if you're having trouble with a particularly tricky step

**DON'Ts**

- ✘ We know power tools are quick and easy, but you shouldn't use them when assembling this product (unless otherwise specified)
- ✘ Never move your furniture with items inside or resting on the surface
- ✘ Do not attempt to use this product before all steps have been completed

**Watch assembly videos right on your phone or computer!**

Some steps include QR codes that link to helpful videos. Watch out for the icon below! Simply open up your smartphone camera to scan the code.

*(Users of older smartphones may need to install a QR Reader.)*

**SCAN HERE****FOR VIDEOS**

Or visit <https://bushfurniture.com/help-faq/#assembling>

# IMPORTANT SAFETY INFORMATION



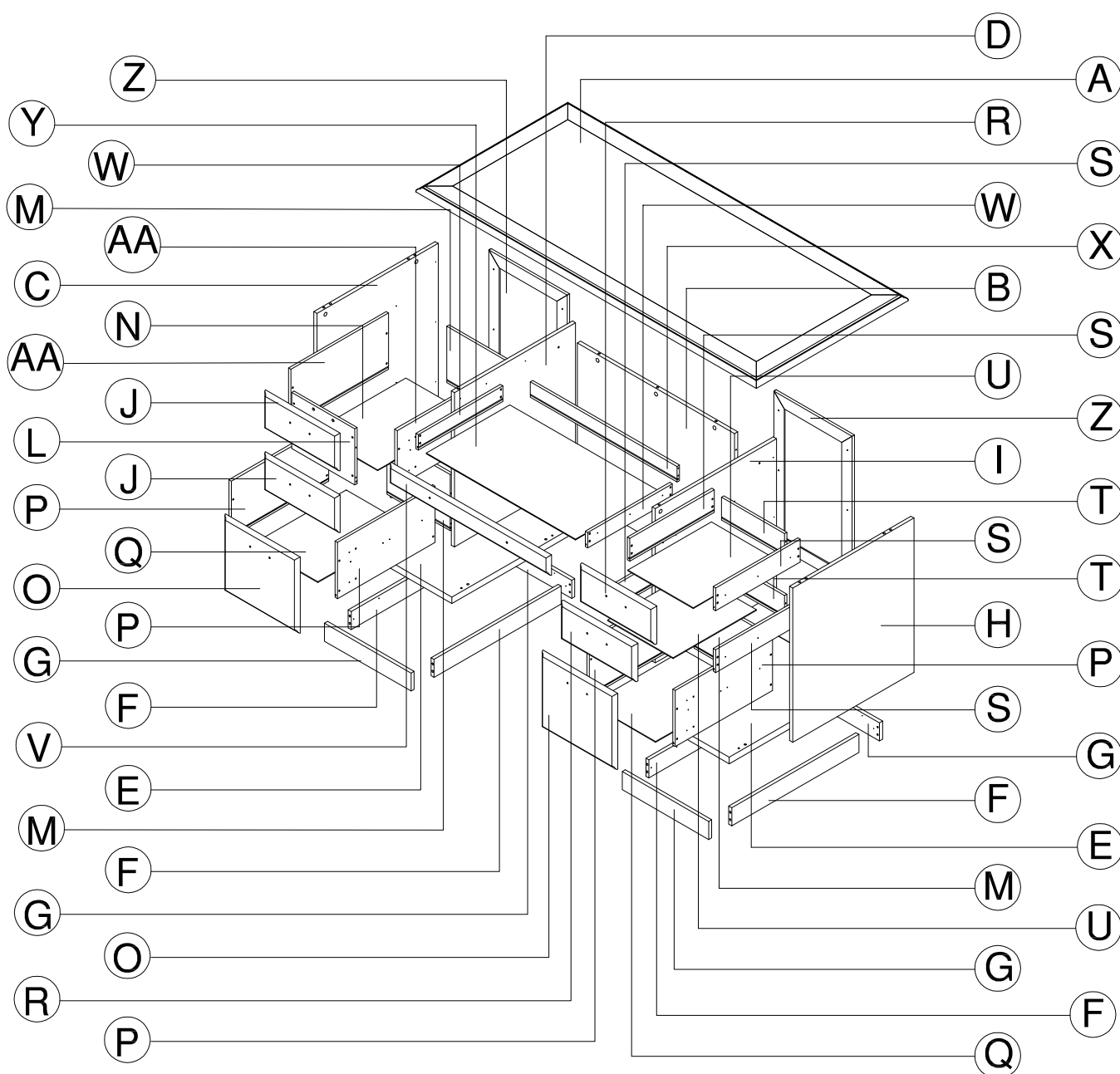
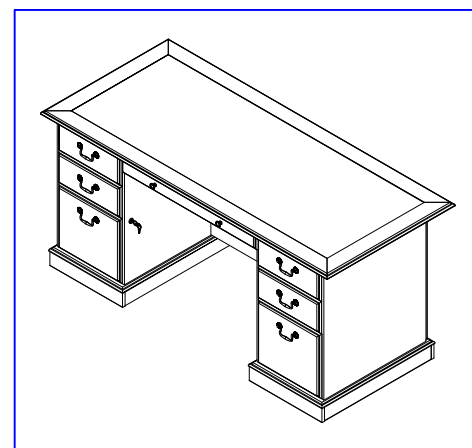
## PLEASE READ WARNINGS

Improper use can cause safety hazards, or damage to your furniture and household items.

Warning	Do	Don't	Why it's important
<b>Serious injury may occur.</b>	<ul style="list-style-type: none"><li>Assemble following all instructions using all indicated parts and hardware provided.</li></ul>	<ul style="list-style-type: none"><li>Do not move unit when loaded.</li><li>Do not load with a television or other heavy equipment.</li><li>Do not exceed the maximum load limits stated in the instructions.</li></ul>	Improper assembly, use or loading can lead to product instability, tip-over or collapse.

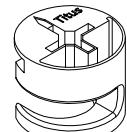
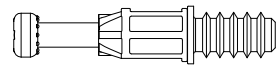
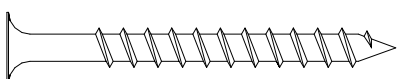
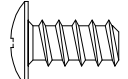
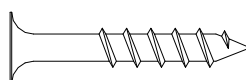
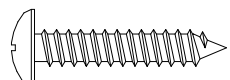
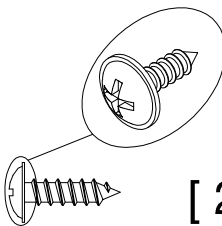
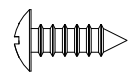
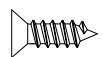
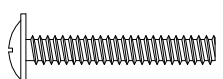

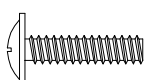

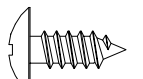
Advertencia	Hacer	No	Por qué es importante
<b>Se pueden producir lesiones graves.</b>	<ul style="list-style-type: none"><li>Ensamble siguiendo todas las instrucciones utilizando todas las piezas y ferretería indicados provistos.</li></ul>	<ul style="list-style-type: none"><li>No mueva la unidad cuando esté cargada.</li><li>No cargue con un televisor u otro equipo pesado.</li><li>No exceda los límites máximos de carga establecidos en las instrucciones.</li></ul>	El ensamblaje, uso o carga inadecuados pueden provocar inestabilidad del producto, vuelco o colapso.

Avertissement	Faire	Ne le fais pas	Pourquoi c'est important
<b>Des blessures graves peuvent survenir.</b>	<ul style="list-style-type: none"><li>Assemblez en suivant toutes les instructions en utilisant toutes les pièces et le matériel indiqués fournis.</li></ul>	<ul style="list-style-type: none"><li>Ne déplacez pas l'unité lorsqu'elle est chargée.</li><li>Ne chargez pas avec un téléviseur ou un autre équipement lourd.</li><li>Ne dépassez pas les limites de charge maximale indiquées dans les instructions.</li></ul>	Un assemblage, une utilisation ou un chargement incorrects peuvent entraîner une instabilité du produit, un renversement ou un effondrement.



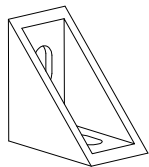
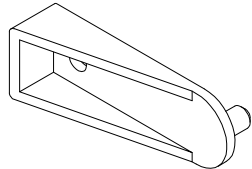
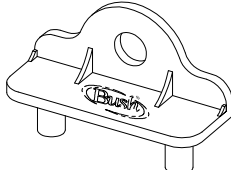
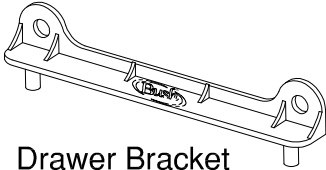

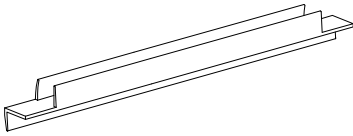
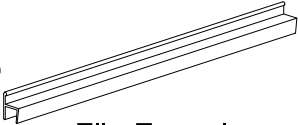
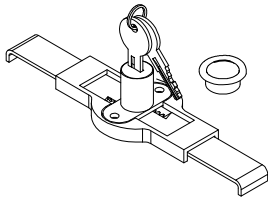
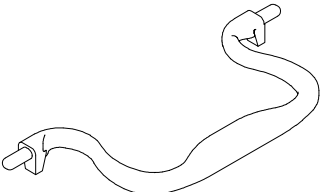
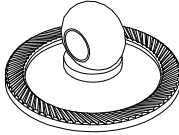
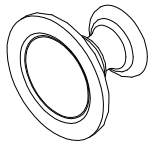
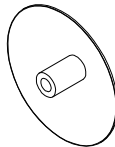
Have an assembly question or need a replacement part? Just call  
**1-800-950-4782**, we are here to help.

Fasteners are shown actual size.

- |         |   |        |         |   |         |
|---------|---|--------|---------|---|---------|
| H181468 | <br>KD Cam                   | [ 9 ]  | H72988  | <br>KD Bolt      | [ 9 ]   |
| H23491  | <br>#10 x 2"                 | [ 14 ] | H146988 | <br>#12 x 1/2"   | [ 14 ]  |
| H26053  | <br>#10 x 1-1/4"             | [ 28 ] | H23682  | <br>#10 x 1"     | [ 4 ]   |
| H204610 | <br>#6 x 1/2"              | [ 20 ] | H192100 | <br>#8 x 1/2"  | [ 110 ] |
| H124395 | <br>#6 x 1/2"              | [ 36 ] | H158943 | <br>M4 x 25mm  | [ 2 ]   |
| H38169  | <br>Wood Dowel<br>8 x 30mm | [ 28 ] | H158559 | <br>M4 x 16mm  | [ 12 ]  |
| H174784 | <br>#5 x 5/8"              | [ 2 ]  | H35251  | <br>#10 x 1/2" | [ 1 ]   |

Have an assembly question or need a replacement part? Just call  
**1-800-950-4782**, we are here to help.

Hardware not to scale.

H156903		[ 36 ]	H158577		[ 2 ]
	Plastic Connector			Lock Catch	
H100444		[ 6 ]	H100446		[ 4 ]
	Drawer Bracket			Drawer Bracket	
H89793		[ 3 ]	H153477		[ 6 ]
	File Bar 12-1/2" (318mm)			File Extrusion 18-7/8" (480mm)	
H153475		[ 3 ]			[ 1 ]
	File Extrusion 12-1/8" (308mm)			Lock+lock ring	
		[ 6 ]			[ 12 ]
	Bail Pull			Rosette	
		[ 2 ]			[ 3 ]
	Knob			Cover Cap	

Have an assembly question or need a replacement part? Just call  
**1-800-950-4782**, we are here to help.

Hardware not to scale.

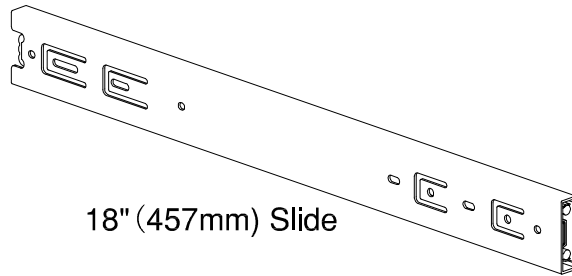
H27145



Glue

[ 2 ]

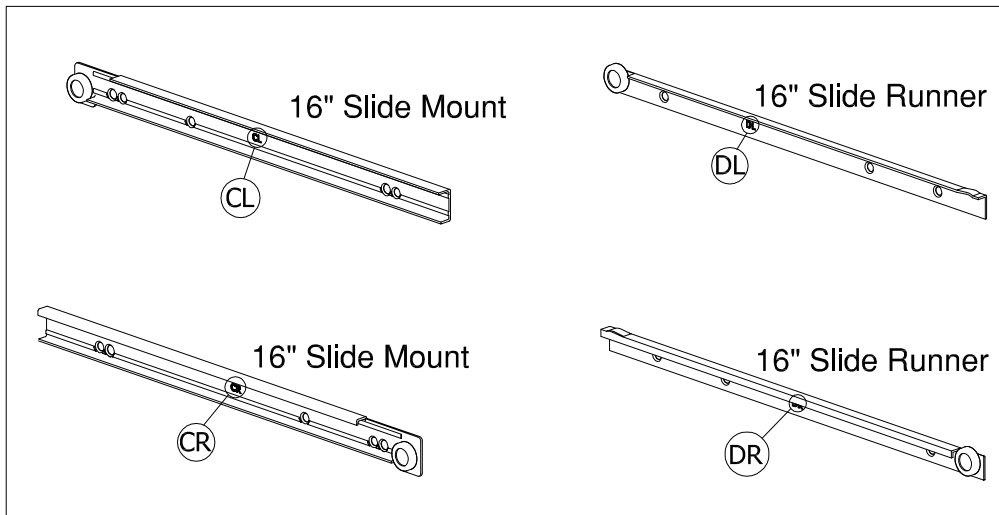
Z38723



18" (457mm) Slide

[ 6 ]

Q89897



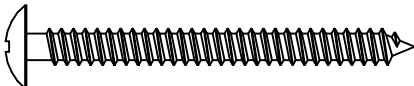
[ 3 ]

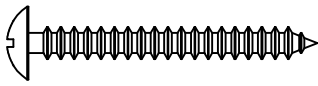
Have an assembly question or need a replacement part? Just call  
**1-800-950-4782**, we are here to help.

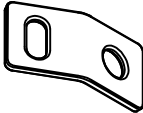
Hardware not to scale.

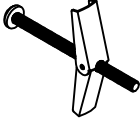
## TIP OVER RESTRAINT HARDWARE

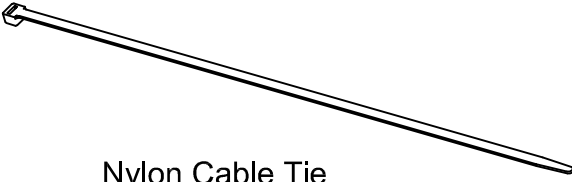
### Q203419

H181434  [ 1 ]  
#10x2"

H107572  [ 1 ]  
#8x1-1/2"

H181412  [ 2 ]  
Connecting Plate

H181419  [ 1 ]  
Toggle Bolt

H181411  [ 1 ]  
Nylon Cable Tie

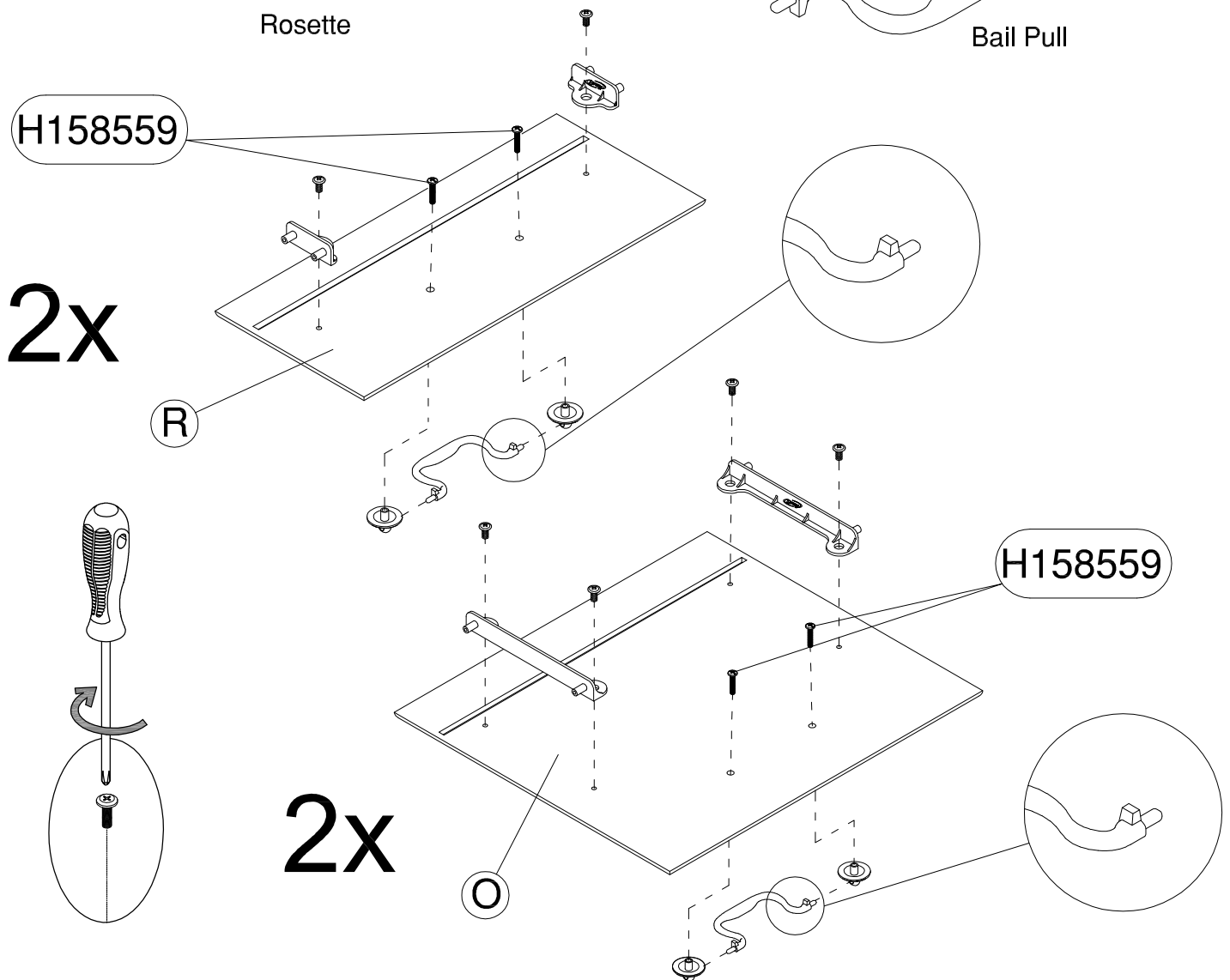
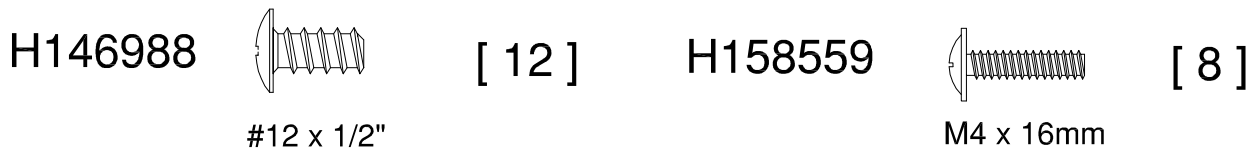
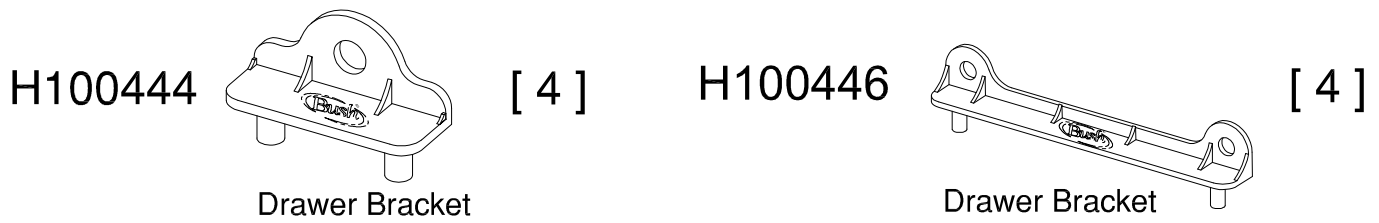
Have an assembly question or need a replacement part? Just call  
**1-800-950-4782**, we are here to help.



# STEP 1

## Prepare Panels

A208670A

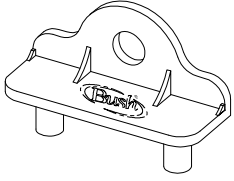


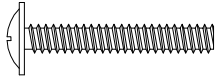
Have an assembly question or need a replacement part? Just call  
**1-800-950-4782**, we are here to help.

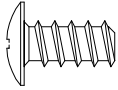
# STEP 2

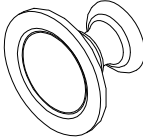
# Prepare Panel

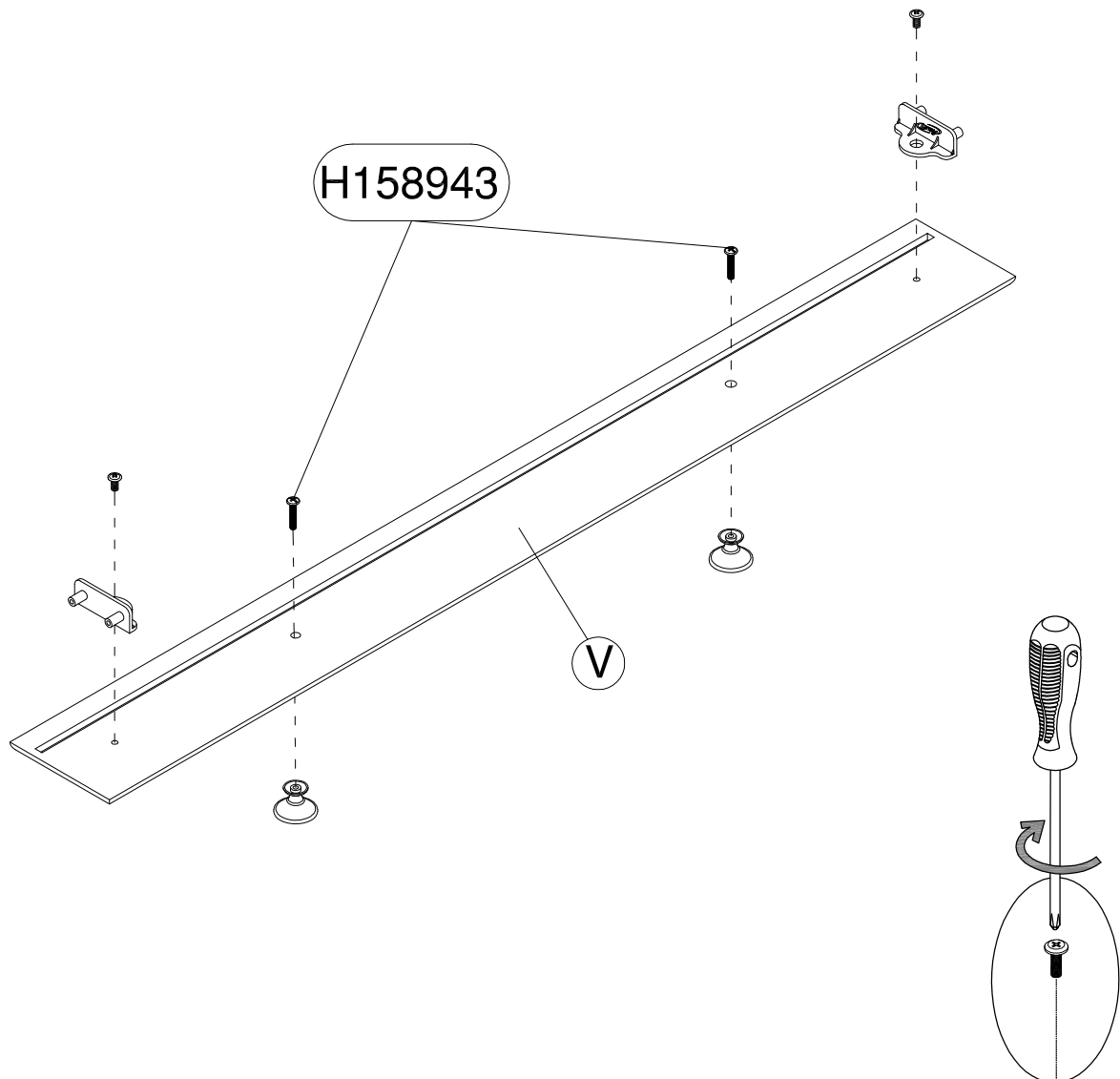
A208670A

H100444  [ 2 ]  
Drawer Bracket

H158943  [ 2 ]  
M4 x 25mm

H146988  [ 2 ]  
#12 x 1/2"

 [ 2 ]  
Knob



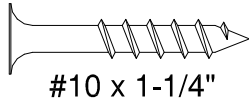
Have an assembly question or need a replacement part? Just call  
**1-800-950-4782**, we are here to help.

# STEP 3

# Assemble Panels

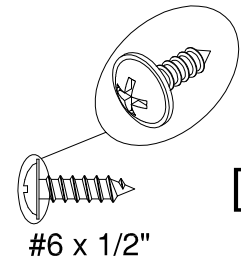
A208670A

H26053

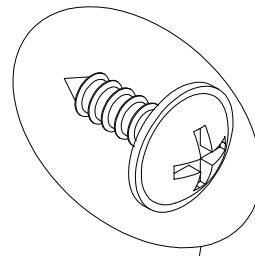
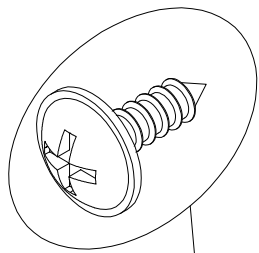
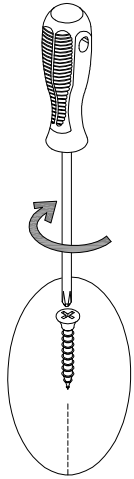


[ 8 ]

H204610



[ 8 ]



H204610

R

S

H204610

S

T

U

Finished Slide  
Lado Terminada  
Cote Fini

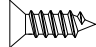
2x

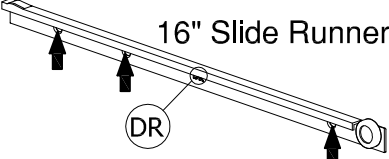
Have an assembly question or need a replacement part? Just call  
**1-800-950-4782**, we are here to help.

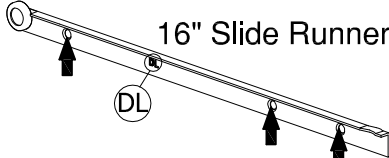
# STEP 4

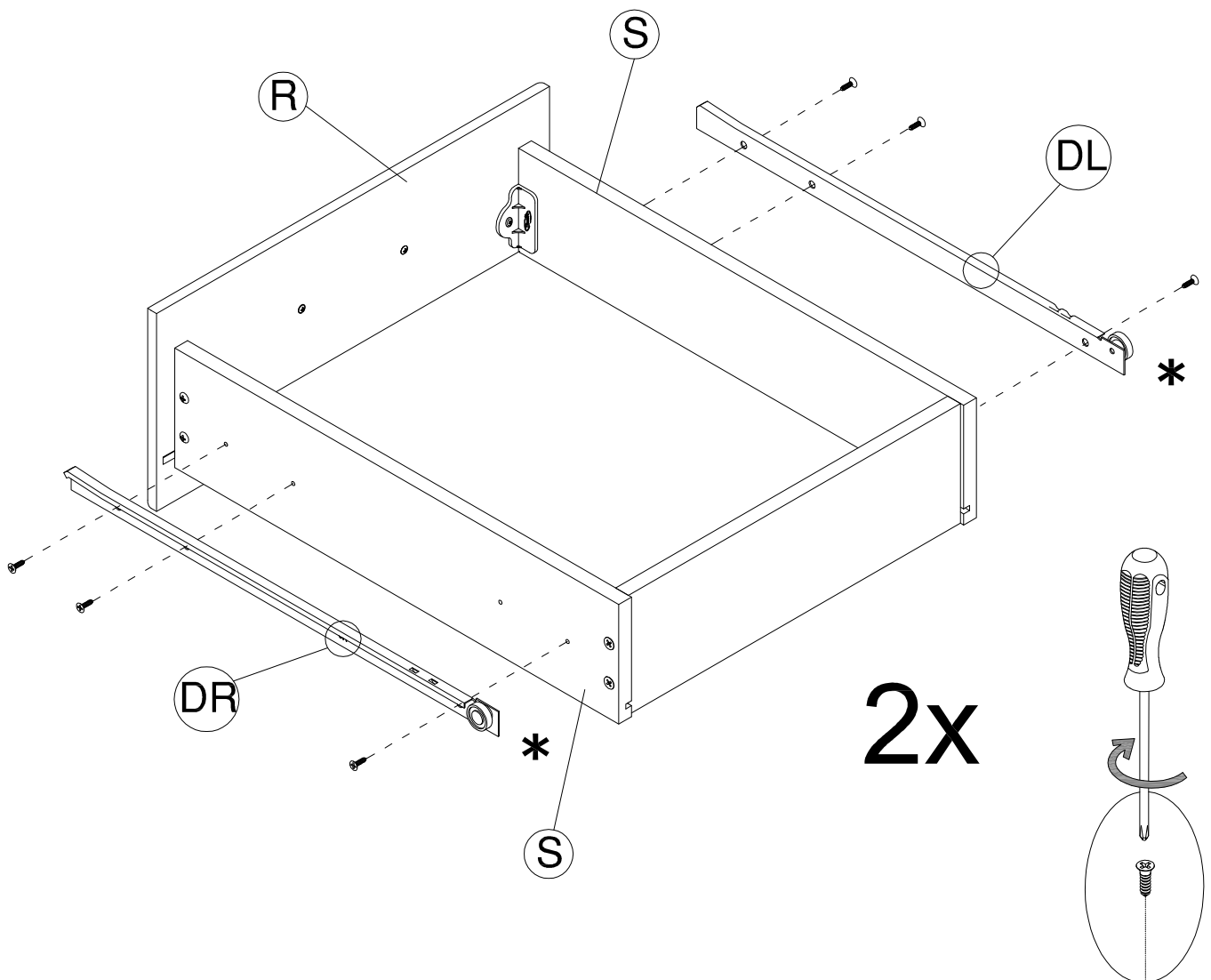
# Install Slide Runners

A208670A

H124395  [ 12 ]  
#6 x 1/2"

Q89897  16" Slide Runner [ 2 ]  
\* DR \*

\*  16" Slide Runner [ 2 ]  
Q89897 DL \*

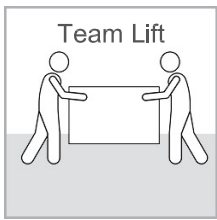


Have an assembly question or need a replacement part? Just call  
**1-800-950-4782**, we are here to help.

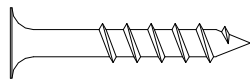
# STEP 5

# Assemble Panels

A208670A



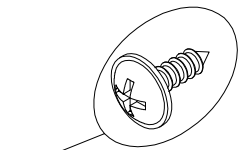
H26053



#10 x 1-1/4"

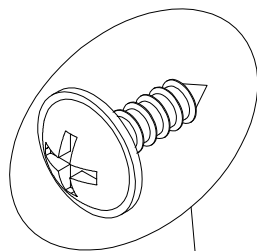
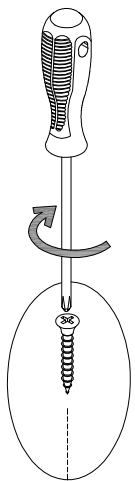
[ 4 ]

H204610



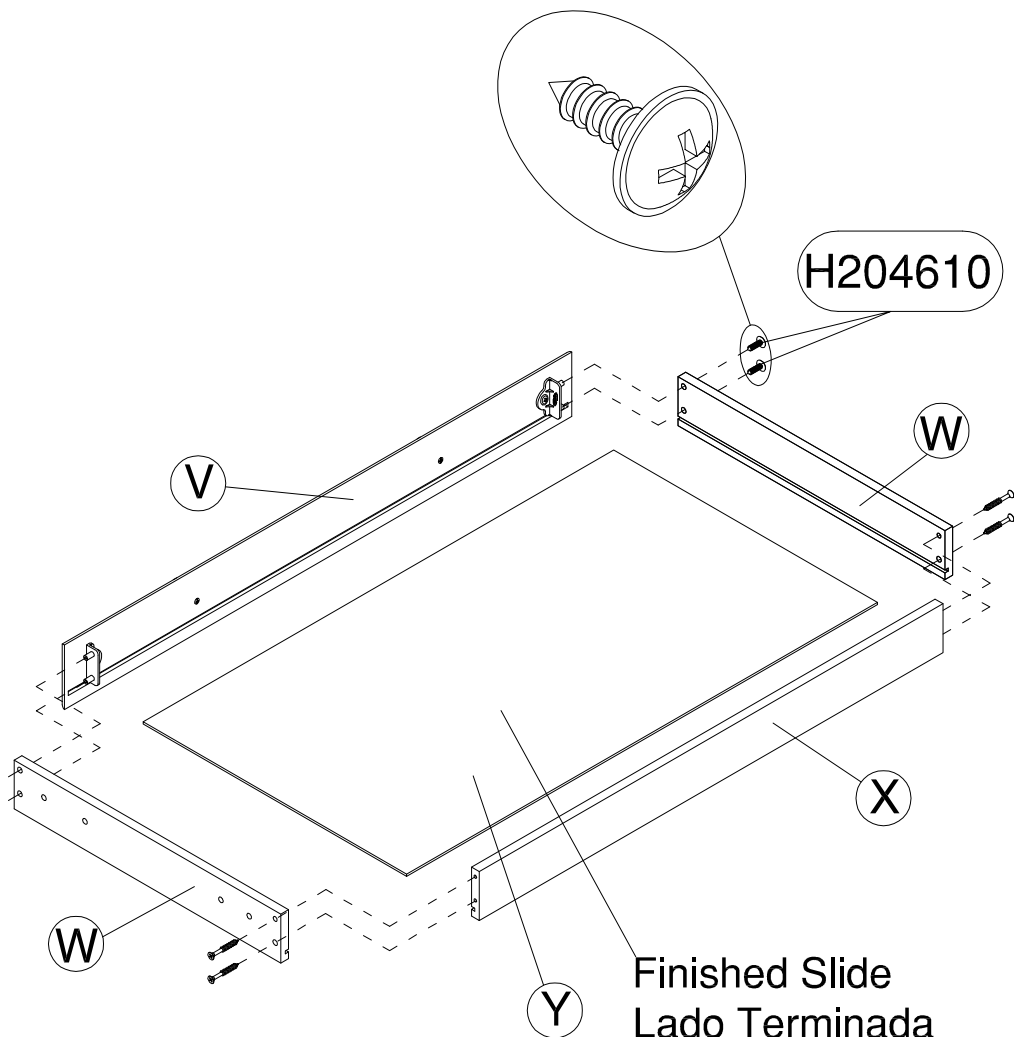
#6 x 1/2"

[ 4 ]



H204610

H204610



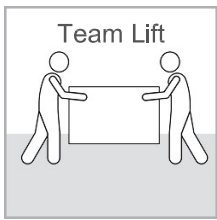
Finished Slide  
Lado Terminada  
Cote Fini

Have an assembly question or need a replacement part? Just call  
**1-800-950-4782**, we are here to help.

# STEP 6

# Install Slide Runners

A208670A



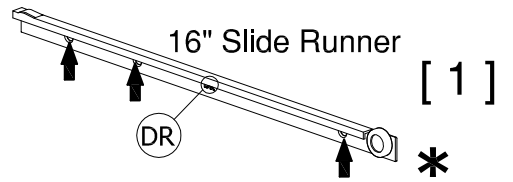
H124395



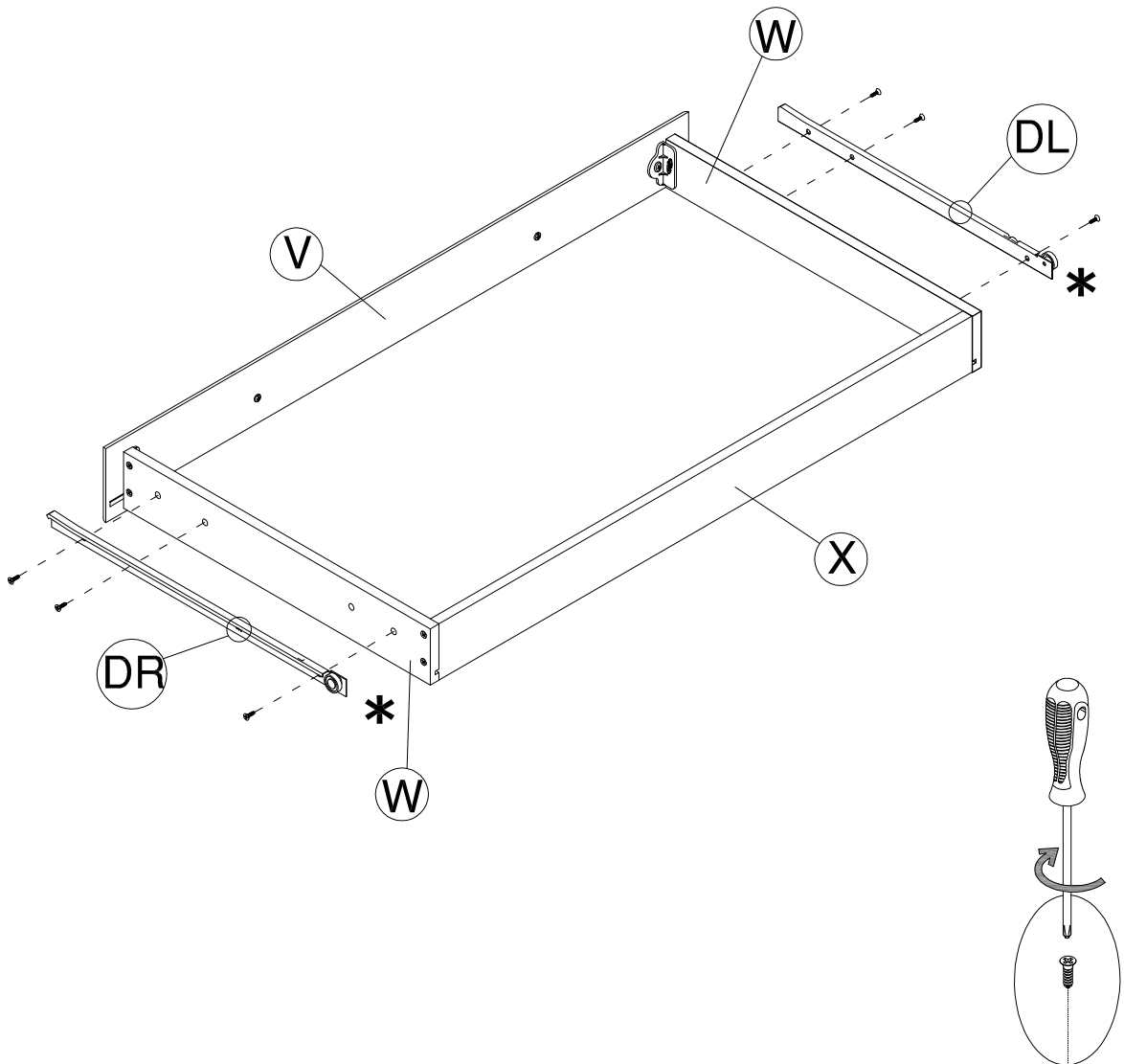
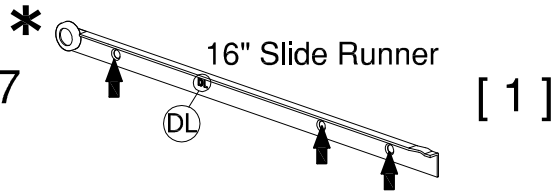
[ 6 ]

Q89897

#6 x 1/2"



Q89897



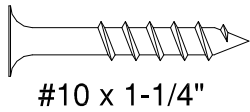
Have an assembly question or need a replacement part? Just call  
**1-800-950-4782**, we are here to help.

# STEP 7

# Assemble Panels

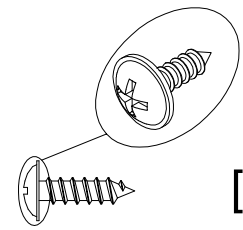
A208670A

H26053



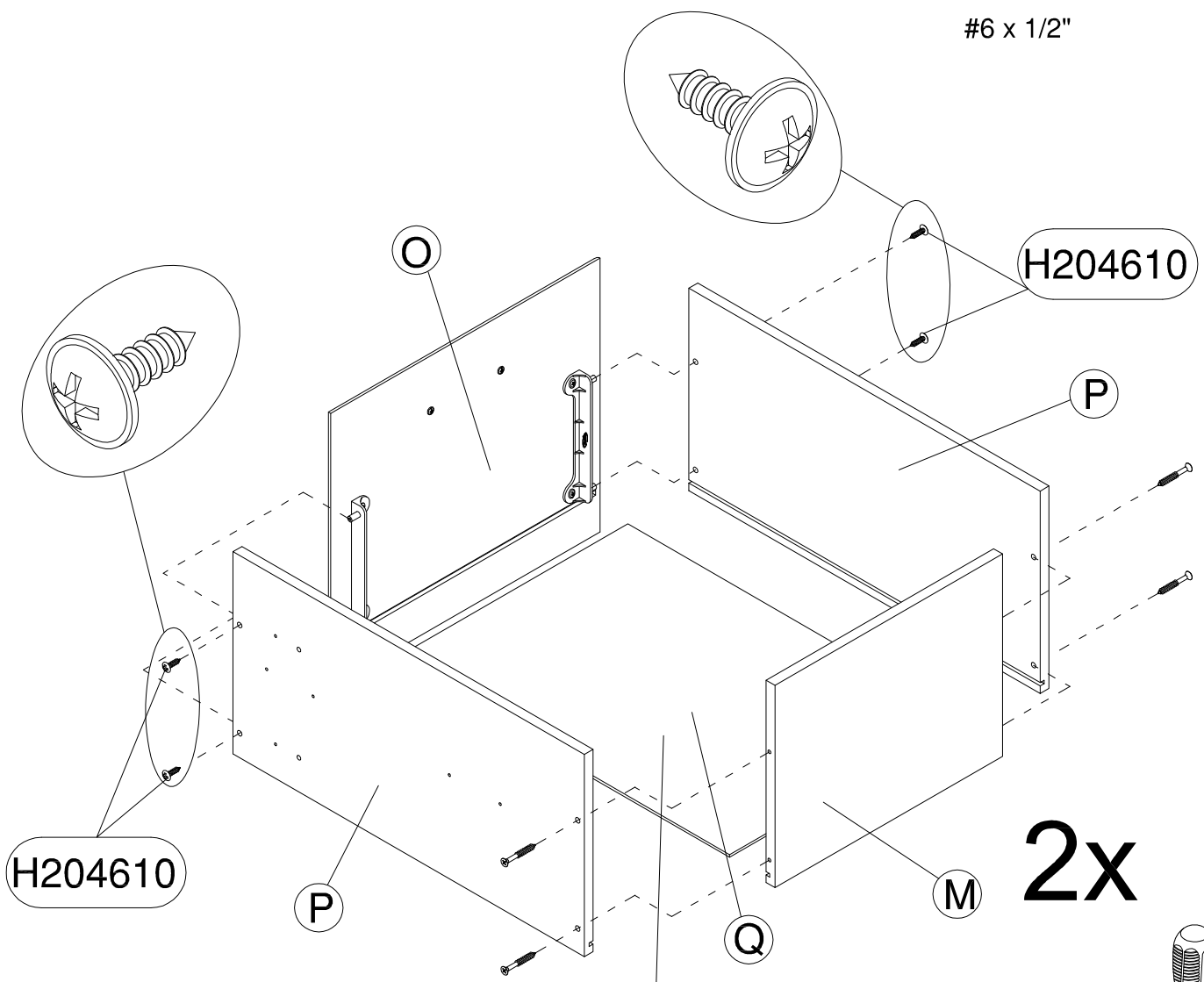
[ 8 ]

H204610

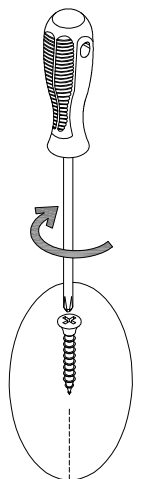


[ 8 ]

#6 x 1/2"



Finished Slide  
Lado Terminada  
Cote Fini



Have an assembly question or need a replacement part? Just call  
**1-800-950-4782**, we are here to help.

Scan QR Code to Watch Video on:

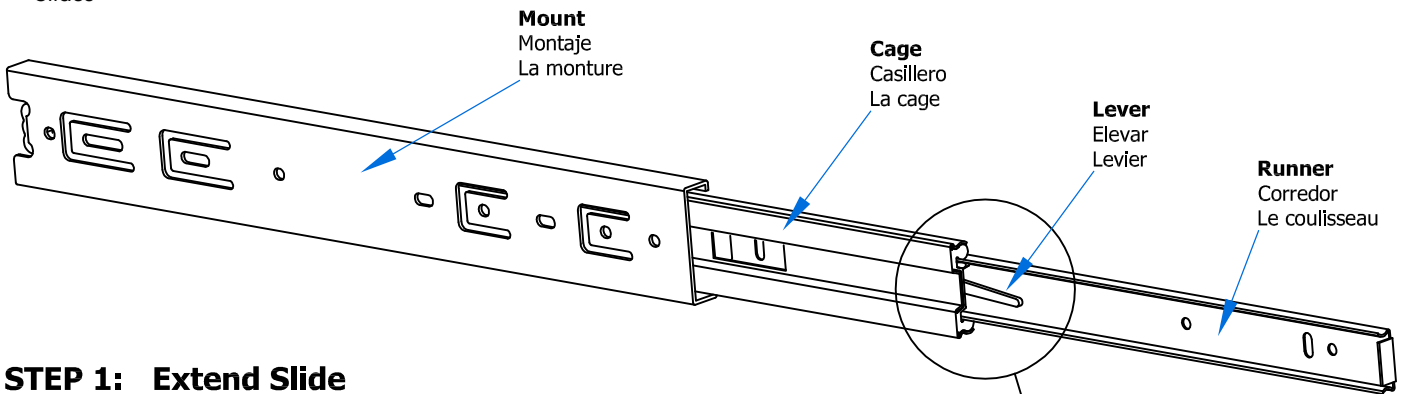


How to Separate and Install Drawer Slides

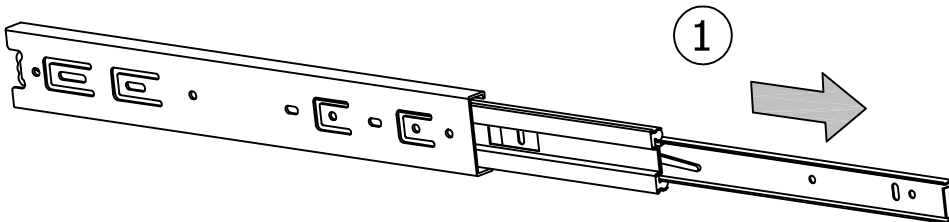
### Slides Must Be Separated Before Assembly. After Separated, Set Aside Until Needed for Assembly.

Las diapositivas deben separarse antes del montaje.  
Después de la separación, déjelo a un lado hasta que sea necesario.

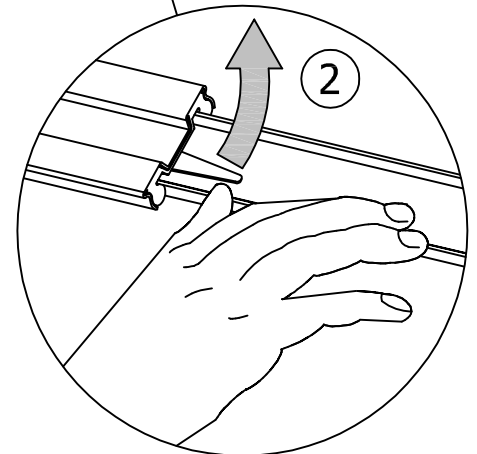
Les glissières doivent être séparées avant l'assemblage.  
Après la séparation, mettez de côté jusqu'au moment de l'assemblage.



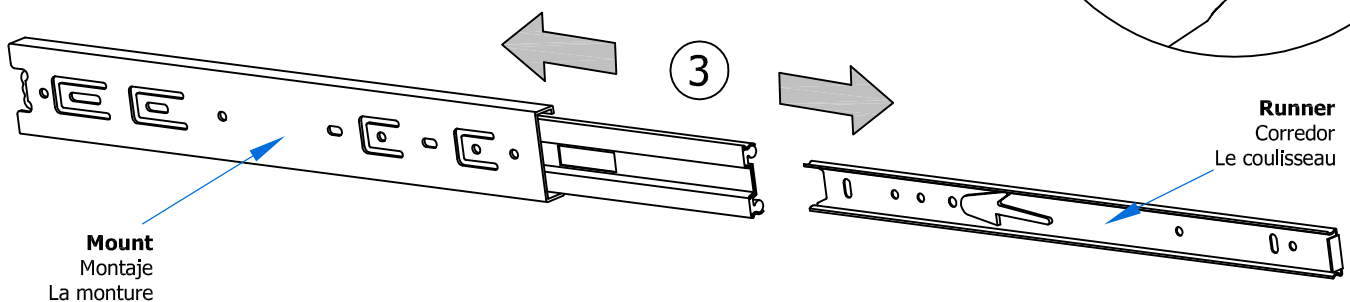
**STEP 1: Extend Slide**  
Extender la diapositiva  
Extendre la diapositive



**STEP 2: Push Lever UP**  
Empujar hacia arriba  
Lever le levier



**STEP 3: Remove Runner**  
Quitar el corredor  
Enlever le coureur



Have an assembly question or need a replacement part? Just call  
**1-800-950-4782**, we are here to help.



# STEP 9

# Install Slide Runners

A208670A

Scan QR Code to Watch Video on:



How to Separate and Install Drawer Slides

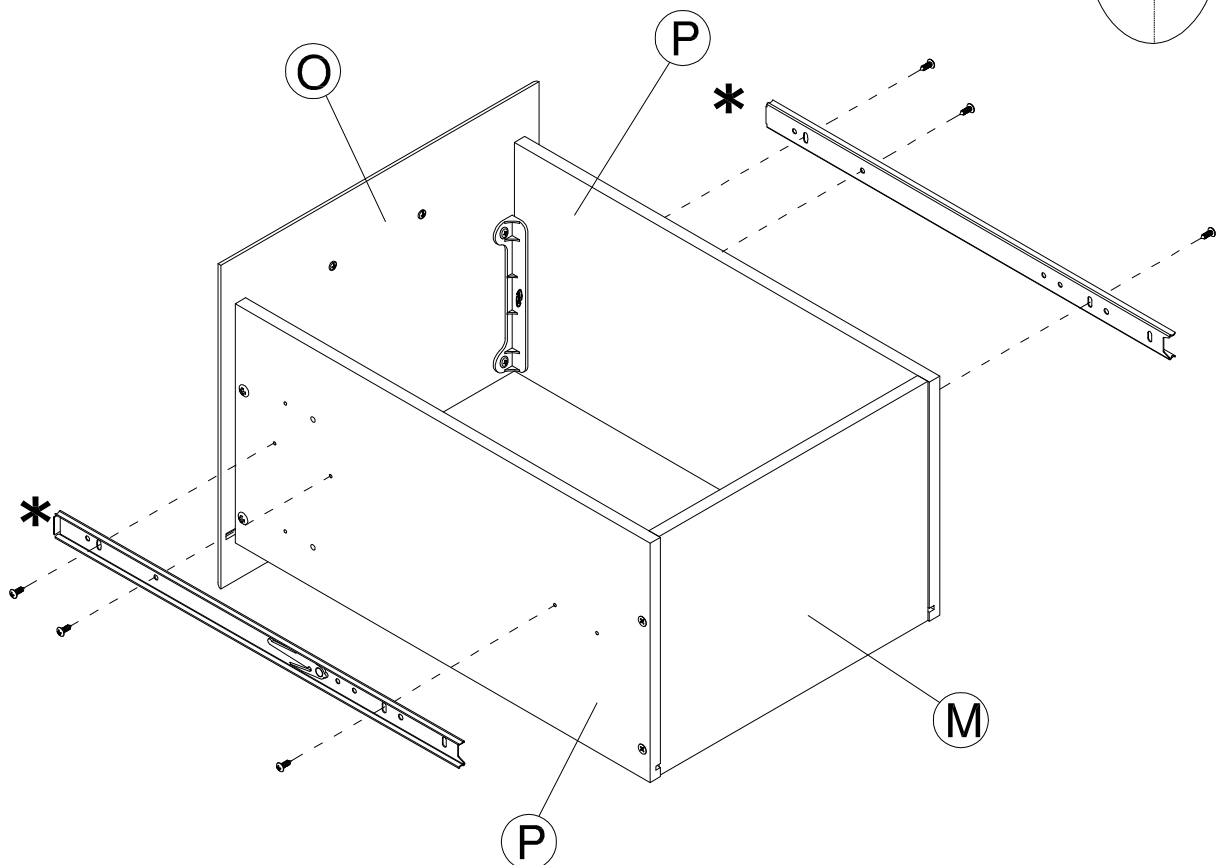
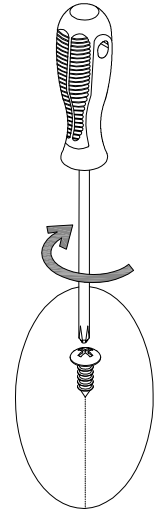
H192100 [ 6 ]

#8 x 1/2"

Z38723

18"(457mm) Slide

[ 2 ]



Have an assembly question or need a replacement part? Just call **1-800-950-4782**, we are here to help.

# STEP 10

## Install Slide Runners

A208670A

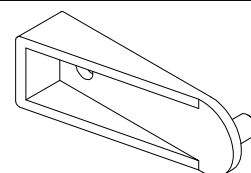
Scan QR Code to Watch Video on:



How to Separate and Install Drawer Slides

H192100  [ 7 ]  
#8 x 1/2"

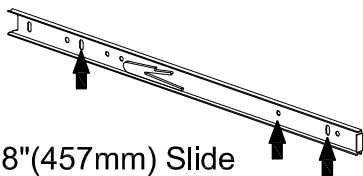
H158577



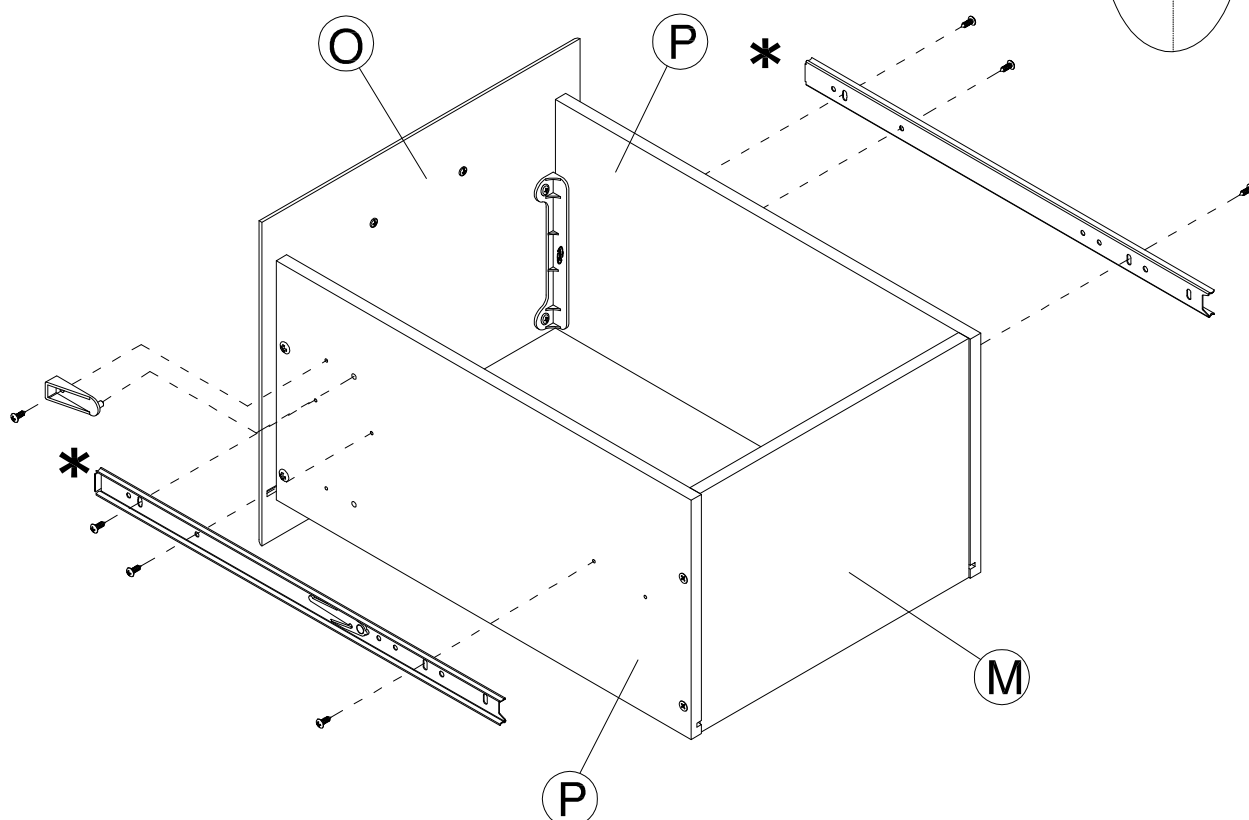
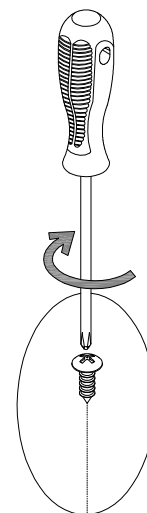
[ 1 ]

Lock Catch

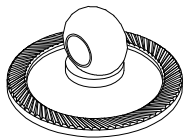
Z38723



18"(457mm) Slide \* [ 2 ]

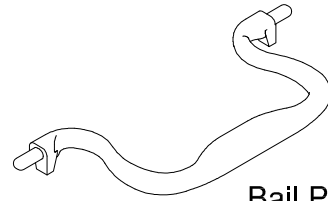


Have an assembly question or need a replacement part? Just call  
**1-800-950-4782**, we are here to help.



[ 4 ]

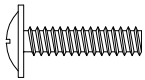
Rosette



[ 2 ]

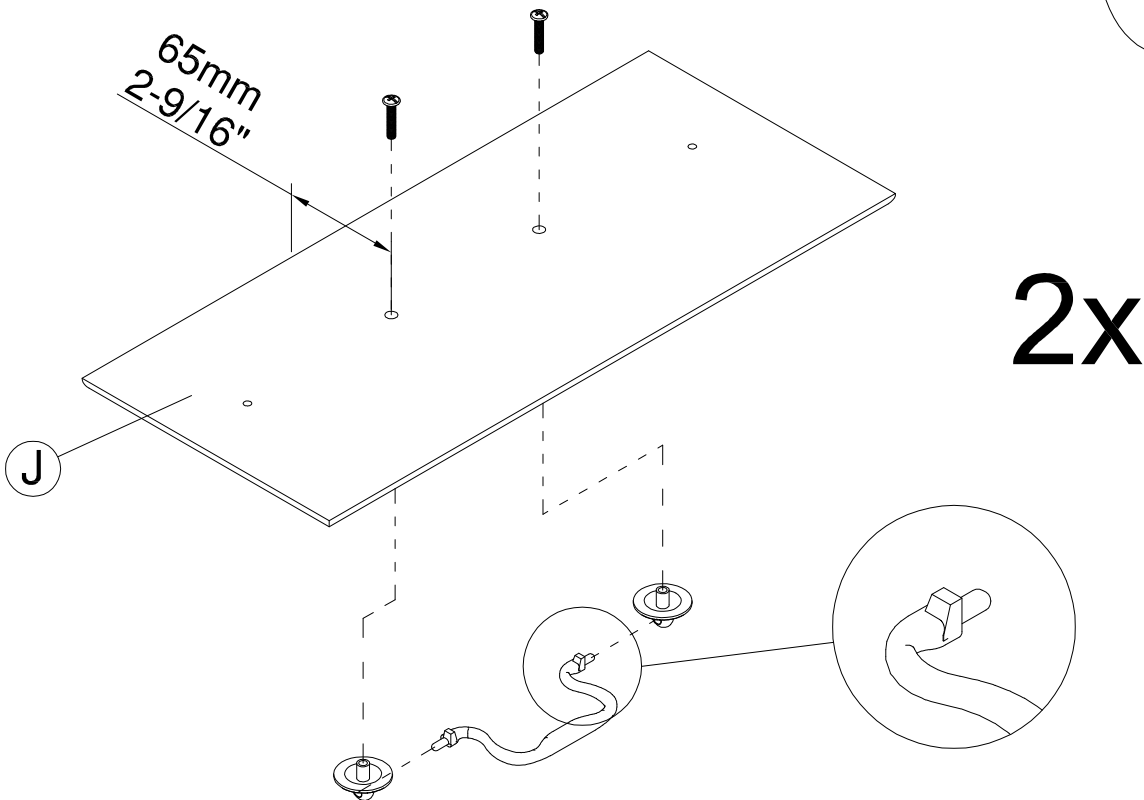
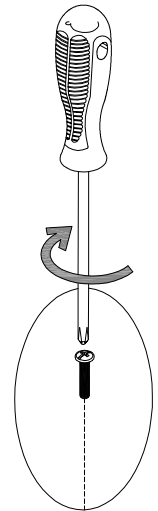
Bail Pull

H158559



[ 4 ]

M4 x 16mm

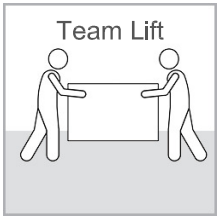


Have an assembly question or need a replacement part? Just call **1-800-950-4782**, we are here to help.

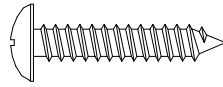
# STEP 12

# Assemble Panels

A208670A

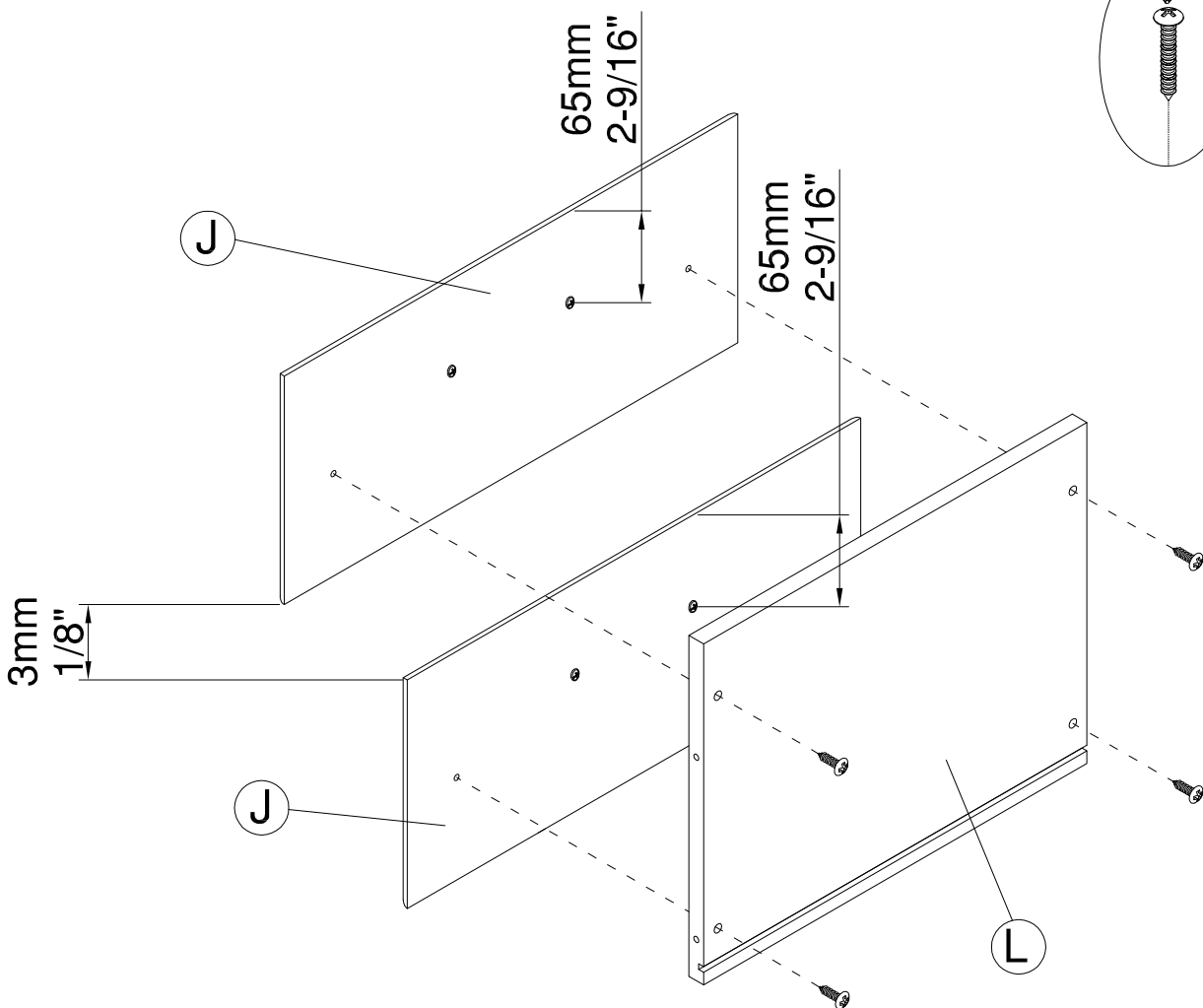
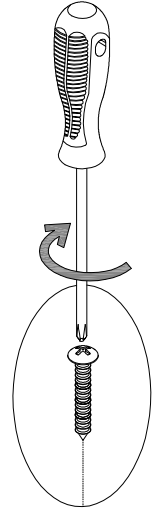


H23682



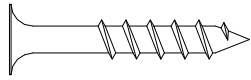
[ 4 ]

#10 x 1"



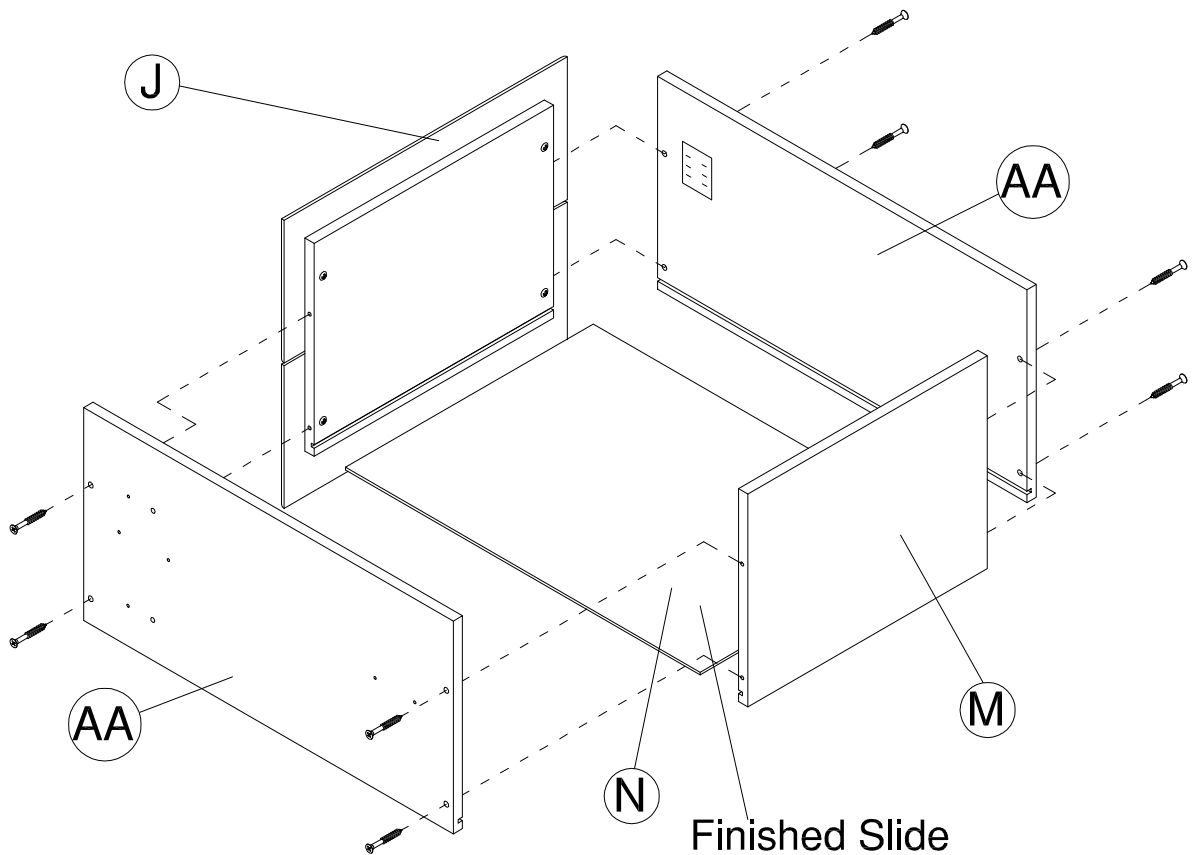
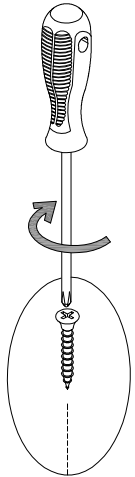
Have an assembly question or need a replacement part? Just call  
**1-800-950-4782**, we are here to help.

H26053



#10 x 1-1/4"

[ 8 ]



Finished Slide  
Lado Terminada  
Cote Fini

Have an assembly question or need a replacement part? Just call  
**1-800-950-4782**, we are here to help.

# STEP 14

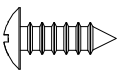
# Install Slide Runners

A208670A

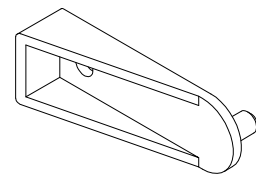
Scan QR Code to Watch Video on:



How to Separate and Install Drawer Slides

H192100  [ 7 ]  
#8 x 1/2"

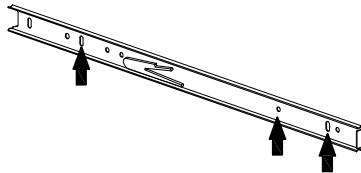
H158577



[ 1 ]

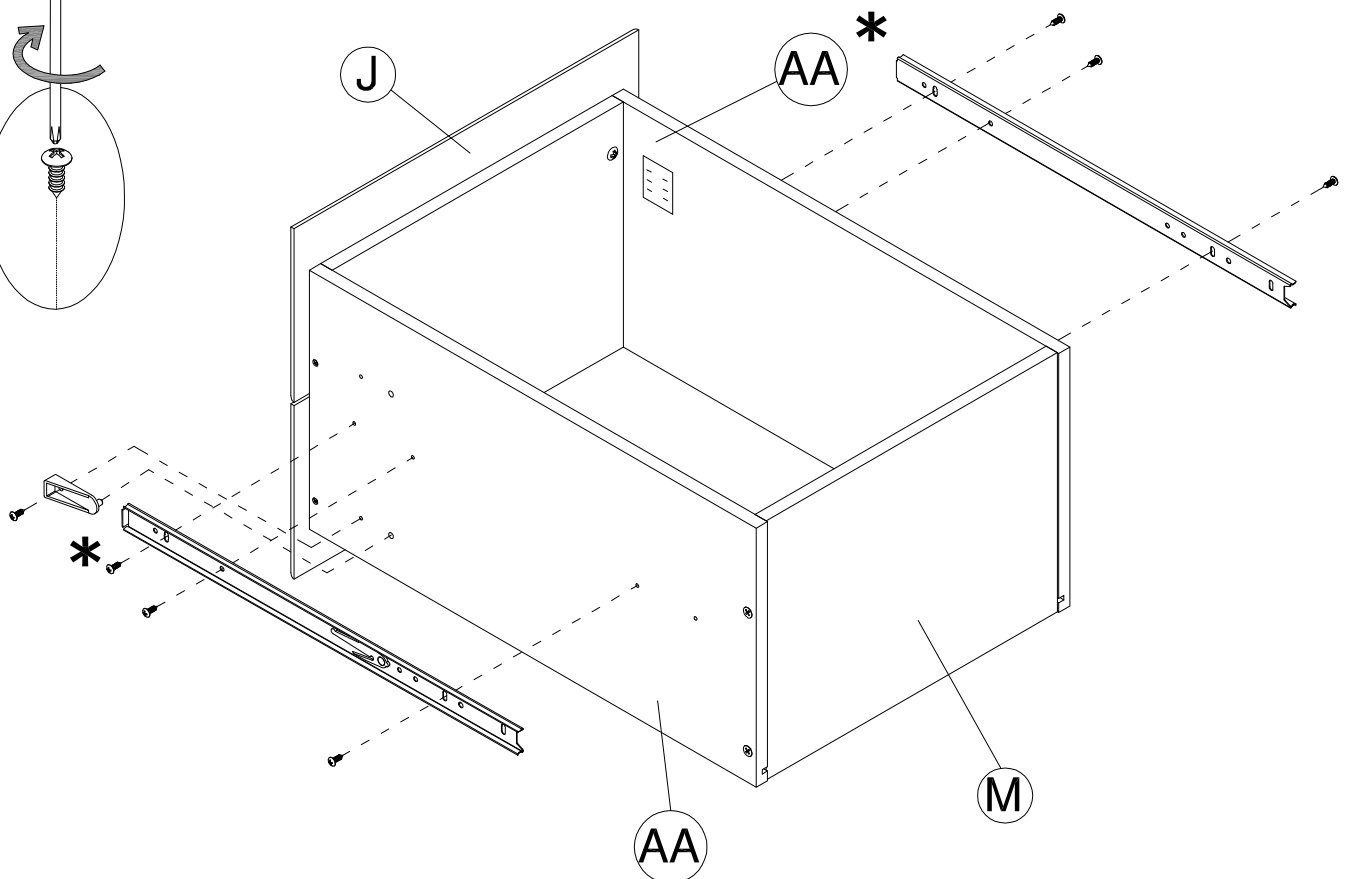
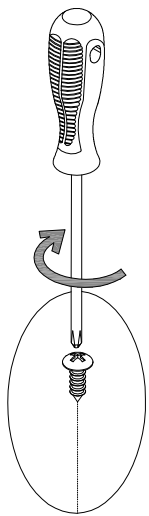
Lock Catch

Z38723



\* [ 2 ]

18"(457mm) Slide



Have an assembly question or need a replacement part? Just call **1-800-950-4782**, we are here to help.

# STEP 15

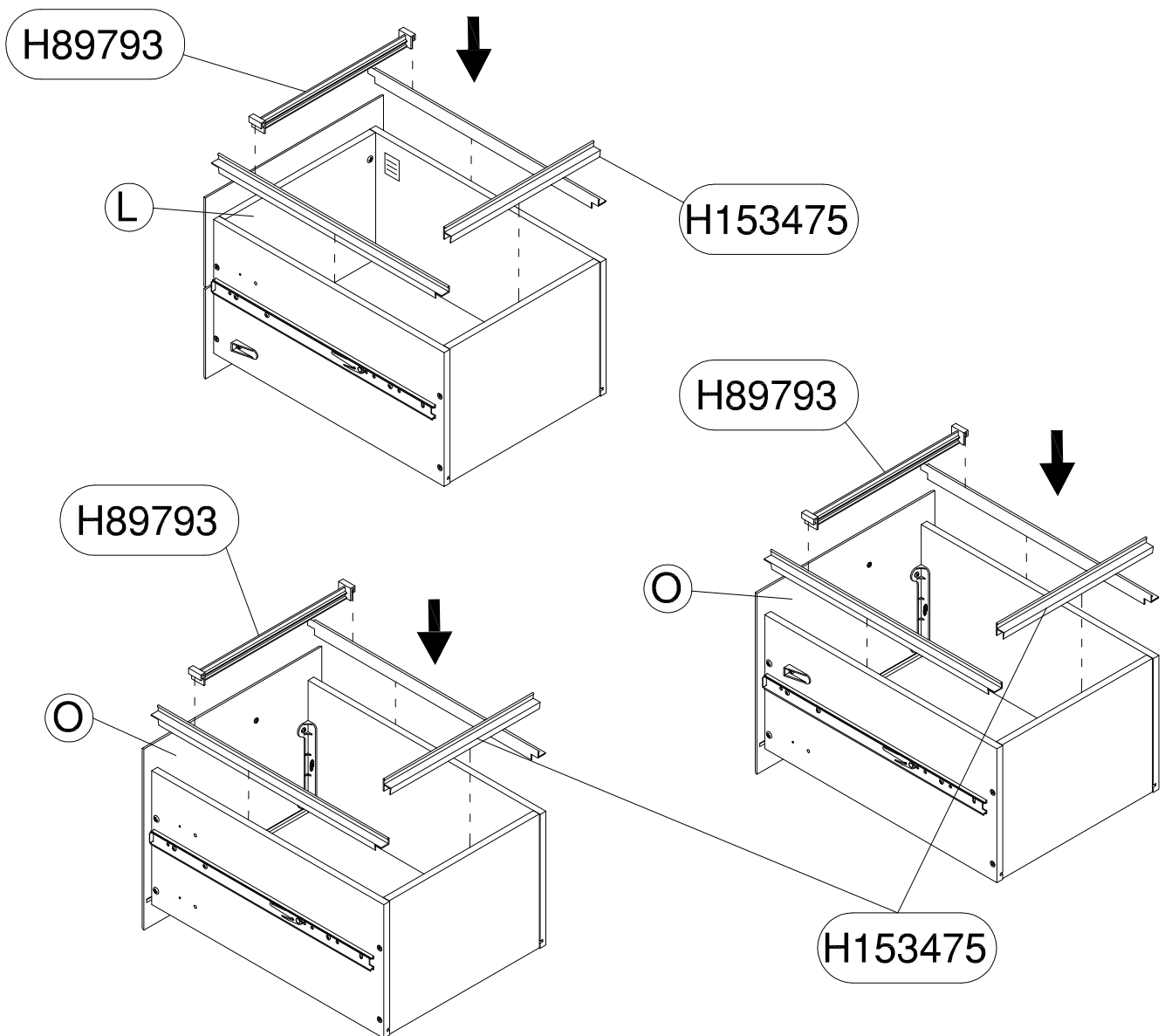
# Install Hardware

A208670A

H89793 [ 3 ]  
File Bar  
12-1/2" (318mm)

H153477 [ 6 ]  
File Extrusion  
18-7/8" (480mm)

H153475 [ 3 ]  
File Extrusion  
12-1/8" (308mm)



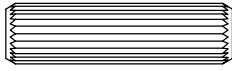
Have an assembly question or need a replacement part? Just call  
**1-800-950-4782**, we are here to help.

# STEP 16

# Prepare Panels

A208670A

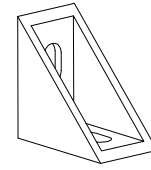
H38169



[ 8 ]

Wood Dowel  
8 x 30mm

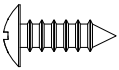
H156903



[ 6 ]

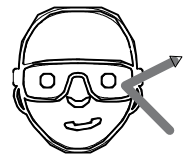
Plastic Connector

H192100

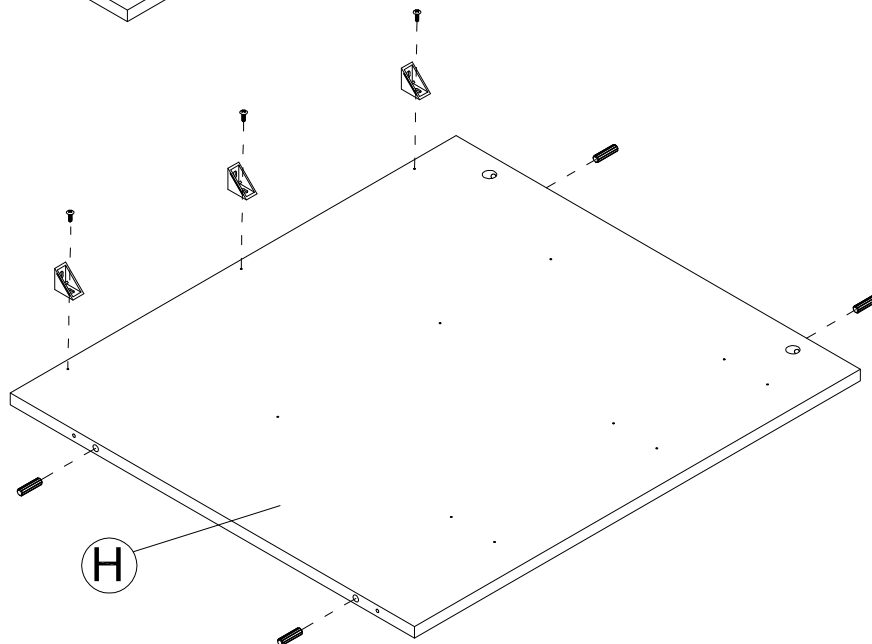
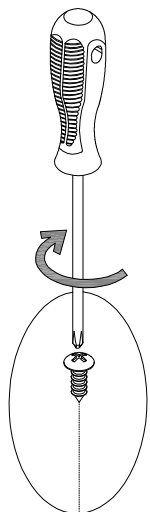
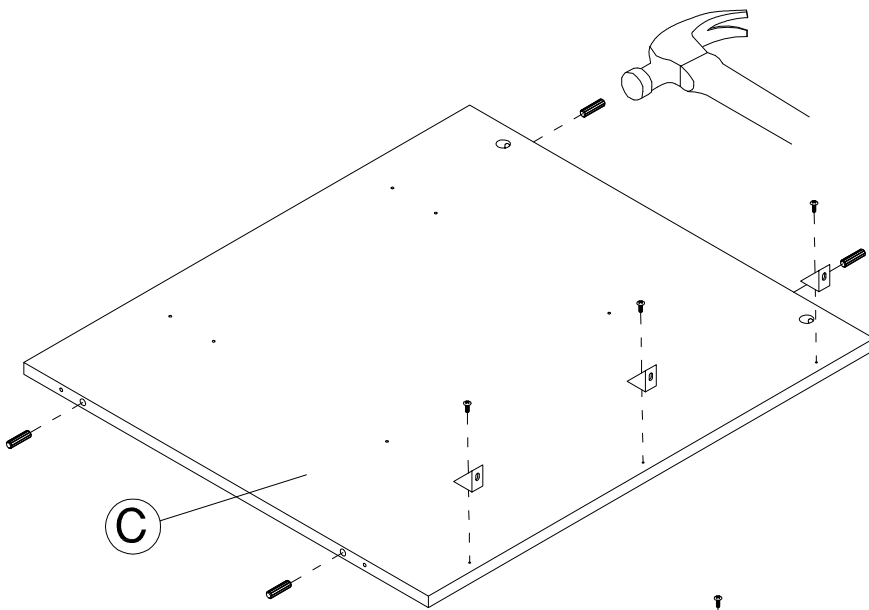


[ 6 ]

#8 x 1/2"



Safety glasses  
Gafas de seguridad  
Lunettes de protection



Have an assembly question or need a replacement part? Just call  
**1-800-950-4782**, we are here to help.



# STEP 17

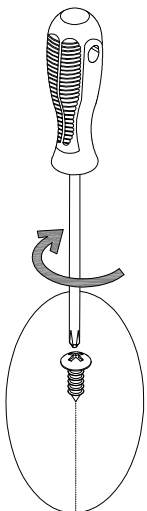
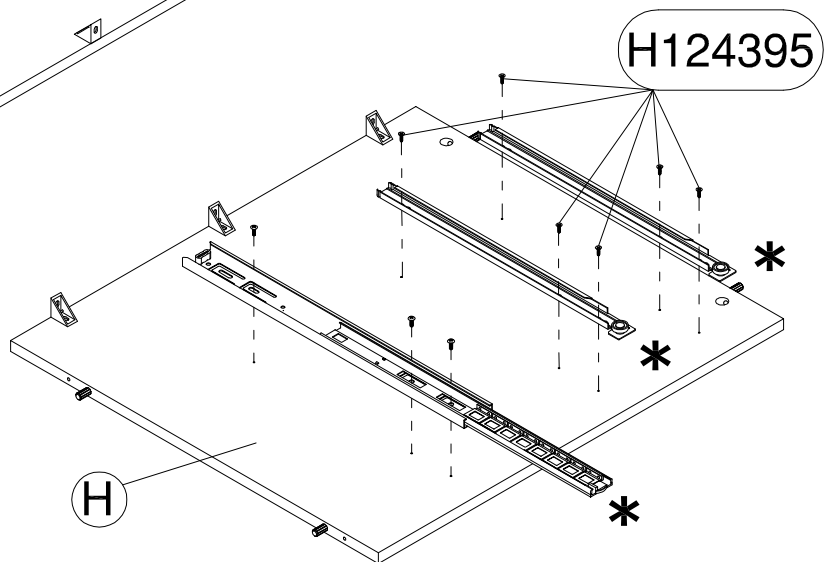
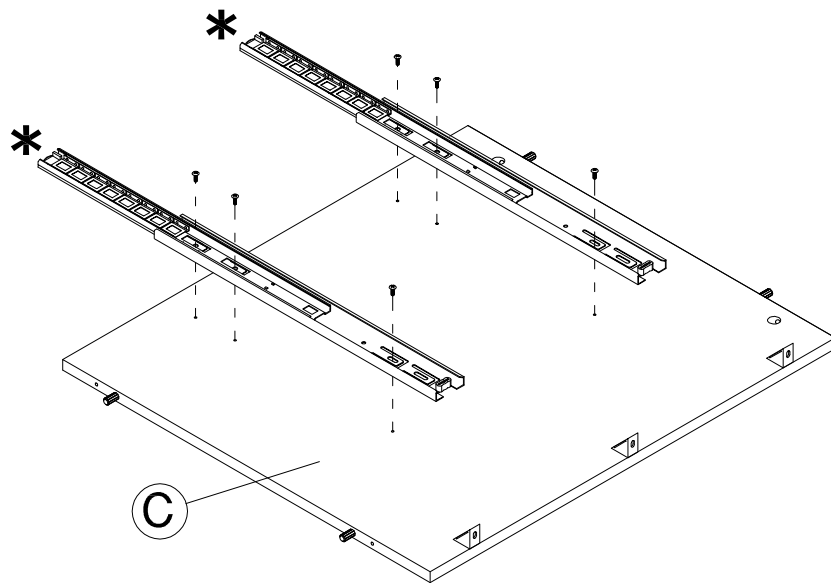
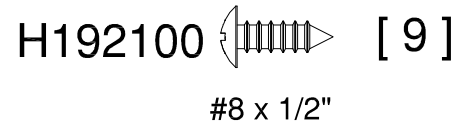
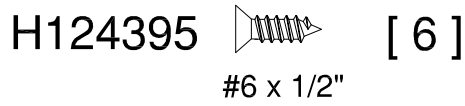
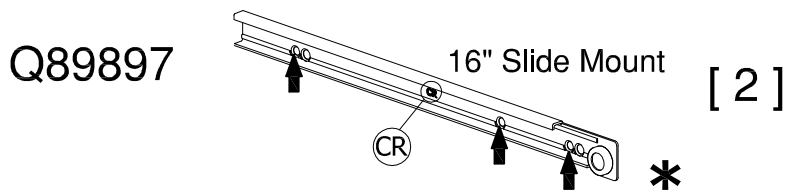
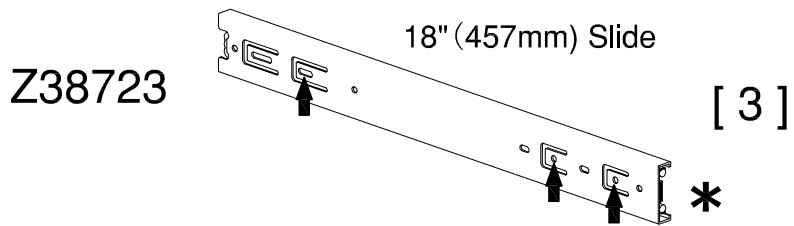
# Prepare Panels

A208670A

Scan QR Code to Watch Video on:



How to Separate and Install Drawer Slides



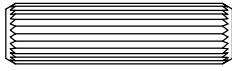
Have an assembly question or need a replacement part? Just call **1-800-950-4782**, we are here to help.

# STEP 18

# Prepare Panel

A208670A

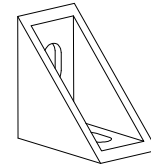
H38169



[ 2 ]

Wood Dowel  
8 x 30mm

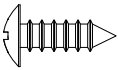
H156903



[ 3 ]

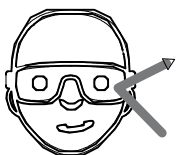
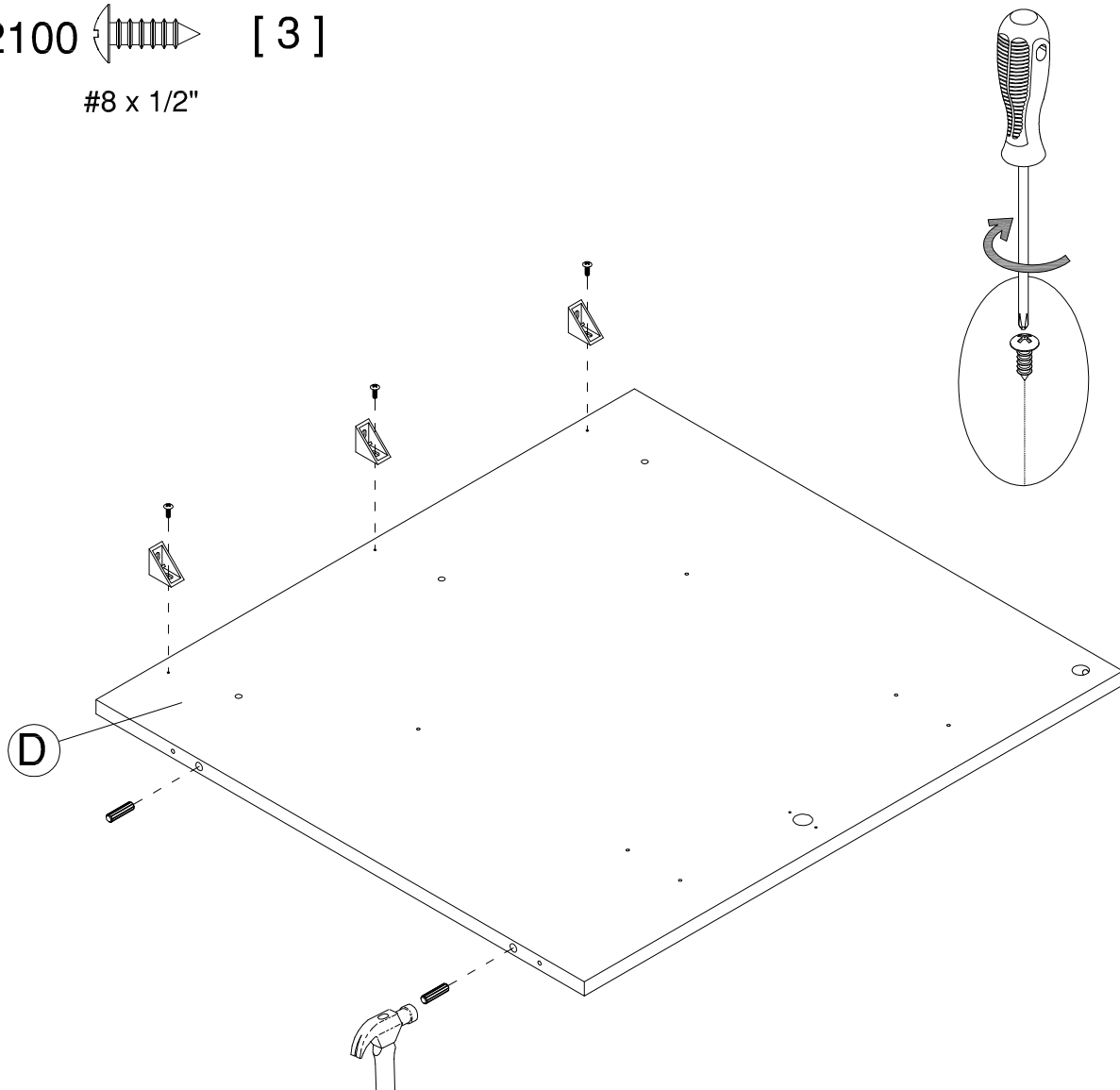
Plastic Connector

H192100



[ 3 ]

#8 x 1/2"



Safety glasses  
Gafas de seguridad  
Lunettes de protection

Have an assembly question or need a replacement part? Just call  
**1-800-950-4782**, we are here to help.

# STEP 19

# Prepare Panel

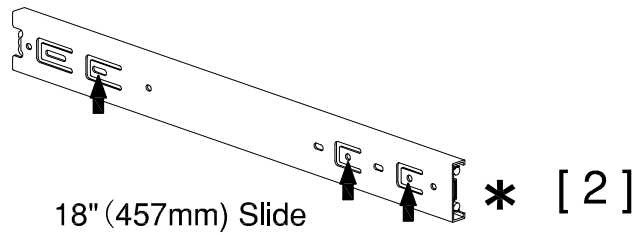
A208670A

Scan QR Code to Watch Video on:



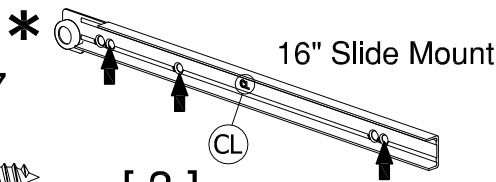
How to Separate and Install Drawer Slides

Z38723



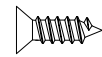
18" (457mm) Slide \* [ 2 ]

Q89897



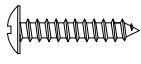
16" Slide Mount \* [ 1 ]

H124395



#6 x 1/2" [ 3 ]

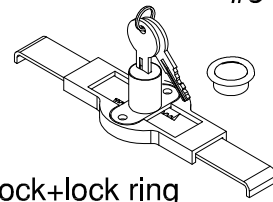
H174784



#5 x 5/8" [ 2 ]

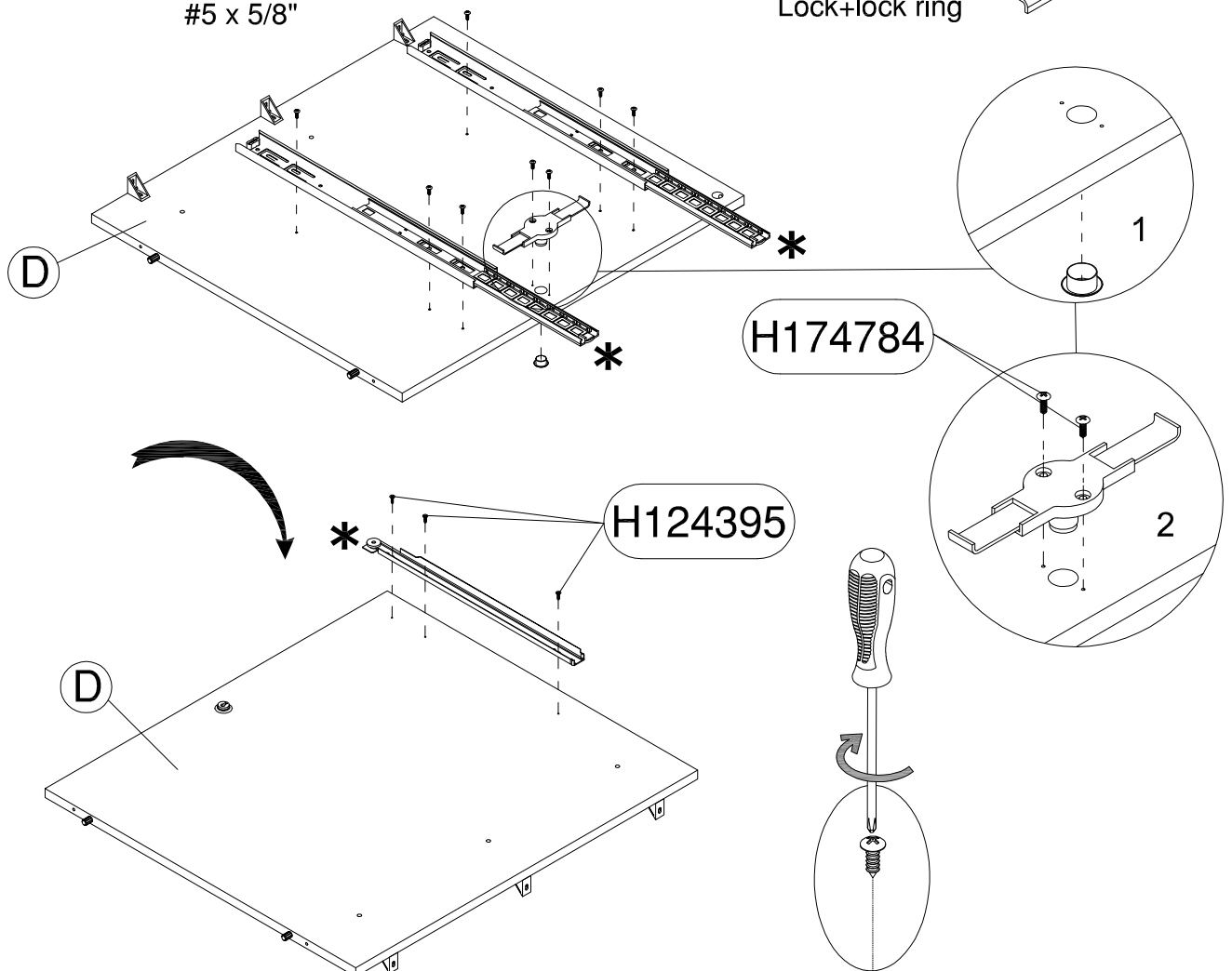
[ 1 ] H192100 [ 6 ]

#8 x 1/2"



[ 1 ]

Lock+lock ring



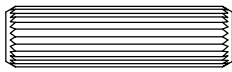
Have an assembly question or need a replacement part? Just call **1-800-950-4782**, we are here to help.

# STEP 20

# Prepare Panel

A208670A

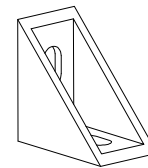
H38169



[ 2 ]

Wood Dowel  
8 x 30mm

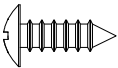
H156903



[ 3 ]

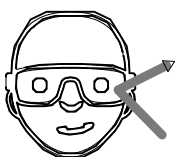
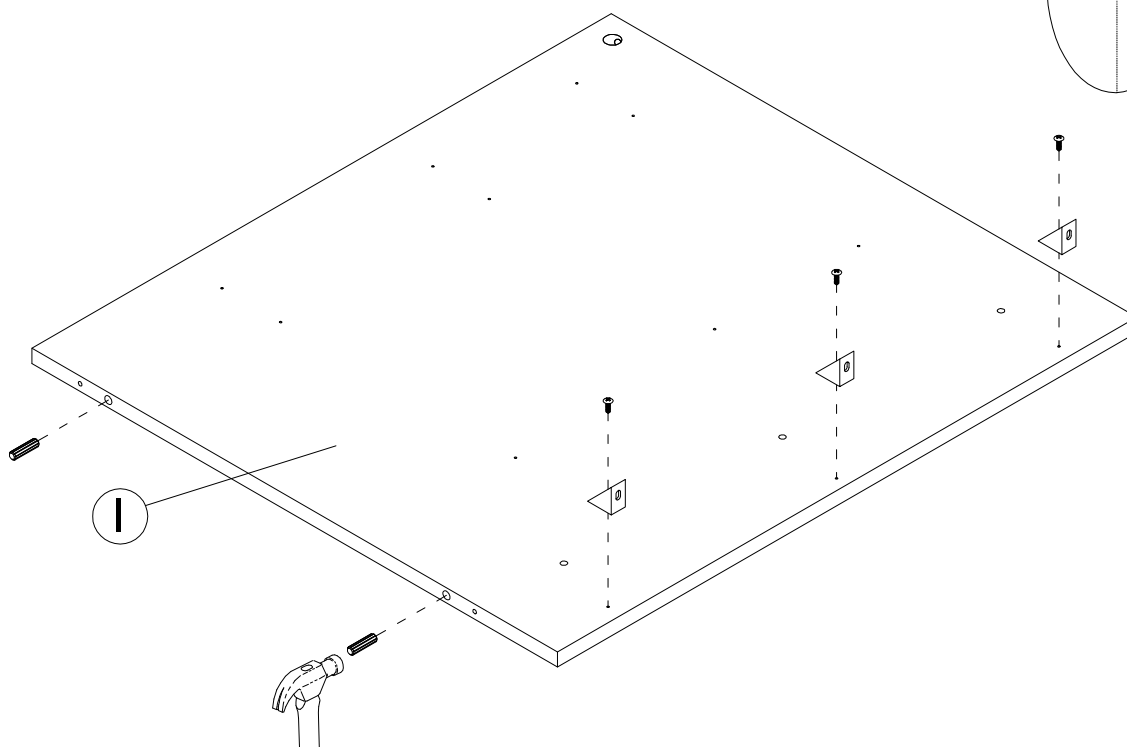
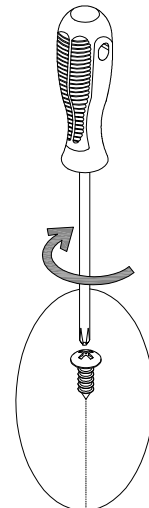
Plastic Connector

H192100



[ 3 ]

#8 x 1/2"



Safety glasses  
Gafas de seguridad  
Lunettes de protection

Have an assembly question or need a replacement part? Just call  
**1-800-950-4782**, we are here to help.

# STEP 21

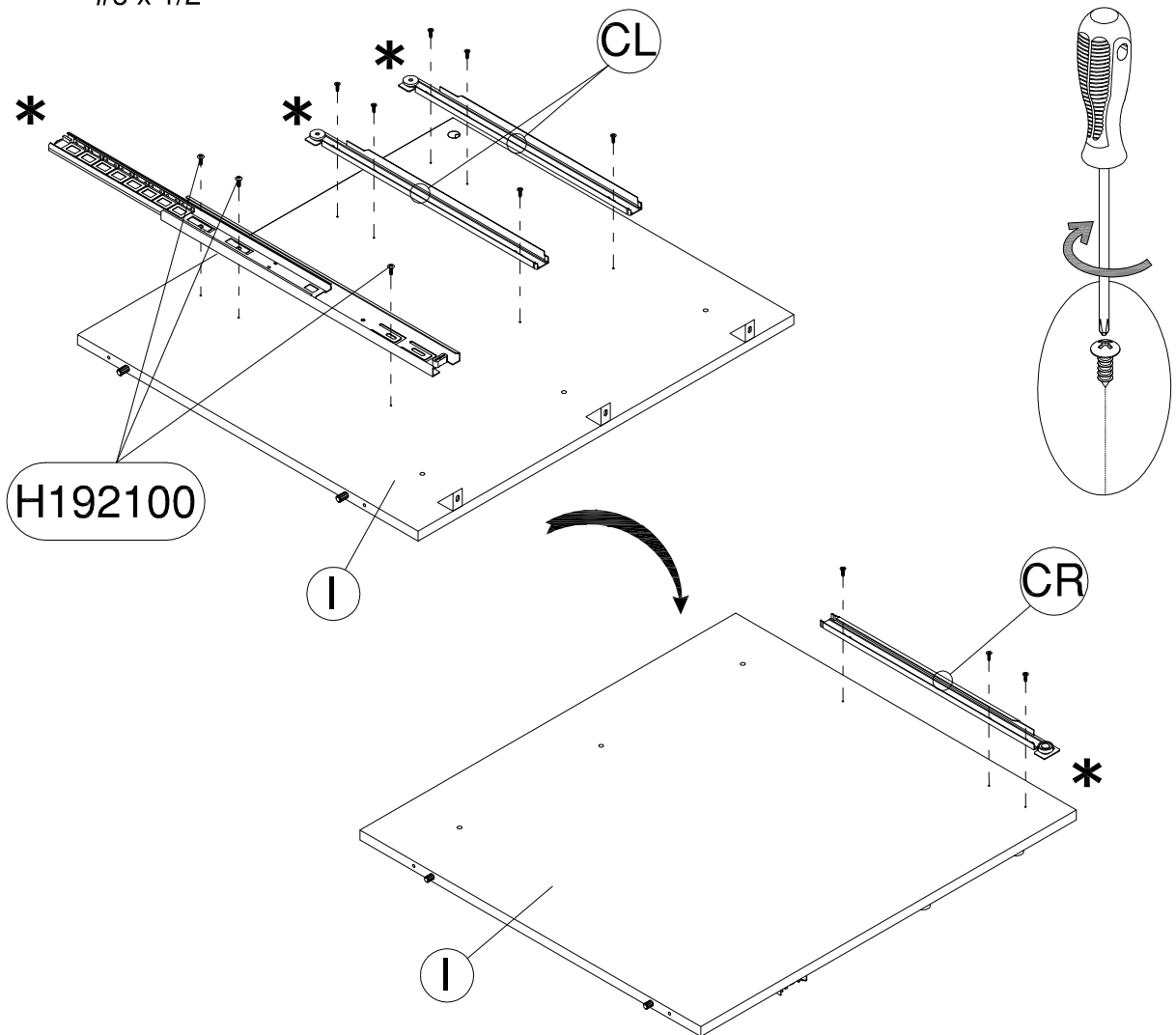
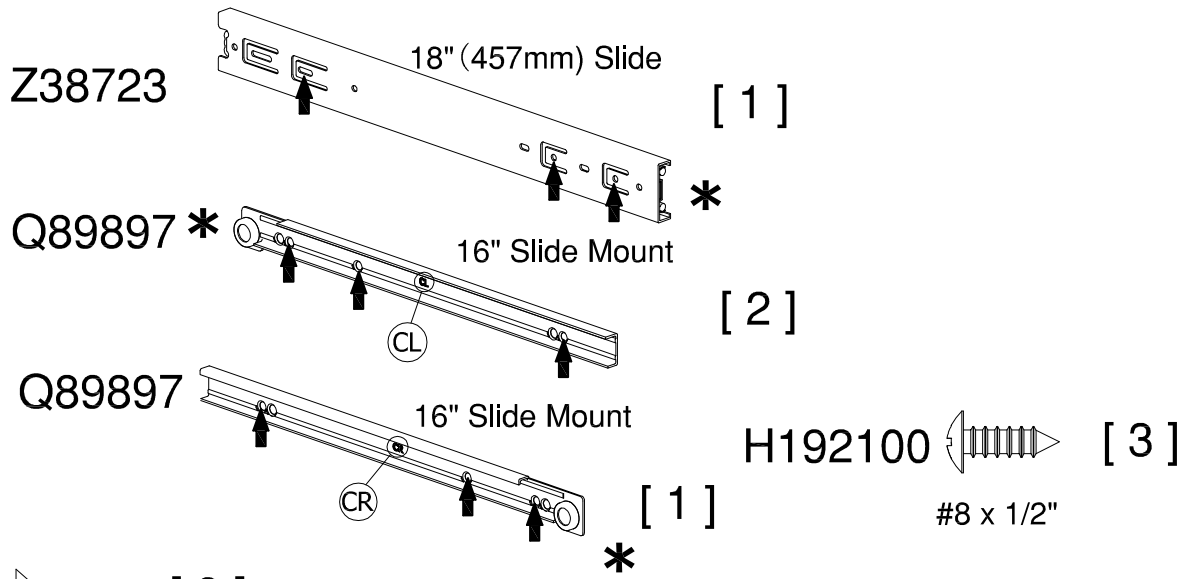
# Prepare Panel

A208670A

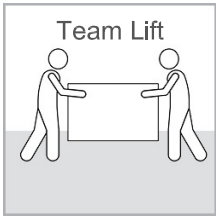
Scan QR Code to Watch Video on:

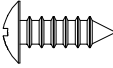


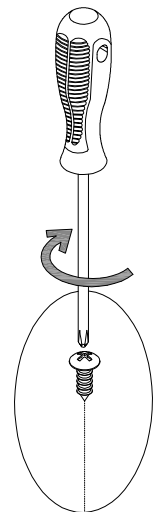
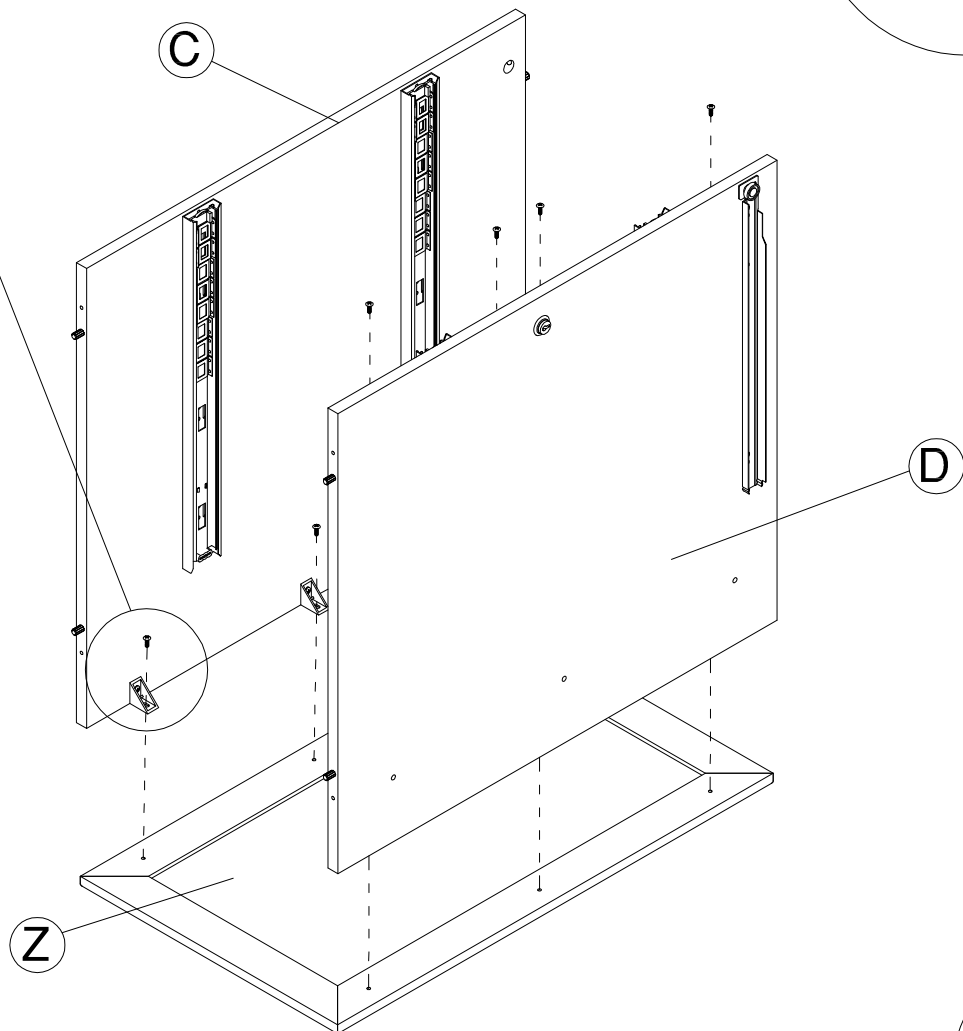
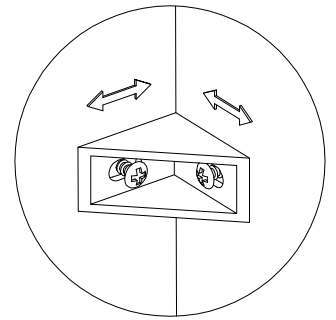
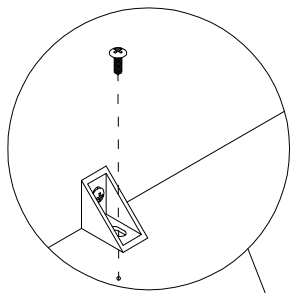
How to Separate and Install Drawer Slides



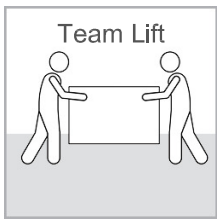
Have an assembly question or need a replacement part? Just call **1-800-950-4782**, we are here to help.



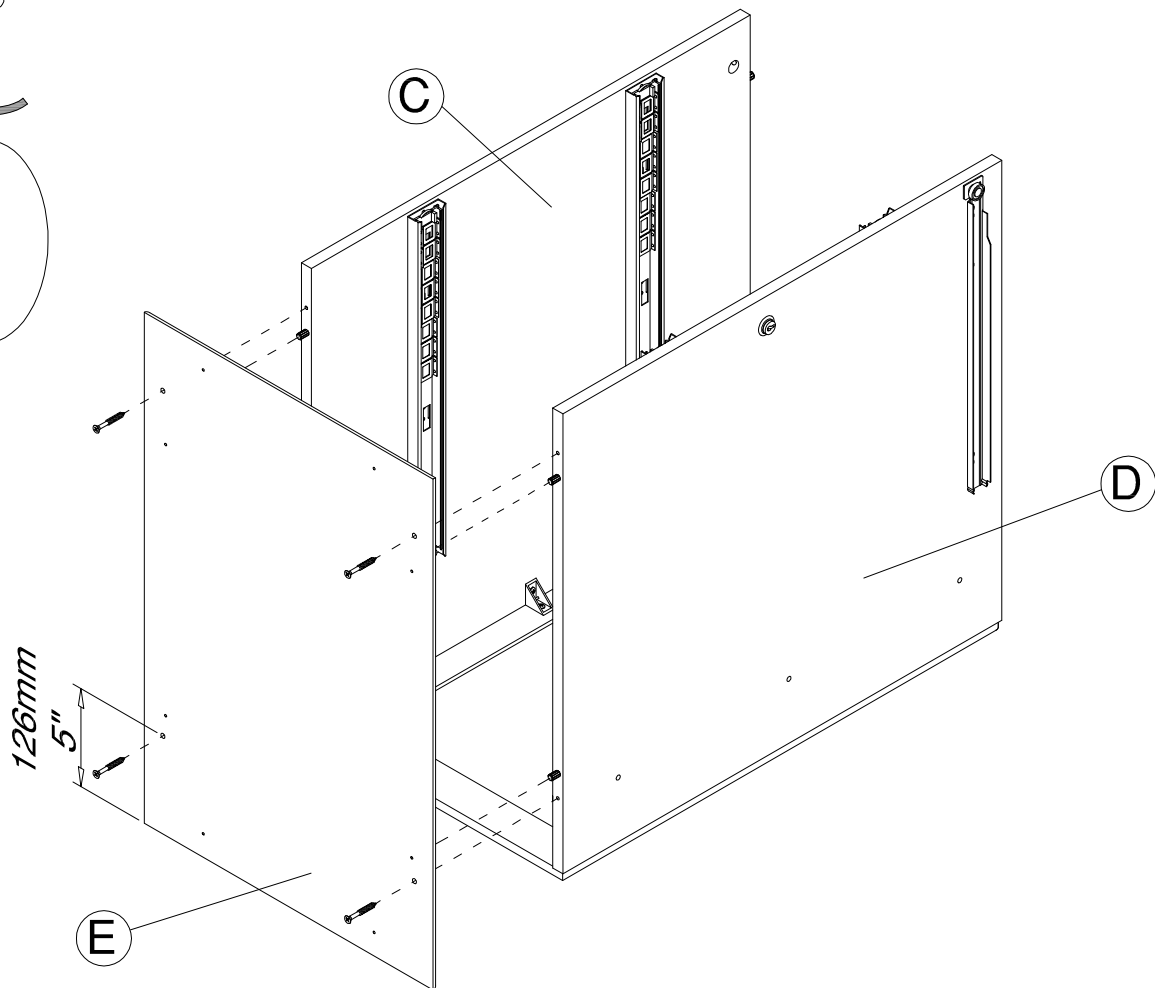
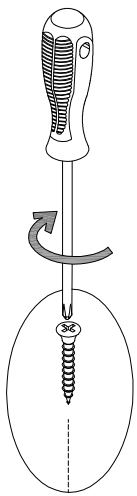
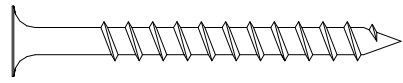
H192100  [ 6 ]  
#8 x 1/2"



Have an assembly question or need a replacement part? Just call  
**1-800-950-4782**, we are here to help.



H23491 [ 4 ]  
#10 x 2"



Have an assembly question or need a replacement part? Just call  
**1-800-950-4782**, we are here to help.

# STEP 24

# Prepare Panels

A208670A

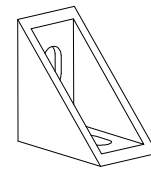
H38169



[ 16 ]

Wood Dowel  
8 x 30mm

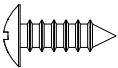
H156903



[ 24 ]

Plastic Connector

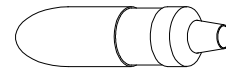
H192100



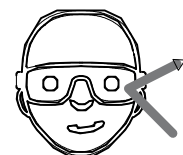
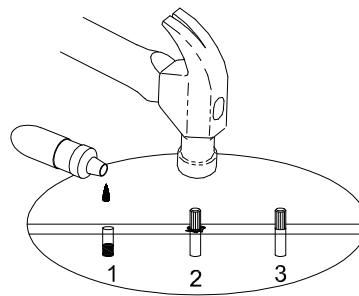
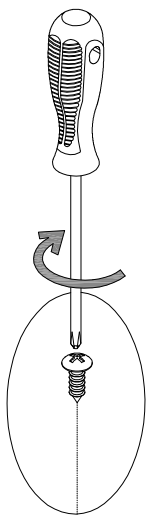
[ 24 ]

#8 x 1/2"

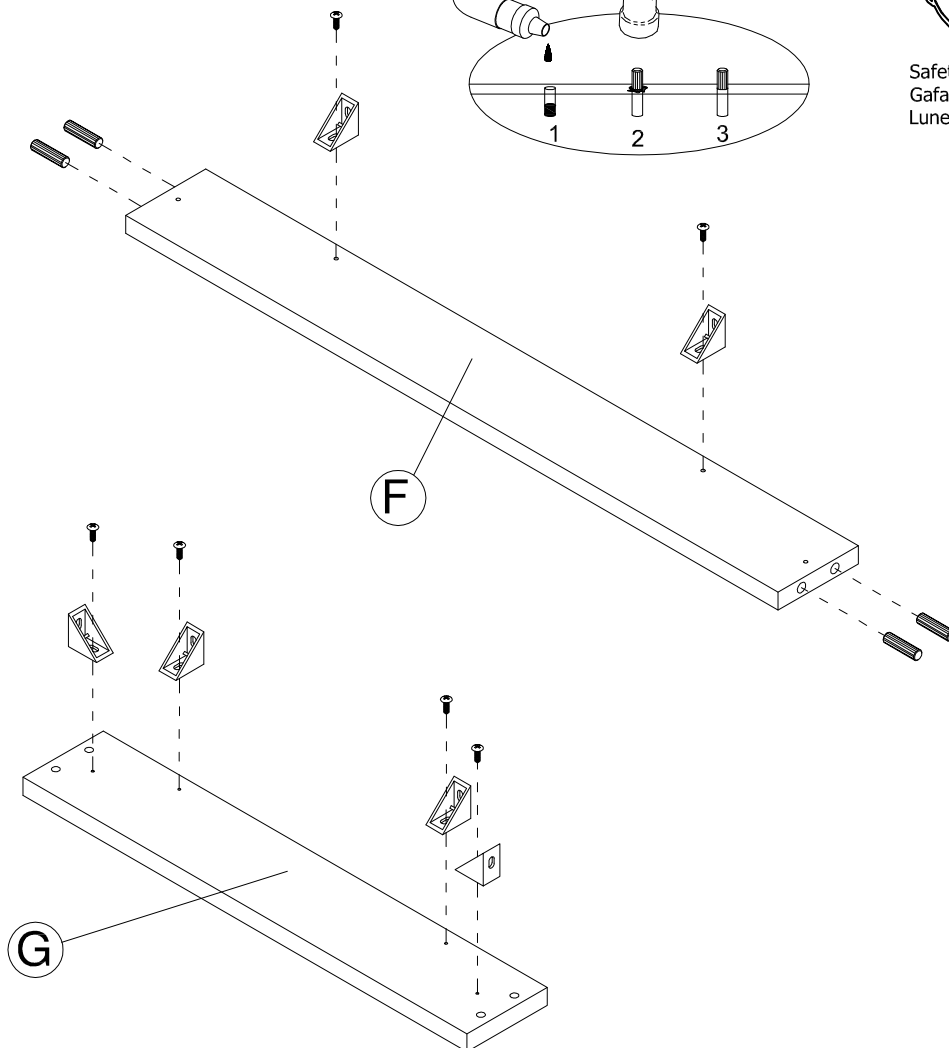
H27145



Glue



Safety glasses  
Gafas de seguridad  
Lunettes de protection



4x

4x

Have an assembly question or need a replacement part? Just call  
**1-800-950-4782**, we are here to help.



# STEP 25

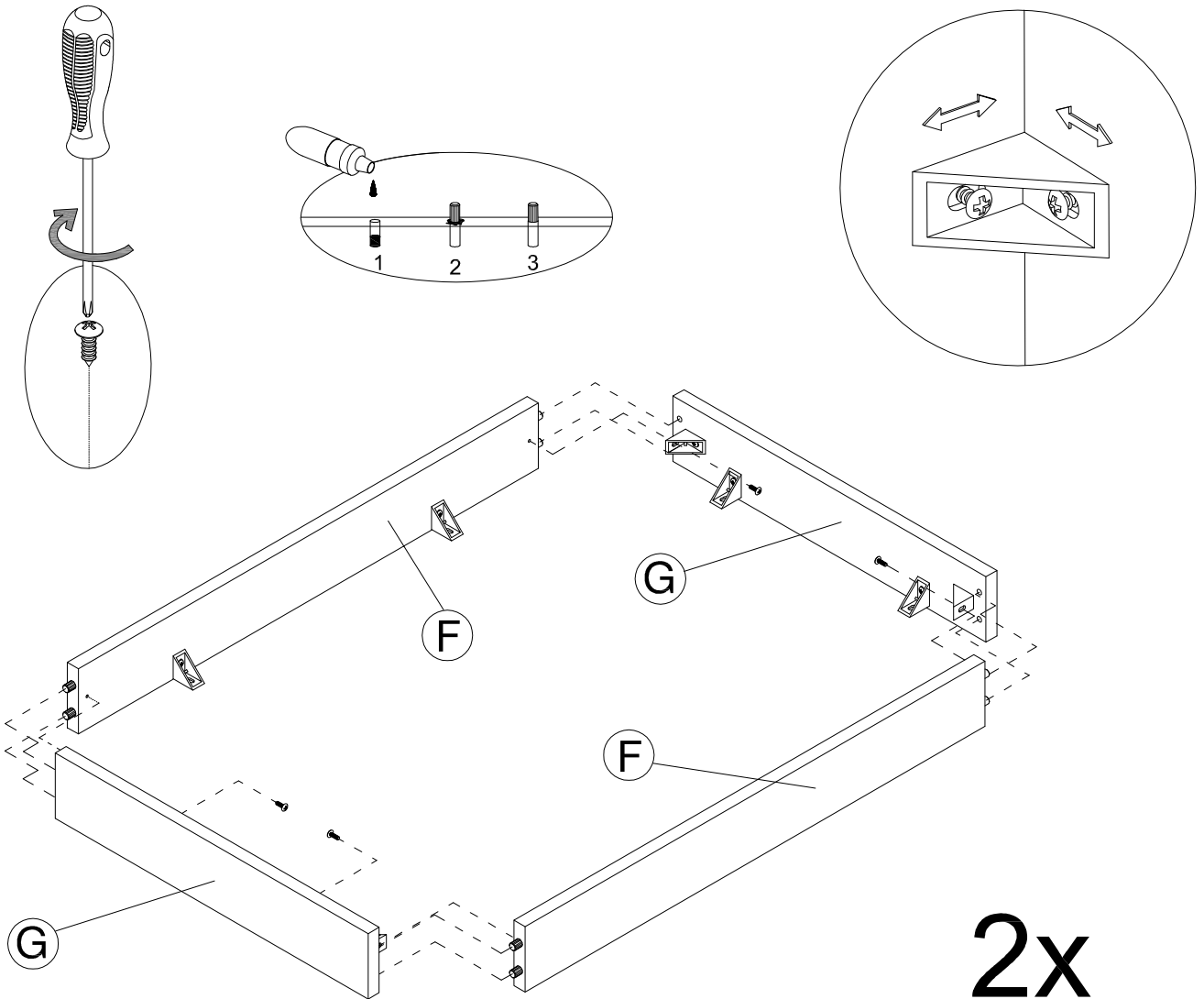
# Assemble Panels

A208670A

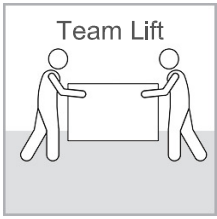
H192100 [ 8 ]  
#8 x 1/2"

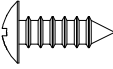
H27145

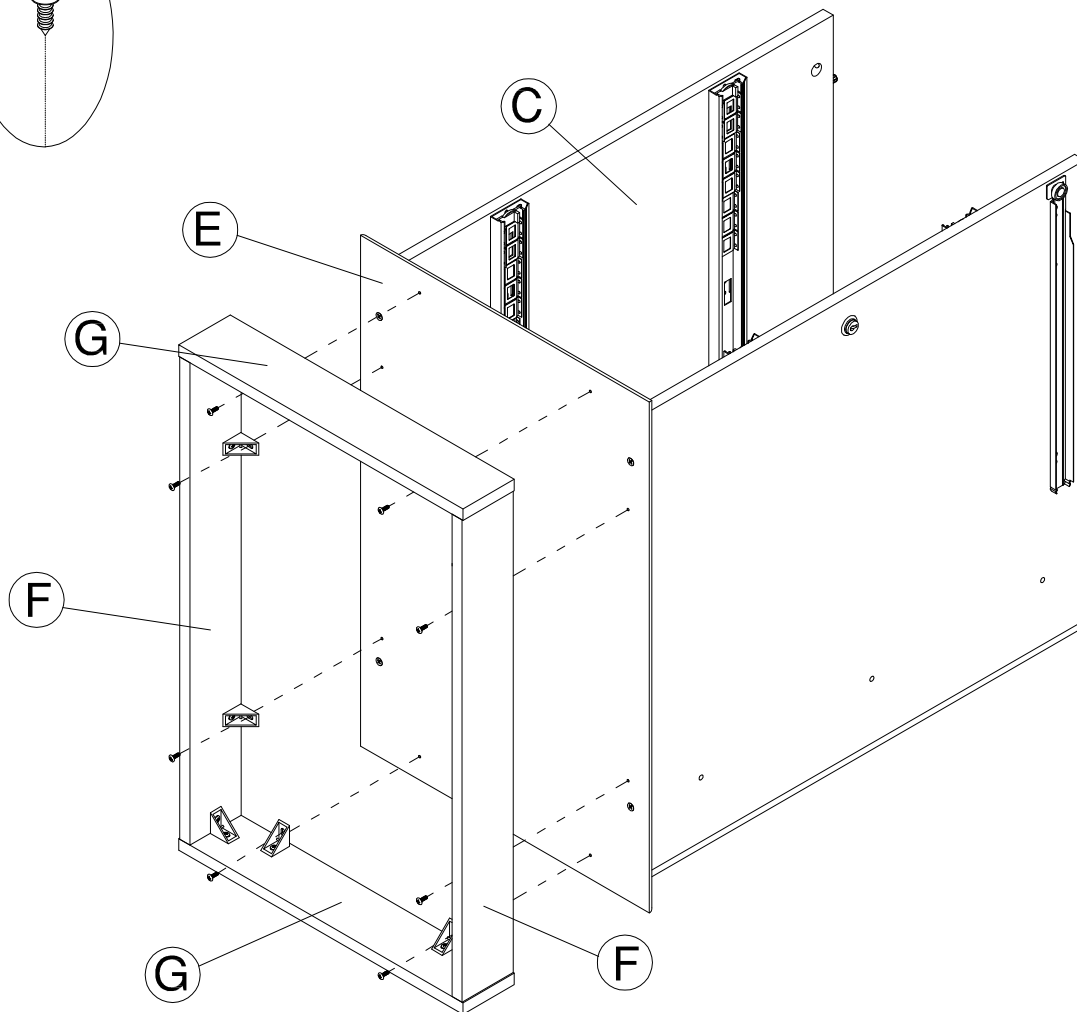
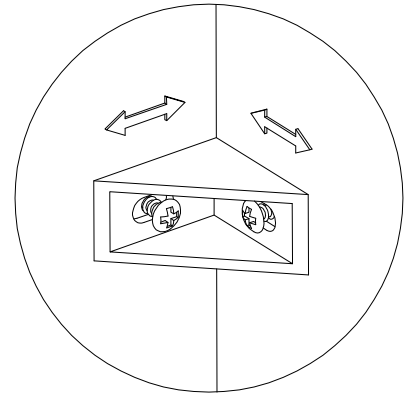
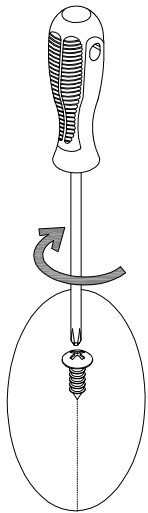
Glue



Have an assembly question or need a replacement part? Just call  
**1-800-950-4782**, we are here to help.



H192100  [ 8 ]  
#8 x 1/2"

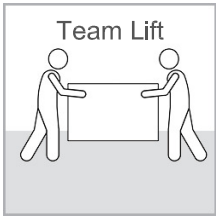


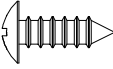
Have an assembly question or need a replacement part? Just call  
**1-800-950-4782**, we are here to help.

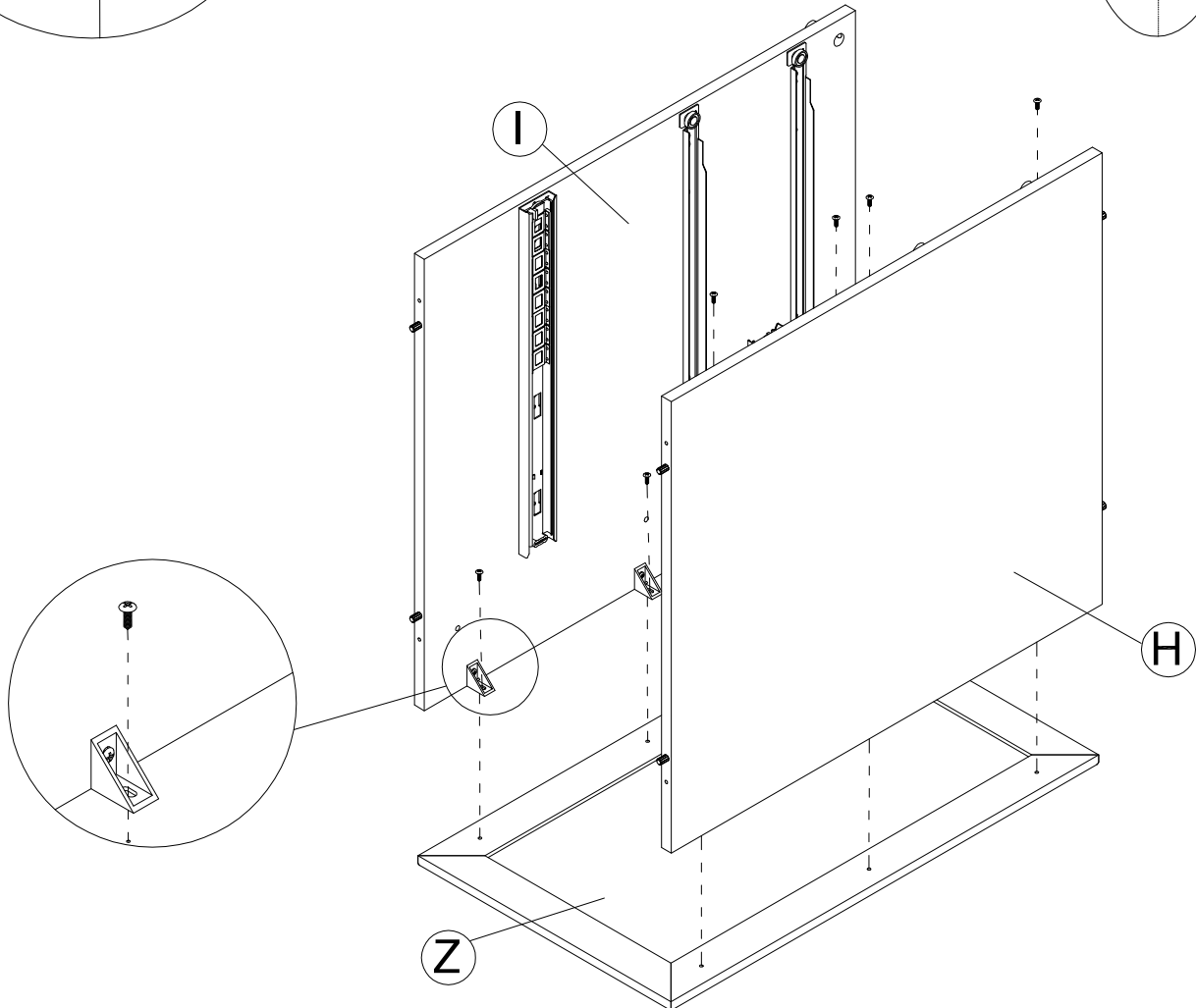
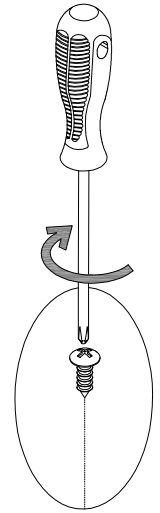
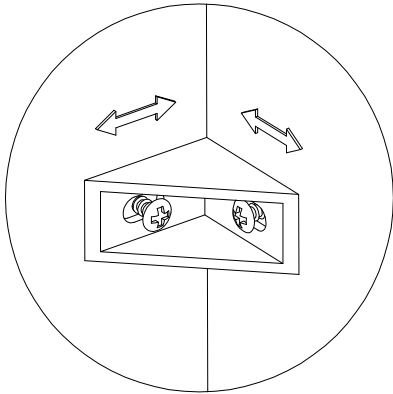
# STEP 27

# Assemble Panels

A208670A



H192100  [ 6 ]  
#8 x 1/2"

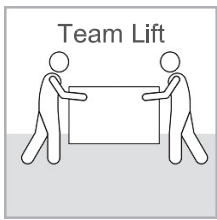


Have an assembly question or need a replacement part? Just call  
**1-800-950-4782**, we are here to help.

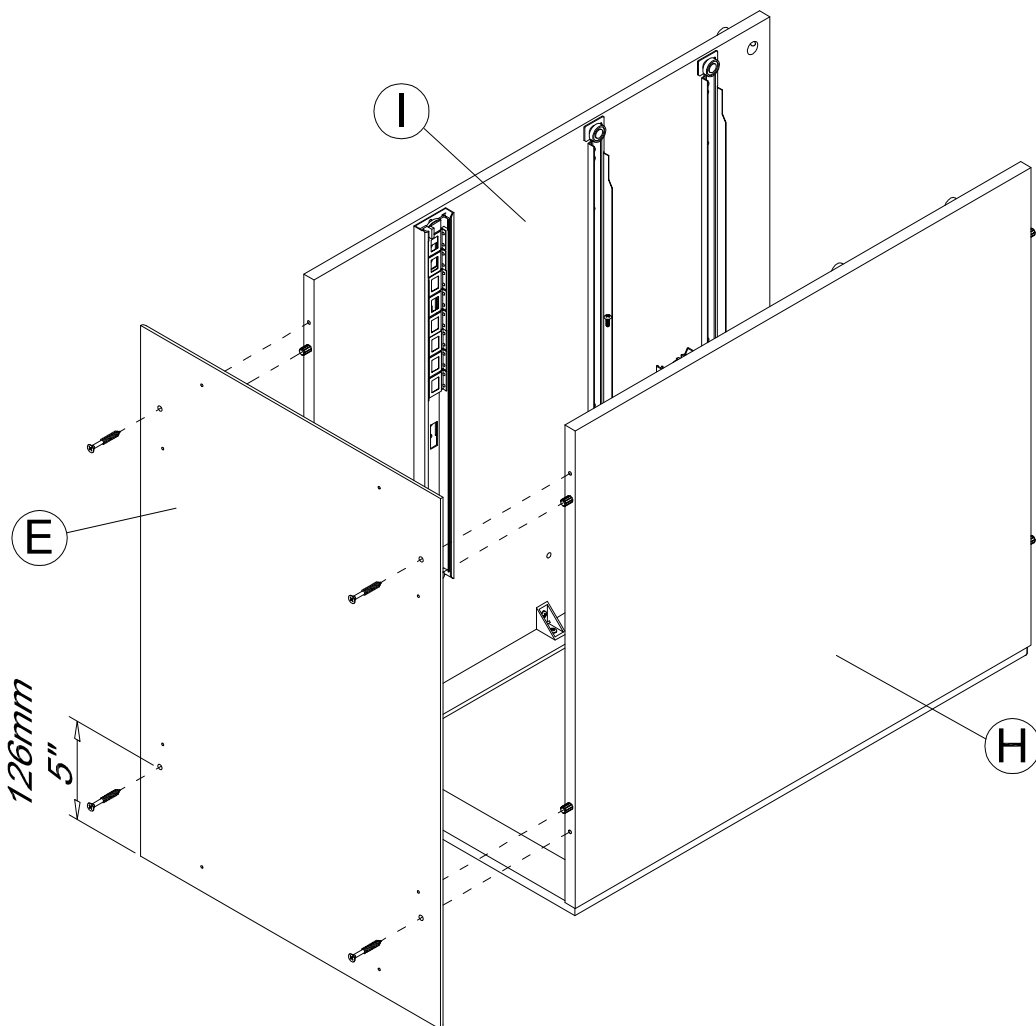
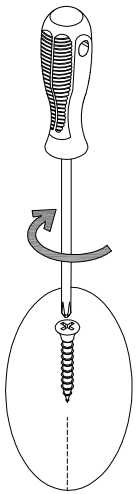
# STEP 28

# Assemble Panels

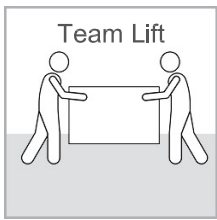
A208670A

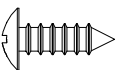


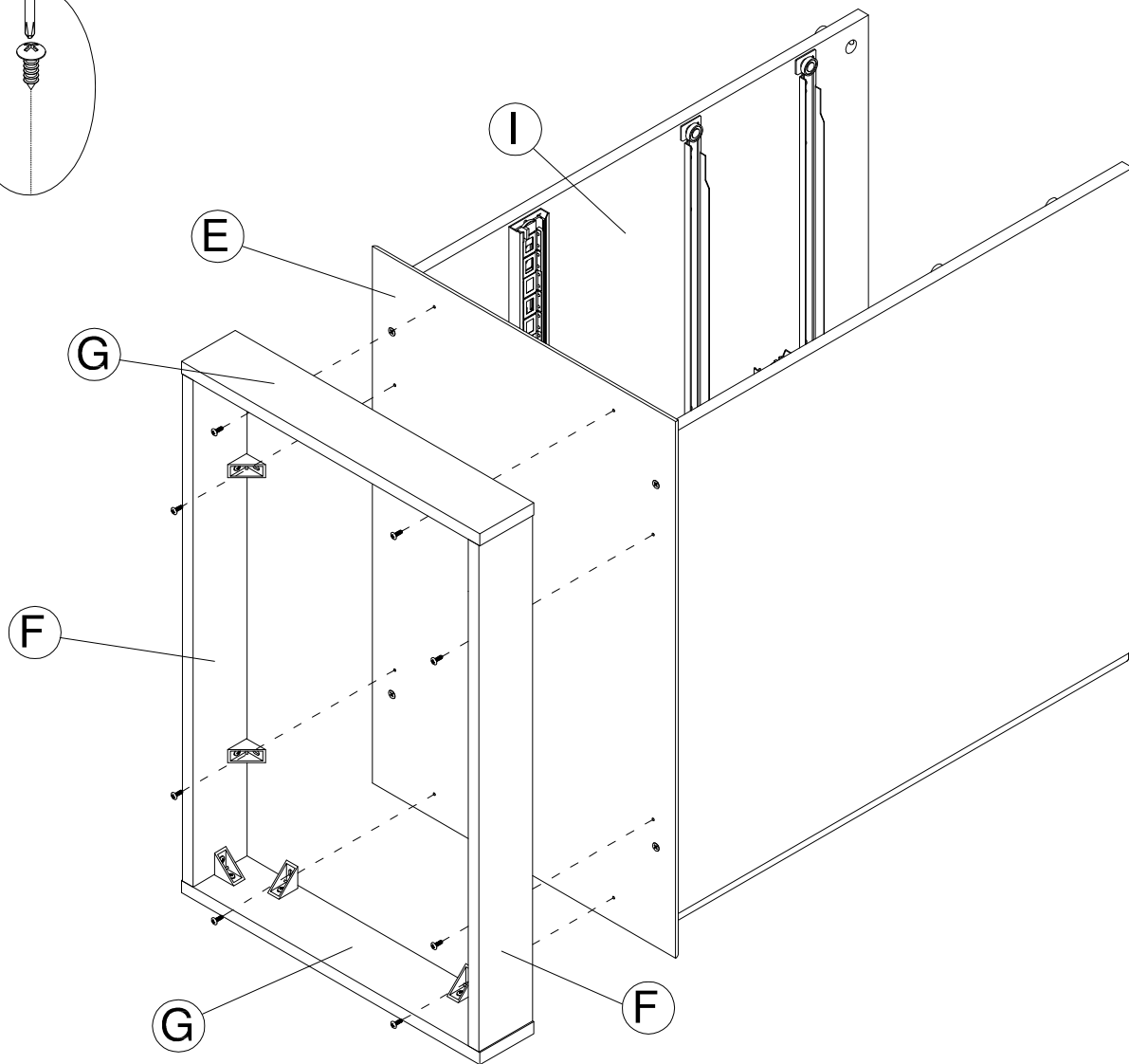
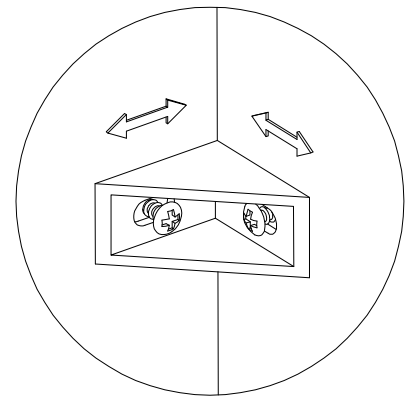
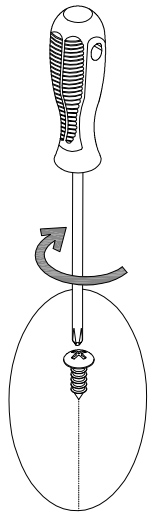
H23491 [ 4 ]  
#10 x 2"



Have an assembly question or need a replacement part? Just call  
**1-800-950-4782**, we are here to help.



H192100  [ 8 ]  
#8 x 1/2"

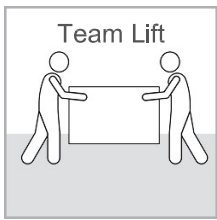


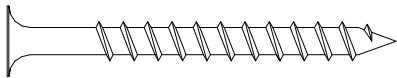
Have an assembly question or need a replacement part? Just call  
**1-800-950-4782**, we are here to help.

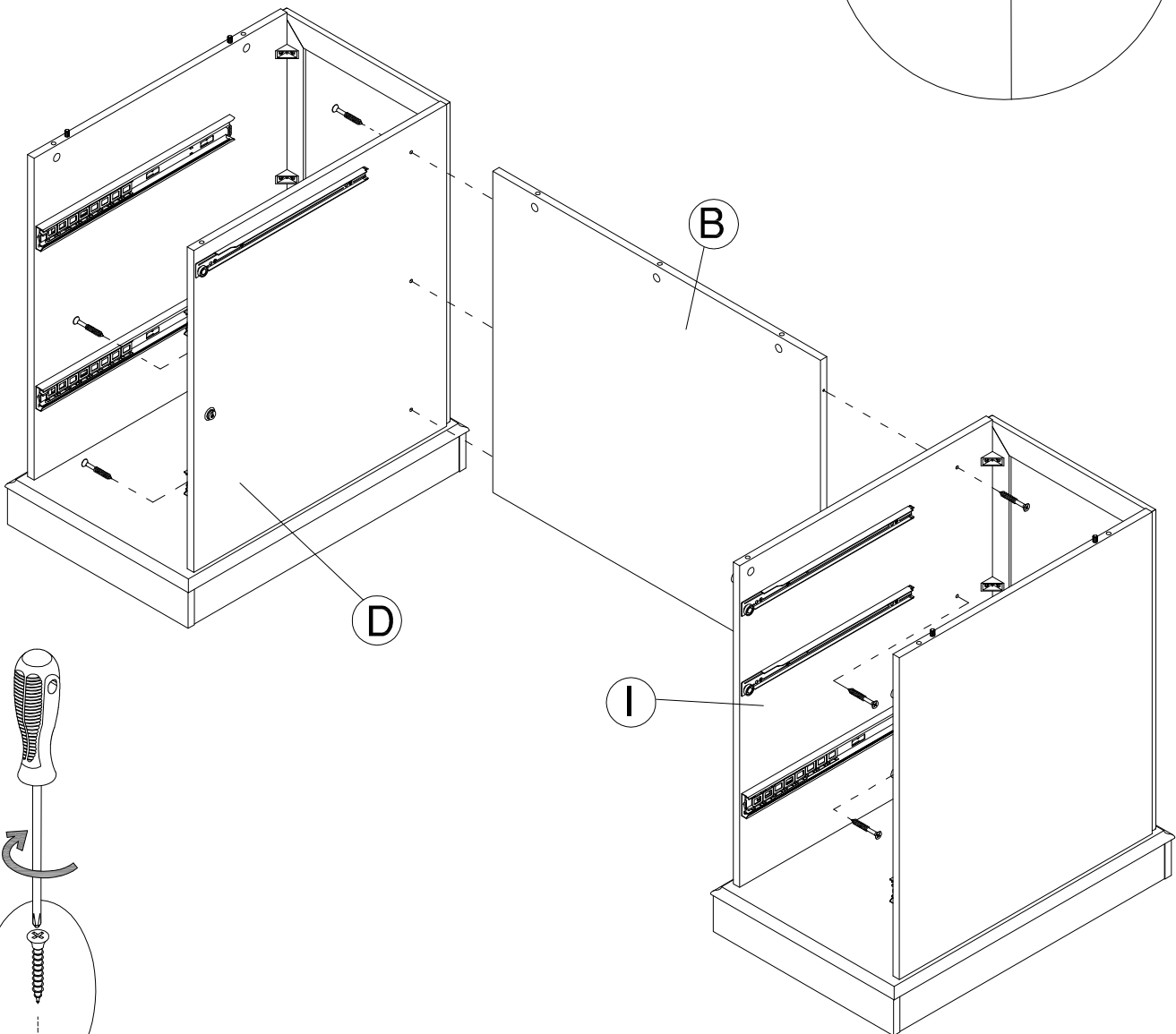
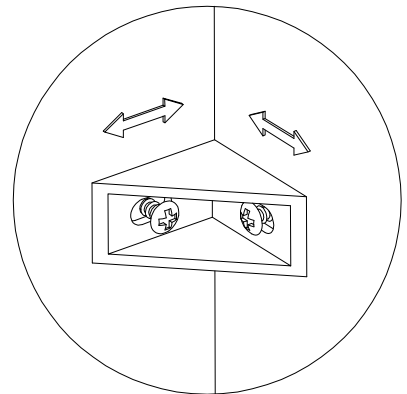
# STEP 30

# Assemble Panels

A208670A

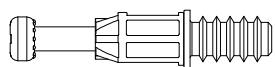


H23491  [ 6 ]  
#10 x 2"



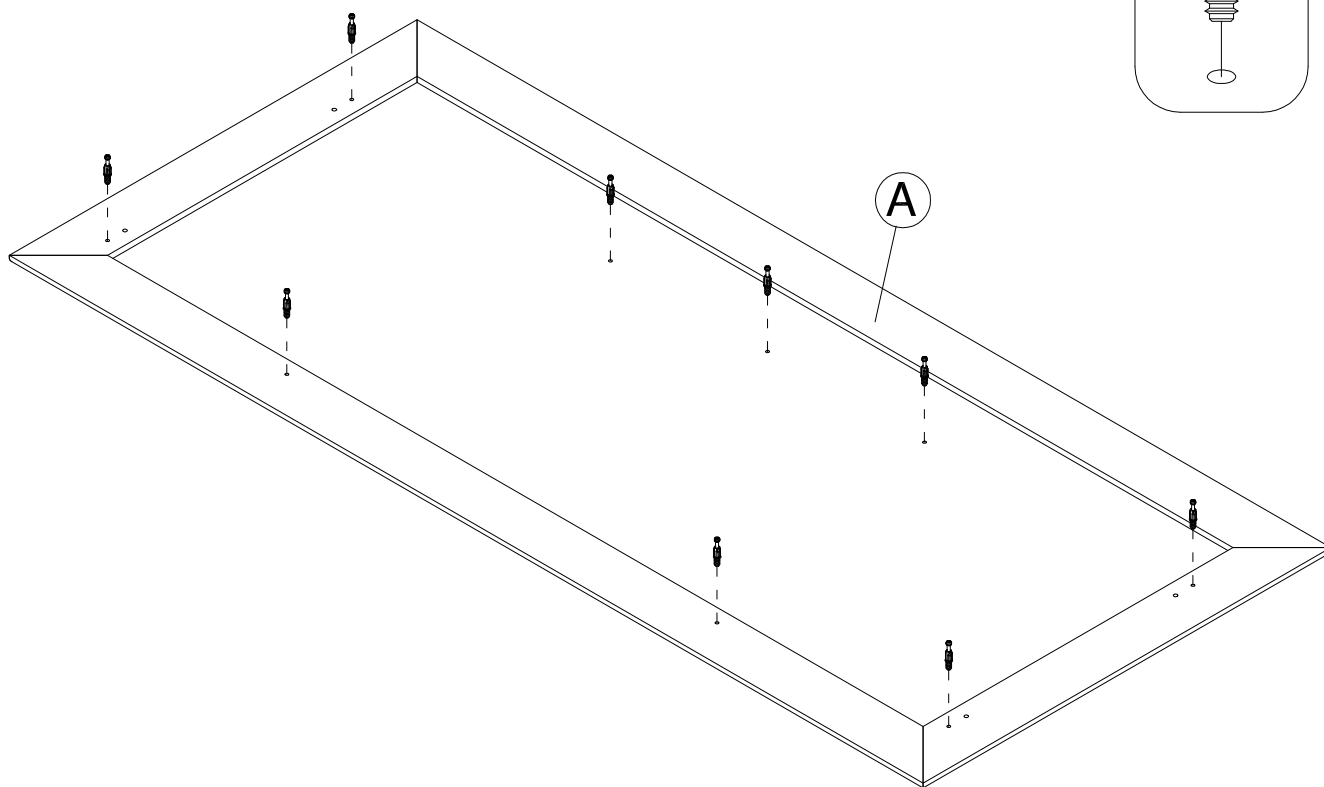
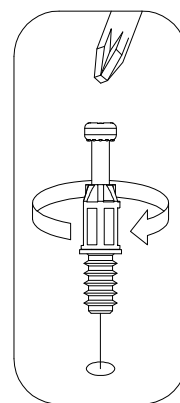
Have an assembly question or need a replacement part? Just call  
**1-800-950-4782**, we are here to help.

H72988



[ 9 ]

KD Bolt



Have an assembly question or need a replacement part? Just call  
**1-800-950-4782**, we are here to help.

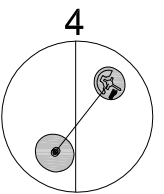
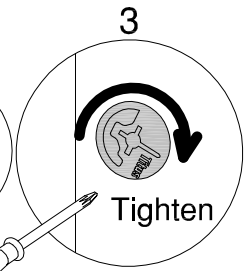
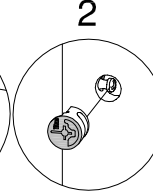
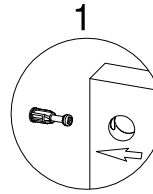
Scan QR Code to Watch Video on:



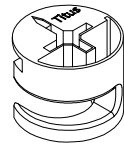
How to Tighten KD Cams



[ 3 ]

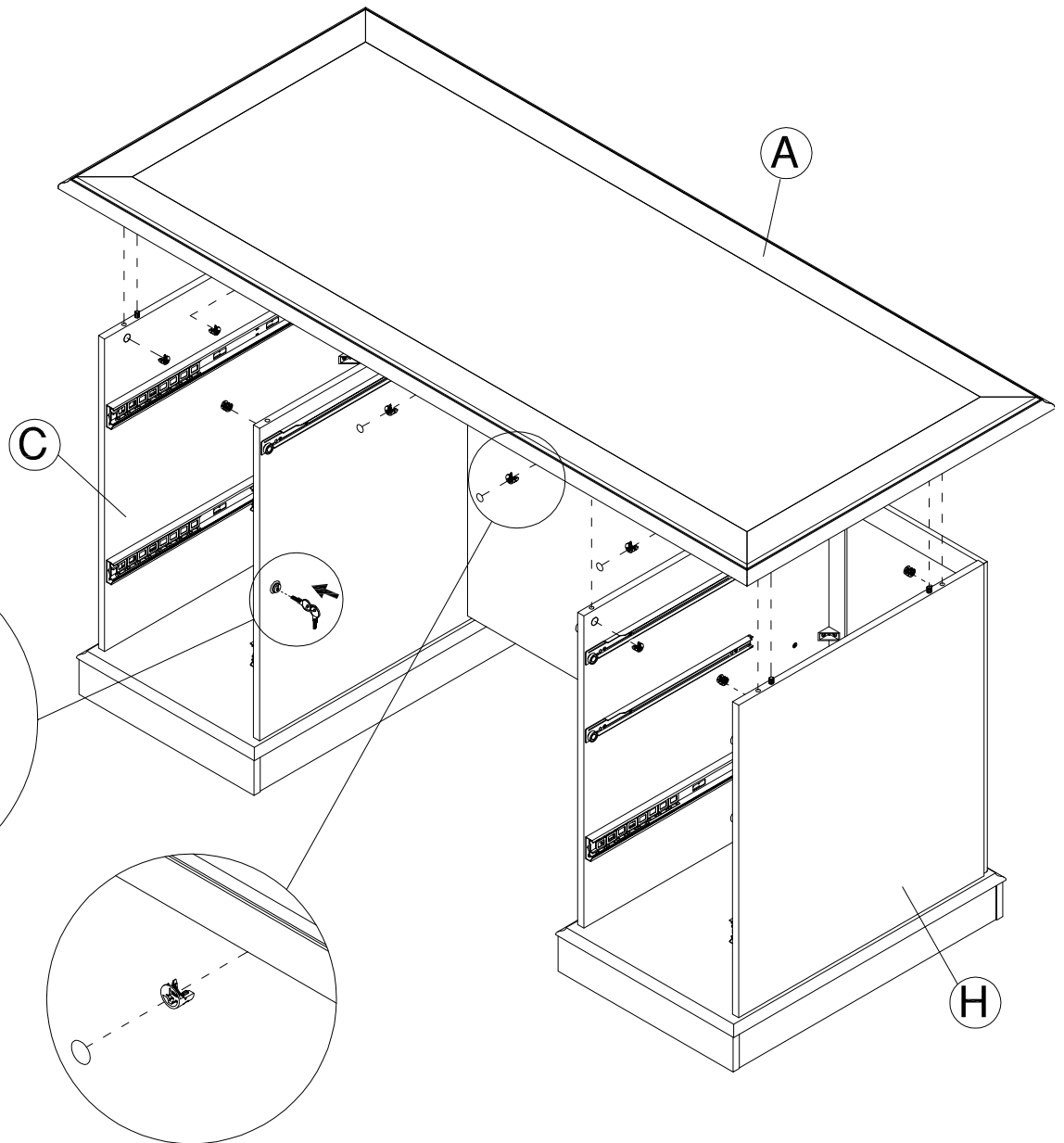


H181468



[ 9 ]

KD Cam



Have an assembly question or need a replacement part? Just call **1-800-950-4782**, we are here to help.



# STEP 33

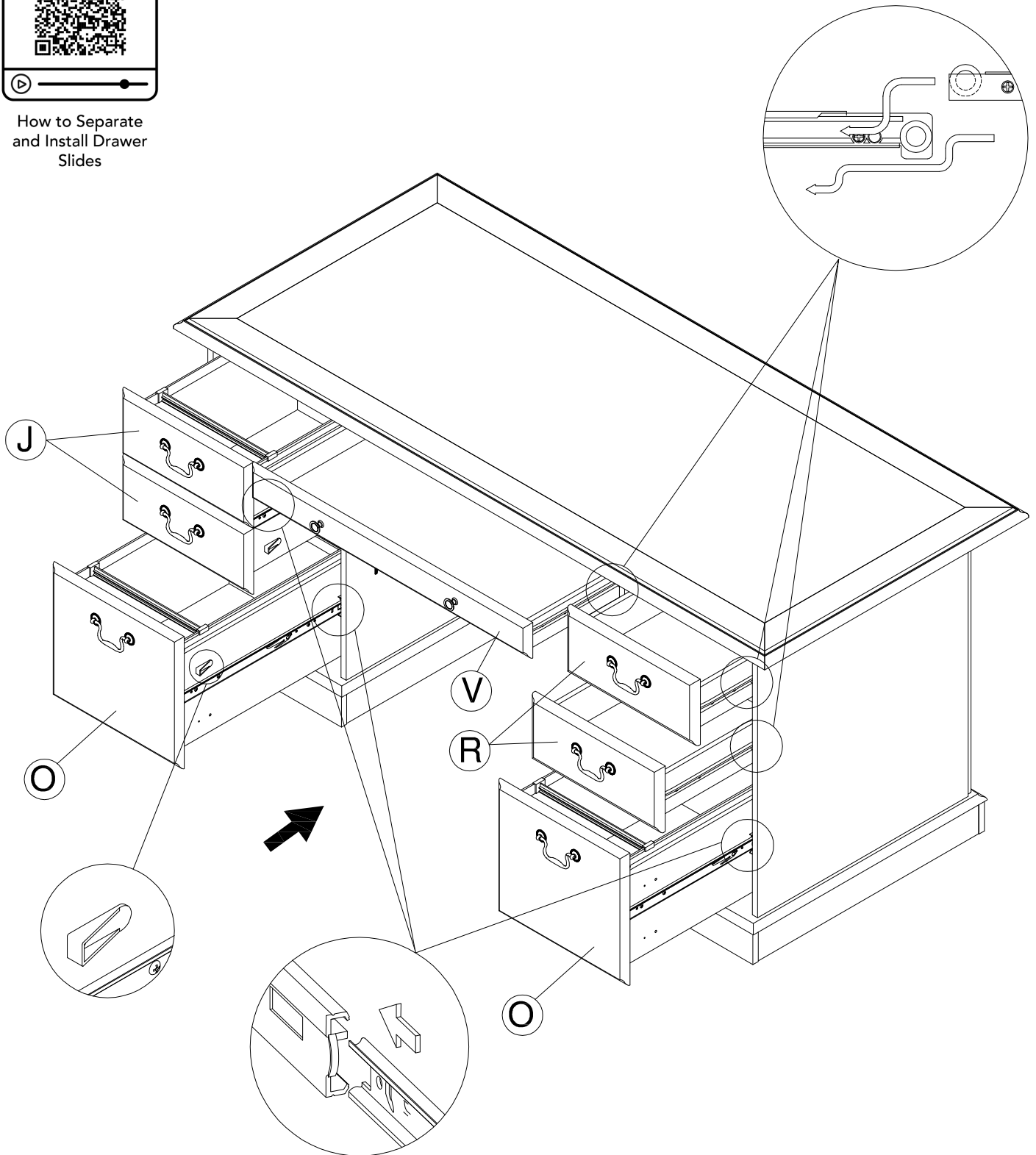
# Install Drawers

A208670A

Scan QR Code to  
Watch Video on:



How to Separate  
and Install Drawer  
Slides



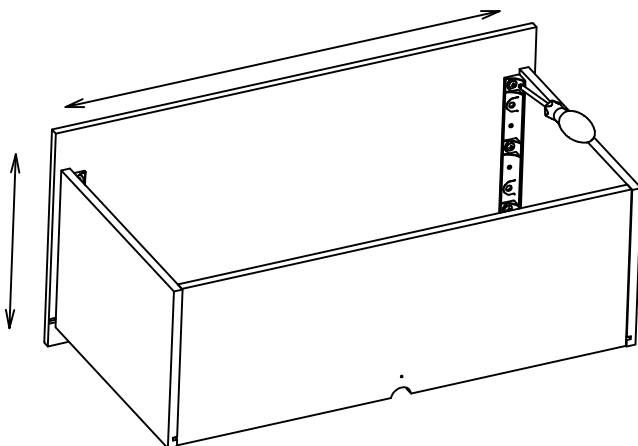
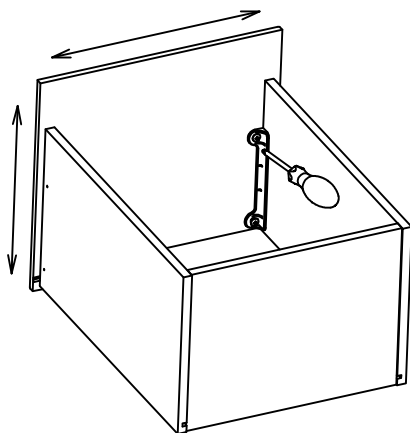
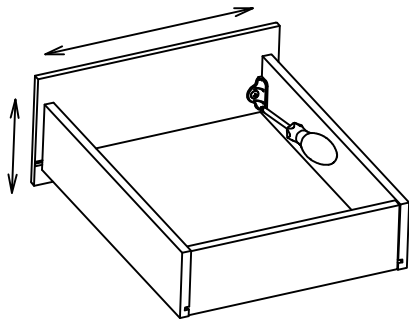
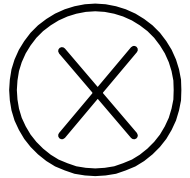
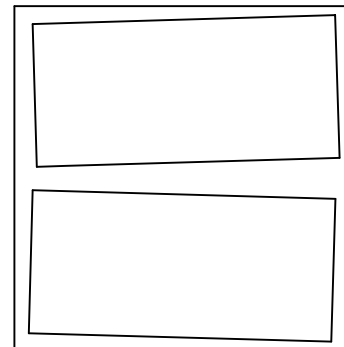
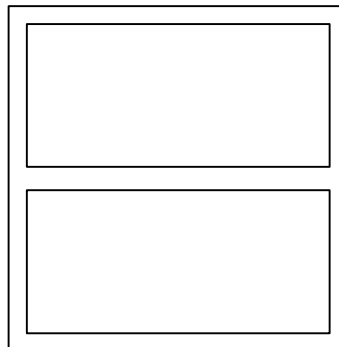
Have an assembly question or need a replacement part? Just call  
**1-800-950-4782**, we are here to help.

Scan QR Code to Watch Video on:



How to Adjust Drawer Fronts

**DRAWER FRONT VIEW**



**REQUIRED TOOL: PHILLIPS SCREWDRIVER**

HERRAMIENTA REQUERIDA: DESTORNILLADOR PHILLIPS  
 OUTIL REQUIS: TOURNEVIS CRUCIFORME



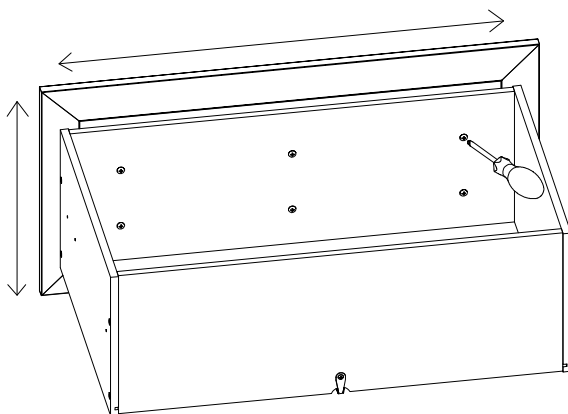
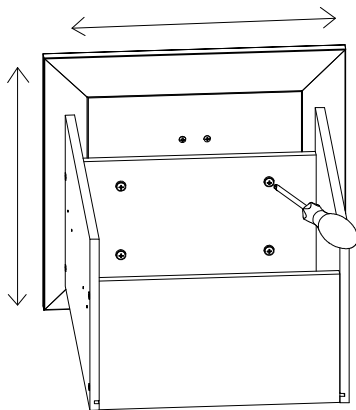
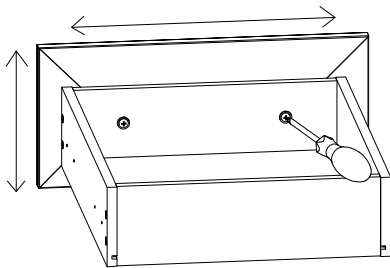
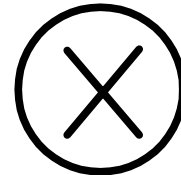
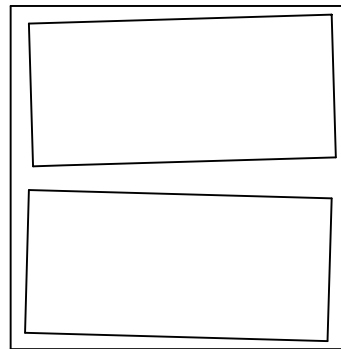
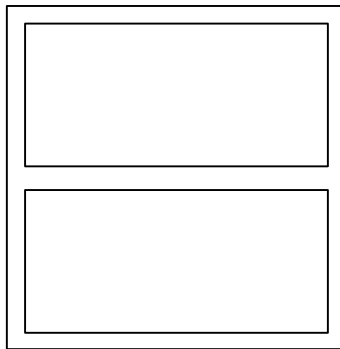
1. LOOSEN SCREWS.
2. ADJUST DRAWER FRONTS.
3. TIGHTEN SCREWS.

1. Afloje los tornillos
2. Ajustar frentes de cajón
3. Apriete los tornillos

1. Desserrer les vis
2. Ajuster les façades des tiroirs
3. Serrer les vis

Have an assembly question or need a replacement part? Just call **1-800-950-4782**, we are here to help.

DRAWER FRONT VIEW



REQUIRED TOOL: PHILLIPS SCREWDRIVER

HERRAMIENTA REQUERIDA: DESTORNILLADOR PHILLIPS  
 OUTIL REQUIS: TOURNEVIS CRUCIFORME



1. LOOSEN SCREWS.
2. ADJUST DRAWER FRONTS.
3. TIGHTEN SCREWS.

1. Afloje los tornillos
2. Ajustar frentes de cajón
3. Apriete los tornillos

1. Desserrer les vis
2. Ajuster les façades des tiroirs
3. Serrer les vis

Have an assembly question or need a replacement part? Just call  
**1-800-950-4782**, we are here to help.

Secure unit to the wall with a tip-over restraint.

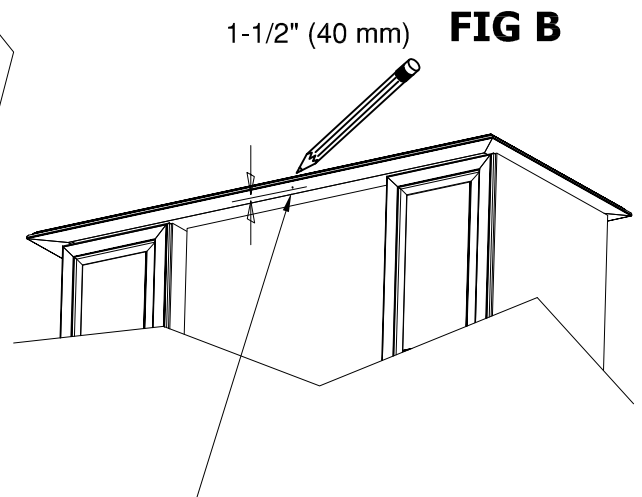
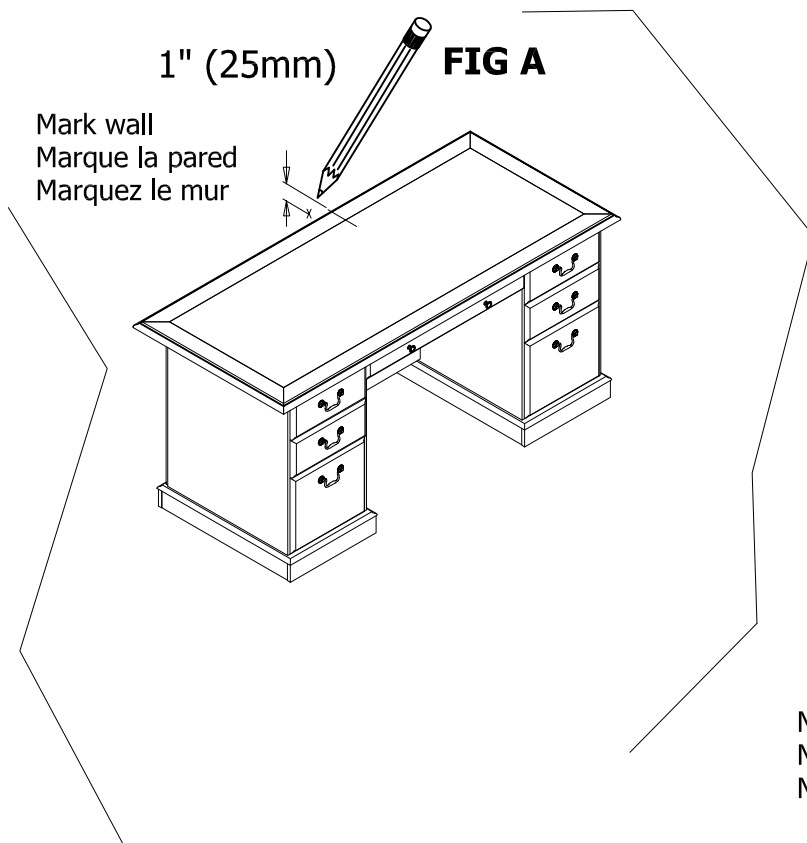
Unidad de seguro a la pared con un sistema de retención de un vuelco.

Fixer l'unité au mur avec un dispositif de retenue renversement.

1. Place unit in desired location.
2. Locate wall stud nearest unit center. **FIG A**
3. On wall, mark center of stud location 1" below top of unit. **FIG A**
4. If a wall stud cannot be located mark hollow wall at unit center. **FIG A**
5. On back of unit, mark corresponding location 1-1/2" below top of unit. **FIG B**

1. Coloque la unidad en el lugar deseado.
2. Localice pie derecho de pared centro de unidad más próxima.
3. En la pared del, marque el centro de la ubicación del montante 1 "abajo la parte superior de la unidad.
4. Si un poste de la pared no se puede localizar marcar pared hueca en el centro de la unidad.
5. En el dorso de la unidad, marque la ubicación 1-1/2 correspondiente abajo la parte superior de la unidad.

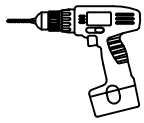
1. Placez l'unité à l'endroit désiré.
2. Localiser centre d'unité la plus proche de la paroi Stud.
3. Sur le mur, centre de emplacement du montant 1 "ci-dessous dessus de l'appareil de la marque.
4. Si un montant de mur ne peut pas être situé marquer mur creux au centre de l'unité.
5. Le dos de l'appareil, marquer l'emplacement 1-1/2 correspondant ci-dessous dessus de l'appareil.



Mark back within 6" (150mm) of center.  
 Marcar de vuelta dentro de 6" (150mm) de centro  
 Mark dans les 6" (150mm) de centre.

Have an assembly question or need a replacement part? Just call  
**1-800-950-4782**, we are here to help.

## WALL STUD ATTACHMENT

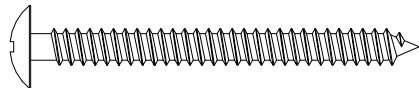


Drill 1/8" hole 2" deep at mark on wall.

Taladro 1/8 "agujero 2" de profundidad en la marca en la pared.

Percer 1/8 "trou de 2" de profondeur à la marque sur le mur.

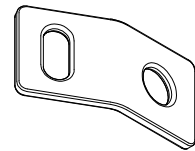
H181434



[ 1 ]

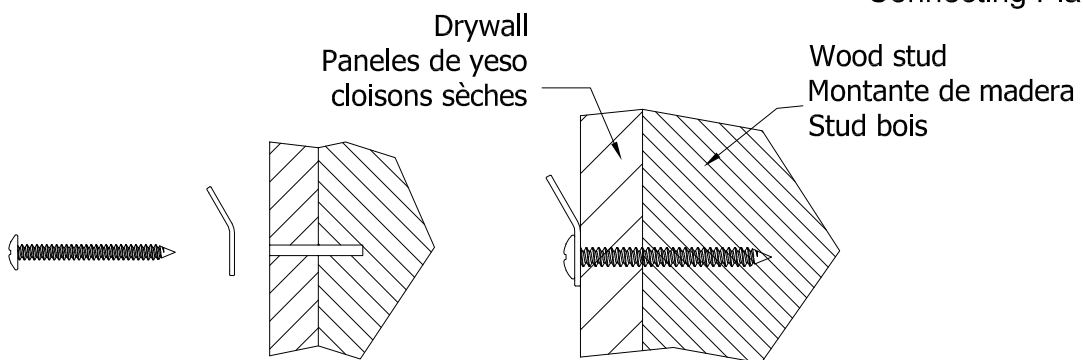
#10x2"

H181412

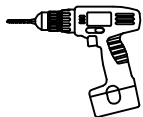


[ 1 ]

Connecting Plate



## HOLLOW WALL ATTACHMENT

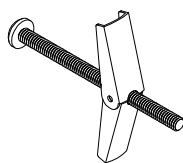


Drill 1/2" hole 1" deep at mark on wall.

Taladro 1/2 "agujero 1" de profundidad en la marca en la pared.

Percer 1/2 "trou de 1" de profondeur à la marque sur le mur.

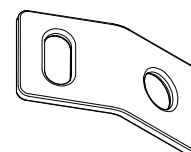
H181419



[ 1 ]

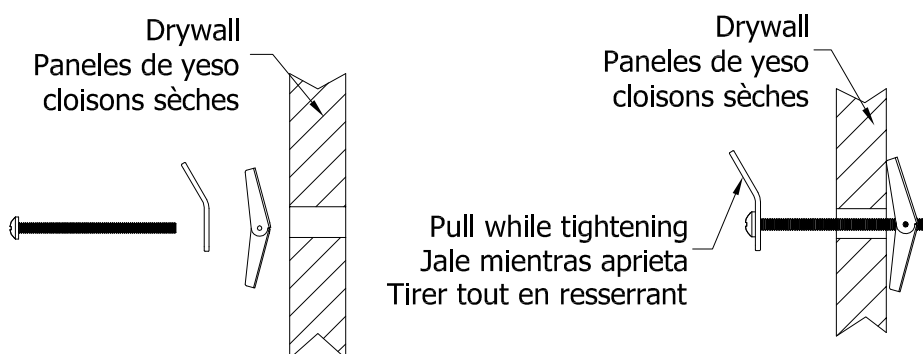
Toggle Bolt

H181412



[ 1 ]

Connecting Plate



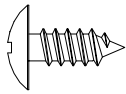
Have an assembly question or need a replacement part? Just call  
**1-800-950-4782**, we are here to help.

# STEP 38

# Wall Attachment

A208670A

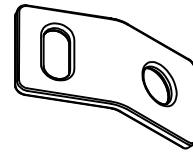
H35251



[ 1 ]

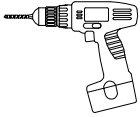
#10 x 1/2"

H181412



[ 1 ]

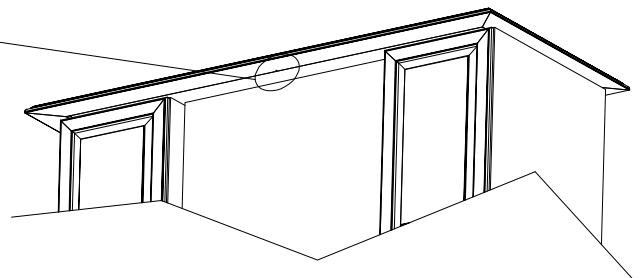
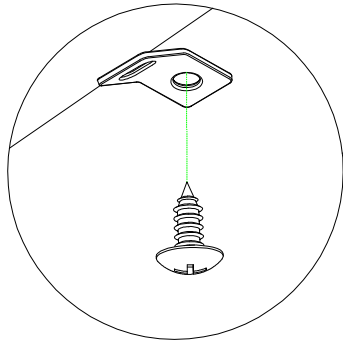
Connecting Plate



Drill 1/8" hole 1-1/4" deep at mark on unit.

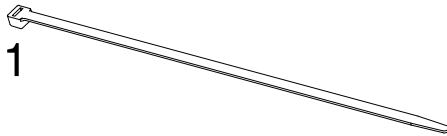
Taladro 1/8 "agujero de 1-1/4" de profundidad en la marca de la unidad.

Percer 1/8 "trou 1-1/4" de profondeur à la marque sur l'unité.

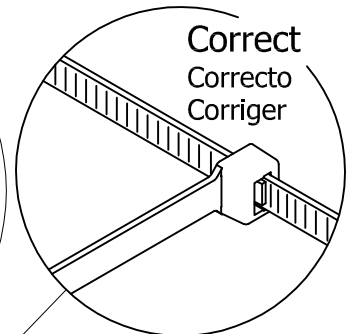
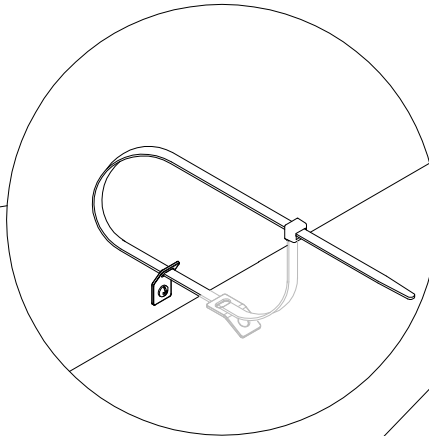
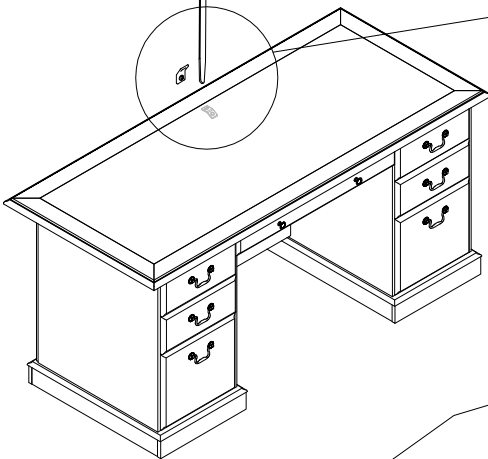


H181411

[ 1 ]



Nylon Cable Tie



Correct  
Correcto  
Corriger

Pull to verify lock

Tire para verificar cerradura

Tirez pour vérifier serrure

Use replacement cable tie with minimum breaking strength of 120lbs.

Utilice reemplazo empate Cable con resistencia a la rotura mínima de 120 libras.

Utilisez remplacement Attache de câble avec une force de rupture minimale de 120 lbs.

Have an assembly question or need a replacement part? Just call

**1-800-950-4782**, we are here to help.

Scan QR Code to Watch Video on:

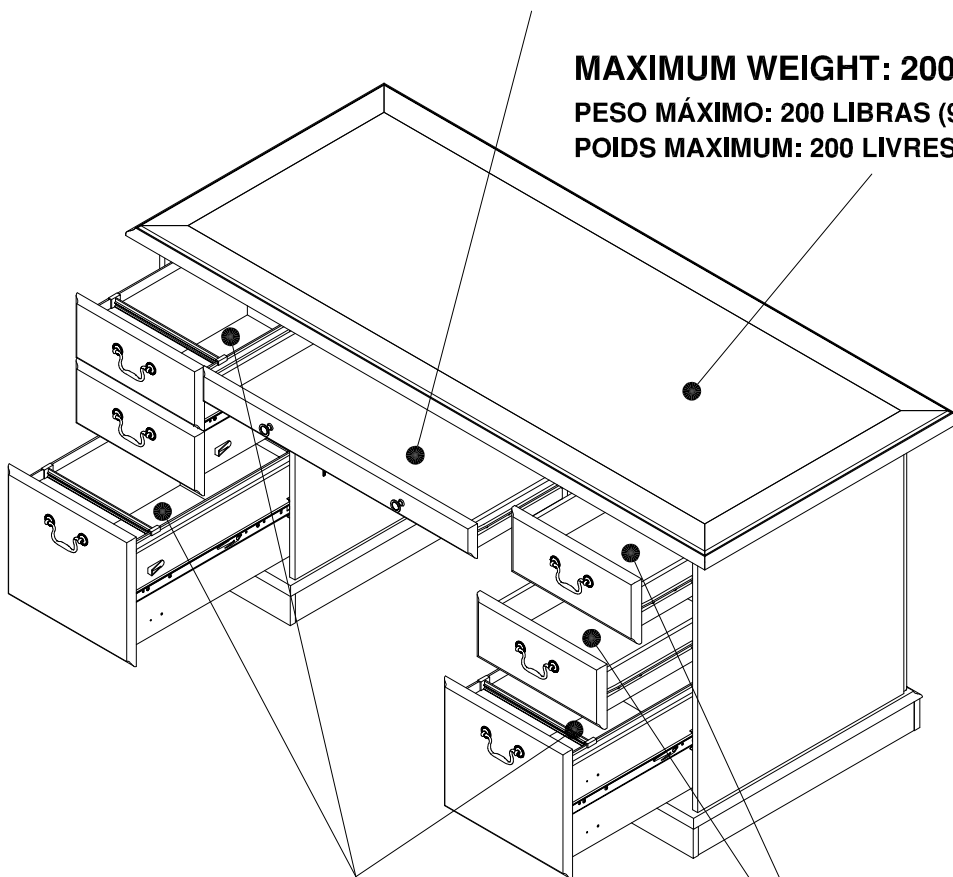


How to Clean the Surface

Gently clean surfaces with a damp sponge eraser.

**MAXIMUM WEIGHT: 15 LBS (8.8 KG)**  
**PESO MÁXIMO: 15 LIBRAS (8.8 KILOGRAMO)**  
**POIDS MAXIMUM: 15 LIVRES (8.8 KILOGRAMME)**

**MAXIMUM WEIGHT: 200 LBS (90.72 KG)**  
**PESO MÁXIMO: 200 LIBRAS (90.72 KILOGRAMO)**  
**POIDS MAXIMUM: 200 LIVRES (90.72 KILOGRAMME)**



**MAXIMUM WEIGHT: 30 LBS (13.61 KG)**  
**PESO MÁXIMO: 30 LIBRAS (13.61 KILOGRAMO)**  
**POIDS MAXIMUM: 30 LIVRES (13.61 KILOGRAMME)**

**MAXIMUM WEIGHT: 15 LBS (8.8 KG)**  
**PESO MÁXIMO: 15 LIBRAS (8.8 KILOGRAMO)**  
**POIDS MAXIMUM: 15 LIVRES (8.8 KILOGRAMME)**

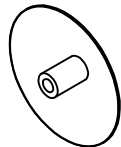
**Congratulations! You are all done. If you have any questions or concerns, please call.**

Have an assembly question or need a replacement part? Just call **1-800-950-4782**, we are here to help.

## EX45666

A [1]	S153406	L [1]	W153415	V [1]	W208676
B [1]	W153407	M [3]	W153455	W [2]	W153418
C [1]	W153408	N [1]	W153416	X [1]	W153419
D [1]	W174801	O [2]	W208674	Y [1]	W153420
E [2]	W153410	P [4]	W153458	Z [2]	S153421
F [4]	W153411	Q [2]	W153459	AA [2]	W153422
G [4]	W208785	R [2]	W208675		
H [1]	W153412	S [4]	W153461		
I [1]	W153413	T [2]	W153462		
J [2]	W153414	U [2]	W153463		

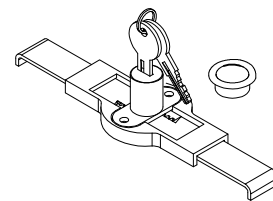
H158961



Cover Cap

[ 3 ]

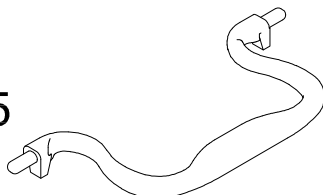
H174805



Lock+lock ring

[ 1 ]

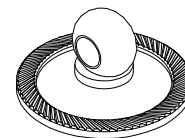
H150085



Bail Pull

[ 6 ]

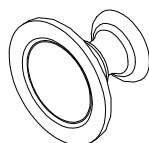
H150086



Rosette

[ 12 ]

H150092



Knob

[ 2 ]

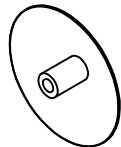
Have an assembly question or need a replacement part? Just call  
**1-800-950-4782**, we are here to help.



## EX45766

A [1]	S198843	L [1]	W198853	V [1]	W208679
B [1]	W198844	M [3]	W198907	W [2]	W198864
C [1]	W198845	N [1]	W198855	X [1]	W198865
D [1]	W198846	O [2]	W208677	Y [1]	W198866
E [2]	W198847	P [4]	W198910	Z [2]	S198867
F [4]	W198848	Q [2]	W198911	AA [2]	W198868
G [4]	W208786	R [2]	W208678		
H [1]	W198850	S [4]	W198913		
I [1]	W198851	T [2]	W198914		
J [2]	W198852	U [2]	W198915		

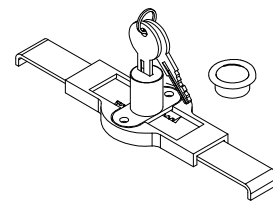
H200203



Cover Cap

[ 3 ]

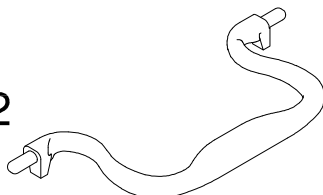
H174807



Lock+lock ring

[ 1 ]

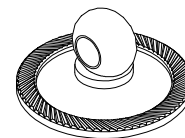
H200222



Bail Pull

[ 6 ]

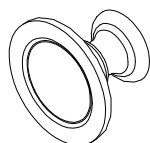
H200223



Rosette

[ 12 ]

H200224



Knob

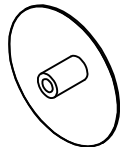
[ 2 ]

Have an assembly question or need a replacement part? Just call  
**1-800-950-4782**, we are here to help.

## EX45866

A [1] S198869	L [1] W198879	V [1] W208682
B [1] W198870	M [3] W198936	W [2] W198890
C [1] W198871	N [1] W198881	X [1] W198891
D [1] W198872	O [2] W208680	Y [1] W198892
E [2] W198873	P [4] W198939	Z [2] S198893
F [4] W198874	Q [2] W198940	AA [2] W198894
G [4] W208787	R [2] W208681	
H [1] W198876	S [4] W198942	
I [1] W198877	T [2] W198943	
J [2] W198878	U [2] W198944	

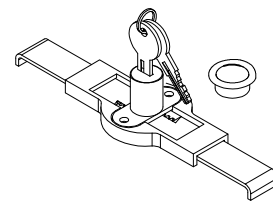
H194048



Cover Cap

[ 3 ]

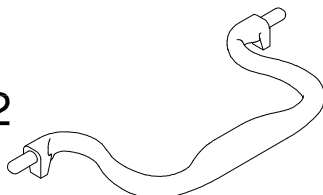
H174807



Lock+lock ring

[ 1 ]

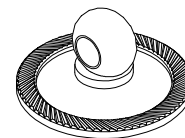
H200222



Bail Pull

[ 6 ]

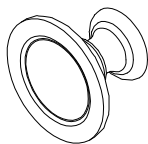
H200223



Rosette

[ 12 ]

H200224



Knob

[ 2 ]

Have an assembly question or need a replacement part? Just call  
**1-800-950-4782**, we are here to help.

**THIS PAGE INTENTIONALLY LEFT BLANK**

# WARRANTY INFORMATION/INFORMATIONS POUR LA GARANTIE/INFORMACIÓN DE GARANTÍA

## BUSH FURNITURE'S WRITTEN WARRANTY TO YOU

In order to provide you with timely assistance, please thoroughly inspect your furniture for missing or defective parts immediately after opening the carton. To receive replacement or missing parts under this warranty, call our Consumer Service Department TOLL-FREE at 1-800-950-4782. Please have the Model, Part, and Lot Numbers found in the instruction manual available for your reference. You will also need your sales receipt or other proof of purchase. Replacement part(s) will be shipped to you at no charge with Bush Industries assuming all shipping and handling charges.

This Bush Furniture product is warranted to the original purchaser at the time of purchase and for a period of ten years thereafter.

We warrant to you, the original purchaser, that our furniture and all its parts and components are free of defects in material or workmanship. "Defects," as used in this warranty, is defined as any imperfection which impairs the use of the furniture product.

Our warranty is expressly limited to the replacement of furniture parts and components. For ten years after the date of purchase, Bush will replace any parts that are defective in material or workmanship.

This warranty applies under conditions of normal use. Our Bush Furniture products are not intended for outdoor use. This warranty does not cover: 1) defects caused by improper assembly or disassembly; 2) defects occurring after purchase due to product modification, intentional damage, accident, misuse, abuse, negligence or exposure to the elements; and 3) labor or assembly costs. 4) Batteries are not included.

IMPLIED WARRANTIES, INCLUDING THE WARRANTY OF MERCHANTABILITY, SHALL NOT EXTEND BEYOND THE DURATION OF THE WRITTEN WARRANTY STATED ABOVE, AND IN NO EVENT SHALL BUSH BE LIABLE FOR INCIDENTAL OR CONSEQUENTIAL DAMAGES RESULTING FROM USE OF THE PRODUCT. Some states do not allow a limitation on how long an implied warranty lasts or the exclusion or limitation of incidental or consequential damages, so the above limitation and exclusion may not apply to you.

This warranty gives you specific legal rights. You may also have other rights that may vary from state to state.

## VOTRE GARANTIE BUSH FURNITURE

Afin de vous assister rapidement, veuillez inspecter votre mobilier en détail immédiatement après l'ouverture du carton en cas de pièces manquantes ou défectueuses. Pour recevoir une pièce de rechange ou manquante couverte par cette garantie, appelez notre département de service clientèle GRATUITEMENT au 1-800-950-4782. Veuillez tenir à disposition les numéros de modèle, de pièce et de lot qui se trouvent dans le manuel d'instruction pour votre référence. Vous aurez également besoin de votre reçu ou d'une autre preuve d'achat. La (les) pièce(s) de rechange vous sera (seront) envoyée(s) sans frais, Bush Industries se chargeant de tous les frais d'expédition.

Tout le produit Bush Furniture est garanti à l'acheteur original à partir de la date d'achat pour une période d'e dix ans.

Nous vous garantissons, à vous l'acheteur original, que notre mobilier et toutes ses pièces et composants sont sans défaut de matériau ou de fabrication. Le terme "défauts" utilisé dans cette garantie, est défini comme étant toutes les imperfections qui compromettent l'utilisation du meuble.

Notre garantie est expressément limitée au remplacement des pièces et des composants du mobilier. Pendant dix ans après la date d'achat, Bush remplacera toute pièce défectueuse dans le matériau ou sa fabrication.

Cette garantie d'applique sous des conditions d'utilisation normale. Nos produits ne sont pas destinés à être utilisés en plein air. Cette garantie ne couvre pas: 1) les défauts causés par un mauvais assemblage ou démontage, 2) les défauts ayant lieu après l'achat et dus à la modification du produit, des dommages intentionnels, des accidents, une mauvaise utilisation, un mauvais traitement, la négligence ou l'exposition aux éléments, et 3) les frais de main d'œuvre ou d'assemblage. 4) les piles ne sont pas incluses.

LES GARANTIES TACITES, Y COMPRIS LA GARANTIE DE QUALITE MARCHANDE, NE S'ETENDRONT PAS AU-DELA DE LA DUREE ECRITE CITEE CI-DESSUS, ET BUSH NE SERA EN AUCUN CAS RESPONSABLE DES DOMMAGES ACCESSOIRES OU INDIRECTS RESULTANT DE L'UTILISATION DU PRODUIT. Certains états ne permettent pas d'appliquer une limite à la durée de la garantie tacite, ni une exclusion ou limitation des dommages accessoires ou indirects; dans ce cas les limitations ou exclusion ci-dessus peuvent ne pas s'appliquer à vous.

Cette garantie vous donne des droits légaux spécifiques. Il se peut que vous ayez également d'autres droits qui peuvent varier d'un état à l'autre.

## GARANTIA ESCRITA DE BUSH FURNITURE PARA USTED

Para brindarle asistencia oportuna, por favor, verifique detalladamente que a su mueble no le falte o tenga piezas defectuosas inmediatamente después de abrir la caja. Para recibir un reemplazo o la parte faltante bajo esta garantía, llame a nuestro Departamento de Servicio al Consumidor GRATIS al 1-800-950-4782. Sírvase traer los números de modelo, parte y lote que se encuentran en el manual de instrucciones disponible para su referencia. Además, necesitará el recibo de su compra u otra prueba de compra. La(s) pieza(s) de reemplazo le será(n) enviada(s) sin recargo por Bush Industries asumiendo los gastos de envío y manipuleo.

Todo mueble de Bush Furniture es garantizado al comprador original al momento de la compra y por un periodo de diez años en adelante.

Le garantizamos a usted, el comprador original, que nuestros muebles sus partes y componentes están libres de defectos en materiales o trabajo. "Defectos", según se usa en esta garantía, se define como una imperfección que perjudica el uso del producto mobiliario.

Nuestra garantía se limita expresamente al reemplazo de partes y componentes mobiliarios. Durante diez años después de la fecha de compra, Bush reemplazará cualquier parte defectuosa en material o trabajo.

Esta garantía se aplica bajo condiciones de uso normal. Nuestros productos de Bush Furniture no son para uso en exteriores. Esta garantía no cubre: 1) defectos causados por un ensamblaje o desensamblaje inadecuado; 2) defectos que ocurran después de la compra debido a modificación del producto, daño intencional, accidente, mal uso, abuso, negligencia o exposición a los elementos; y 3) costos de trabajo o ensamblaje. 4) Las baterías no están incluidas.

LAS GARANTÍAS IMPLICADAS, INCLUYENDO LA GARANTÍA DE COMERCIABILIDAD, NO SE EXTENDERÁN MÁS ALLÁ DE LA DURACIÓN DE LA GARANTÍA ESCRITA MENCIONADA, Y EN NINGÚN CASO BUSH SERÁ RESPONSABLE POR DAÑOS INCIDENTALES O CONSIGUIENTES COMO RESULTADO DEL USO DEL PRODUCTO. Algunos estados no permiten una limitación sobre el tiempo de duración de la garantía implicada o la exclusión o limitación de daños incidentales o consiguientes, de manera que la limitación y exclusión mencionadas pueden no aplicarse para usted.

Esta garantía le otorga derechos legales específicos. Puede también tener otros derechos que pueden variar según los estados.

**10-Year**  
Manufacturer's  
Warranty

### Register your product online:

Scan the QR Code or go to  
[https://bushfurniture.com/  
activate-warranty/](https://bushfurniture.com/activate-warranty/)



### Assembly tips & how to videos:

Scan the QR Code to access our video  
guides [https://bushfurniture.com/  
help-faq/#assembling](https://bushfurniture.com/help-faq/#assembling)

