

# Assembly Instructions

## Wall Cabinet 2 Door



**Please provide the following information when contacting for parts or questions: the name of the company you purchased from, the tracking number of the original package, and the original order date.**

### **ASSEMBLY INSTRUCTIONS - IMPORTANT**

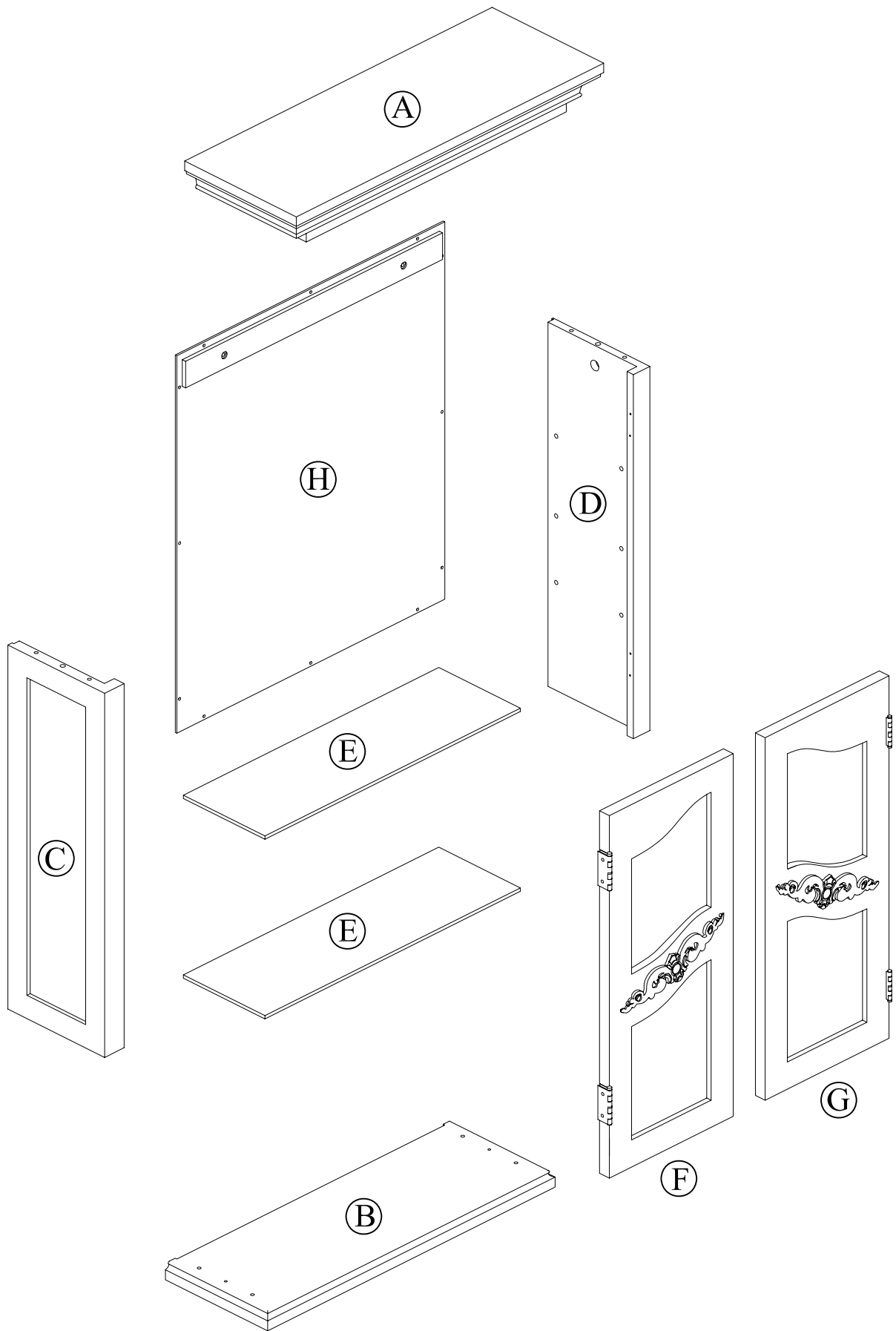
Carefully unpack & identify each component before attempting to assemble. Refer to parts list. Please take care when assembling the unit and always set the parts on a clean, soft surface. If you require any assistance with assembly, parts, please call the company you place order with or please email to: [service@eleganthf.net](mailto:service@eleganthf.net).

### **INSTRUCCIONES PARA ARMAR - IMPORTANTE :**

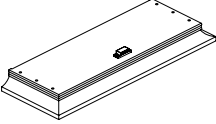
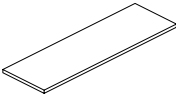
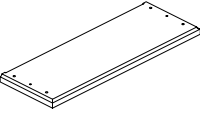
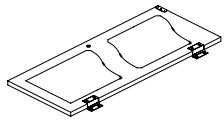
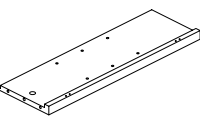
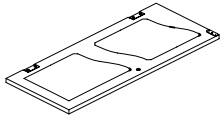
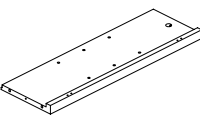
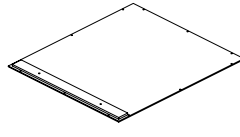
Desempaque cuidadosamente e identifique cada componente antes de tratar de empezar su ensambladura. Verifique la lista de partes. Por favor tenga cuidado cuando arme la unidad y siempre coloque las piezas sobre una superficie plana, suave y limpia. Si necesita ayuda con el armado, envíe un correo electrónico a [service@eleganthf.net](mailto:service@eleganthf.net).

### **DIRECTIVES DE MONTAGE-IMPORTANT:**


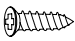

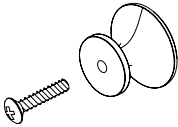



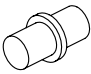
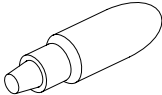
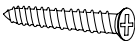
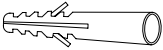
Avant de commencer l'assemblage, déballez délicatement toutes les pièces et repérez-les sur la liste des pièces. Procédez avec soins durant l'assemblage et posez toujours les pièces sur une surface propre, douce et lisse. Si vous plait e-mail à [service@eleganthf.net](mailto:service@eleganthf.net).



# COMPONENTS

PART	FIGURE	DESCRIPTION	QTY	PART	FIGURE	DESCRIPTION	QTY
A		TOP SHELF	1PC	E		ADJUSTABLE SHELF	2PCS
B		BOTTOM SHELF	1PC	F		LEFT DOOR	1PC
C		SIDE PANEL-LEFT	1PC	G		RIGHT DOOR	1PC
D		SIDE PANEL-RIGHT	1PC	H		REAR PANEL	1PC

# HARDWARE & TOOLS

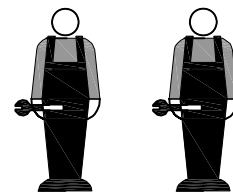
PART	FIGURE	DESCRIPTION	QTY	PART	FIGURE	DESCRIPTION	QTY
1		WOODEN DOWEL	8PCS	6	 Ø3*12 mm	SCREW	8PCS
2		PIN	2PCS	7		KNOB & BOLT	2SETS
3		CAM LOCK	2PCS	8	 Ø3*12 mm	SCREW	12PCS
4		CAM LOCK CAP	2PCS	9		SHELF PIN	8PCS
5		GLUE	1PC	10	 Ø5*50mm	SCREW	4PCS
				11		ANCHOR	2PCS

## TOOL NEEDED:

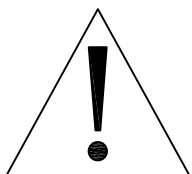


**PHILIPS SCREWDRIVER REQUIRED  
- NOT INCLUDED**

## SUGGESTION:



**TWO PEOPLE FOR ASSEMBLING**



## WARNINGS:

1. DO NOT LET ANY SHARP OBJECTS TOUCH OR RUB THE SURFACE OF THE PRODUCT.
2. WHEN ASSEMBLING, DO NOT LET CHILDREN PLAY AROUND THE WORKING AREA.
3. PLEASE CONFIRM ALL PARTS ARE CORRECT BEFORE STARTING THE ASSEMBLY PROCESS.
4. DO NOT TIGHTEN ALL BOLTS AND SCREWS COMPLETELY UNTIL THE ENTIRE UNIT HAS BEEN ASSEMBLED AND SET UP.

# 1

1



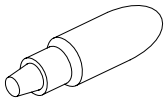
8pcs

2

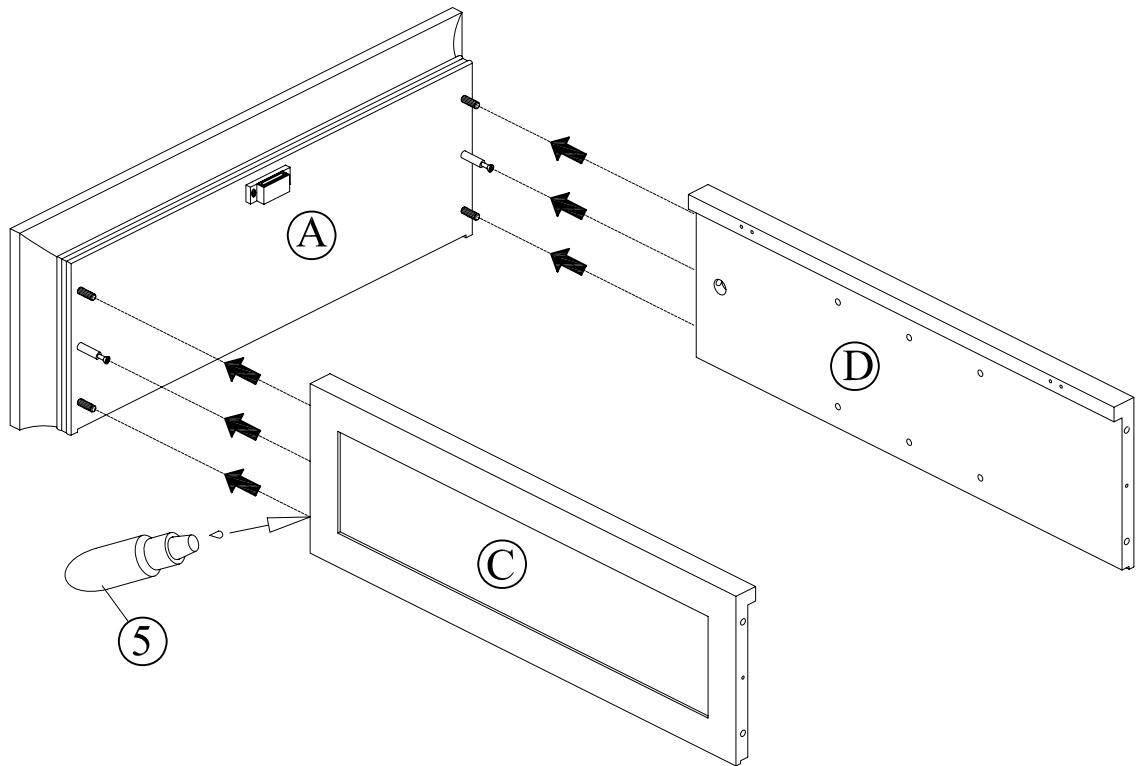
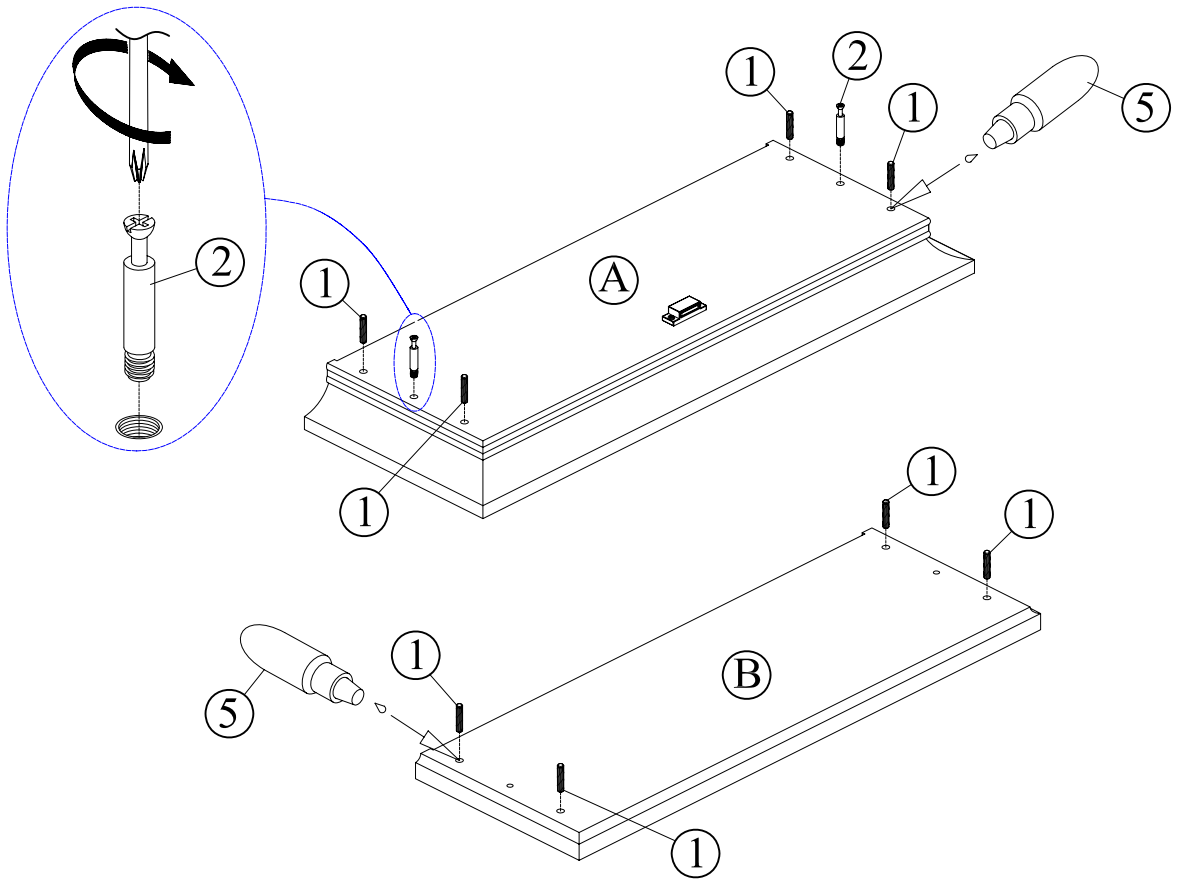


2pcs

5



1pc



### STEP 1:

1. Fill dowel hole half way with Glue #5.  
Wooden Dowel #1 may push out excess glue-wipe off excess glue.
2. Insert the Wooden Dowel #1 and the Pin #2 into the hole on the Top Shelf A.
3. Insert the Wooden Dowel #1 into the hole on the Bottom Shelf B.
4. Connect the Side Panel-Left C and the Side Panel-Right D to the Top Shelf A with the Wooden Dowel #1 and the Pin #2.

# 2

3



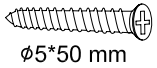
2pcs

4

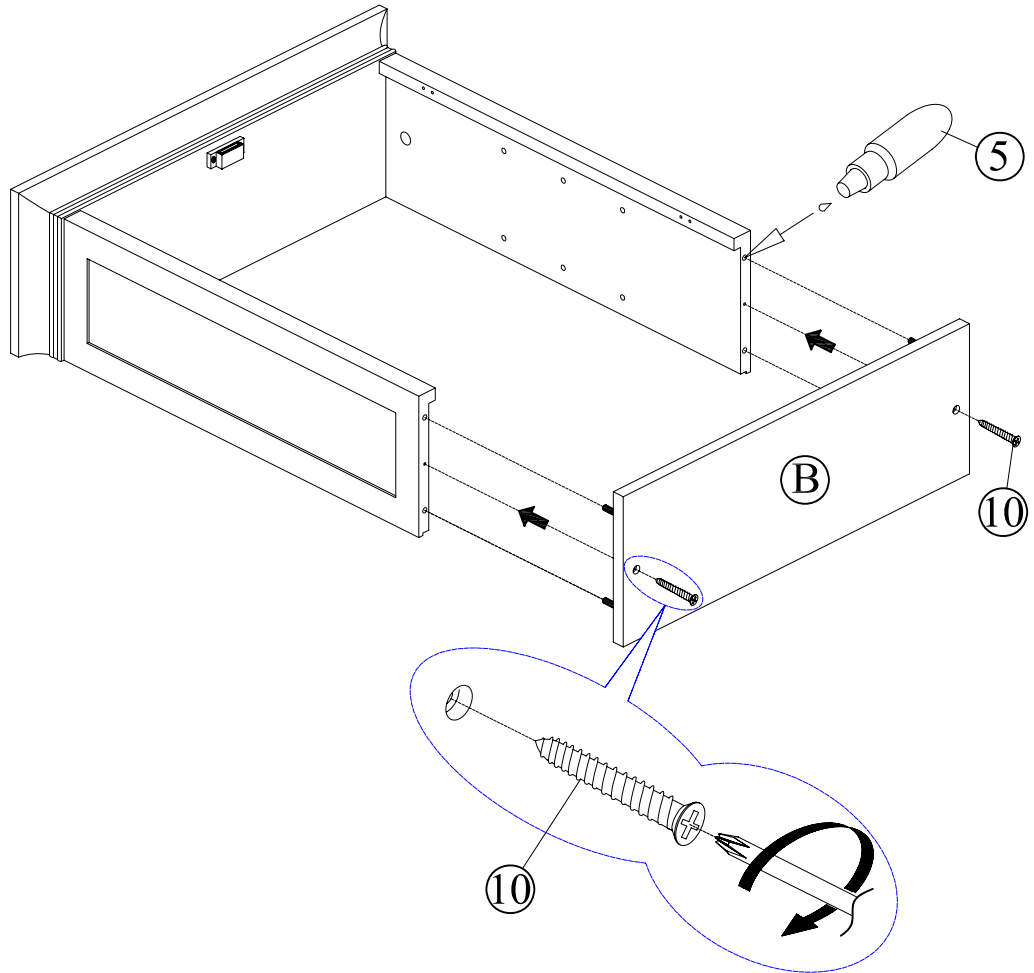
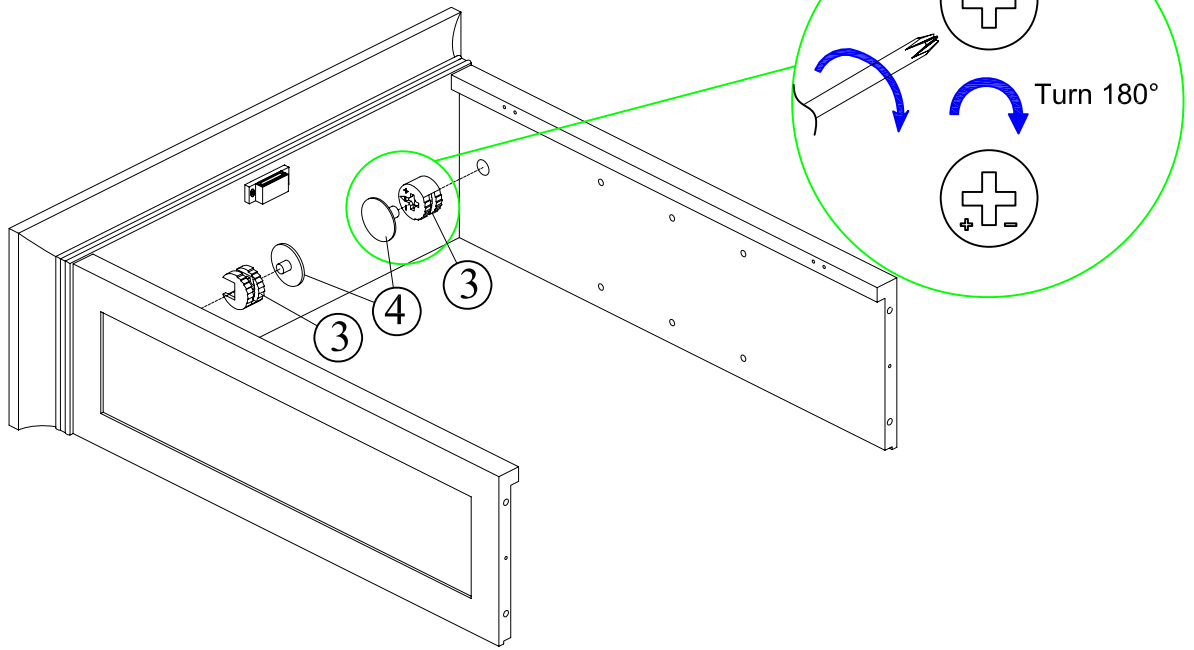


2pcs

10



2pcs

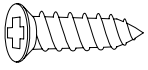


### STEP 2:

1. Insert the Cam Lock #3 into the hole on the Side Panel-Left C and the Side Panel-Right D, Tighten the Cam Lock #3 to the Pin #2, insert the Cam Lock Cap #4 when finish.
2. Fill dowel hole half way with Glue #5.  
Wooden Dowel #1 may push out excess glue-wipe off excess glue.
3. Connect the Bottom Shelf B and the Side Panel-Left C & the Side Panel-Right D with the Wooden Dowel #1, then Insert the Screw #10 into the hole on the Side Panel-Left C and the Side Panel-Right D, and pass through the hole on the the Bottom Shelf B, then tighten the Screw #10.

# 3

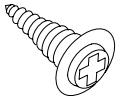
6



Ø3\*12 mm

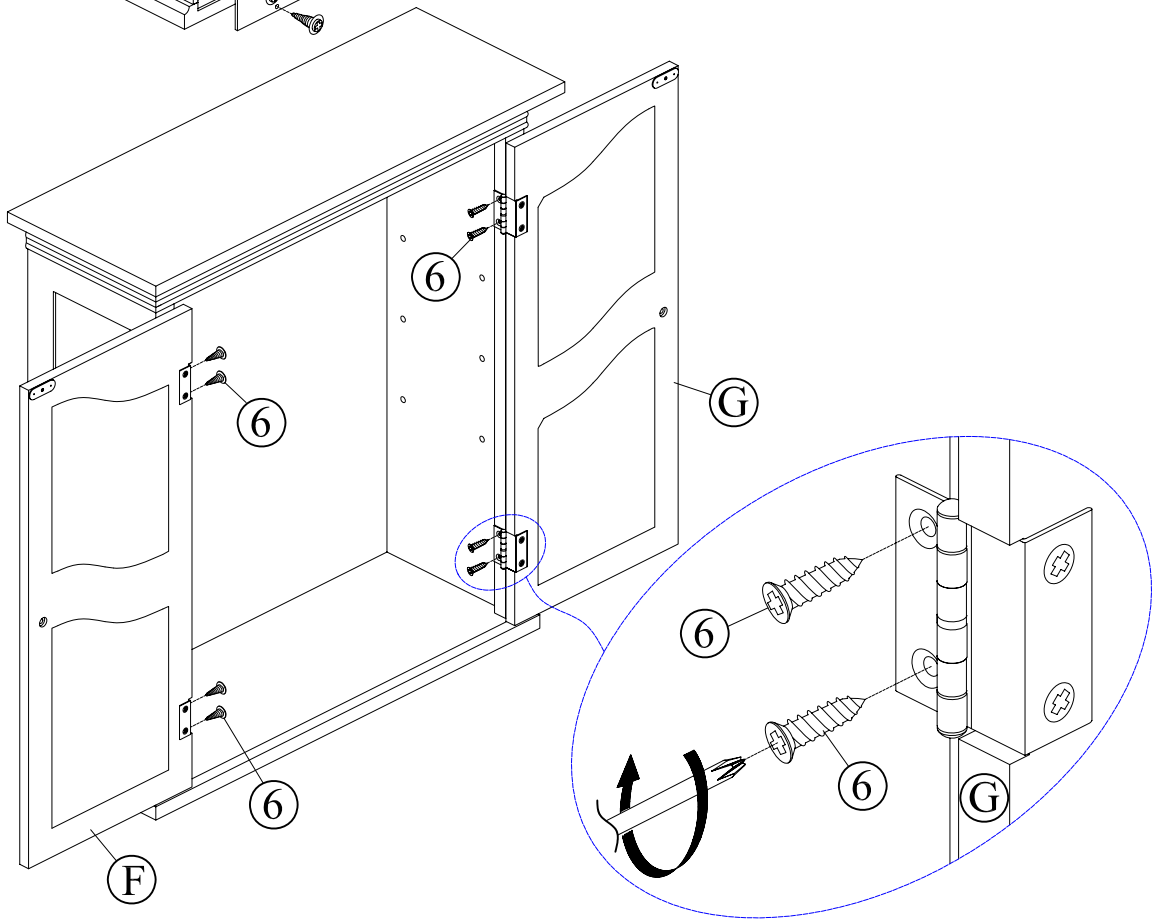
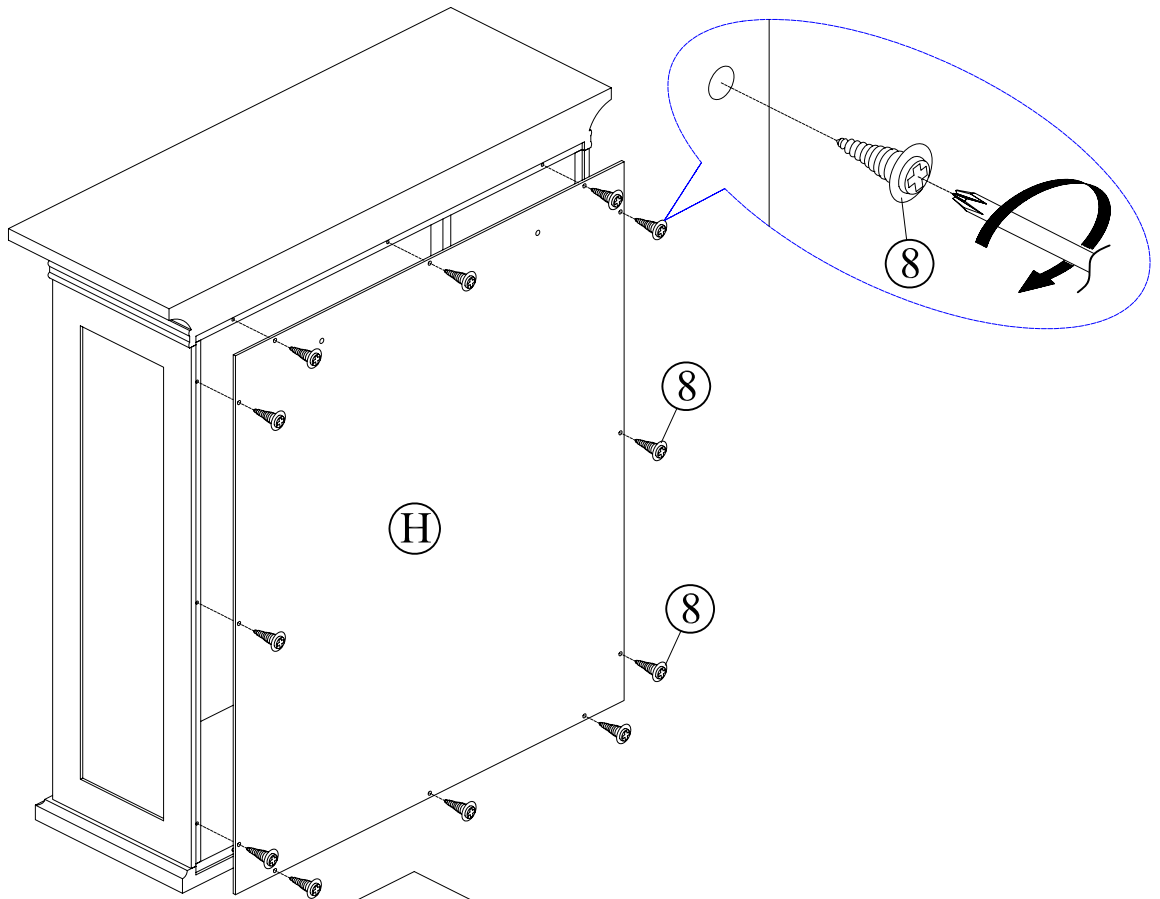
8pcs

8



Ø3\*12 mm

12pcs

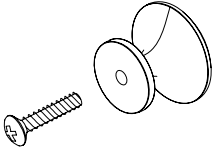


### STEP 3:

1. Connect the Rear Panel H and the main body with the Screw #8, tighten the Screw #8.
2. Connect the Left Door F and the Side Panel-Left C with the Screw #6, and the Screw #6 pass through the hole on the hinge on the Left Door F, then tighten the Screw #6.
3. Connect the Right Door G and the Side Panel-Right D with the Screw #6, and the Screw #6 pass through the hole on the hinge on the Right Door G, then tighten the Screw #6.

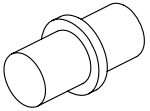
# 4

7

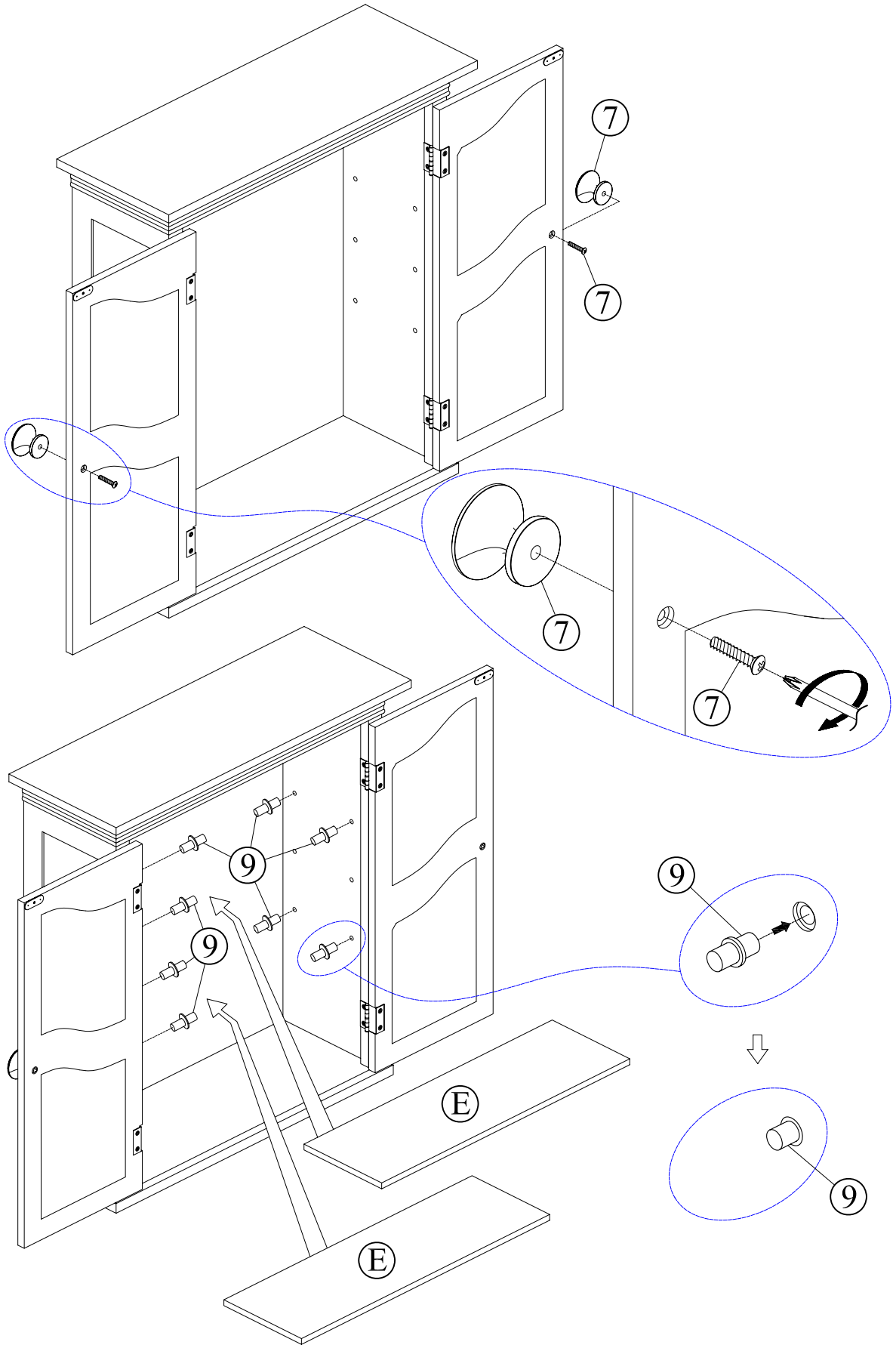


2sets

9



8pcs



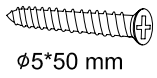
## STEP 4:

1. Attach the Knob #7 to the Left Door F with the Bolt #7, then tighten the Bolt #7.
2. Attach the Knob #7 to the Right Door G with the Bolt #7, then tighten the Bolt #7.
3. Insert the Shelf Pin #9 into the hole on the Side Panel-Left C and the Side Panel-Right D.
4. Place the Adjustable Shelf E on the Shelf Pin #9.



# 5

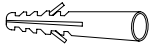
10



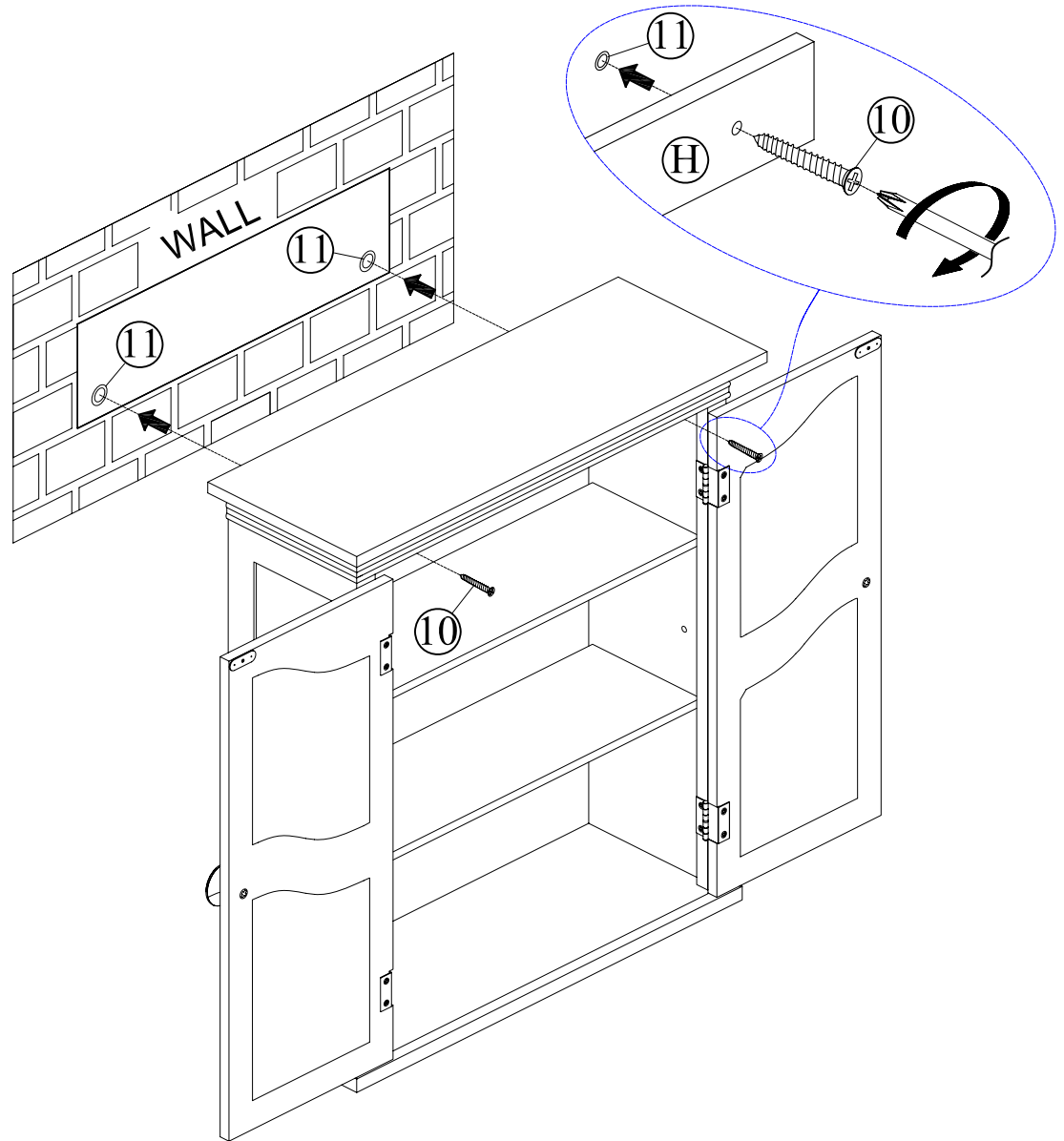
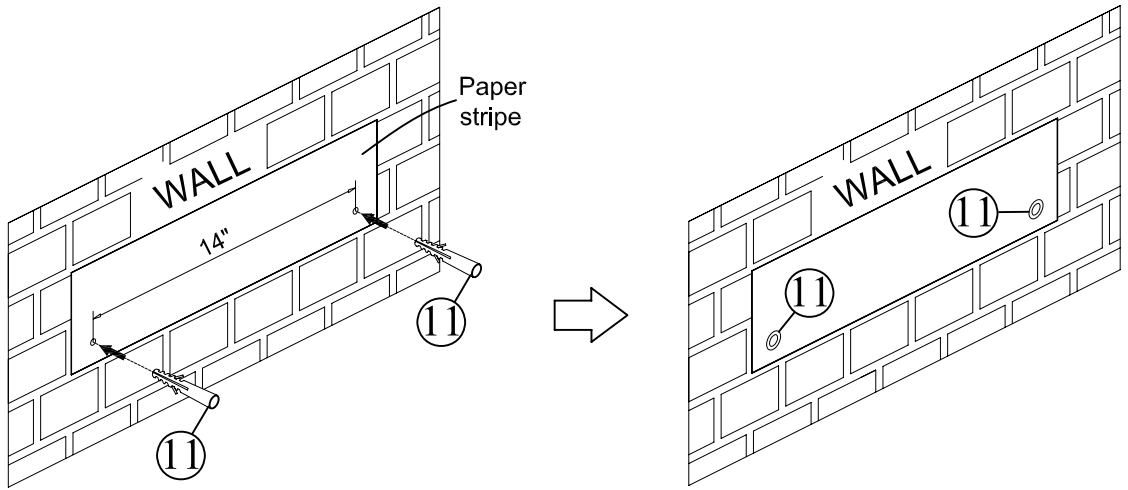
φ5\*50 mm

2pcs

11



2pcs



### STEP 5:

1. We provide Alignment Paper Strip to help you to install the Wall Cabinet on the wall. Place Alignment Paper on the desire location and make sure it is horizontal. Pre-drill anchor holes, and install anchor #5.
2. Relyed the wall cabinet on the wall, and aimed the hole on the Rear Panel H and the anchor #5 in the wall.
3. Tighten the screw #1 into the anchor #5, and pass through the hole on the Rear Panel H. In this way, the Wall Cabinet shall be fixed on the wall.

California Proposition 65 Warning

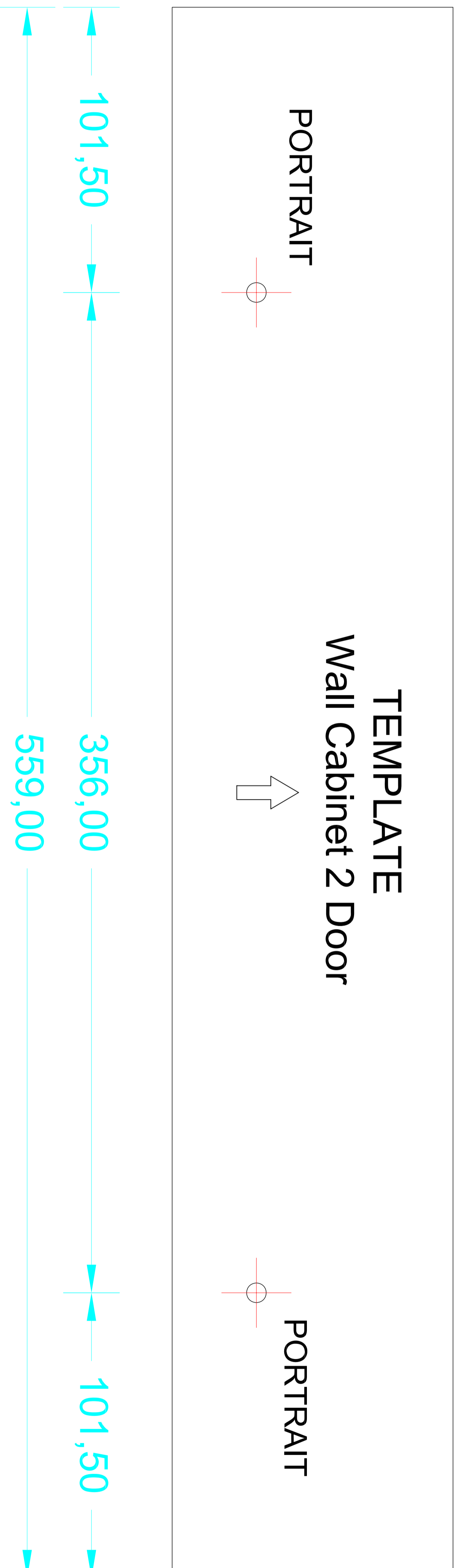
WARNING: This product may contain chemicals known to the state of California to cause cancer, and birth defects or other reproductive harm.

ADVERTENCIA: Este producto puede contener sustancias químicas conocidas en el estado de California como causantes de cáncer, defectos de nacimiento u otros daños reproductivos.

For more information:

<https://oehha.ca.gov/proposition-65>

100,00  
70,00



70,00  
100,00