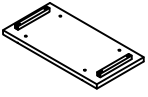

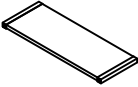








Assembly Instructions, #23005 Narrow Chairside/Recliner Table

Parts List

Item	Parts	Description	Quantity
A		Top Panel	1
B		Leg Frames	2
C		Shelf	1

Hardware List

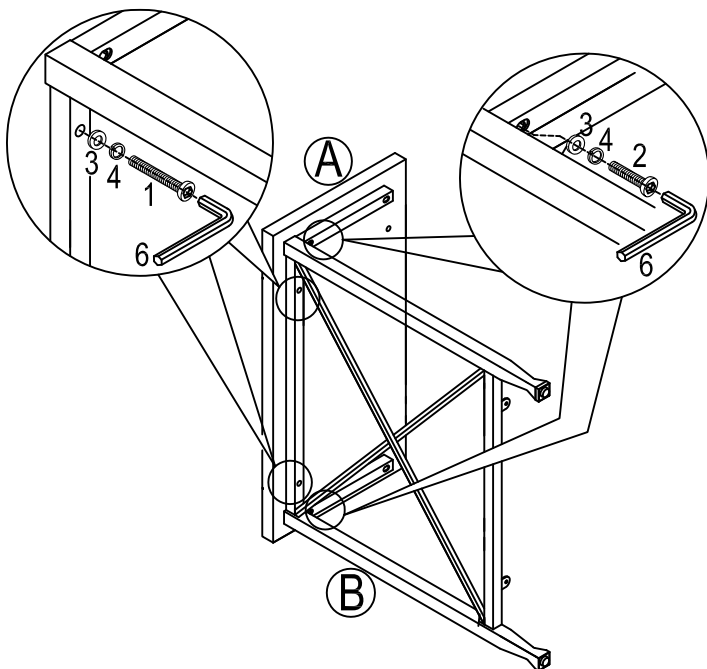
Item	Hardware	Description	Quantity
1		Long Allen Bolts	4
2		Short Allen Bolts	8
3		Flat Washers	12
4		Lock Washers	12
5		Wood Screws	4
6		Allen Wrench	1

Assembly Steps

Step 1

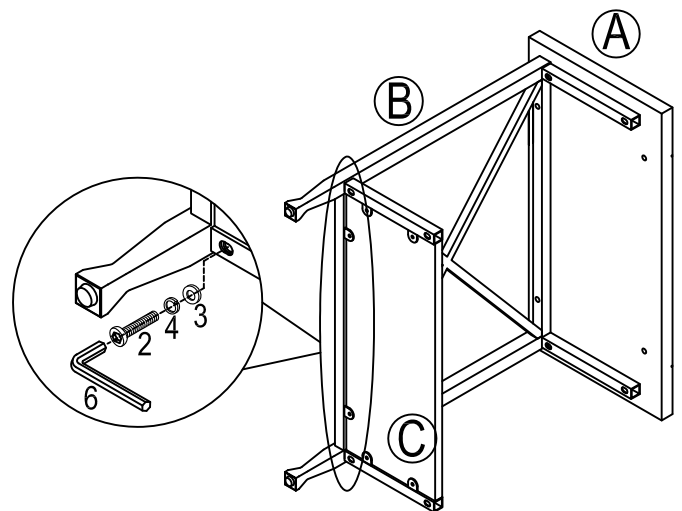
1.1 Lay the Top Panel (A) down on a soft surface.

1.2 Insert one Leg Frame (B) into the Top Panel's (A) tube, fasten with two Long Allen Bolts to the lower face of Top Panel and two Short Allen Bolts on the ends of Top Panel's tube. Do not tighten.



Step 2

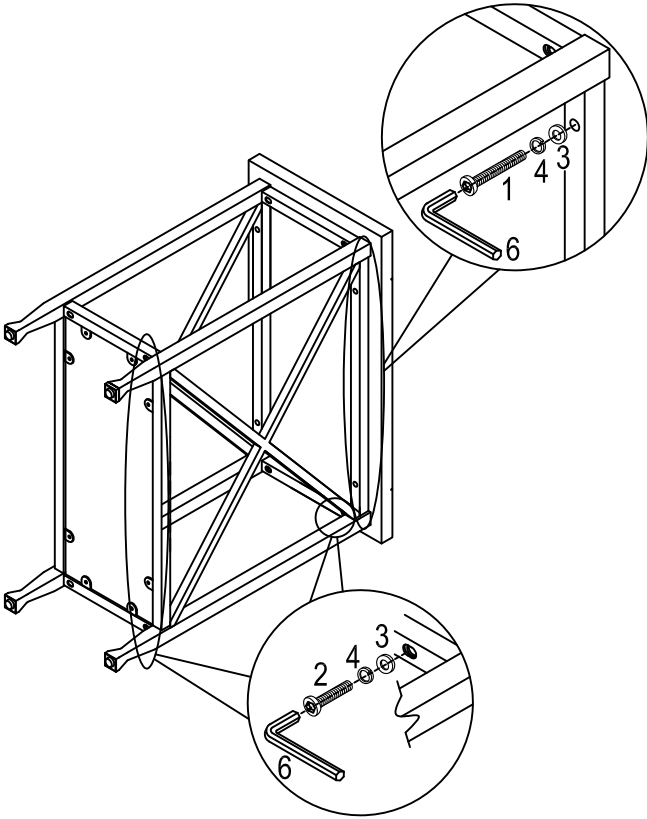
Insert the protruding part of Leg Frame (B) into the Shelf (C), fasten with two Short Allen Bolts. Do not tighten.



Assembly Steps

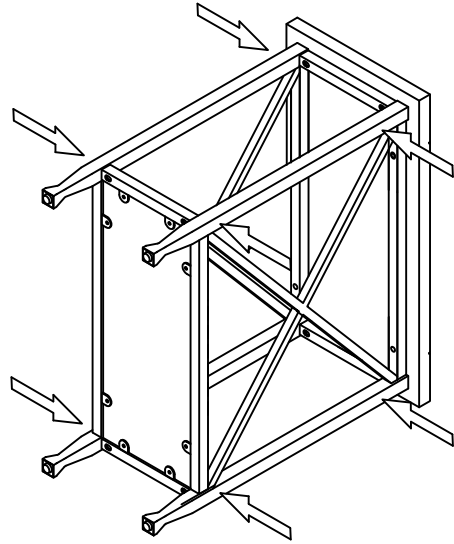
Step 3

Do the same thing on the other leg frame as in steps 1.2 and step 2.



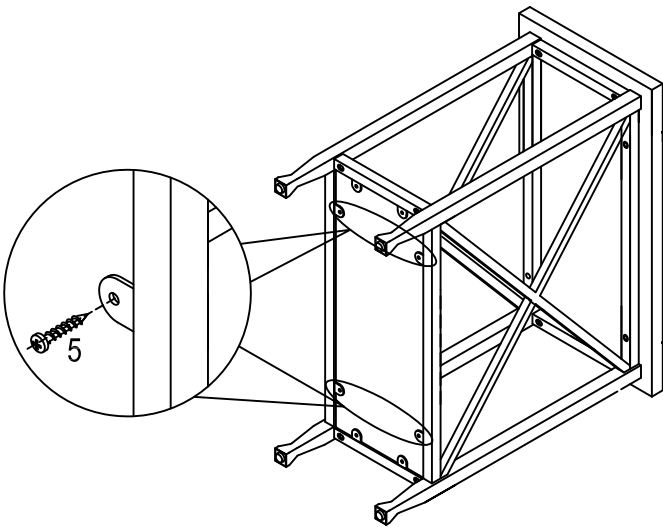
Step 4

Push leg frames onto the shelf and top metal tubes, tighten all the bolts.



Step 5

Fasten the Shelf (C) with four Wood Screws.



Step 6

6.1 Position the assembled piece upright.

6.2 Adjust levelers on the bottom of leg frames if needed.

