

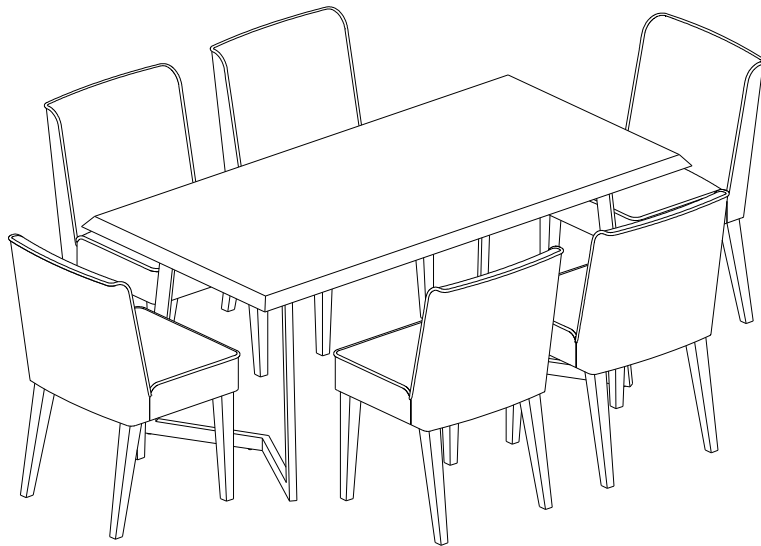
# SIMPLIHOME®

## Bartow / Watkins

---

7 Pc Dining Set

MODEL # AXCD57BRWLBTP



brooklyn + max™ 

Wyden+Hall™  
HOME DECOR

# SIMPLIHOME®

## Great quality is a right.

Thank you for shopping with Simpli Home,  
America's top brand for high-value furniture.



## It's time to register your product warranty.

It's quick and easy. And you'll be happy you did.



- ✓ Activate your 1-year warranty.
- ✓ Automatic entry to win a \$500 gift certificate.
- ✓ Earn instant rewards and save.

[simpli-home.com/product-registration](https://simpli-home.com/product-registration)

# SIMPLIHOME®

## Review your product and collect rewards!

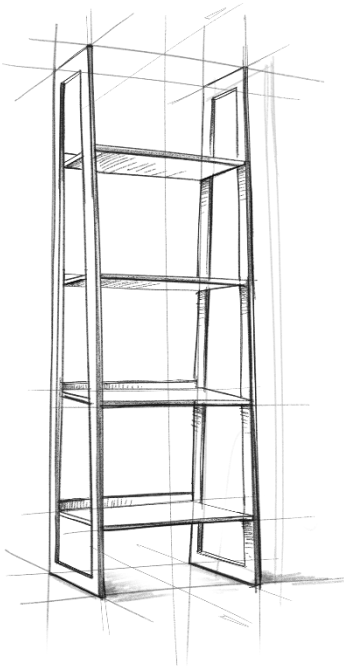
Thank you for your purchase! We hope you enjoy it. We'd love your feedback. Please share a review and get instant rewards!



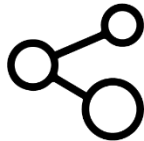
[simpli-home.com/product-review](https://simpli-home.com/product-review)



## Share photos and get your cash back!



Send us images or share them on social and qualify for instant rewards. You may even receive store credit on your entire purchase!



[simpli-home.com/share-images](https://simpli-home.com/share-images)

# SIMPLIHOME®

## For fastest customer service:



1. Open your phone's camera.
2. Point your phone's camera at the QR code to scan.
3. Click on the pop up.
4. You'll be taken to our customer service page.
5. Fill the form with your order information and issue.
6. Submit form.
7. A customer service associate will contact you.

## Other ways to contact us...



### Email Us

[customerservice@simpli-home.com](mailto:customerservice@simpli-home.com)



### Visit Us

Visit our site directly at  
[www.simpli-home.com](http://www.simpli-home.com)



### Call Us

1-866-518-0120  
Monday to Friday  
9am to 5pm EST

**\*If you've purchased from a retailer and you wish to return the product, please contact the retailer directly.**

**IMPORTANT:** Please read this manual carefully before beginning assembly of this product. Keep this manual for future reference.

## Safety Information

**This furniture is designed for indoor use.**

Identify all the parts and hardware. Do not discard of the packaging until you have checked that you have all the parts and hardware required. Hardware package may have spare parts.

**WARNING:** This item contains small parts which can be swallowed by children and pets. Keep children and pets away during assembly. To avoid danger of suffocation, always keep plastic bags away from children and pets.

We recommend that you assemble this unit on a carpeted floor to avoid scratches. If using power tools, set the tool to low torque to avoid damage.

**May require 2 people for ease of assembly.**

## Care & Maintenance

Wipe regularly with clean water and a damp, clean, soft white cloth.

General cleaning can be done as needed with a mild detergent and water solution.

Always rinse with clean water and dry.

For heavy soiling, dampen a soft white cloth or soft bristle brush.

Use care as scrubbing can damage the surface.

More difficult stains can be treated, but this should be occasional, not daily cleaning.

ANY cleaning solution used must be removed with clean water and a clean white cloth. Cleaning residue left on the material can cause it to dry out and crack or affect the color.

**DO NOT** use any cleaners with corrosive ingredients (lye, acids or ammonia).

## Care & Maintenance

**This furniture is designed for indoor use.**

Damage to furniture can come from temperature changes in relative humidity (RH) in our homes. Humid air oxidizes metal which results in rusting, corrosion, tarnishing and roughness. Wood absorbs water as relative humidity rises and falls, and in doing so it swells and shrinks.

To protect against the humidity effect, the metal is powder coated. The powder coat layer protects the metal from oxidizing, corrosion, tarnishing and scratching and keeps it looking good for years to come. The wood is sealed and lacquered to protect against humidity.

**To help protect your furniture, follow these steps:**

- Use a humidifier, preferably one with an automatic control system that can sense the humidity level and adjust itself accordingly
- Dust with a soft dry cloth
- Wipe up spills promptly
- Clean with a dry cloth
- Do not use abrasive cleaners, chemical solvents, strong detergents, cleaners with bleach, and furniture polish
- Use soft felt base coasters, placemats to help prevent scratches
- Keep furniture out of direct sunlight, which can cause cracking or roughness on the protective layer
- If it can be avoided, do not put furniture near heating vents
- Keep the furniture 3 to 4 inches away from the wall, giving heat and air space to circulate

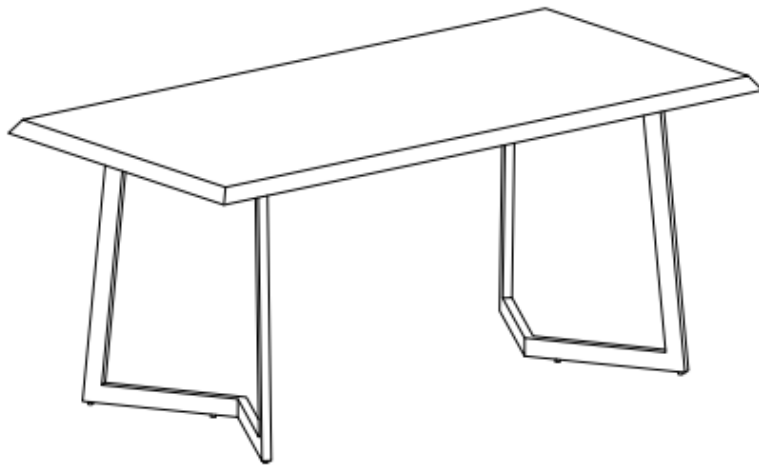
# SIMPLIHOME®

## Watkins / Hathaway / Hastings

---

Dining Table

MODEL # AXCWTKDT-LBR



brooklyn + max™

WyndenHall™  
HOME DECOR

**Part Description**

**A**



TOP  
QTY 1

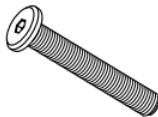
**B**



LEG  
QTY 2

**Hardware Description**

**1**



ALLEN KEY BOLT  
M8 x 30 mm  
QTY 16

**2**



WASHER  
Ø 22 / Ø 8 x 1.5 mm  
QTY 16

**3**



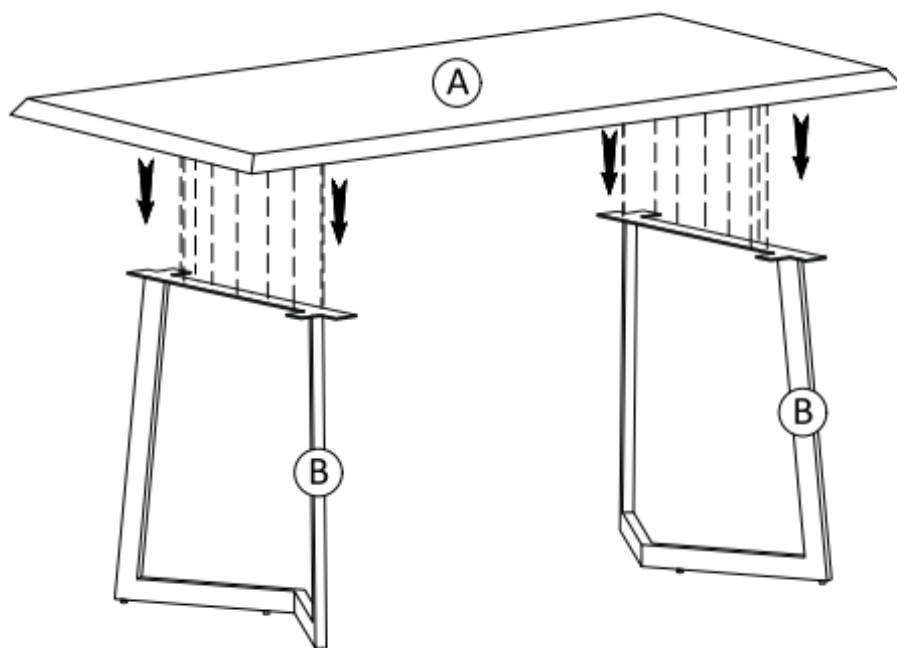
LOCK WASHER  
Ø 15 / Ø 8 x 1.2 mm  
QTY 16

**4**

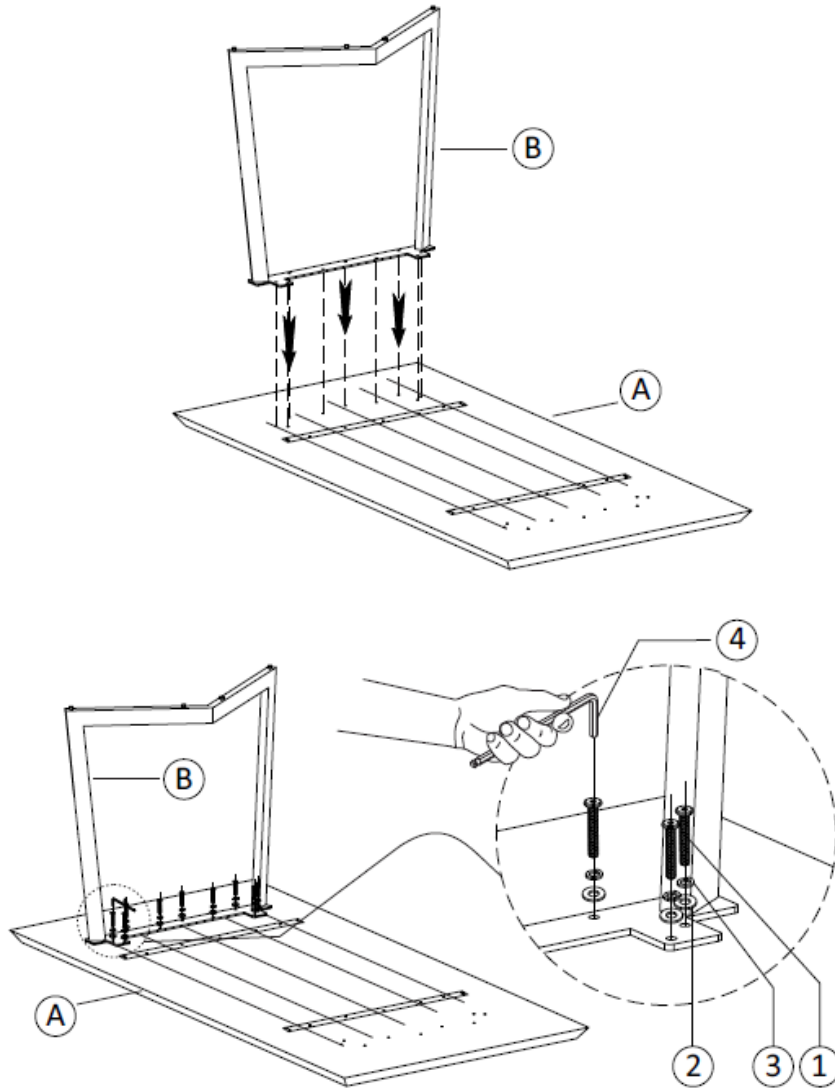


ALLEN KEY  
5 mm  
QTY 1



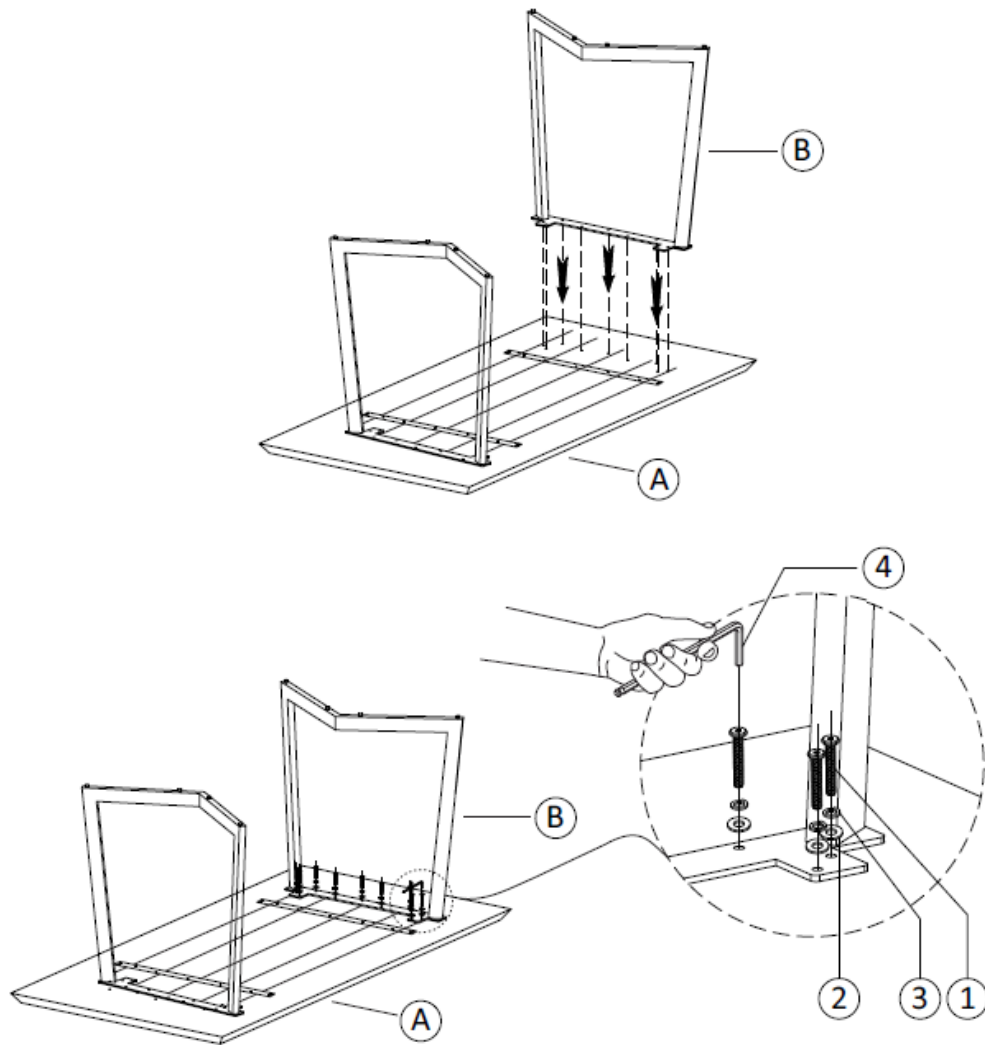


Step 1



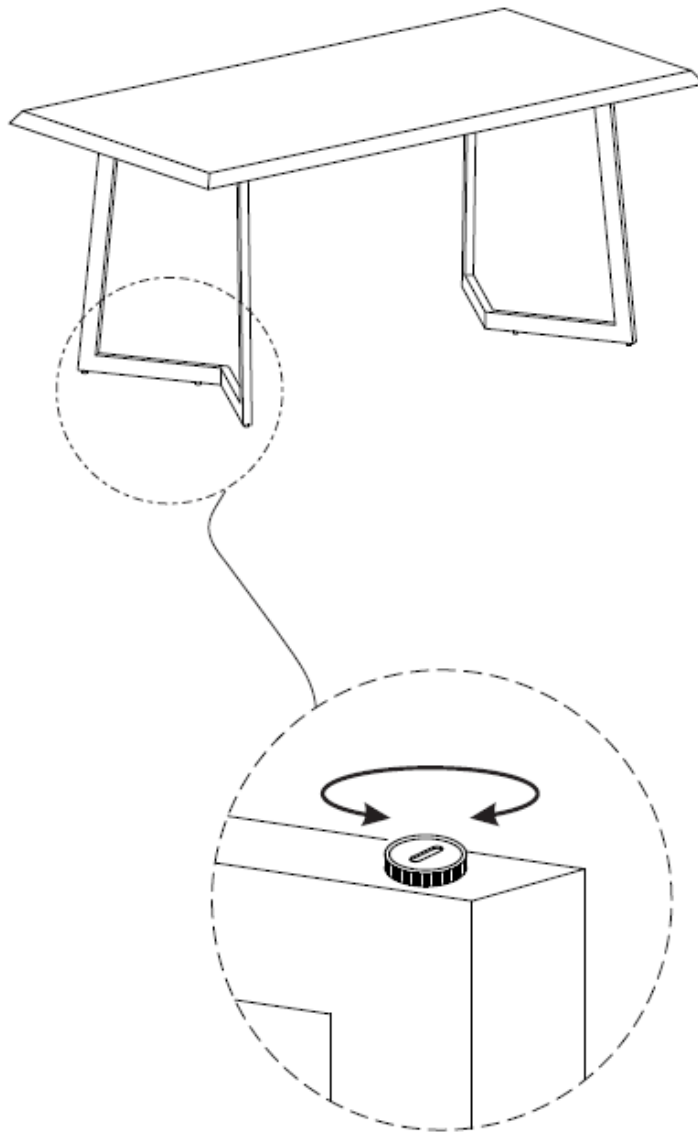
1. Place Top (A) upside down on a flat, smooth surface and align holes on one Leg (B) with holes on one side of Top (A).
2. Use eight Bolts (1), eight Washers (2) and eight Lock Washers (3) to attach Leg (B) to Top (A).
3. Use Allen Key (4) to tighten. Do not over tighten.

Step 2



I. Repeat Step 1 to attach the second Leg (B) to Top (A).

**Step 3**



**NOTE:** Levelers on the bottom of the legs can be adjusted if floor is uneven.

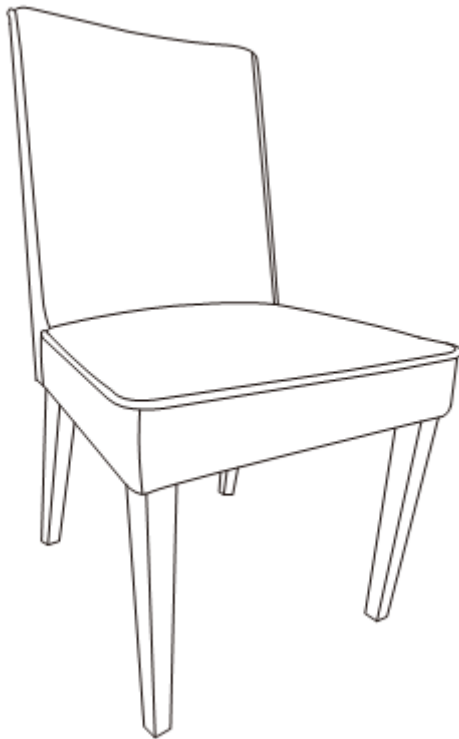
# SIMPLIHOME®


## Bartow / Navan / Mabel

---

Dining Chair (Set of 2)

MODEL # AXCBARDC-TPE



brooklyn + max™ 

WyndenHall™  
HOME DECOR

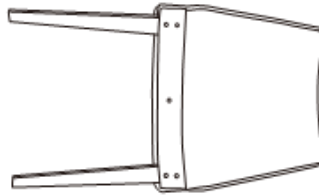
**Part Description**

**A**



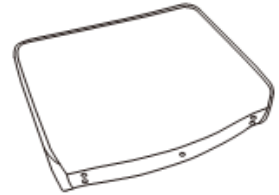
LEG  
QTY 2

**B**



CHAIR BACK  
QTY 1

**C**



SEAT  
QTY 1

**Hardware Description**

**1**



ALLEN KEY SCREW  
M8 x 55 mm  
QTY 1

**2**



ALLEN KEY SCREW  
M8 x 60 mm  
QTY 4

**3**



ALLEN KEY  
M8 x 80 mm  
QTY 4

**4**



LOCK WASHER  
Ø 13 mm  
QTY 9

**5**



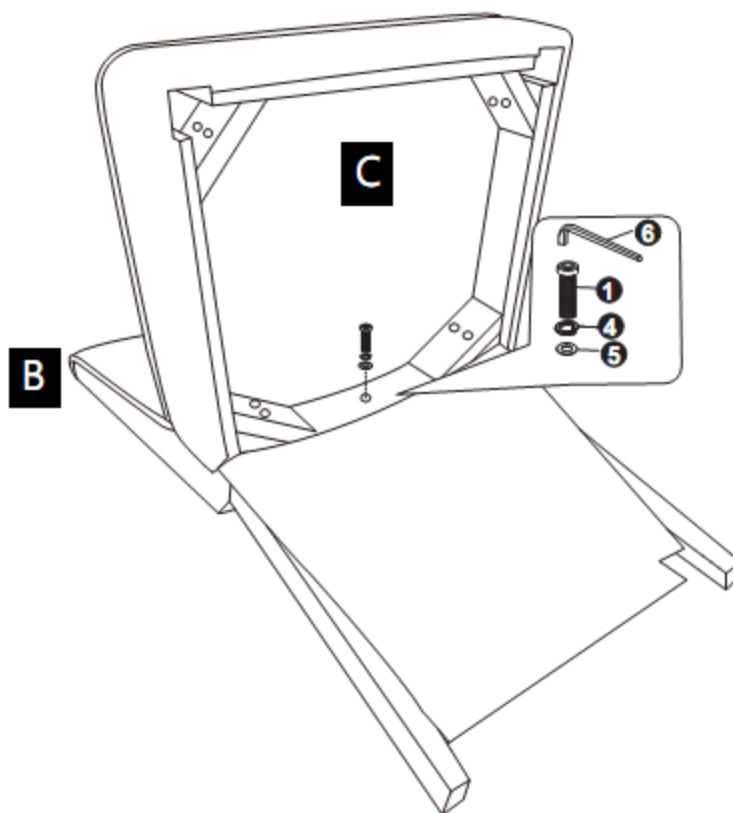
WASHER  
Ø 22 mm  
QTY 9

**6**



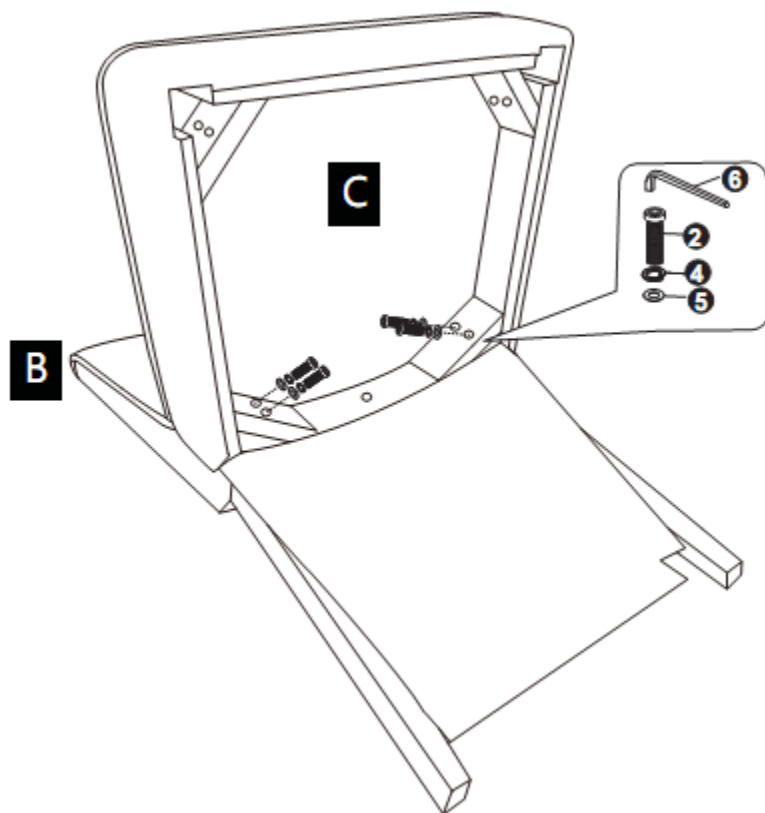
ALLEN KEY  
M8  
QTY 1

Step 1



1. Attach Seat (C) to Chair Back (B) using Allen Key Screw (1), one Washer (5) and one Lock Washer (4).
2. Use Allen Key (6) to tighten. Do not over-tighten.

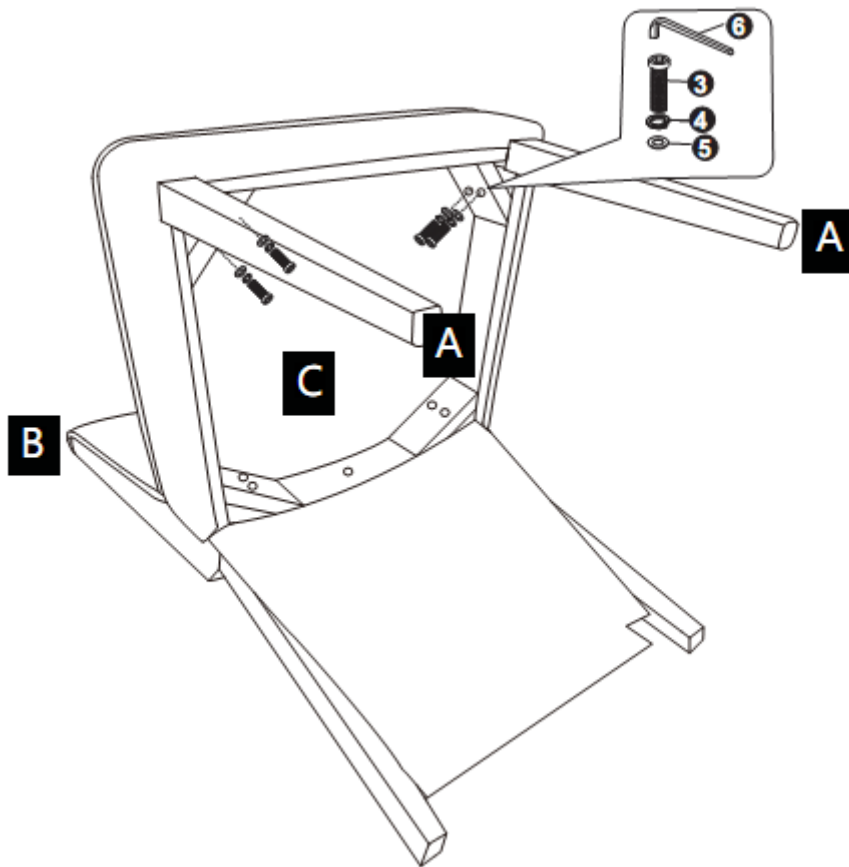
Step 2



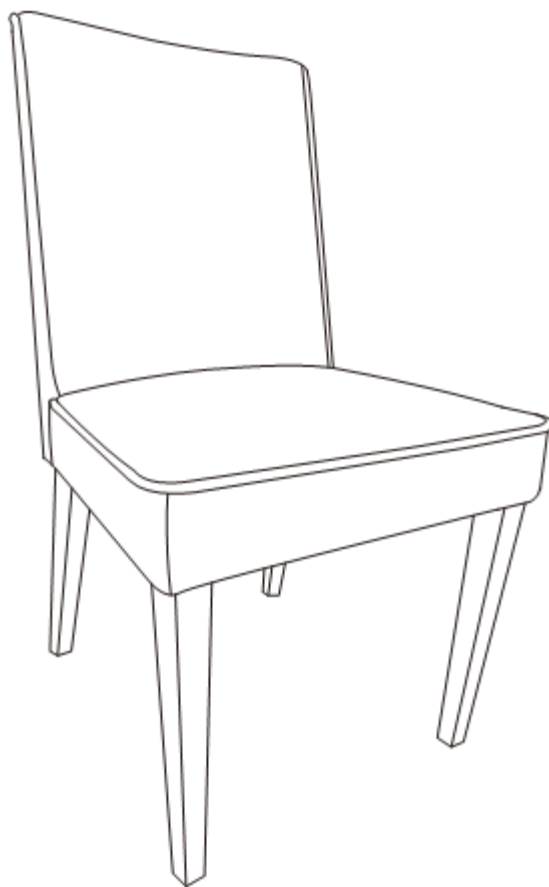
1. Secure Seat (C) to Chair Back (B) using Allen Key Screws (2), four Washers (5) and four Lock Washers (4).
2. Use Allen Key (6) to tighten. Do not over-tighten.



Step 3

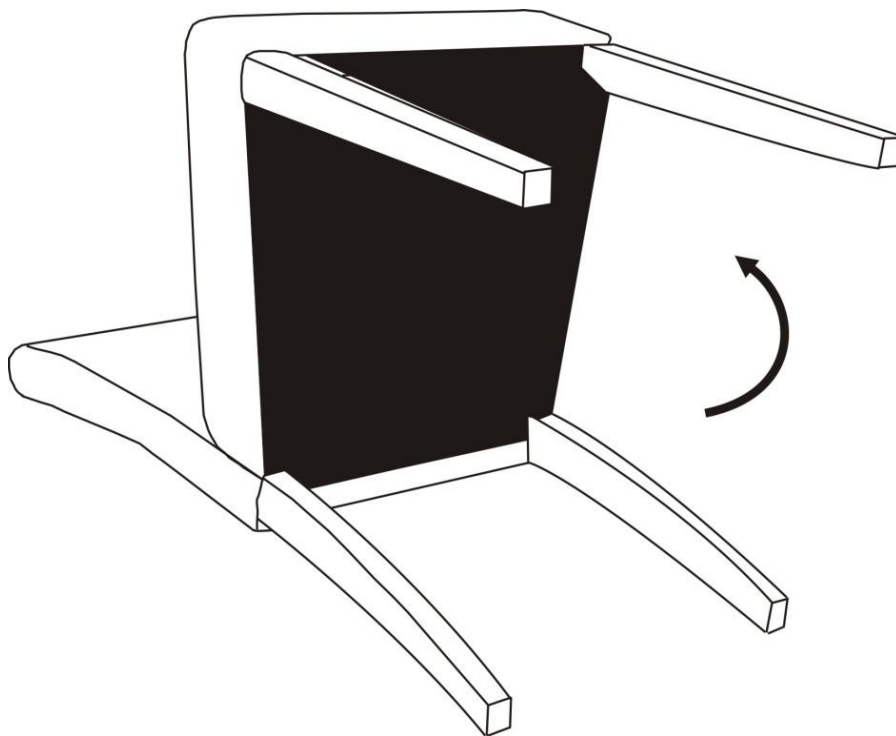


1. Attach Front Legs (A) to Seat (C) using Allen Key Screws (3), four Washers (5) and four Lock Washers (4).
2. Use Allen Key (6) to tighten. Do not over-tighten.

**Step 4**

1. Place Chair on a flat, level surface.
2. If it is uneven, adjust either the Seat (C) or Front Legs (A) and then fully tighten screws.

**Step 5**



I. Attach the fabric with Velcro to the bottom of the seat.