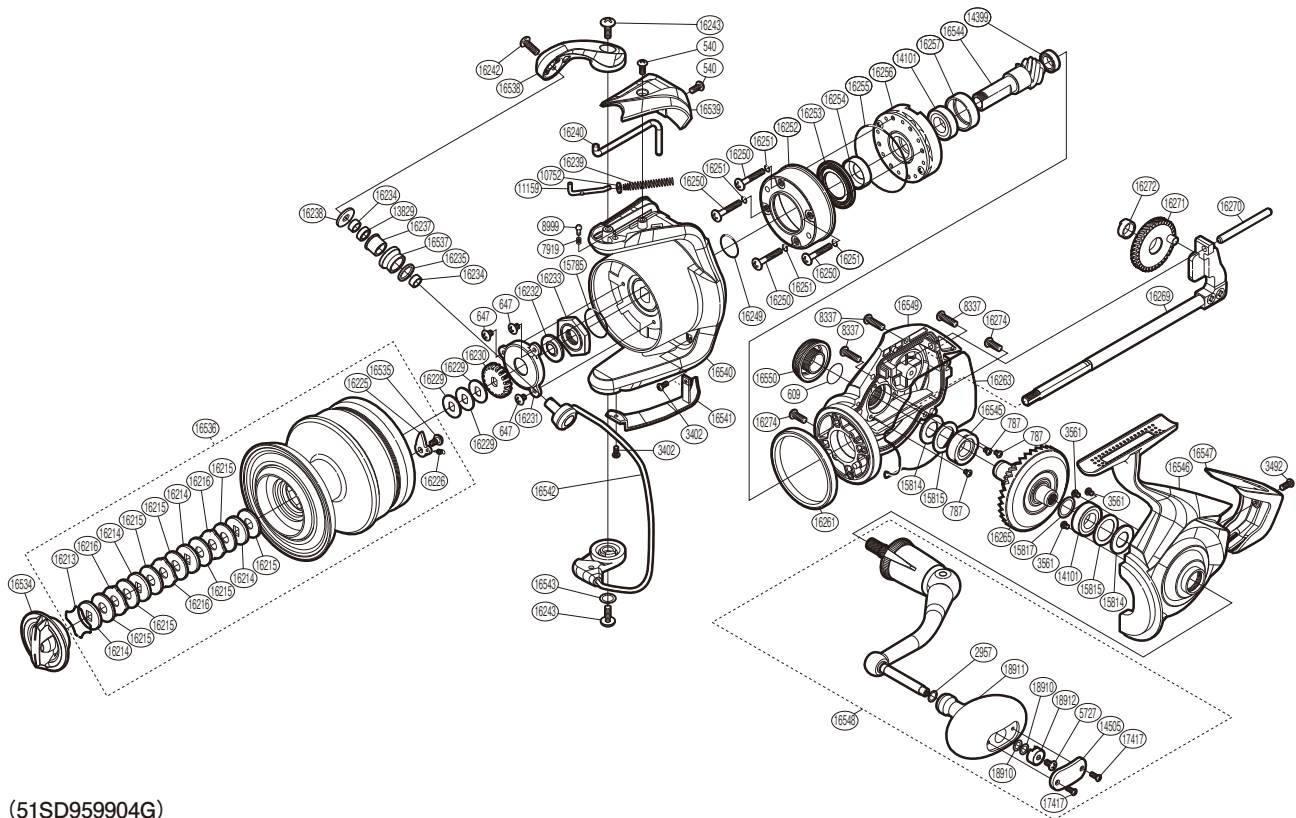


# SHIMANO

## SPHEROS

14SP20000SW



(51SD959904G)

#	Part No.	Description	#	Part No.	Description	#	Part No.	Description
540	103GS	Screw	16226	10BQ9	Drag Click Spring	16270	1035J	Oscillating Guide
609	108WK	O Ring	16229	10700	Spool Support Washer	16271	10G9R	Oscillating Gear
647	10QG5	Screw	16230	103N0	Spool Support	16272	103QT	Oscillating Gear Bushing
787	103L6	Screw	16231	10K34	Nut Lock Plate	16274	10M6Y	Screw
2957	10PDB	Spacer	16232	107F9	Bearing Water Proof	16534	102EF	Drag Knob
3402	103ND	Screw	16233	10813	Rotor Nut	16535	10A6W	Screw
3492	103DC	Screw	16234	10CZT	Line Roller Collar	16536	1083C	Spool Assembly
3561	10MT4	Screw	16235	1072L	Line Roller Spacer	16537	10KXY	Line Roller
5727	103GQ	Screw	16237	107RP	Line Roller Bushing	16538	10KLM	Bail Arm
7919	1077Q	Click Spring	16238	107X5	Line Roller Washer	16539	10883	Bail Spring Cover
8337	10MBH	Screw	16239	105R2	Bail Spring	16540	10PYC	Rotor
8999	10HEA	Click Pin	16240	106KQ	Bail Trip Lever	16541	10MNG	Bail Hold Support Guard
10752	10TYE	Spring Guide A Support	16242	10PMW	Screw	16542	1073P	Bail Assembly
11159	105LV	Bail Spring Guide A	16243	103UN	Screw	16543	10G4W	Washer
13829	104JZ	Ball Bearing	16249	108WV	O Ring	16544	10C25	Pinion Gear
14101	104PW	Ball Bearing	16250	10A6U	Screw	16545	10J6Q	Drive Gear Bushing
14399	105BK	Ball Bearing	16251	108WW	O Ring	16546	104D8	Side Cover
14505	108SY	Handle Knob I.D. Plate	16252	10MHB	Roller Clutch Water Proof Cover	16547	10NKW	Rear Protector
15785	10CG0	O Ring	16253	10MH2	Roller Clutch Water Proof	16548	10NAY	Handle Assembly
15814	10CD2	Bearing Water Proof	16254	10K7T	Rotor Ring	16549	10B9D	Body
15815	10BGG	Washer	16255	108WX	O Ring	16550	10N4D	Handle Screw Cap
15817	105U4	Washer	16256	10QPG	Roller Clutch Assembly	17417	10L1T	Screw
16213	10B8Q	Drag Washers Retainer	16257	10JAA	Bearing Housing	18910	145N2	Washer
16214	10BCA	Key Washer	16261	104G9	Friction Ring	18911	100PF	Handle Knob Assembly
16215	10348	Drag Washer	16263	10CDC	Body Seal	18912	104P0	Handle Knob Shaft Collar
16216	102Z9	Eared Washer	16265	10EKE	Drive Gear			
16225	102H4	Drag Click	16269	10NF7	Main Shaft Assembly			

Please note that the number of adjusting washers may not be the same as shown in the exploded views.  
(Adjustment will vary with each individual product.)

(241030)\_003