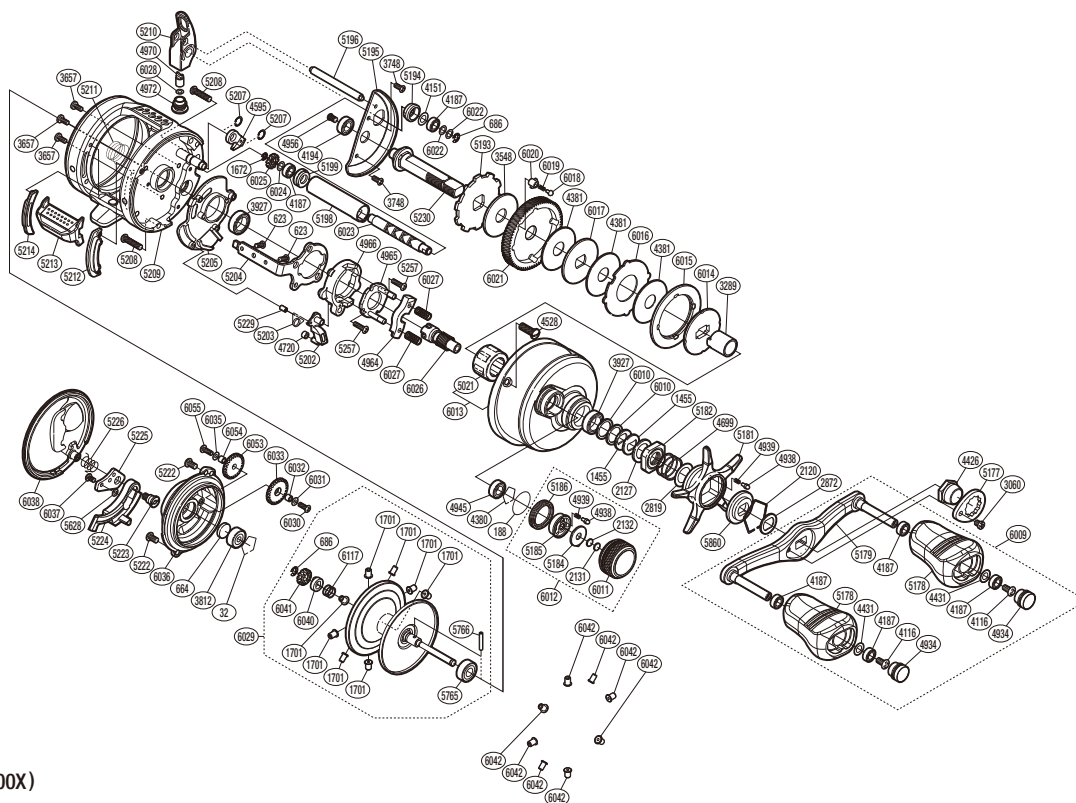


# SHIMANO

## CALCUTTA CONQUEST

### CTCQ-300



(51RL090300X)

#	Part No.	Description	#	Part No.	Description	#	Part No.	Description
0032	10GEW	Bearing Retainer	4966	10K0X	Clutch Cam	5766	10MD1	Spool Clutch Pin
0188	109EB	O Ring	4970	10FFT	Line Guide Pawl	5860	10J26	Star Drag Click Plate
0623	103C0	Screw	4972	10FJC	Pawl Cap	6009	10TTM	Handle Assembly
0664	1057S	Spacer B	5021	10F33	Roller Clutch Bearing	6010	10GHN	Washer
0686	105NK	E Lock	5177	10Q66	Handle Nut Plate	6011	10T06	Cast Control Cap
1455	1052E	Drag Spring Washer (H)	5178	10326	Handle Knob	6012	10TDA	Cast Control Cap Assembly
1672	105NC	E Lock	5179	10A69	Handle Shank Assembly	6013	10TD9	Right Side Plate Assembly
1701	10CPE	Brake Collar (Gray)	5181	10AU2	Star Drag	6014	10D54	Pressure Plate
2120	10KXV	Click Plate Retainer	5182	10A3V	Star Drag Nut	6015	10JAZ	Drag Click Ratchet
2127	10J1N	Star Drag Spacer	5184	10L2E	Cast Control Click Plate	6016	10KQL	Eared Washer
2131	10897	Spool Tension Spacer B	5185	10BSX	Click Pin Holder	6017	10LB6	Drag Washer
2132	1085G	Spool Tension Spacer A	5186	10L70	Cast Control Click Holder	6018	10C0S	Drag Click
2819	10HHN	Washer	5193	10D71	Anti-Reverse Ratchet	6019	10J89	Click Spring
2872	107QQ	Friction Washer	5194	10N9Q	Worm Bushing A	6020	10J58	Drag Click Pin Holder
3060	10CZ5	Screw	5195	109SX	Drive Shaft Retainer	6021	10QRB	Drive Gear
3289	10BN7	Roller Clutch Inner Tube	5196	10GUG	Level Wind Guide	6022	10J16	Washer
3548	10CHZ	Drag Washer	5198	10NFU	Level Wind Guard	6023	10T05	Worm Shaft
3657	103C2	Screw	5199	104SP	Worm Bushing B	6024	10G6B	Washer
3748	10MPR	Screw	5202	105ZM	Clutch Pawl	6025	10FTA	Idle Gear C
3812	105C1	Ball Bearing	5203	104CJ	Clutch Pawl Spring	6026	10AAH	Pinion Gear
3927	10EX8	Ball Bearing	5204	10QGP	Clutch Plate	6027	10ECN	Yoke Spring
4116	103E9	Screw	5205	10BVS	Clutch Guard	6028	10GD0	Washer
4151	10G8D	Washer	5207	105S2	C Lock	6029	101MJ	Spool Assembly(With Bearing)
4187	104VX	Ball Bearing	5208	103M0	Screw	6030	10LVM	Screw
4194	105BP	Ball Bearing	5209	10EVL	Frame Assembly	6031	10HVD	Washer
4380	1057X	Retainer	5210	10NYG	Line Guide Assembly	6032	10ECC	Idle Gear B Support
4381	10CHW	Drag Washer	5211	10EZE	Bearing Pressure Spring	6033	10T04	Idle Gear B
4426	10FNF	Handle Nut	5212	10972	Clutch Bar Guide B	6035	10HYM	Washer
4431	10G8G	Washer	5213	10MWH	Quick-Fire II Clutch Bar	6036	10EF1	Brake Case Assembly
4528	10A6X	Screw	5214	10ASN	Clutch Bar Guide A	6037	10U0S	Screw
4595	10MW1	Anti-Reverse Pawl Assembly	5222	10LSL	Screw	6038	100SC	Left Side Plate Assembly
4699	10A71	Star Drag Spring	5223	10GM6	B Side Plate Insert	6040	10MCY	Spool Shaft Cam
4720	1048C	Clutch Pawl Bushing	5224	10BAS	Side Plate Cam Lever	6041	10JAH	Idle Gear A
4934	10FMG	Handle Knob Seal	5225	10AYX	Damper Bush	6053	10TUG	Idle Gear D
4938	10B27	Click Pin	5226	10KNA	Damper Spring	6054	10TUH	Idle Gear D Support
4939	10988	Click Spring	5229	108S5	Clutch Pawl Spring Collar	6055	10TTU	Screw
4945	105BR	Ball Bearing	5230	13UFC	Drive Shaft	6117	10E20	Spool Shaft Spring
4956	10PVT	Screw	5257	10TP0	Screw			
4964	1046X	Yoke	5628	10280	Washer			
4965	10F3Y	Clutch Cam Retainer	5765	105CA	Ball Bearing	6042	10ECR	Brake Collar (Clear) (Accessory)

Please note that the number of adjusting washers may not be the same as shown in the exploded views.  
(Adjustment will vary with each individual product.)

(240520)\_005