

## Drake® Transitional WASHLET®+ S500e Two-Piece Toilet - 1.28 GPF

### FEATURES

- Concealed supply connection for seamless installation
- TORNADO FLUSH® system, high-efficiency (1.28 GPF/4.8 LPF)
- Transitional style tank
- CEFIONTECT® ceramic glaze minimizes waste from sticking to porous ceramic surfaces
- 12" Rough-in, supply line sold separately
- Universal Height
- Chrome plated trip lever
- Auto flush available as upgrade
- Elongated front bowl and WASHLET+ S500e and tank set
- EWATER+® auto-cleans wand and bowl
- On-demand remote function cleans wand with EWATER+
- PREMIST® of bowl before each use
- Remote control operated



### MODELS

- **MW7863046CEFGA (#01)**  
With CEFIONTECT ceramic glaze, WASHLET+ S500e with contemporary design and Auto Flush
- **C776CEFGT40**  
Elongated bowl with CEFIONTECT
- **ST786EA**  
Tank and cover only
- **SW3046AT40**  
WASHLET+ S500e
- **THU767**  
Auto Flush Kit
- **MW7863046CEFG (#01)**  
Same as MW7863046CEFGA without Auto Flush

### OPTIONAL COMPONENTS

- **THU398(#01, #PN, #BN)**  
Trip Lever - Cotton, Polished Nickel, Brushed Nickel

### COLORS/FINISHES

- #01 Cotton

-  **TORNADO FLUSH**
-  **EWATER+**
-  **CEFIONTECT**
-  **Auto Flush**
-  **UNIVERSAL HEIGHT**

### PRODUCT SPECIFICATION

The two-piece high-efficiency TORNADO FLUSH toilet shall be 1.28 GPF/4.8 LPF. Universal Height Toilet with CEFIONTECT glaze finish. Toilet shall have high-profile tank, elongated front bowl and chrome trip lever. Toilet shall be TOTO Model MW7863046CEFG\_\_#01. See TOTO Specification sheet SW3046AT40 for details on required WASHLET.

### CODES/STANDARDS

- Meets and exceeds ASME A112.19.2/CSA B45.1
- Certifications: IAPMO(cUPC®), EPA WaterSense, State of Massachusetts, City of Los Angeles, and others
- Code Compliance: UPC, IPC, NSPC, NPC Canada, and others
- Legislative Compliance: California Green Building Code, City of Los Angeles Water Efficiency Ordinance, and others
- ADA compliant (when installed with trip lever located on the approach side)
- Complies with CA Prop 65 warning requirements



# MW7863046CEFG(A)

## Drake® Transitional WASHLET®+ S500e Two-Piece Toilet - 1.28 GPF

### SPECIFICATIONS

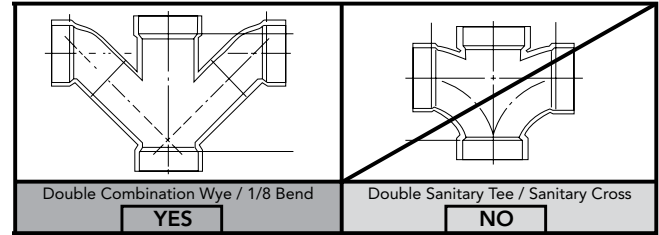
|                            |   |
|----------------------------|---|
| <b>Water Use</b>           | 1.28 GPF (4.8 LPF)  |
| <b>Flush System</b>        | TORNADO FLUSH®  |
| <b>Min. Water Pressure</b> | 8 psi (Flowing)   |
| <b>Water Surface</b>       | 9" x 6-7/8"   |
| <b>Trap Diameter</b>       | 2-1/8"  |
| <b>Rough-in</b>            | 12"   |
| <b>Trap Seal</b>           | 2-1/8"  |
| <b>Warranty</b>            | One Year Limited Warranty   |
| <b>Material</b>            | Vitreous China  |
| <b>Shipping Weight</b>     | <b>C776CEFGT40</b><br>62 lbs.<br><b>ST786EA</b><br>34 lbs.  |
| <b>Shipping Dimensions</b> | <b>C776CEFGT40</b><br>30-1/8" L x 15-1/4" W1 x 10-7/8" W2 x 17-3/4" H<br><b>ST786EA</b><br>20" L x 9-3/8" W x 15-5/8" H |

See SW3046AT40 Specification Sheet for details on included WASHLET.

### INSTALLATION NOTES

#### Back-to-Back Toilet Installations:

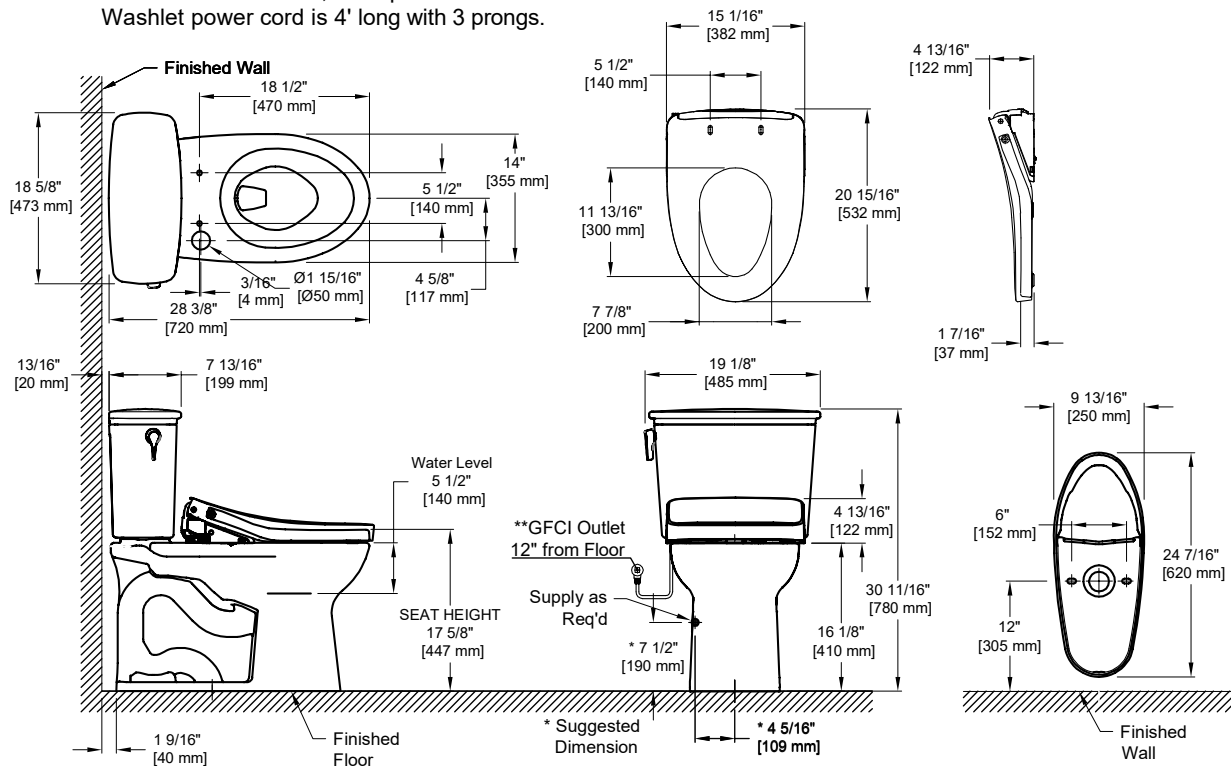
TOTO recommends the use of a nationally listed, double sanitary tee-wye only, in vertical waste stacks, in accordance with the stipulations noted in the majority of nationally recognized plumbing codes.



To maintain adequate wall gap between the back of the tank and wall, mount the floor flange at a nominal 12" rough-in distance.

### DIMENSIONS

\*\*GFCI outlet of 120V, 10amps.  
Washlet power cord is 4' long with 3 prongs.



**TOTO®**

These dimensions and specifications are subject to change without notice