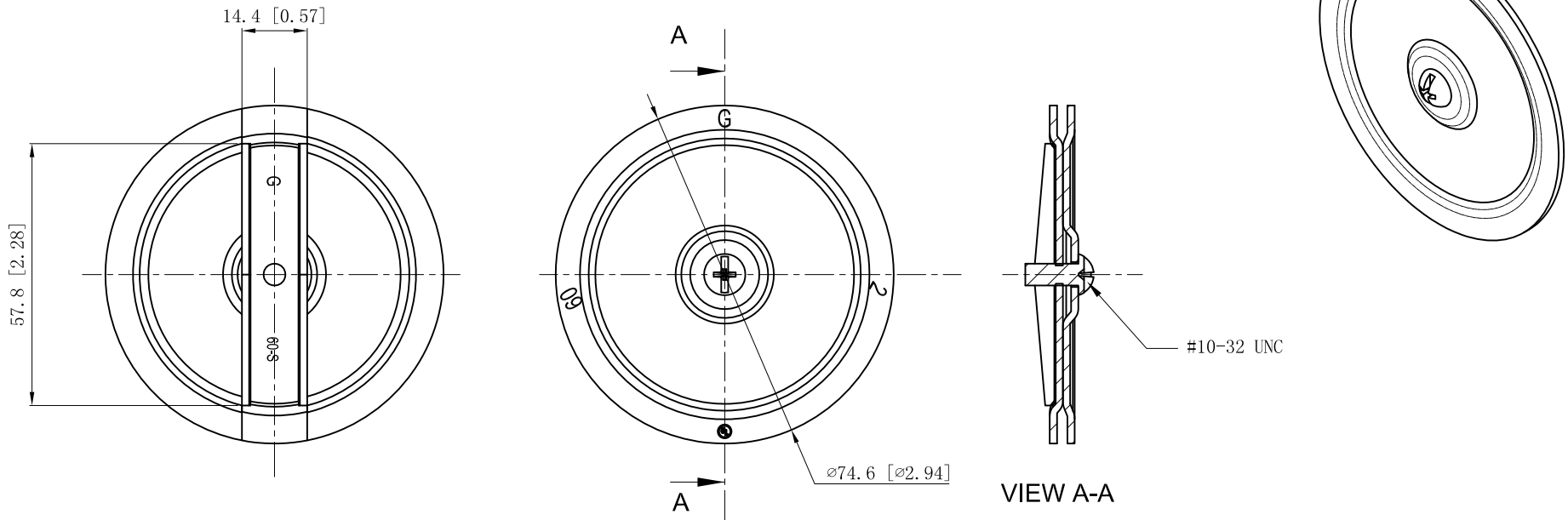


SIDES	BOTTOM
1 PCS 10-32×1/2 Screws Installed	
Material:Steel-0.0625"-C.R.S Zinc Plated	



DESCRIPTION
TRADE REFERENCE TERMS

This data sheet is for reference only .GARVIN INDUSTRIES reserves the right to make changes to the design without prior notice.

STANDARD PACKING	<h1 style="text-align: center;">GARVIN INDUSTRIES</h1> <h2 style="text-align: center;">KNOCKOUT SEALS</h2>		
10 PCS			
	TITLE		
	SIZE	DWG NO.	REV
	A4	KOS-200	A
	DATA SHEET		