

## Neo™ Shower Combination

### MODELS:

- VS-233010: 2.5 GPM (9.5 L/min) flow rate

### FEATURES:

- VS-118 2-way diverter
- VS-3010 Neo Hand shower holder has 5 position settings to adjust hand shower angle
- 60 in. metal hose
- No flow control (flow controls in showerheads)
- 2.5 gpm (9.5 L/min) flow rate

### STOCK FINISHES:



PC BN

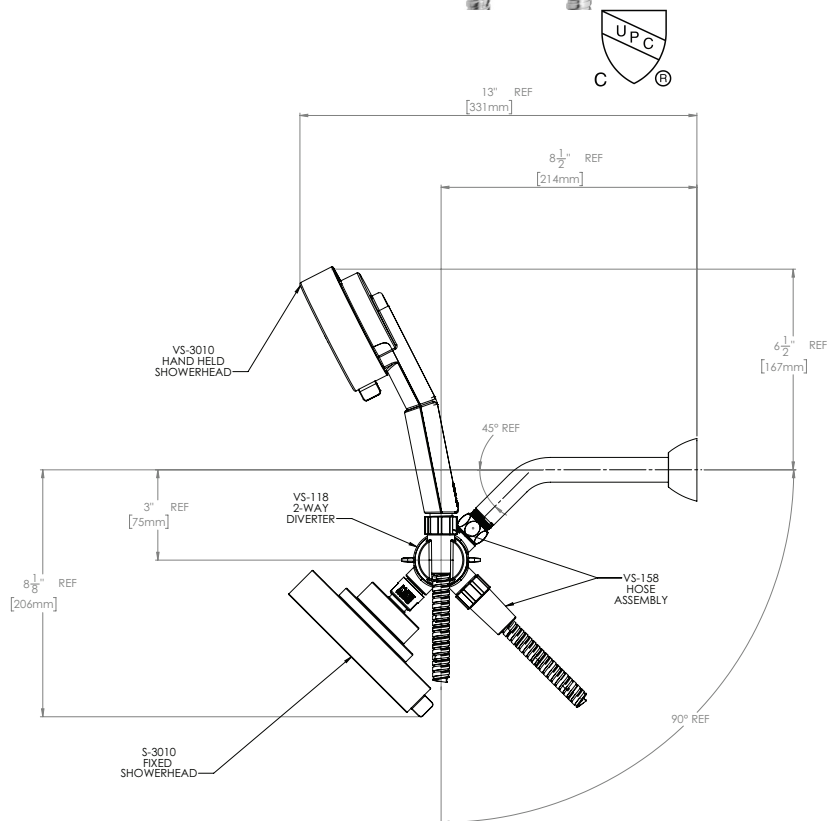
### STANDARDS:

- ASME A112.18.1/CSA B125.1 compliant

### WARRANTY:

Visit [www.speakman.com](http://www.speakman.com) for full product warranty information

- Limited Lifetime Warranty (consumer)
- 1 Year Limited Warranty (commercial)



All dimensions are in inches (millimeters) unless otherwise specified and are subject to change without notice.

Architect/Engineer Approval Space:

P: 800-537-2107  
 F: 800-977-2747  
 W: WWW.SPEAKMAN.COM  
 R: 01-FEBRUARY 2022