

HENNESSY / HARTLAND / CORBETT

24 inch STAINLESS STEEL LAUNDRY CABINET

MODEL # AXCLDYSS-24





Questions, problems, assembly help, missing parts?

No need to return the product, we will gladly help and ship your replacement parts free of charge

Please call Customer Service at 1-866-518-0120 ext. 262

Monday to Friday between 9 am – 4 pm EST

or go to

www.simpli-home.com/parts request

In order to assist you in a timely manner, please have the following information ready:

Model # _____ Part Number or Letter _____

Purchased at _____ Date of Purchase _____

If you wish to return the product, please contact the retailer where the product was purchased.

IMPORTANT: Please read this manual carefully before beginning assembly of this product. Keep this manual for future reference.

SAFETY INFORMATION

Identify all the parts and hardware. Do not discard the packaging until you have checked that you have all of the parts and hardware required. Hardware package may have spare parts.

WARNING: This item contains small parts which can be swallowed by children and pets. Keep children and pets away during assembly. To avoid danger of suffocation, always keep plastic bags away from children and pets. We recommend that you assemble this unit on a carpeted floor to avoid scratches. We do not recommend the use of power tools for assembly as this could damage the unit. Only use manual tools.

Requires 2 people for ease of assembly.

CARE and MAINTENANCE

To clean, use a soft or slightly damp cloth, then wipe with a clean, dry cloth. Dust with a soft dry cloth.

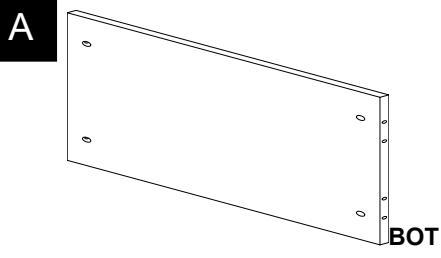
Do not use ammonia-based cleaning products, as they will damage the finish.

Do not leave liquids or damp cloths on this furniture.

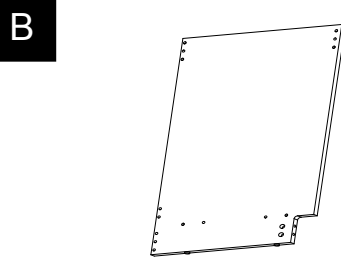
To avoid dulling of the finish, do not place this furniture in direct sunlight.

Please inspect and tighten all screws or bolts on a regular basis to ensure proper performance and safety of your item.

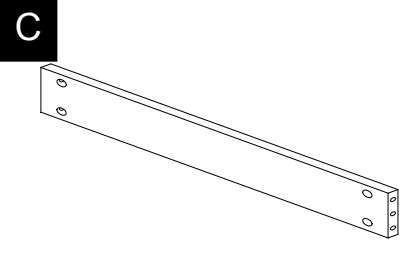
CABINET PARTS



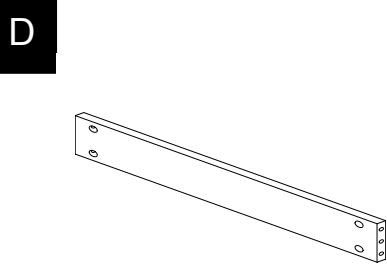
TOM PANEL
QTY 1



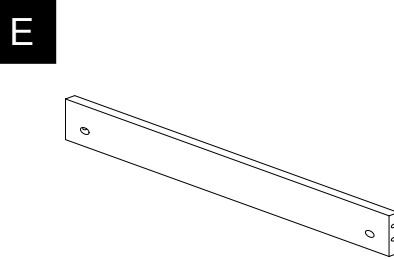
RIGHT SIDE PANEL



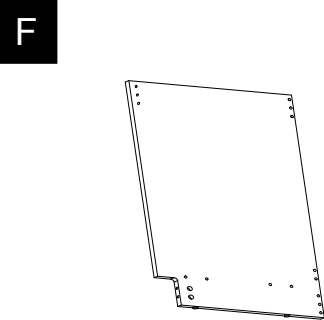
BACK BOTTOM PANEL
QTY 1



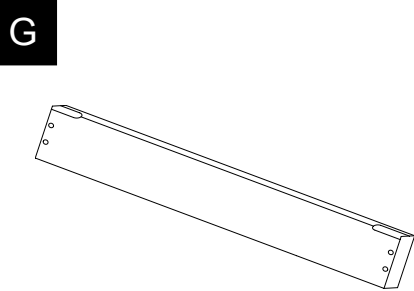
BACK TOP PANEL
QTY 1



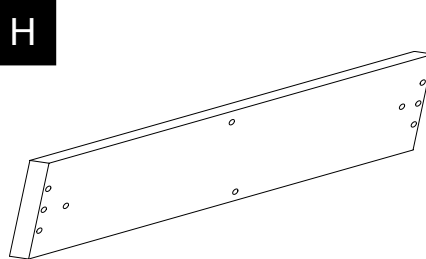
BACK MIDDLE PANEL
QTY 1



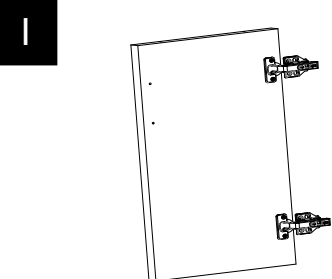
LEFT SIDE PANEL



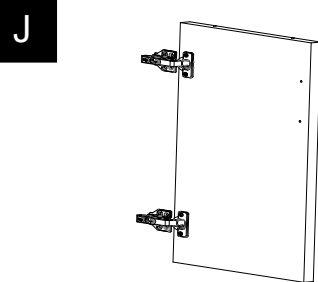
FRONT BOTTOM PANEL
QTY 1



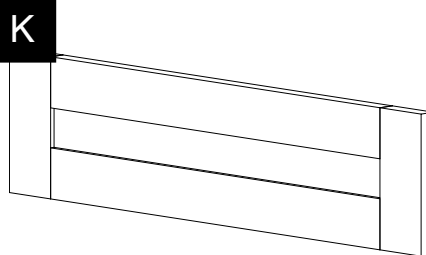
FRONT TOP PANEL
QTY 1



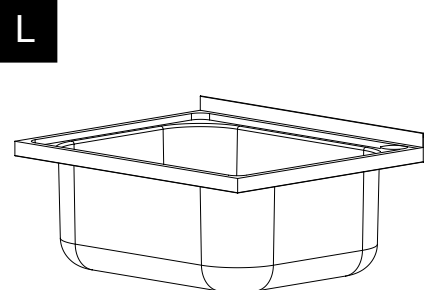
LEFT DOOR
QTY 1



RIGHT DOOR
QTY 1



FRONT PANEL
QTY 1



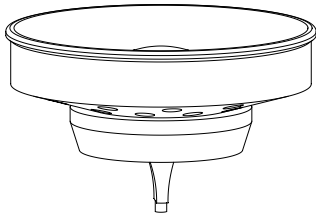
SS SINK
QTY 1

NEED HELP? For help with assembly or if you are missing a part,

Please call customer service at 1-866-518-0120 ext. 262 (9 am to 4 pm EST)

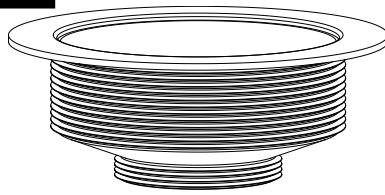
DRAIN PARTS

1



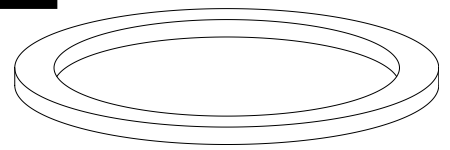
DRAIN PLUG ASSEMBLY
QTY 1

2



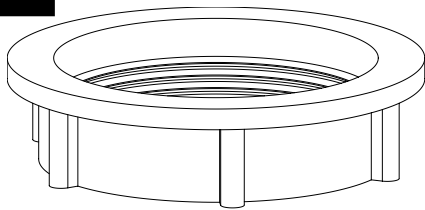
DRAIN BOWL ASSEMBLY
QTY 1

3



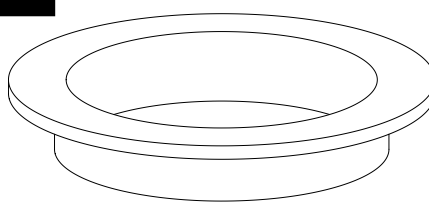
DRAIN WASHER BLACK
QTY 1

4



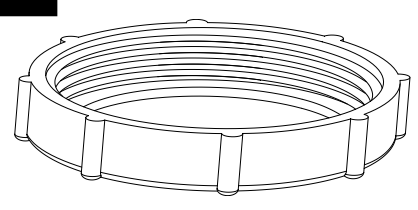
THREAD WASHER
QTY 1

5



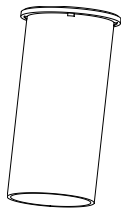
PIPE WASHER
QTY 1

6



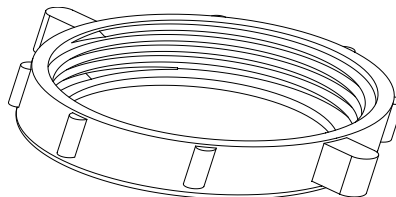
COUPLING BLACK
QTY 1

7



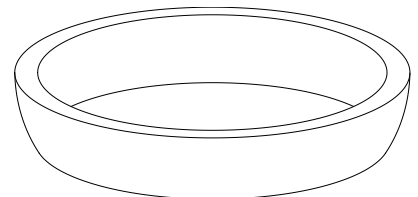
STRAIGHT DRAIN PIPE BLACK
QTY 1

8



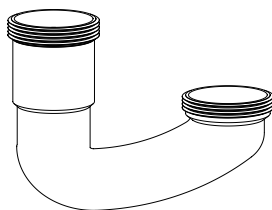
COUPLING BLACK
QTY 2

9



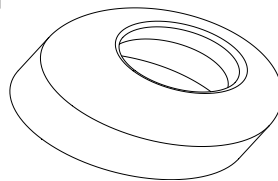
PIPE WASHER WHITE
QTY 1

10



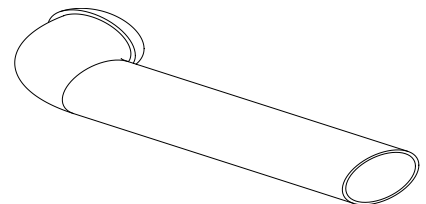
DRAIN CHANNEL BLACK
QTY 1

11



PIPE COVER BLACK
QTY 1

12



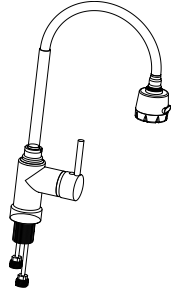
OUTER DRAIN CHANNEL
QTY 1

NEED HELP? For help with assembly or if you are missing a part,

Please call customer service at 1-866-518-0120 ext. 262 (9 am to 4 pm EST)

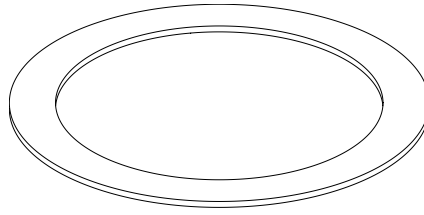
FAUCET PARTS

AA



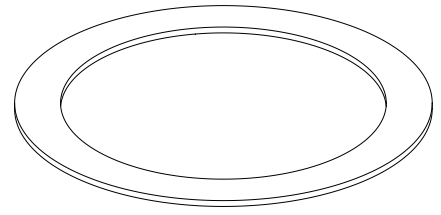
FAUCET BODY
QTY 1

BB



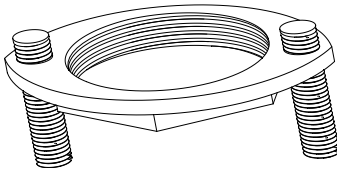
FAUCET WASHER RUBBER
QTY 2

CC



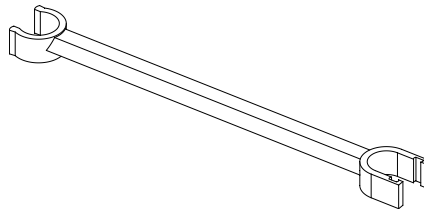
FAUCET WASHER STEEL
QTY 1

DD



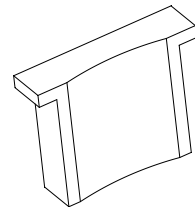
BRASS NUT ASSEMBLY
QTY 1

EE



FAUCET SUPPORT BAR
QTY 1

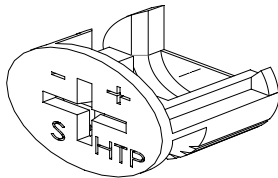
FF



INSERT
QTY 1

HARDWARE PARTS

I



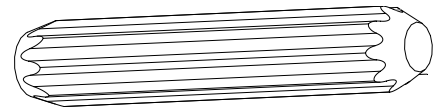
CAM LOCK
QTY 23

II



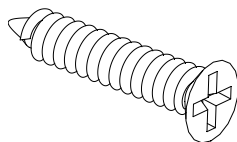
CAM PIN
QTY 23

III



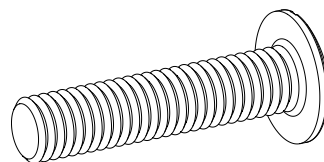
WOOD DOWEL
QTY 13

IV



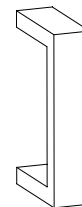
SELF-TAPPING SCREW
M4x25 M4x16
QTY 4 QTY17

V



Pan Head Phillips Screw M4x30
QTY 4

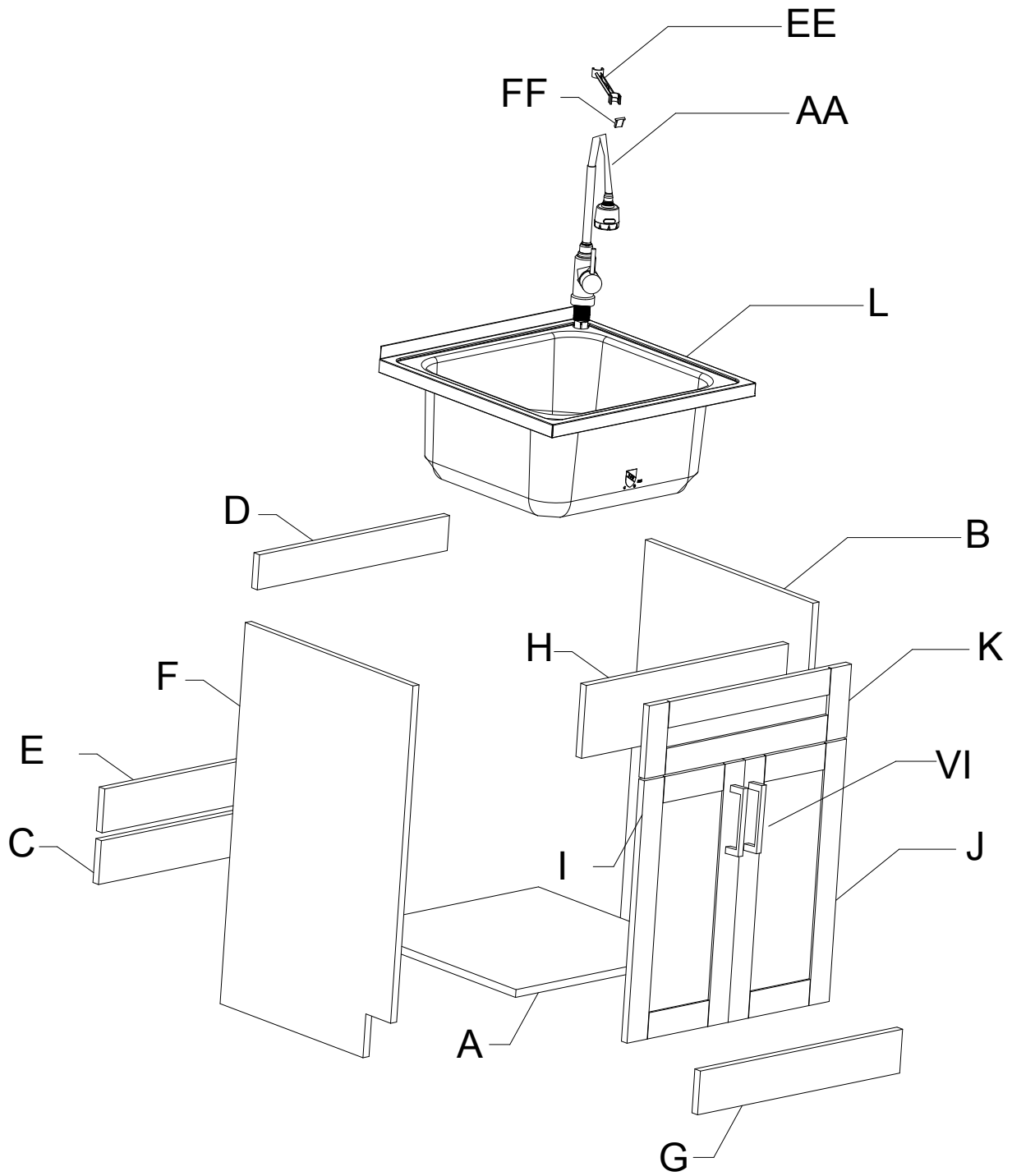
VI



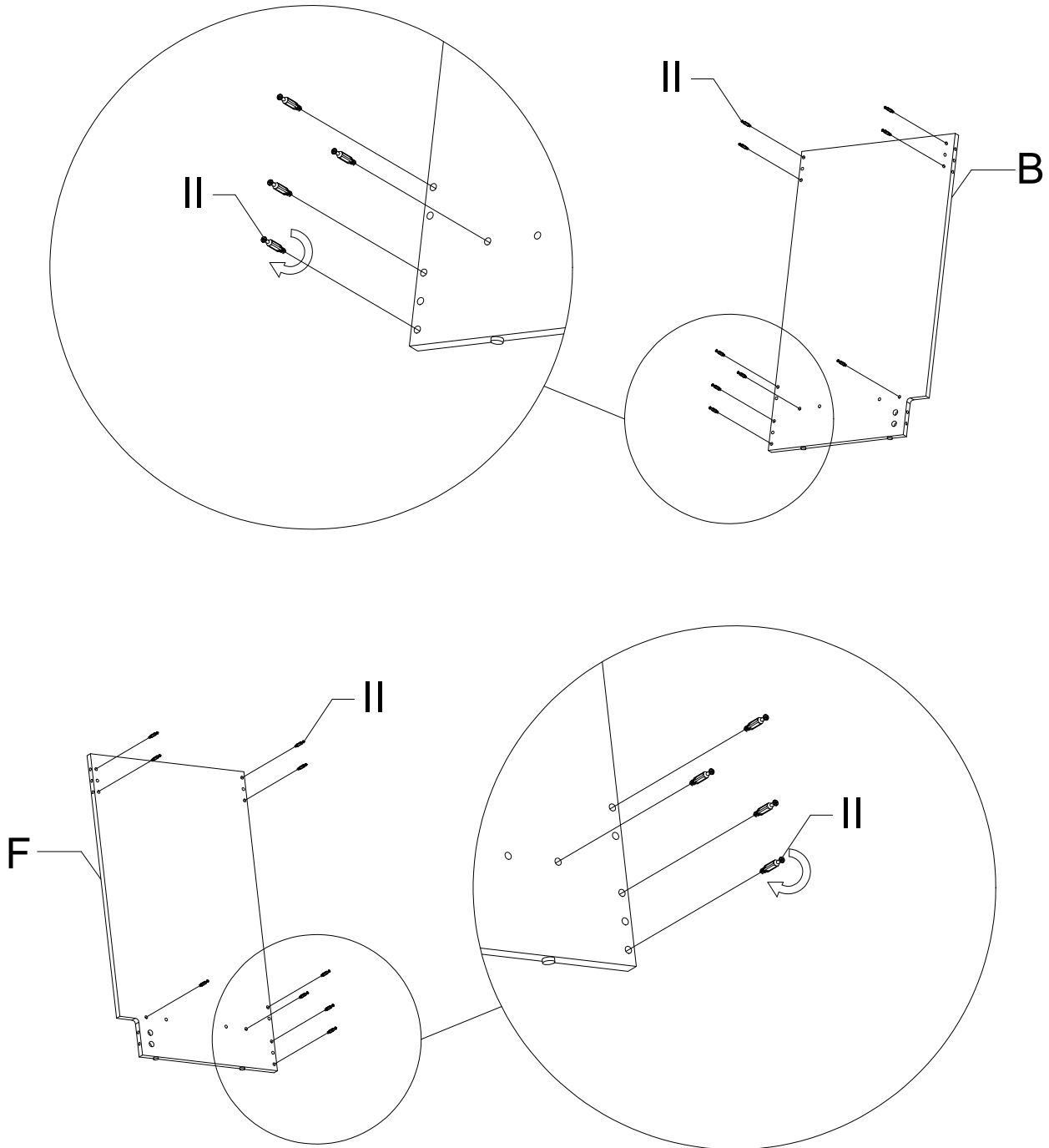
HANDLE
QTY 2

NEED HELP? For help with assembly or if you are missing a part,

Please call customer service at 1-866-518-0120 ext. 262 (9 am to 4 pm EST)



STEP 1

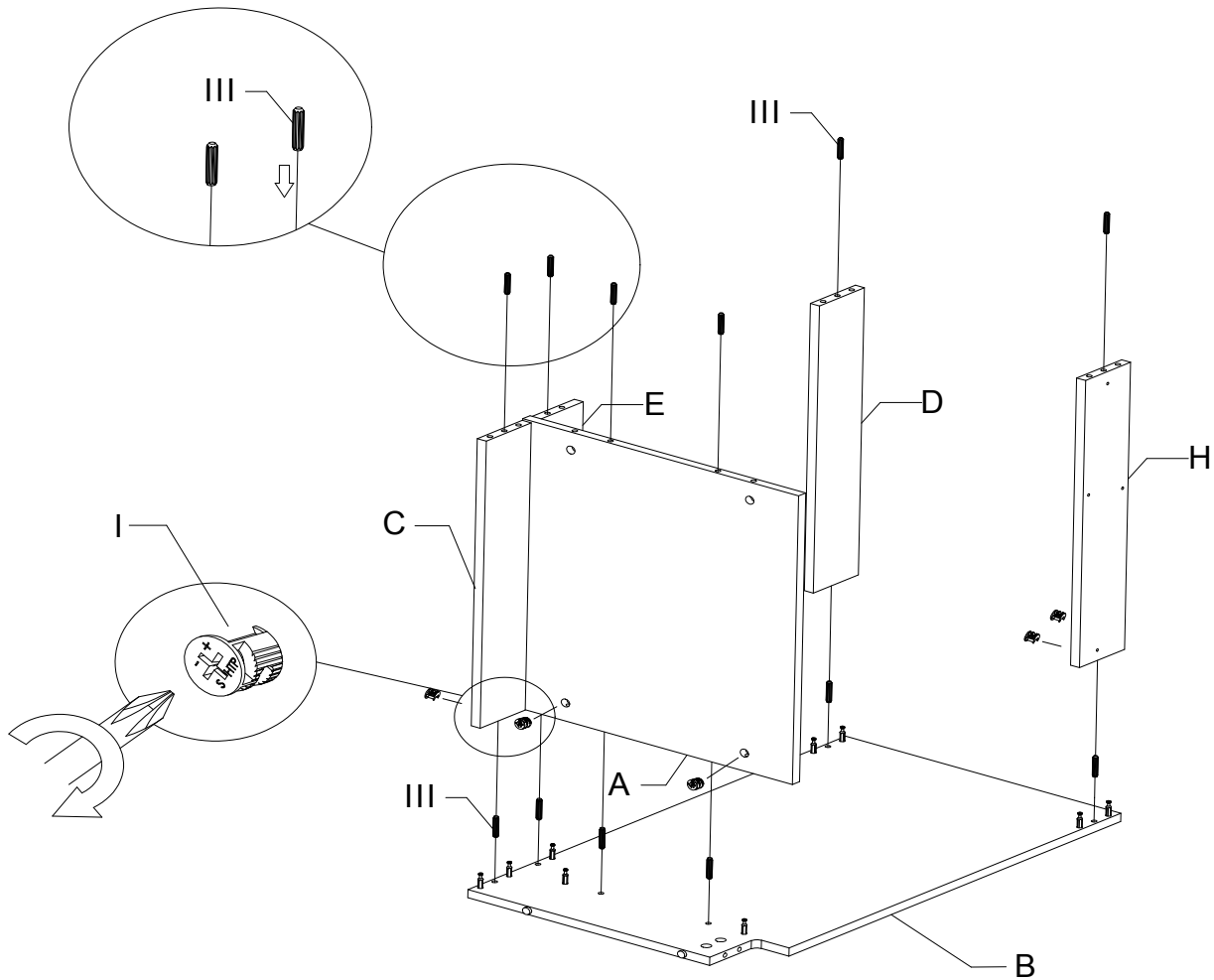


Screw Cam Pins (II) into the pre-drilled small holes on Left Panel(F) and Right Panel(B).

STEP 2



NOTE: THE SCREWDRIVER IS NOT INCLUDED IN THE HARDWARE PACK.



Insert Wood Dowels (III) into the pre-drilled hole of Bottom Panel (A), Back Bottom Panel (C), Back Top Panel (D), Back Middle Panel (E) and Front Top Panel (H).

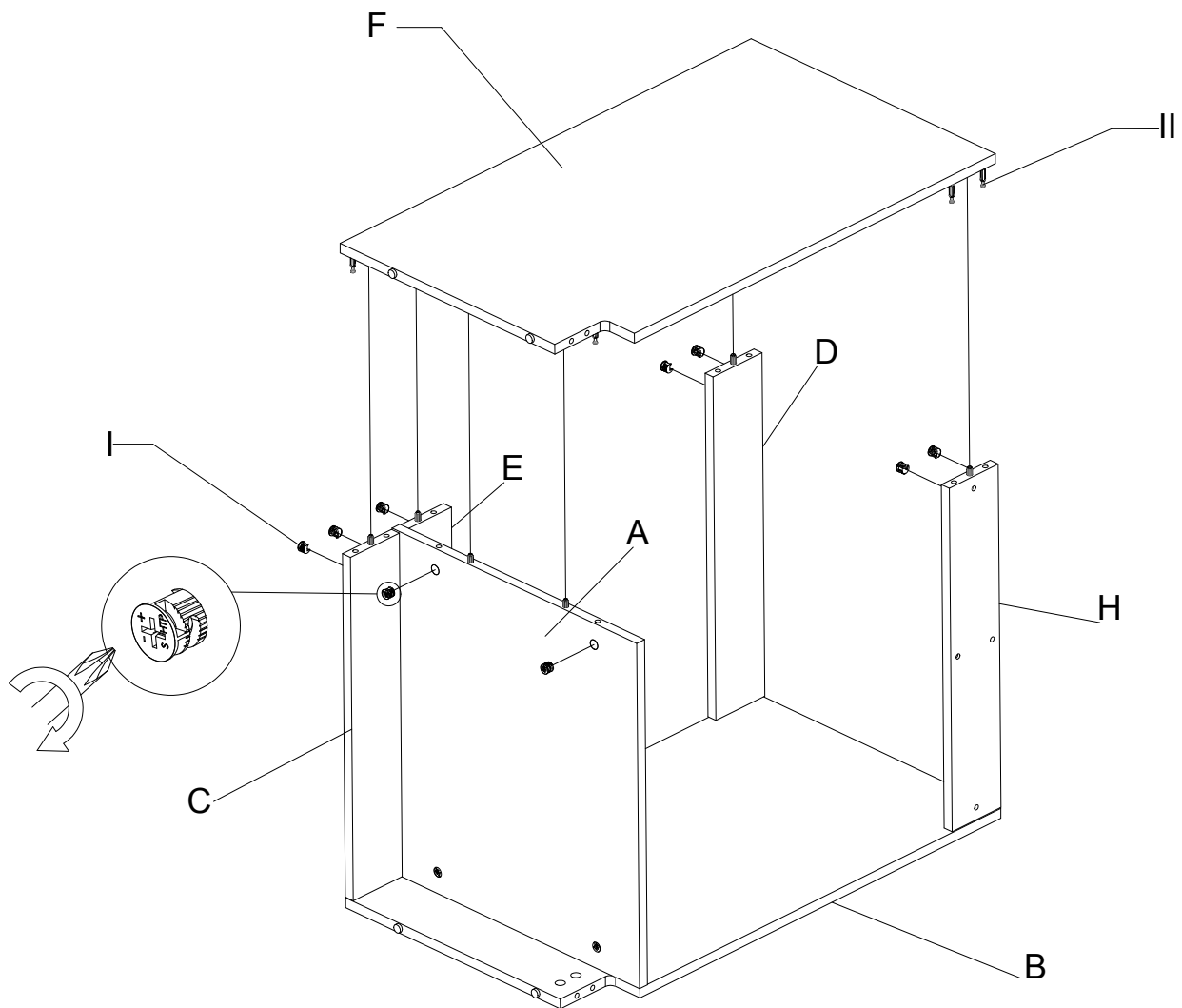
Insert Cam Locks (I) into the pre-drilled hole of Bottom Panel (A), Back Bottom Panel (C), Back Top Panel (D), Back Middle Panel (E) and Front Top Panel (H).

Attach Bottom Panel (A), Back Bottom Panel (C), Back Top Panel (D), Back Middle Panel (E) and Front Top Panel (H) to Right Side Panel (B).

STEP 3

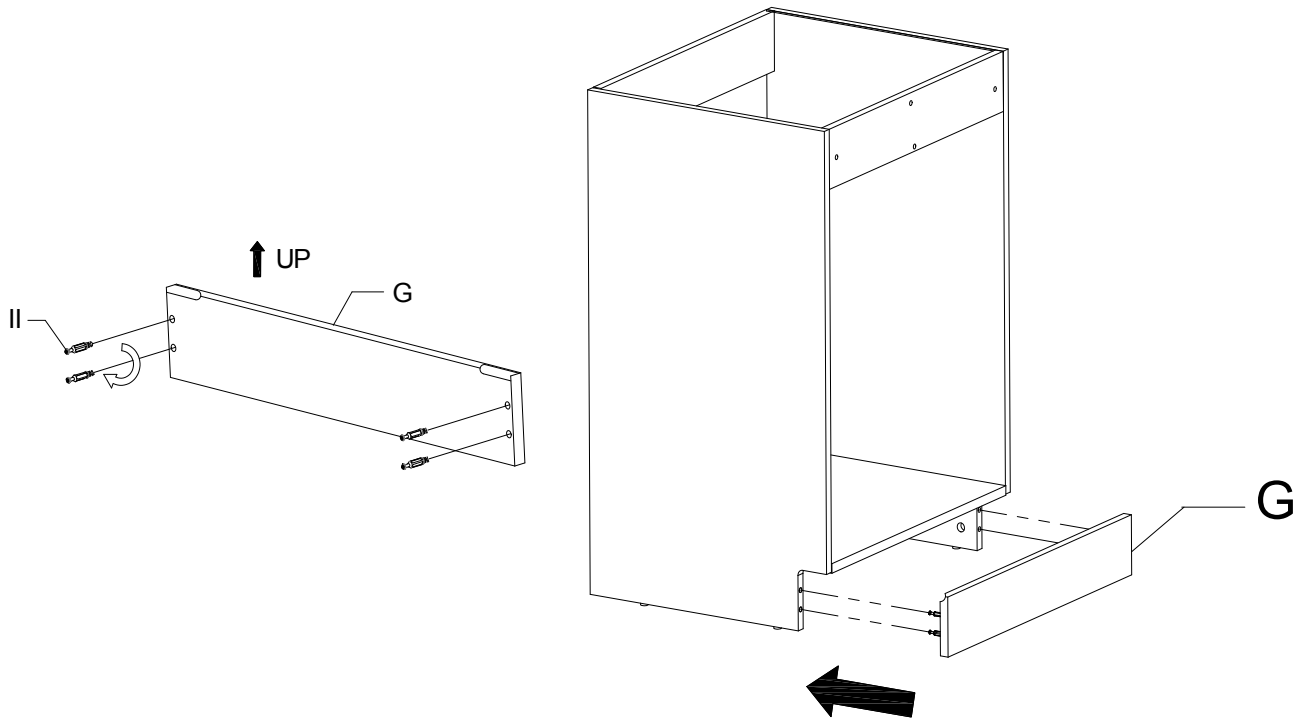


NOTE: THE SCREWDRIVER IS NOT INCLUDED IN THE HARDWARE PACK.



Attach the Left Panel(F) with Cam Pins (II) and Dowels into the pre-drilled holes.
Insert Cam Locks (I) into the pre-drilled hole of Bottom Panel(A), Back Bottom Panel(C),
Back Top Panel(D),
Back Middle Panel(E) and Front Top Panel(H).
Tighten with flathead screwdriver.

STEP 4

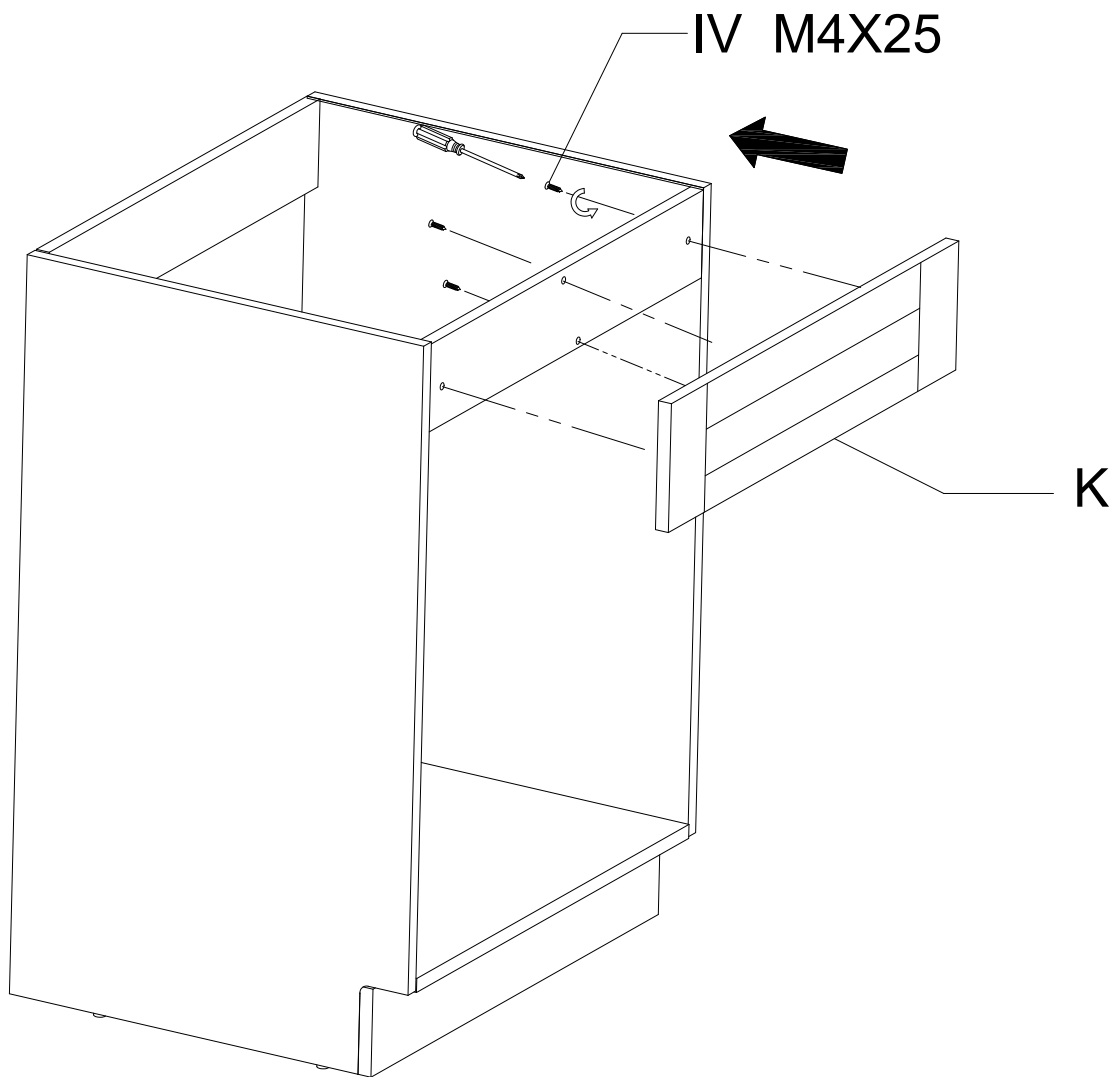


Screw Cam Pins (II) into the pre-drilled small holes on Kick Plate Panel(G).
Insert Cam Pins (II) into the pre-drilled holes on both Side Panels.
Insert Cam Locks (1) into pre-drilled holes on both Side Panels.
Tighten with flathead screwdriver.

STEP 5



NOTE: THE SCREWDRIVER IS NOT INCLUDED IN THE HARDWARE PACK.

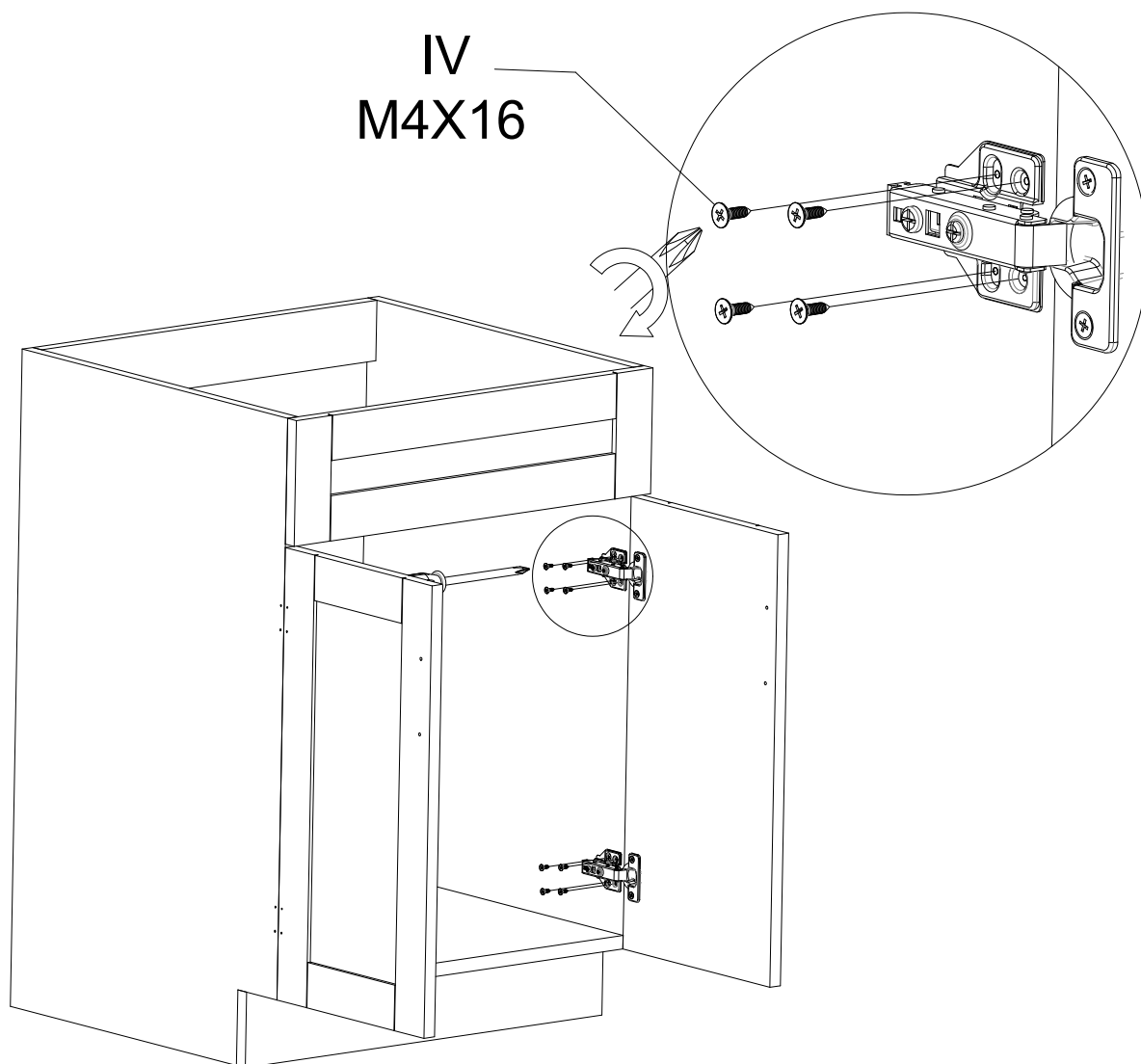


Use Phillips Screwdriver to attach the Front Panel(K) with Self-Tapping Screw (IV) M4x25.

STEP 6

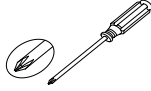


NOTE: THE SCREWDRIVER IS NOT INCLUDED IN THE HARDWARE PACK.

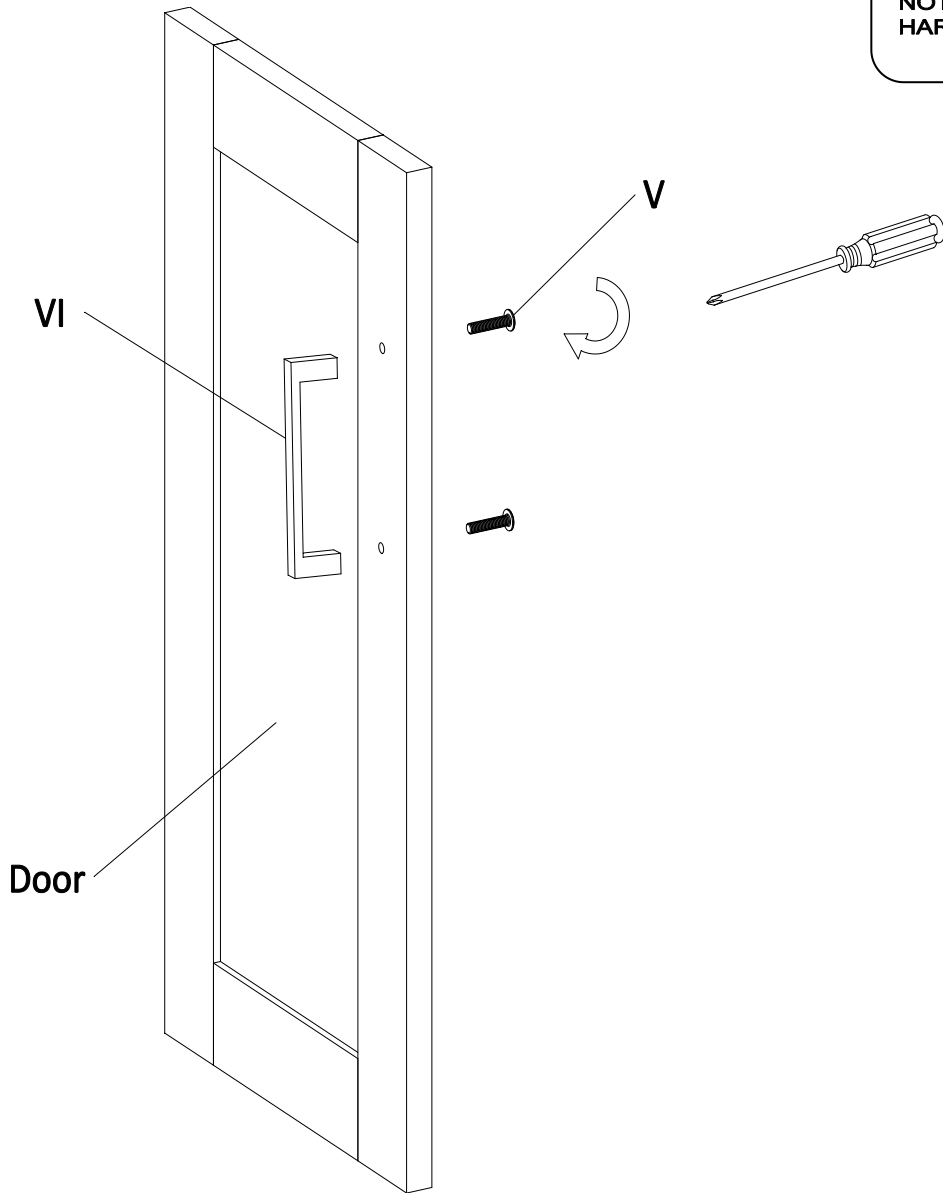


Use Phillips Screwdriver to attach the Right door hinges with Self-Tapping Screw (IV) M4x16.
Use Phillips Screwdriver to attach the Left door hinges with Self-Tapping Screw (IV) M4x16.

STEP 7

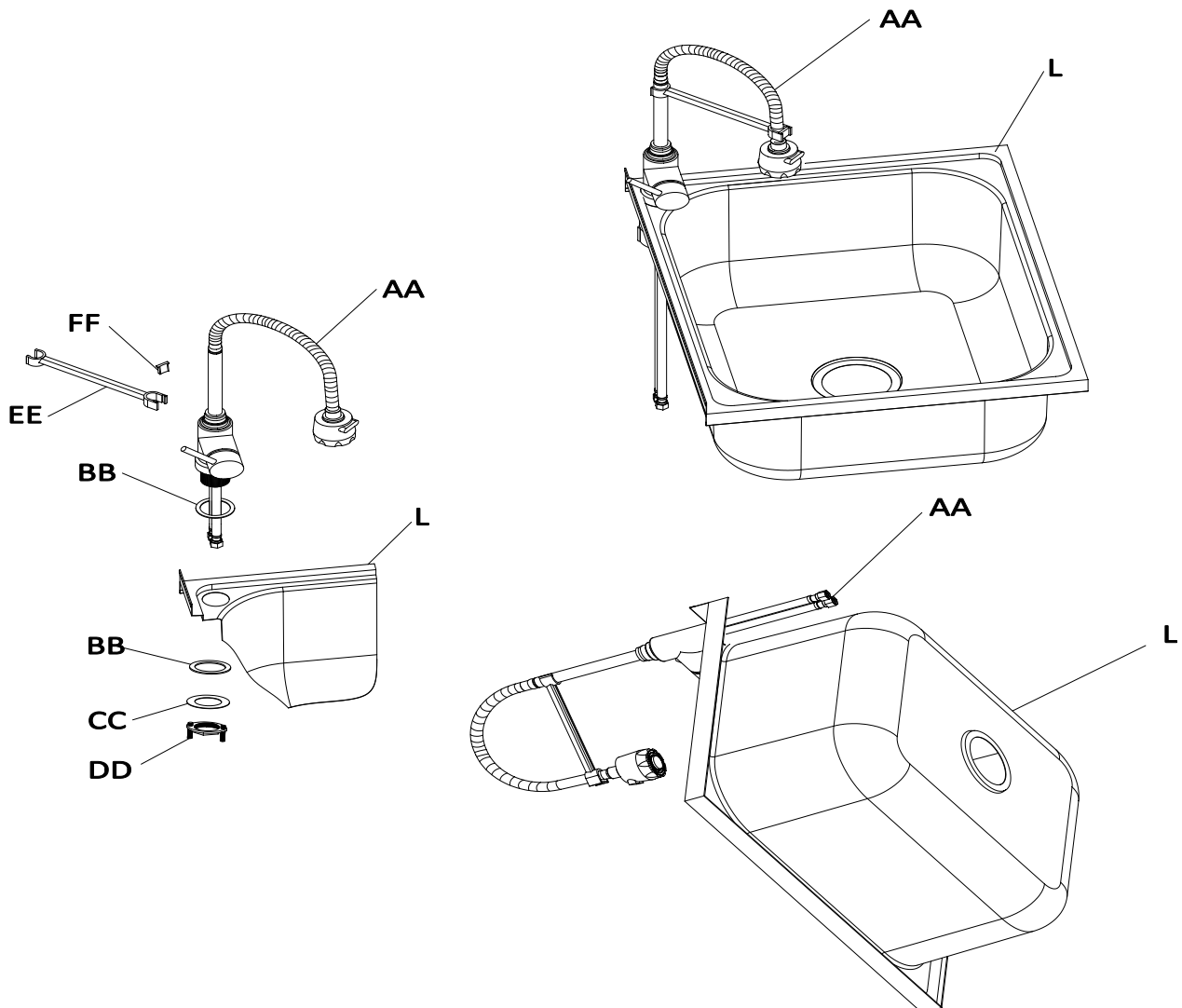


NOTE: THE SCREWDRIVER IS NOT INCLUDED IN THE HARDWARE PACK.



Use Phillips Screwdriver to screw the Handle (VI) with Pan Head Philips Screws (V) M4x30.

STEP 8

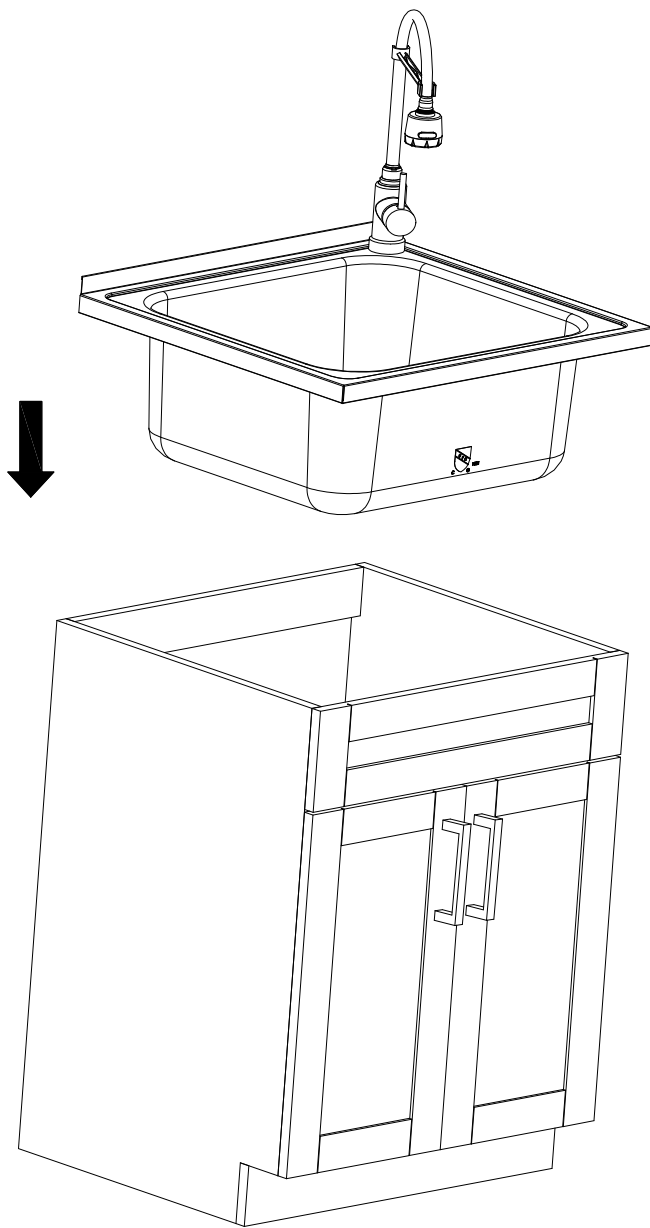


Place a Rubber Washer (BB) onto the end of the Faucet (AA) and insert the faucet through the top of the Sink (L).

From underneath the Sink (L), secure the Faucet (AA) to the Sink (L) using a Rubber Washer (BB), Steel Washer (CC) and Brass Nut Assembly (DD).

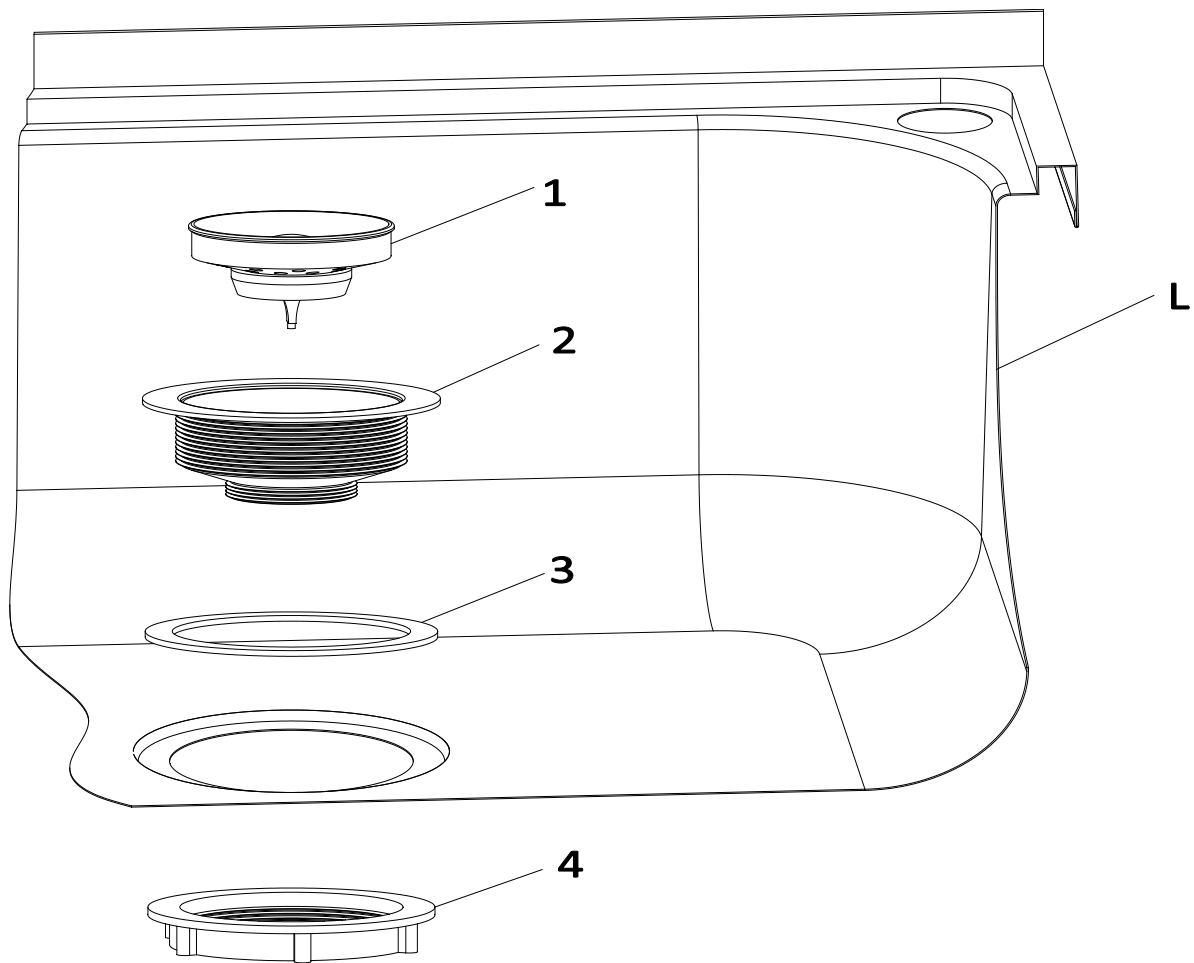
Clip the Faucet Support Bar (EE) onto the neck of Faucet (AA) and use Insert (FF) on the back of Faucet (AA) neck to hold it in place.

STEP 9



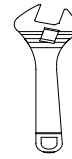
Place the Sink (L) with the attached Faucet (AA) on top of the cabinet.

STEP 10

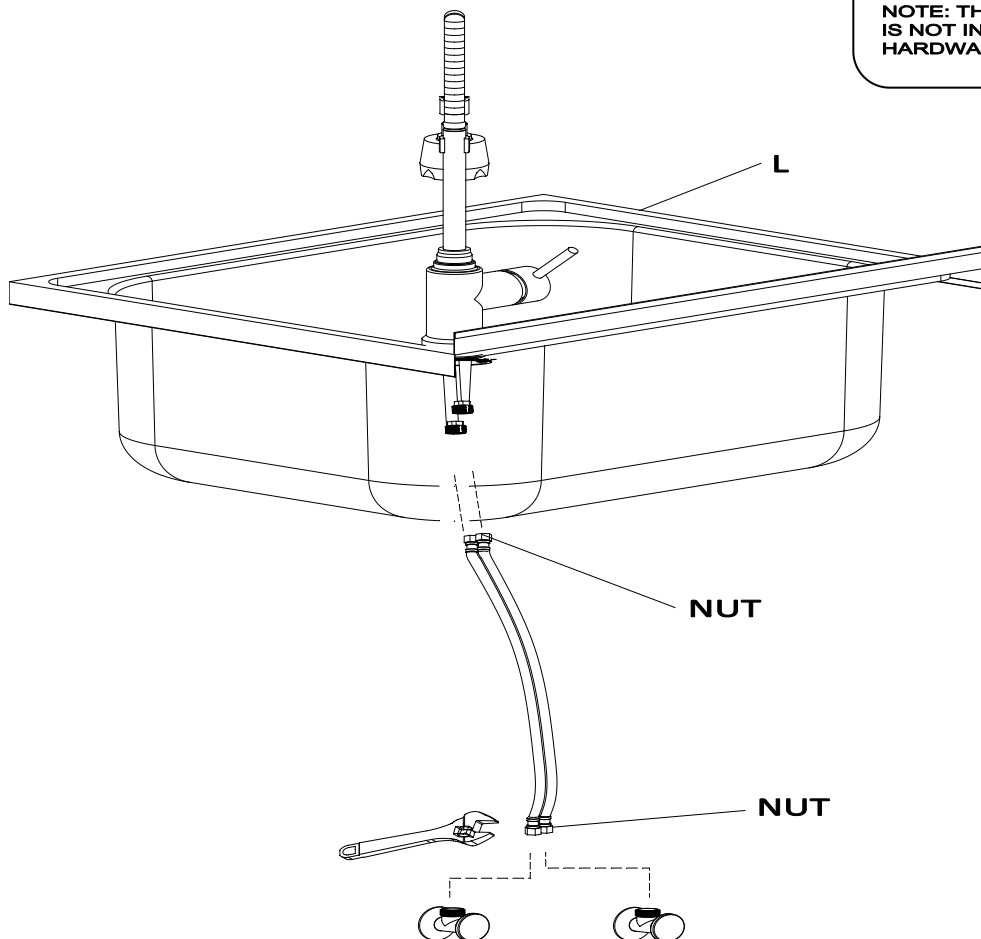


Put the Drain Washer (3) on the top of the drain opening in the Sink (L).
Put the Drain Bowl (2) on the Drain Washer (3) through the drain opening.
From underneath the sink fasten the Threaded Washer (4) onto the Drain Bowl (2) and tighten.
Insert the Drain Plug (1) into the Drain Bowl (2).

STEP 11



NOTE: THE ADJUSTABLE WRENCH IS NOT INCLUDED IN THE HARDWARE PACK.



Fasten the nuts of the hoses (not included in package) to the nut ends of the faucet body.

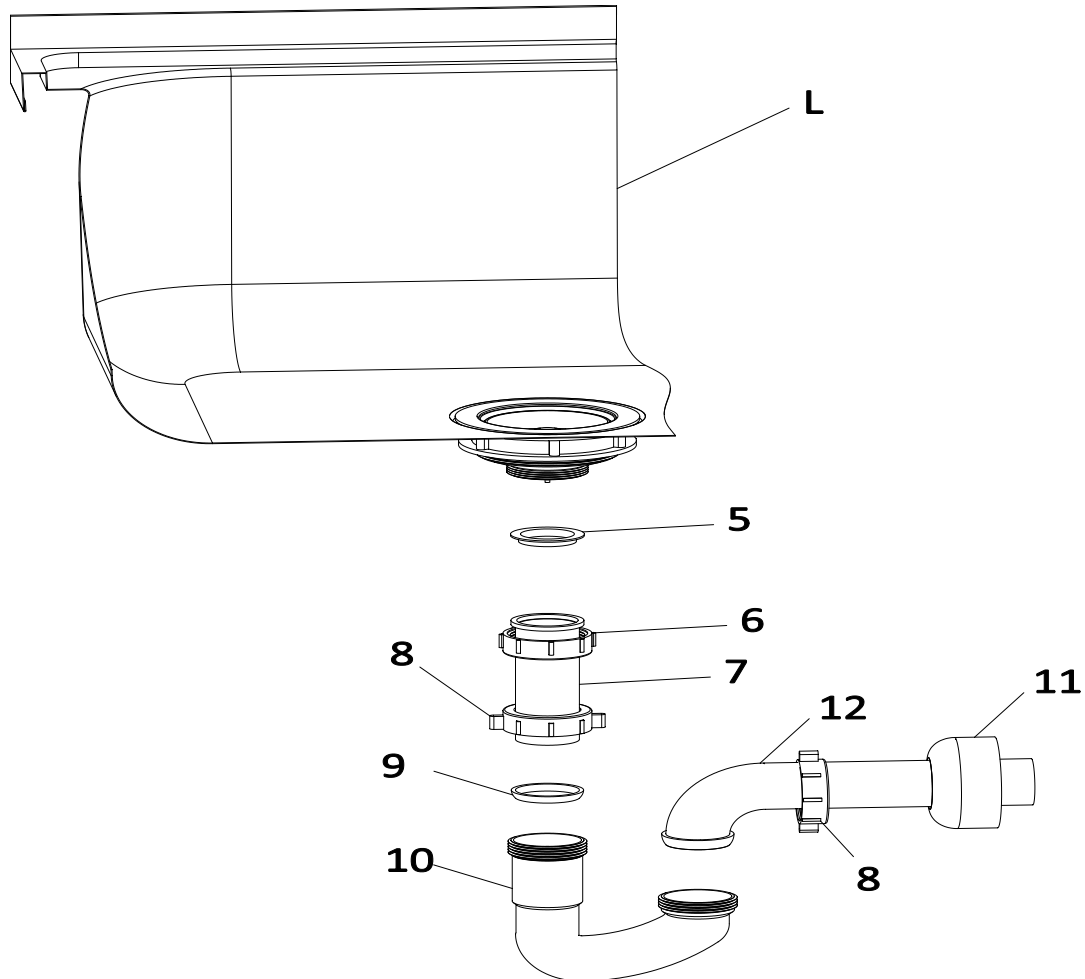
Fasten the nuts of the hoses (not included in package) to the water outlet:

- Red striped hose to Hot water supply
- Blue striped hose to Cold water supply

Ensure to only tighten the nut and not twist the supply hose.

Leakage may occur if hoses are twisted.

STEP 12



Put a Pipe Washer (5) onto the Straight Drain Pipe (7).

Connect the Straight Drain Pipe (7) to the drain and fasten the Coupling (6).

Put the Coupling (8) into the Straight Drain Pipe (7) and put a Pipe Washer (9) into the Straight Drain Pipe (7).

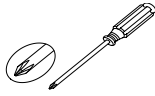
Connect the drain channel (10) to the straight drain pipe (7) and fasten with the coupling (8).

On the Drain Channel (10), wrap teflon tape (not included) around the threaded end that connects to the Outer Drain Channel (12).

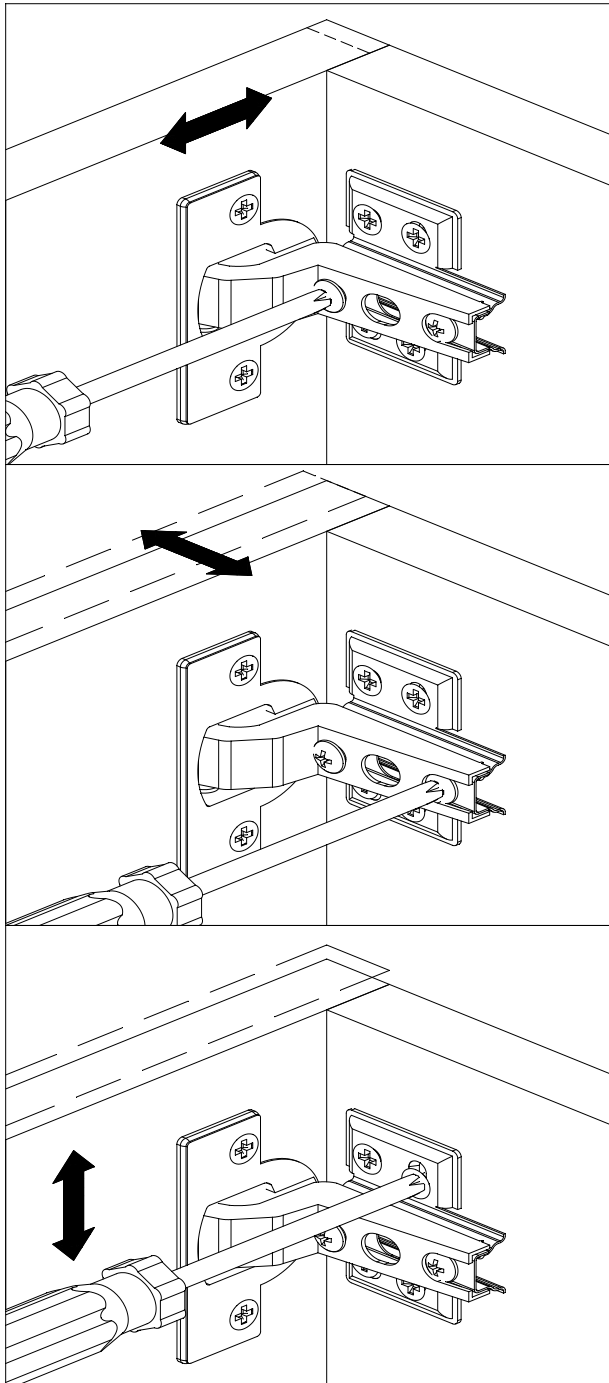
Connect the Outer Drain Channel (12) to the Drain Channel (10) and fasten with the Coupling (8).

Insert the Outer Drain Channel (12) into the Drain Channel (10) and cover with the Pipe Cover (11).

STEP 13



NOTE: THE SCREWDRIVER IS NOT INCLUDED IN THE HARDWARE PACK.



Use a Phillips screwdriver to re-align or adjust the hinges that attach the doors to the cabinet.



WARRANTY

Thank you for purchasing a **Simpli Home – Wyndenhall – Brooklyn + Max** product. These products have been made to demanding, high-quality standards and are guaranteed for domestic use against manufacturing faults for a period of 12 months from the date of purchase. This warranty does not affect your statutory rights.

In case of any malfunction of your product (failure, missing parts, etc.) please contact us at our toll free service line at 1-866-518-0120 ext.262 from 9 am to 4 pm, Monday to Friday, Eastern Standard Time or by email at customerservice@simpli-home.com.

We reserve the right to repair or replace the defective product, at its discretion.

This product is guaranteed for 12 months if used for normal purposes. Any warranty is invalid if the product has been overloaded or subject to neglect, improper use or an attempted repair by other than an authorized agent. Heavy-duty or daily professional/commercial usage are not guaranteed.

Due to continuous product improvement, we reserve the right to change the product specifications without prior notice.