

Installation and Care Guide

Apron-Front Kitchen Sink

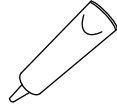
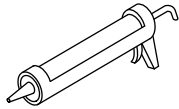
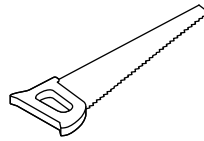
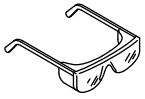
20243

Français, page “Français-1”
Español, página “Español-1”



1307771-2-A

Tools and Materials



Construction
Adhesive

100% Silicone
Sealant

Plus:

- 2x4s
- Screws

Important Information

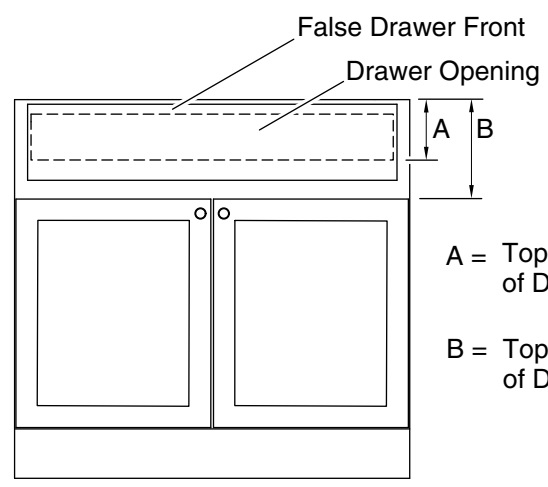
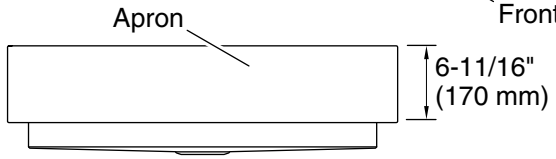
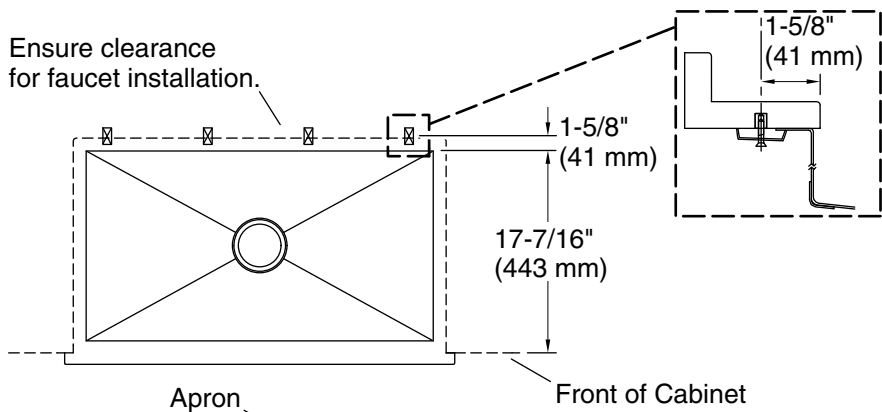
IMPORTANT! Refer to the "Roughing-In" section for cabinet dimensional requirements.

IMPORTANT! This sink must be installed prior to the installation of the countertop. Cut-line is based from the front face of the cabinet.

IMPORTANT! Long screws may damage adjacent cabinets. Ensure the screws are long enough to secure the support framing, but short enough not to extend through the walls of adjacent cabinets.

- Due to the nature of under-mount installations, Kohler Co. recommends that under-mount sink installations be performed by trained and experienced installers.
- This sink is intended for installation into a standard framed 36" base cabinet.
- Anchors and fasteners to be provided and installed by the countertop manufacturer.
- Observe all local plumbing and building codes.

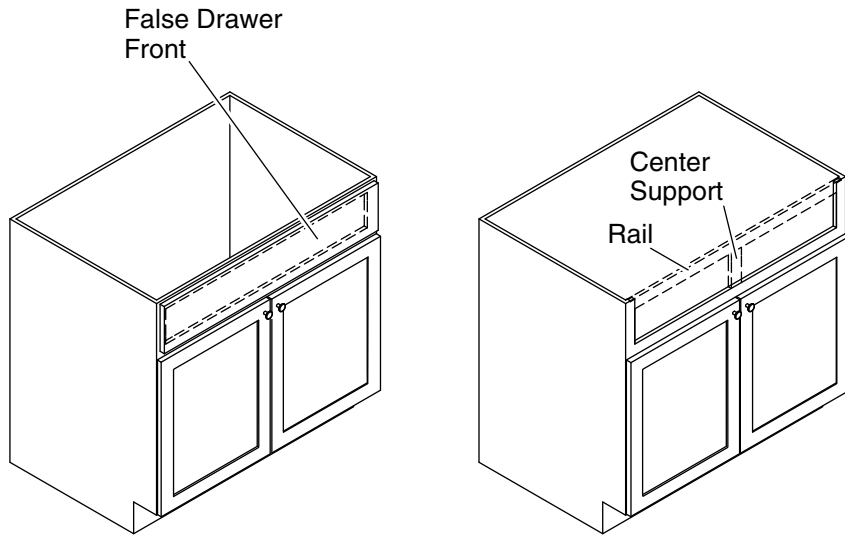
Ensure clearance for faucet installation.



A = Top of Cabinet to Bottom of Drawer Opening
B = Top of Cabinet to Top of Doors

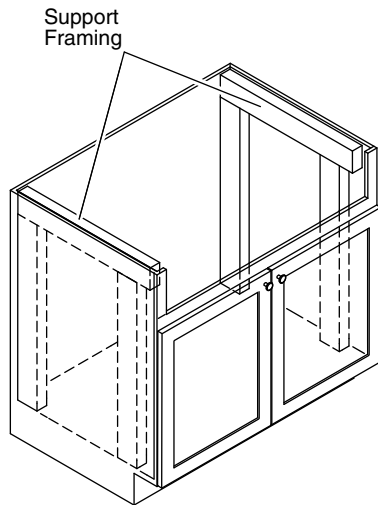
IMPORTANT! Before installing this sink, verify the opening height (A) is less than the apron height and the distance to the top of the doors (B) is greater than the apron height.

Roughing-In



1. Prepare the Cabinet

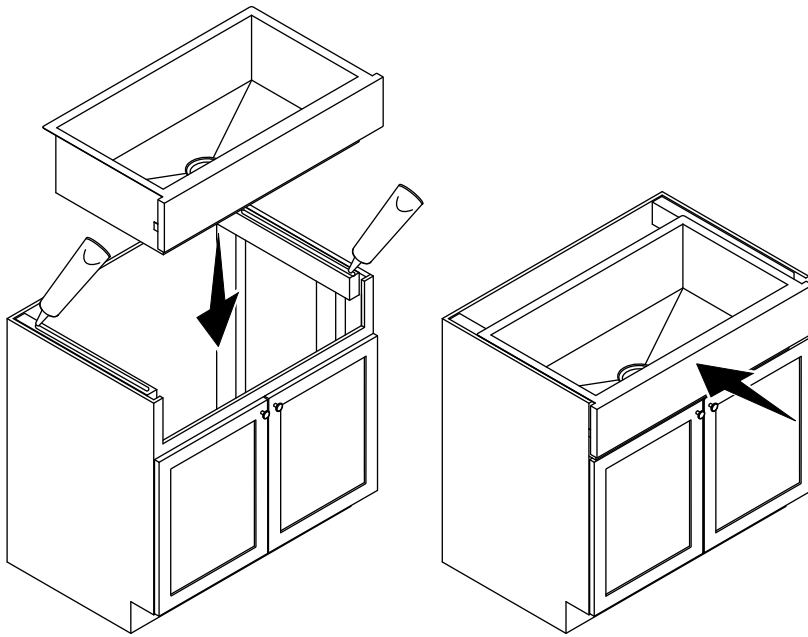
- Remove the false drawer front from your cabinet. Use care not to damage the cabinet.
- Carefully cut away the top rail and center support.



2. Install Support Framing

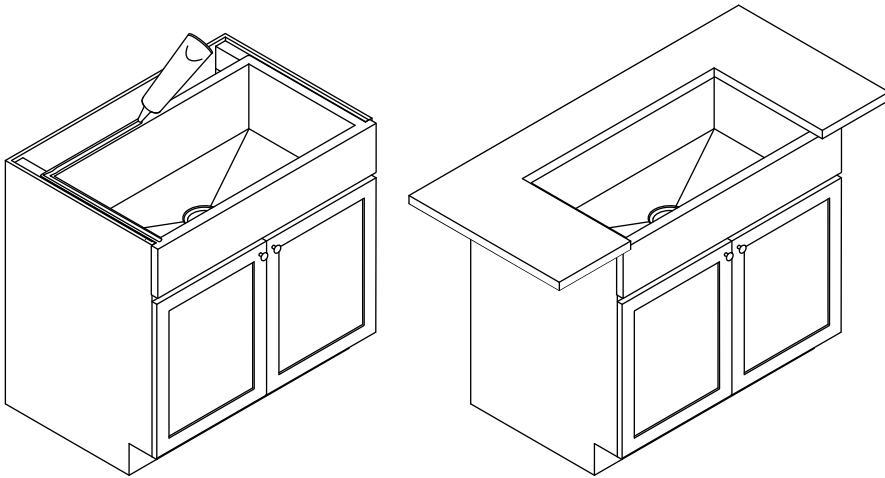
NOTICE: For proper countertop installation, the top of the sink must not extend above the top of the cabinet.

- ❑ Using 2x4s, construct support framing to extend along the inside walls on each side of the base cabinet.
- ❑ Measure and mark the support mounting locations; ensure the sink rim will sit at or slightly below the top of the cabinet.
- ❑ Position and level the support framing.
- ❑ Secure the support framing with construction adhesive and screws (not provided).
- ❑ Cut four lengths of support framing from 2x4s to extend from the bottom of the installed supports to the floor of the cabinet.
- ❑ Secure the vertical supports with construction adhesive and screws (not provided).



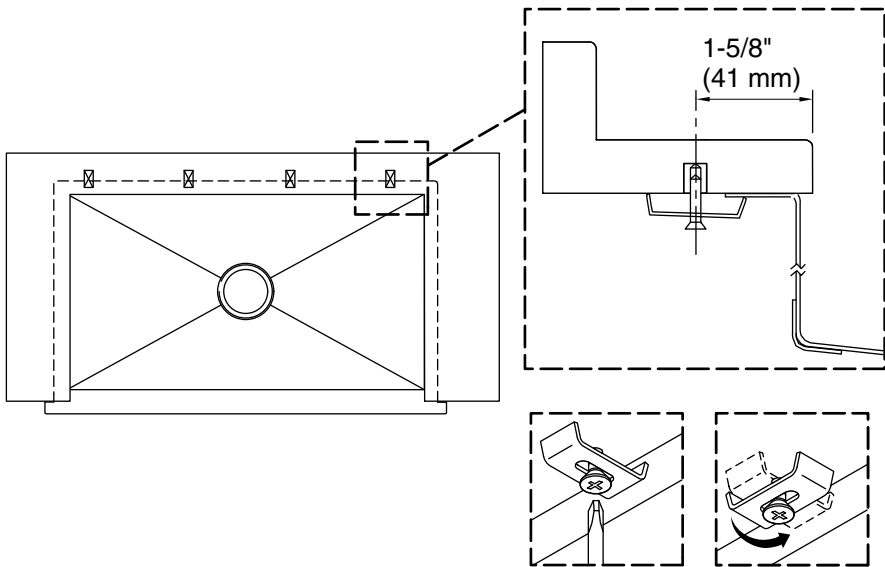
3. Install the Sink

- Lower the sink into the cabinet. Verify the sink is supported by the frame.
- Verify the sink is level, make any adjustments, and shim as needed.
- Remove the sink.
- Apply a bead of silicone sealant to the top of each support.
- Lower the sink onto the supports and push in to ensure the apron is flush to the front of the cabinet.



4. Install the Countertop

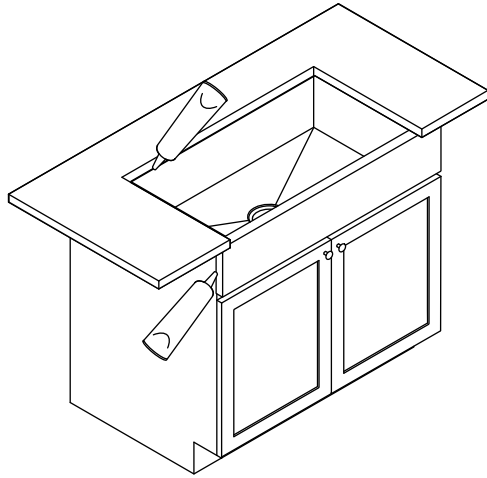
- Apply a bead of silicone sealant around the sides and back of the sink.
- Install the countertop.



5. Secure the Sink

NOTE: Anchors are pre-installed by the countertop manufacturer.

- Install the clips to the countertop. Ensure each clip engages the rim of the sink. Tighten the clips evenly.



6. Seal the Countertop and Cabinet

- Apply a thin bead of silicone sealant where the sink meets the countertop and cabinet.
- Immediately wipe away any excess sealant.

Care and Cleaning Instructions

For best results, keep the following in mind when caring for your STERLING product:

- Clean stainless steel at least once a week.
- Always apply stainless steel cleaner/polish with a non-abrasive cloth or sponge, working with, not across, the grain.
- Do not use steel wool, wire brushes or abrasive sponge pads.
- Cleaners containing chloride are not recommended. If used, rinse the surface immediately to prevent corrosion.

For detailed cleaning information and products to consider, visit www.sterlingplumbing.com/care-and-cleaning. To order Care &

Care and Cleaning Instructions (cont.)

Cleaning information, call 1-800-456-4537.

Warranty

Stainless Steel Sinks deeper than 6"- LIFETIME LIMITED

Stainless Steel Sinks less than or equal to 6" deep - 5 YEARS LIMITED

Based on the classification specified above, STERLING stainless steel sinks deeper than 6" are warranted to be free of manufacturing defects for as long as the original consumer purchaser owns his/her home; STERLING stainless steel sinks less than or equal to 6" in depth are warranted to be free of manufacturing defects for 5 years from the date of sale.

Kohler Co. will, at its election, repair, rectify or replace a fixture when inspection by Kohler Co. discloses any such defects occurring in normal usage within the time period of coverage stated above. Kohler Co. is not responsible for removal or installation costs where replacement is indicated. Damages due to improper handling, installation or maintenance are not considered manufacturing defects and are not covered by this warranty. This warranty is valid for the original, consumer purchaser only.

To obtain warranty service, contact Sterling, either through your plumbing contractor, home center, wholesaler or dealer, or by calling or writing Sterling, Consumer Services, 444 Highland Drive, Kohler, Wisconsin 53044, 1-800-783-7546.

TO THE EXTENT PERMITTED BY LAW, ALL IMPLIED WARRANTIES INCLUDING THOSE OF MERCHANTABILITY AND FITNESS FOR A PARTICULAR PURPOSE ARE HEREBY DISCLAIMED. KOHLER CO. AND SELLER HEREBY DISCLAIM ANY LIABILITY FOR SPECIAL, INCIDENTAL, OR CONSEQUENTIAL DAMAGES. Some states/provinces do not allow limitations on how long an implied warranty lasts, or the exclusion or limitation of special, incidental or consequential damages, so these limitations and exclusions may not apply to you. This warranty gives you specific legal rights. You may have other rights which vary from state/province to state/province.

This is the exclusive written warranty for Kohler Co.