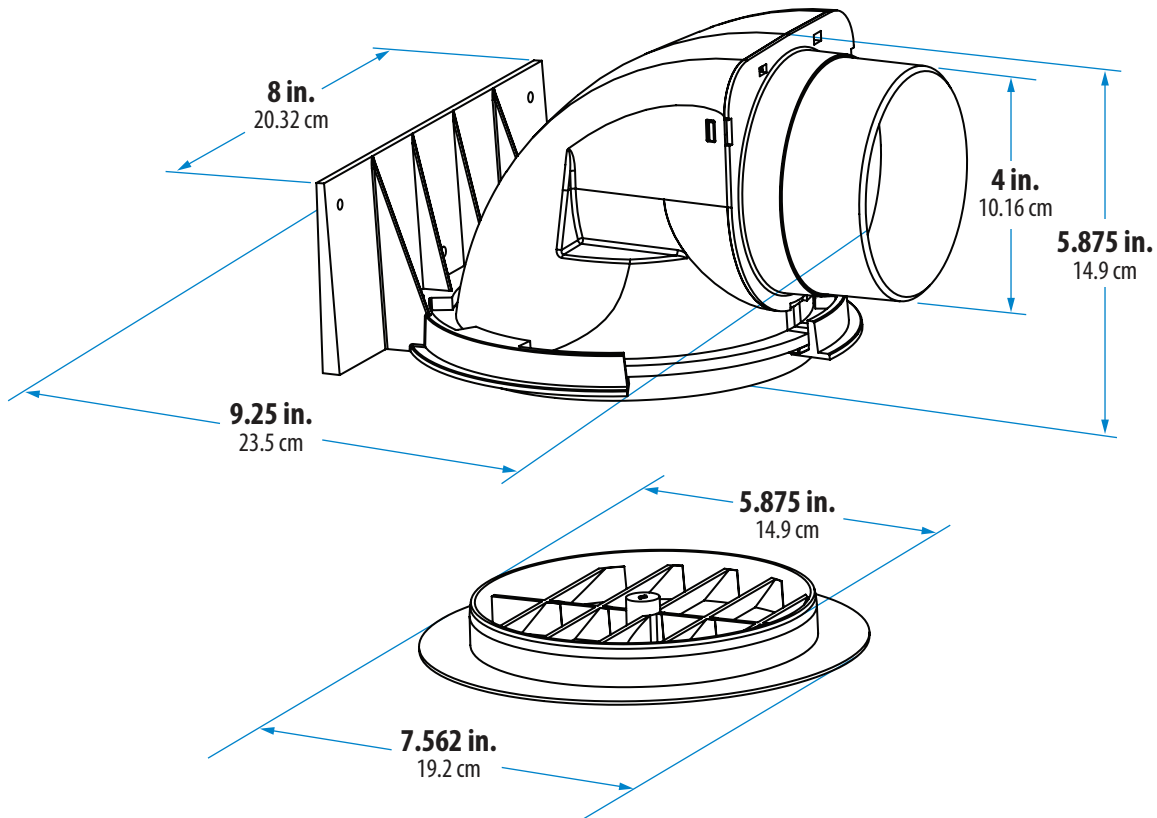


For use with 4 in. diameter ducting



| | |
|-----------------------------------|----------|
| Duct Diameter | 4 in. |
| HVI Certified | Yes |
| ISO 9001 Certified | Yes |
| Internal Backdraft Damper | Yes |
| Grill Rotation | 360° |
| Grill Size (sq. in..) | 7.56 |
| Product Length | 9.38 in. |
| Product Height | 6.00 in. |
| Product Width | 8.00 in. |
| Duct Adaptor Rotation | 180° |
| Made in USA | Yes |
| Master Carton Gross Weight (lbs.) | 1.3 |