

SINCE 1839

BRINLY

SINCE 1839

BRINLY

OWNER'S MANUAL

PUSH SPIKE AERATOR

MODEL:

PSA-18BH

PSA-18BH-A

- Assembly
- Installation
- Operation
- Repair Parts



Call Customer Service, Toll-Free: 877-728-8224

Visit us on the web!
www.brinly.com

Important: This manual contains information for the safety of persons and property. Read it carefully before assembly and operation of the equipment!

INTRODUCTION

CONGRATULATIONS on your new Brinly-Hardy purchase! This accessory has been designed, engineered and manufactured to give you the best possible dependability and performance.

Should you experience any problem you cannot easily remedy, please do not hesitate to contact our knowledgeable customer service department toll-free at 1-877-728-8224. We have competent, well trained technicians to help you with the assembly and use of your product.



CUSTOMER RESPONSIBILITIES

- Please read & retain this manual. The instructions will enable to assemble and maintain your product properly.
- Please carefully read and observe the SAFETY SECTION of this manual.
- Follow a regular schedule in maintaining and caring for your Brinly-Hardy product.

TABLE OF CONTENTS

REQUIRED TOOLS	2
SAFETY	3
PARTS	4 - 5
ASSEMBLY	6 - 9
USE AND CARE	
- Specifications	10
- Operation	10 - 11
- Maintenance	11
- Service	11
WARRANTY	12

RECORD PURCHASE INFORMATION

Record your purchase information in the spaces provided below:

DATE OF PURCHASE _____

COMPANY NAME _____

COMPANY PHONE _____

SERIAL NUMBER _____

TOOLS REQUIRED FOR ASSEMBLY:



- 13 mm Wrench (x2)
- 10 mm Wrench (x2)
- Needle Nose Pliers
- Gloves

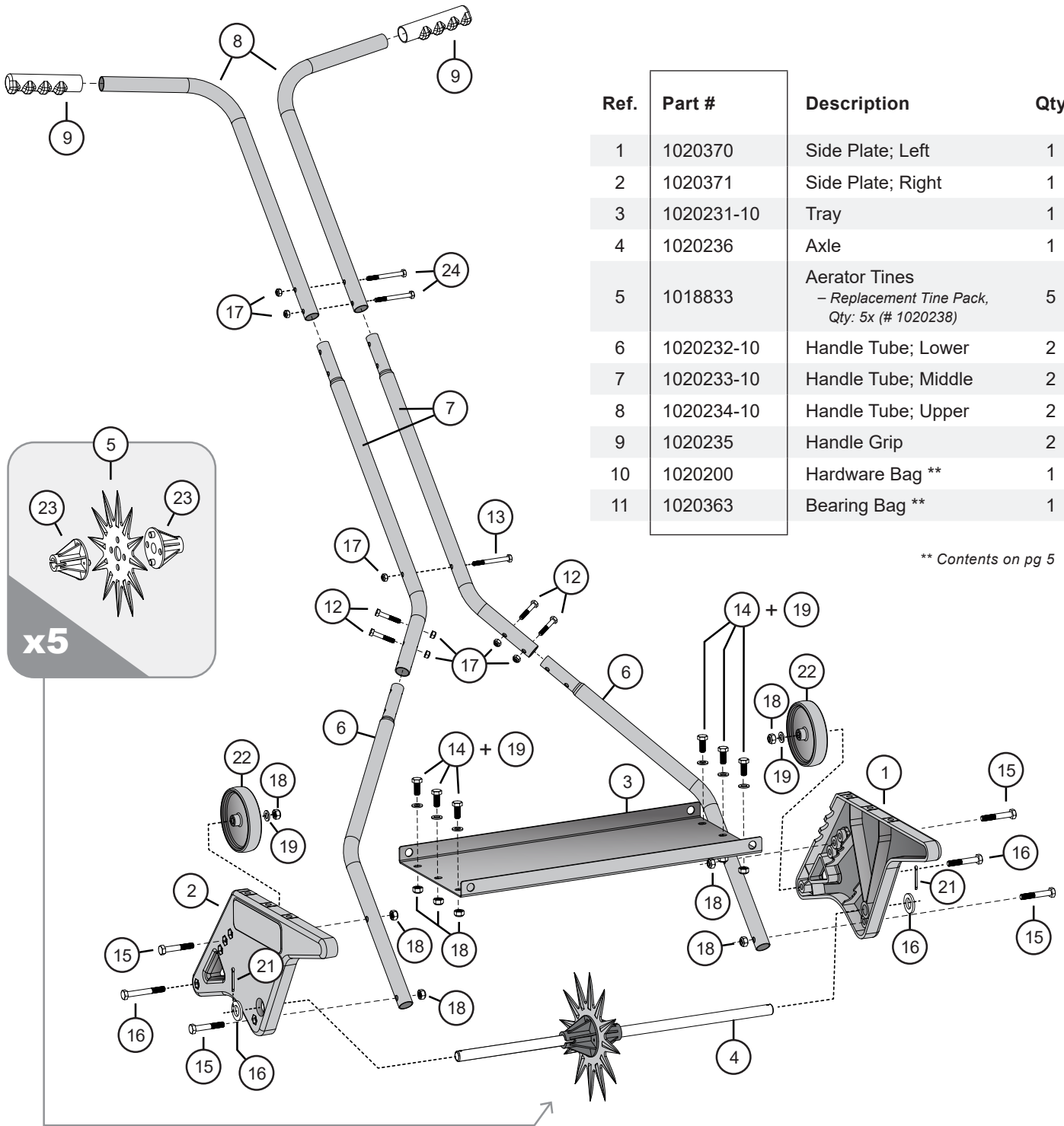
SPECIFICATIONS

Recommended Maximum Speed 3 mph
Aeration Depth Up to 2"
Working Width 18"

Weight

Weight Capacity 35 lbs
Aerator Weight (unloaded) 20 lbs


PARTS



Ref.	Part #	Description	Qty
1	1020370	Side Plate; Left	1
2	1020371	Side Plate; Right	1
3	1020231-10	Tray	1
4	1020236	Axle	1
5	1018833	Aerator Tines - Replacement Tine Pack, Qty: 5x (# 1020238)	5
6	1020232-10	Handle Tube; Lower	2
7	1020233-10	Handle Tube; Middle	2
8	1020234-10	Handle Tube; Upper	2
9	1020235	Handle Grip	2
10	1020200	Hardware Bag **	1
11	1020363	Bearing Bag **	1

** Contents on pg 5

Installation Questions?
Missing Parts?
Replacement Parts?




DON'T GO BACK TO THE STORE!
Please call our Customer Service Department,
Toll Free: 877-728-8224 or customerservice@brinly.com


PARTS

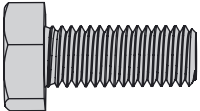
Illustrations on this page are to scale for faster identification of hardware during assembly.

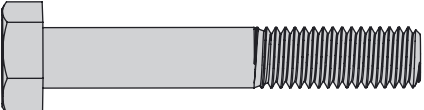
DO NOT RETURN PRODUCT IF YOU ARE MISSING PARTS.


Please Call: 1 (877) 728-8224


- 12 Bolt; Hex Head, M6 x 1.00 x 30 (x4) 

M06H10030P05
- 13 Bolt; Hex Head, M6 x 1.00 x 50 (x1) 


M06H10050P05
- 14 Bolt; Hex Head, M8 x 1.25 x 20 (x6) 

M08H12520P05
- 15 Bolt; Hex Head, M8 x 1.25 x 50 (x4) 

M08H12550P05
- 16 Bolt; Hex Head, M8 x 1.25 x 65 (x2) 

M08H12565P05
- 24 Bolt; Hex Head, M6 x 1.00 x 55 (x2) 

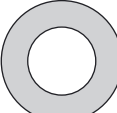
M06H10055P05

- 17 Locknut; Nylon, M6 x 1.00 (x7) 

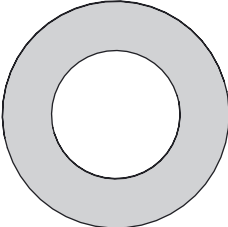
M06N100P05

- 18 Locknut; Nylon, M8 x 1.25 (x12) 


M08N125P05

- 19 Washer; M8 (x8) 

M08P16016FL

- 20 Washer; Flat, M16 (x4) 

M16P30030FW

- 21 Cotter Pin 3.5mm, (x2) 

1020239

Ref.	Part #	Description	Qty
10	1020200	Hardware Bag	1
12	M06H10030P05	Bolt; Hex Head, M6 x 1.00 x 30	4
13	M06H10050P05	Bolt; Hex Head, M6 x 1.00 x 50	1
14	M08H12520P05	Bolt; Hex Head, M8 x 1.25 x 20	6
15	M08H12550P05	Bolt; Hex Head, M8 x 1.25 x 50	4
16	M08H12565P05	Bolt; Hex Head, M8 x 1.25 x 65	2
17	M06N100P05	Locknut; Nylon, M6 x 1.00	7
18	M08N125P05	Locknut; Nylon, M8 x 1.25	12
19	M08P16016FL	Washer, M8	8
20	M16P30030FW	Washer; Flat, M16	4
21	1020239	Cotter Pin, 3.5mm	2
22	1020237	Wheel	2
24	M06H10055P05	Bolt; Hex Head, M6 x 1.00 x 55	2

11	1020363	Bearing Bag	1
23	B-5425	Bearing	10

EXTRA PARTS:

Two extra washers are provided, however, may not be needed after Step 2. (#20, Flat Washer; M16 - Qty. 2 Remaining)

ASSEMBLY

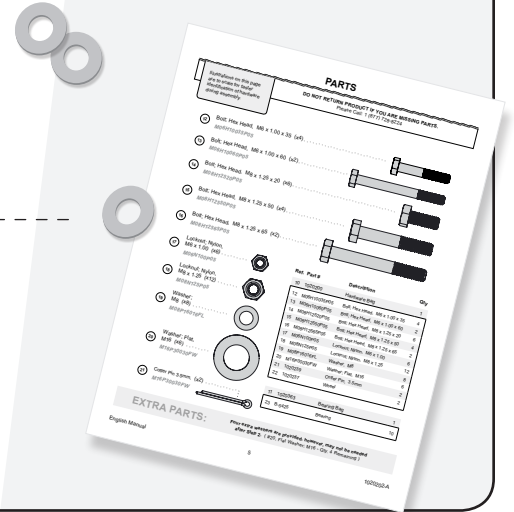
Assembly Tips

Illustrations on page 5 are to-scale. For faster identification of hardware during assembly, simply lay the hardware on top of the illustration.

The hardware packs are individually bagged and labeled to pair with each assembly step.

Additional info and videos are available on our website: brinly.com

This QR code links directly to the product page:



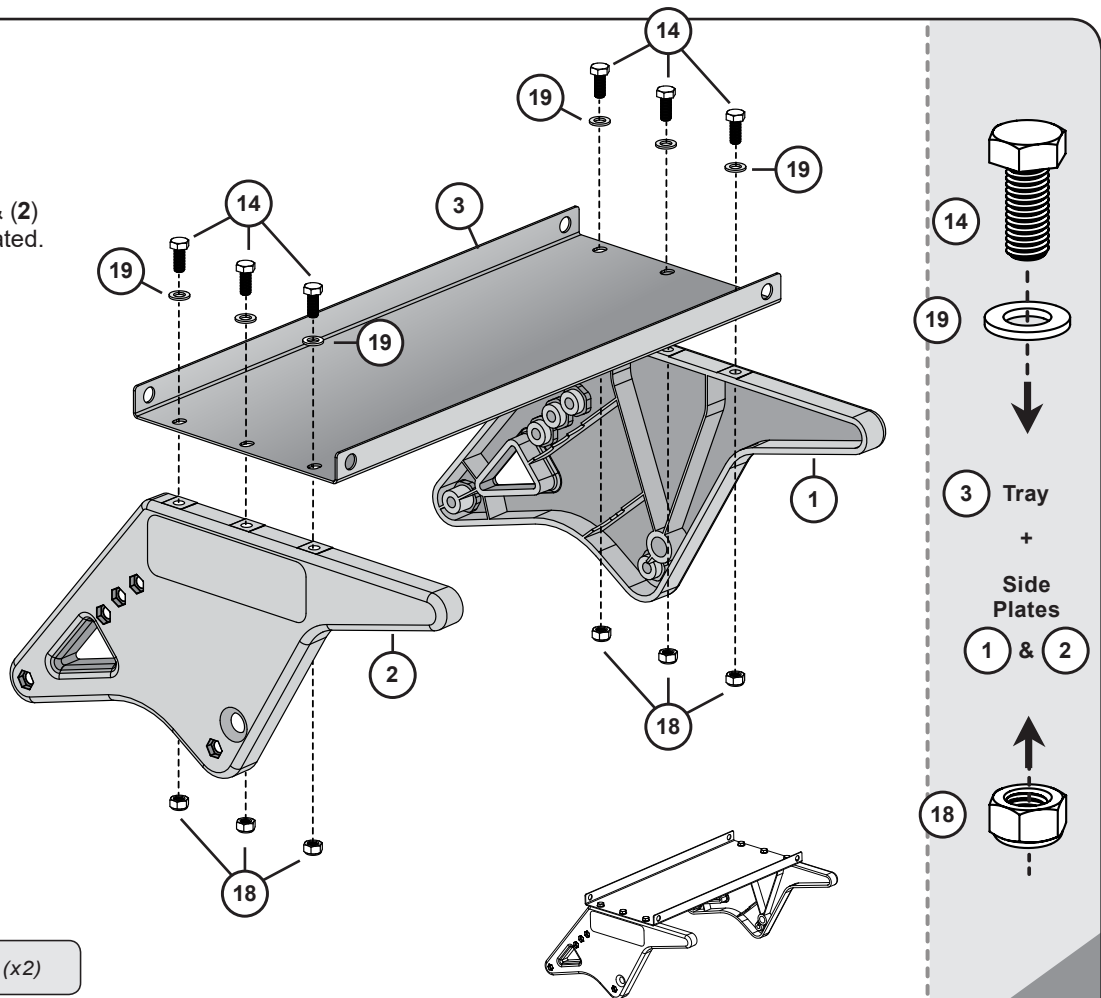
Step 1

Align the side plates (1) & (2) with the tray (3) as illustrated.

Running bolts from the top, secure using:

- x6 M8 x 1.25 x 20 Hex Head Bolts (14)
- x6 M8 Washers (19)
- x6 M8 Nylon Locknuts (18)

Do not fully tighten bolts (yet).



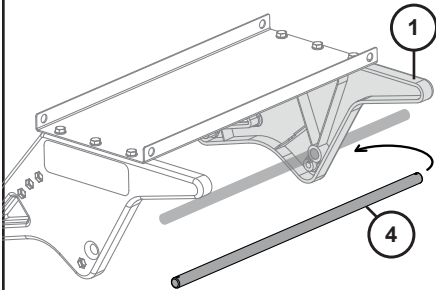
ASSEMBLY

Step 2-A

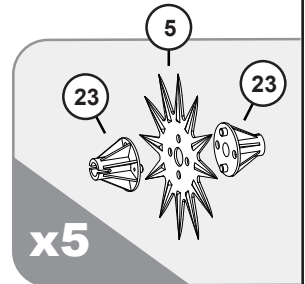
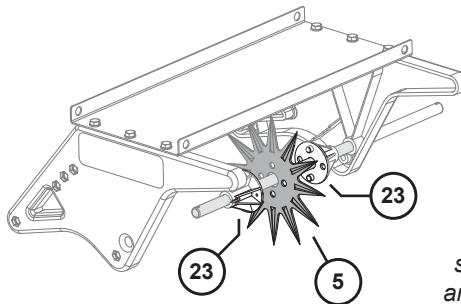
CAUTION: Gloves are required while handling aerator tines.
Tines have extremely sharp points. Use caution when handling.



Slide axle (4) through the first side plate (1). See illustration below.



Add five sets of the bearings (23) and tines (5) on the axle (4) in the orientation shown:



NOTE: The Bearings (23) have two small openings and extensions. These are designed to sandwich the Tines (5), sliding through and connecting.

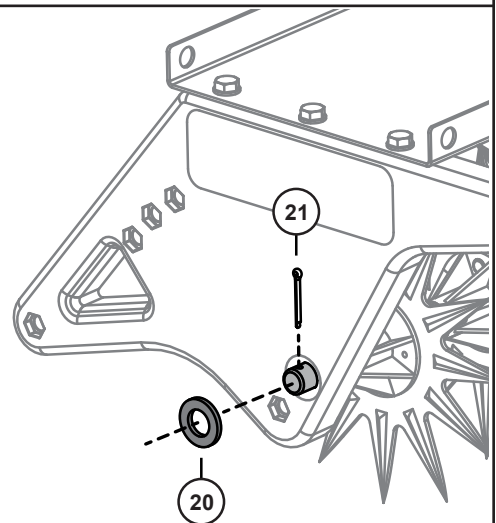
Hardware Bag 2

Tools: Needle Nose Pliers

After adding all the tines and bearings:

- Slide the axle (4) through the second side plate (2) and center everything.
- Add a washer (20) to each end of the axle (4).

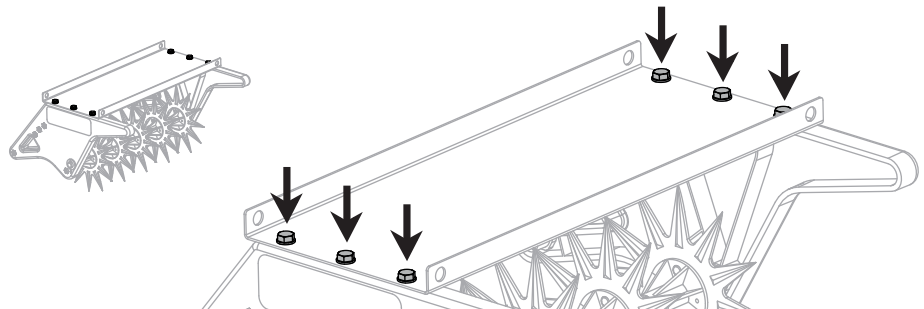
NOTE: Additional washers (20) have been provided if needed to prevent tines shifting or horizontal movement on this step. They can be added on the ends of the axle).



Secure everything in place by sliding cotter pins (21) through the axle ends, then bend the cotter pin ends with pliers.

Step 2-B

Fully tighten bolts from step 1.

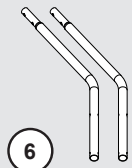


ASSEMBLY

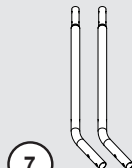
NOTE:

There are 3 different tubes on this assembly.

Please be sure to add the correct tubes on Steps 3-5.



Lower Handle Tubes
(Step 3)



Middle Handle Tubes
(Step 4)



Upper Handle Tubes
(Step 5)

Step 3

Align the lower handle tubes (6) as illustrated and attach to the side plates (1 & 2) using:

- x4 M8 x 1.25 x 50 Hex Head Bolts (15)
- x6 M8 Nylon Locknuts (18)

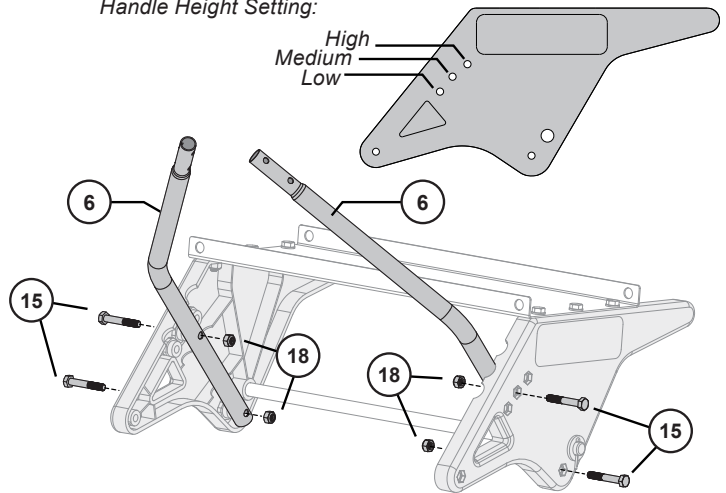
Do not over-tighten.

Hardware Bag 3

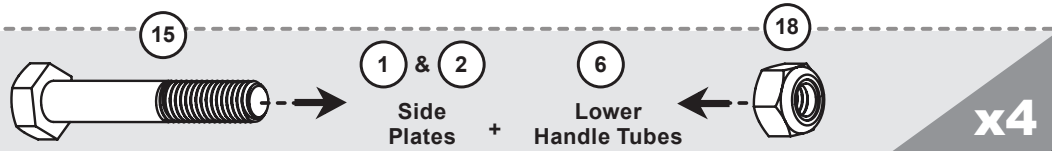
Tools: M13 Wrench

Handle Height Setting:

High
Medium
Low



Tines and bushings not illustrated here for clarity.



Step 4-A

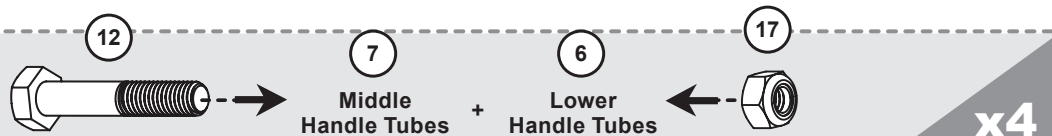
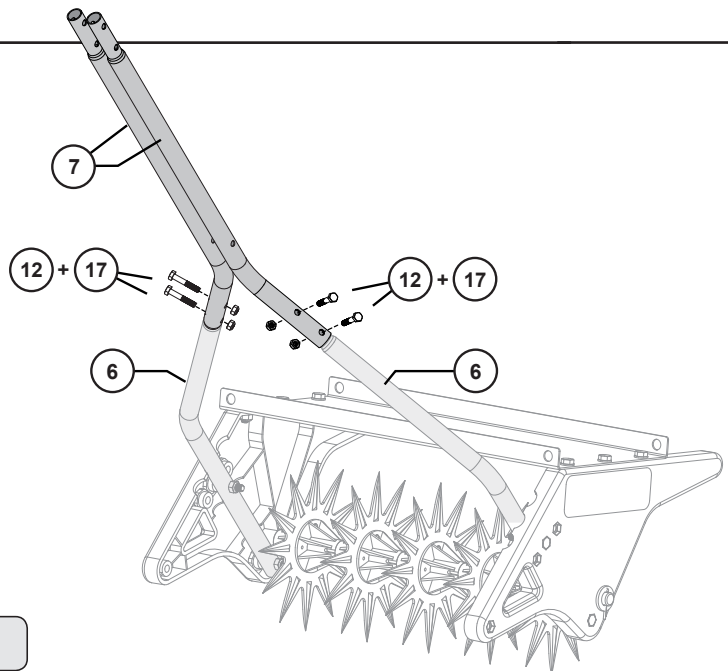
Bolt middle handle tubes (7) to the lower handle tubes (6) using:

- x4 M6 x 1.00 x 30 Hex Head Bolts (12)
- x4 M6 Nylon Locknuts (17)

Do not over-tighten.

Hardware Bag 4

Tools: M10 wrench (x2)



ASSEMBLY

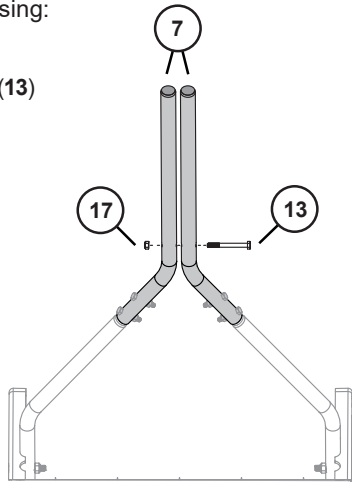
Step 4-B


 Tools: M10 Wrench (x2)

Bolt middle handle tubes (7) together using:

- x1 M6 x 1.00 x 50, Hex Head Bolt (13)
- x1 M6 Nylon Locknut (17)

Do not over-tighten.



 Hardware Bag 4

x1

13

7

17



Middle Handle Tubes



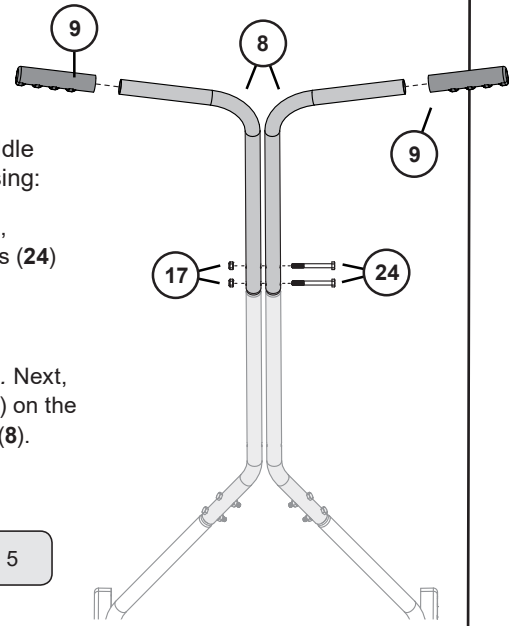
Step 5


 Tools: M10 Wrench (x2)

Bolt upper handle tubes (8) to the middle handle tubes (7) using:

- x2 M6 x 1.00 x 55, Hex Head Bolts (24)
- x2 M6 Nylon Locknuts (17)

Do not over-tighten. Next, slide handle grips (9) on the upper handle tubes (8).



 Hardware Bag 5

x2

13

8


17



Upper Handle Tubes



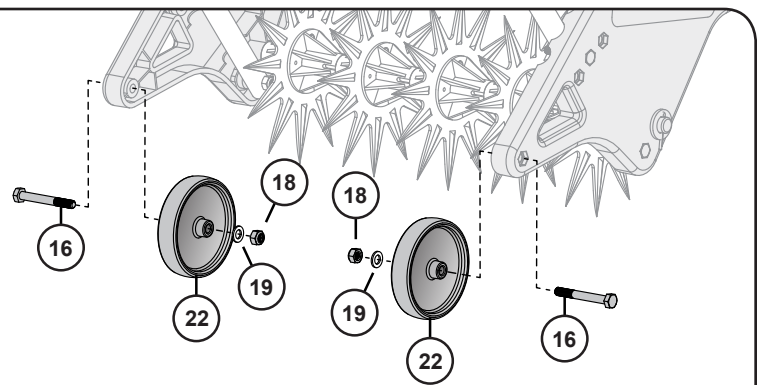
Step 6

 Tools: M13 Wrench

At the base of the side plates (1 & 2), align the wheels (22) as illustrated and attach using:

- x2 M8 x 1.25 x 65, Hex Head Bolts (16)
- x2 M8 Washers (19)
- x2 M8 Nylon Locknuts (18)

NOTE: *Ensure wheel can freely spin.*



 Hardware Bag 6

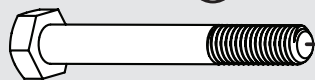
16

1 & 2

22

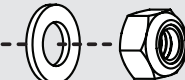
19

18



Side Plates

+ Wheels



x2



Assembly is Complete!

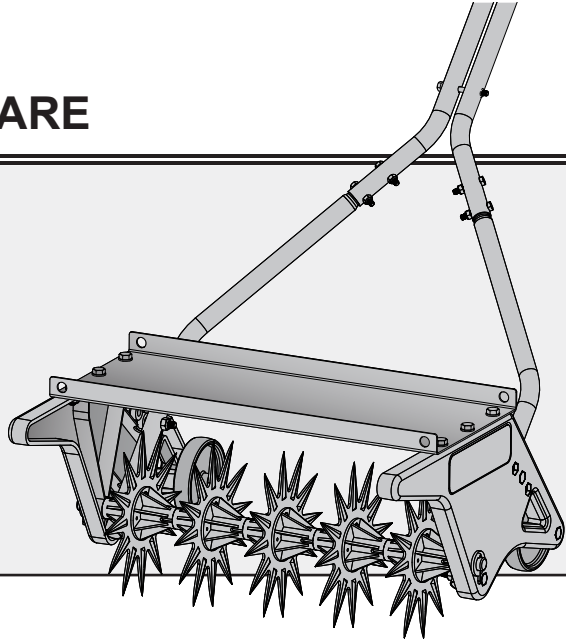
USE AND CARE

MODEL:

PSA-18BH

PSA-18BH-A

USE & CARE SECTION



SPECIFICATIONS

Recommended
MAXIMUM Speed 3 mph
Aeration Depth Up to 2"
Working Width 18"

Weight

Weight Capacity 35 lbs
Aerator Weight
(unloaded) 20 lbs

WHEN TO USE

Your Aerator should not be used when lawn conditions are too wet or too dry. This can be determined by digging a small amount of soil (about three inches deep) and checking it.

If soil appears powdery & brittle - it's too dry.



Wait until a later date, after a rainfall.

If soil appears damp, roll it in the palm of your hand.

If the soil forms a ball that doesn't break up when it hits the ground, it is too wet.



Wait until a later date for soil to dry some.

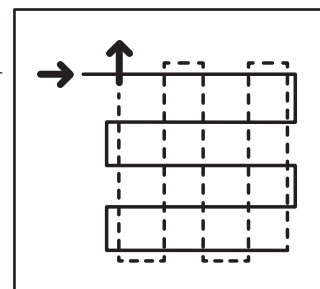
If the soil forms a ball and falls apart when it hits the ground, it is in ideal condition.



FREQUENCY

Lawn aeration is not accomplished in a single pass. It will normally take several passes over the lawn.

Alternating the direction by 90 degrees will improve the aeration effect. The Aerator may be used in an independent operation or may be used when mowing your lawn.



USE AND CARE

OPERATING TIPS



- **CAUTION:** To prevent injury, closed toe shoes are advised during use.
- Tines have sharp points. Wear gloves and handle with care.

3
MPH

- The recommended operating speed is a brisk walk – **3 MPH**
- If the soil is very soft and the aerator is difficult to push, reduce the weight in the tray.
- Do not stand on the aerator.
- Keep all fasteners tight to be sure the equipment is in safe working condition.
- Store the aerator in a position in which the tines are not exposed.
- Store the aerator indoors to maximize the product life.
- If the product is to be hung from a wall when stored, ensure the hanging hardware is rated for weight of the aerator

35 lbs

ADDING WEIGHT

- Do not load more than 35 lbs on the Aerator tray, that is the maximum weight capacity.
- Weight can be added to the tray and should be secured by rope, straps, or other suitable means.

MAINTENANCE



- Should rust appear on any other part of your Aerator-Spreader, sand lightly to remove rust and coat lightly with enamel.
- Apply a drop of lubricating oil to each nylon bearing (aerator tine shaft, agitator shaft, and wheels) before each use.
- To prevent rust in aerator tines, apply a light coat of oil on the working areas of tines after each use.
- After each use, service unit as described and store in a dry area, shielding tines to avoid injury

SERVICE



QUALITY CONTINUES WITH QUALITY SERVICE

If you have installation questions, are missing parts or need replacement parts, don't go back to the store!

Please find your product serial number and model number, then contact our Customer Service department:



In North America and Canada call
Toll-Free: **877-728-8224**



Chat online: **www.brinly.com**



Email: **customerservice@brinly.com**

ONLINE

BRINLY.COM

Additional info and videos are available on our website. Please visit the URL above OR scan this QR code.

PSA-18BH
PSA-18BH-A





MANUFACTURER'S LIMITED WARRANTY
AERATORS

The limited warranty set forth below is given by Brinly-Hardy Company with respect to new merchandise purchased and used in the United States (its possessions and territories) and Canada.

Brinly-Hardy Company warrants the products listed below against defects in material and workmanship, and will at its option, repair or replace, free of charge, any part found to be defective in materials or workmanship. This limited warranty shall only apply if this product has been assembled, operated, and maintained in accordance with the Operator's manual furnished with the product, and has not been subject to misuse, abuse, commercial use, neglect, accident, improper maintenance, alteration, vandalism, theft, fire, water, or damage because of other peril or natural disaster.

Parts found to be defective within the warranty period will be replaced at our expense. Our obligation under this warranty is expressly limited to the replacement or repair, at our option, of parts found to be defective in material and workmanship.

HOW TO OBTAIN SERVICE: Warranty parts replacements are available, only with proof of purchase, through our Customer Service Department. Call 877-728-8224.

This limited warranty does not provide coverage in the following cases:

- a. Routine maintenance items such as lubricants & filters.
- b. Normal deterioration of exterior finish due to use or exposure.
- c. Transportation and/or labor charges.
- d. The warranty does not include commercial and/or rental use.

No implied warranty, including any implied warranty of merchantability of fitness for a particular purpose, applies after the applicable period of express written warranty above as to the part as identified below. No other express warranty whether written or oral, except as mentioned above, given by any person or entity, including a dealer or retailer, with respect to any product, shall bind Brinly-Hardy Co. During the period of the warranty, the exclusive remedy is repair or replacement of the product as set forth above.

The provisions as set forth in this warranty provide the sole and exclusive remedy arising from the sale. Brinly-Hardy Co. shall not be liable for incidental or consequential loss or damage including, without limitation, expenses incurred for substitute or replacement lawn care services or for rental expenses to temporarily replace a warranted product.

Some states do not allow the exclusion or limitation of incidental or consequential damages, or limitations on how long an implied warranty lasts, so the above exclusions or limitations may not apply to you.

During the warranty period, the exclusive remedy is replacement of the part. In no event shall recovery of any kind be greater than the amount of the purchase price of the product sold. Alteration of safety features of the product shall void this warranty. You assume the risk and liability for loss, damage, or injury to you and your property and/or to others and their property arising out of the misuse or inability

to use this product. **NOTE:** *This limited warranty shall not extend to anyone other than the original purchaser or to the person for whom it was purchased as a gift.*

This limited warranty lasts as long you own your product purchased from an authorized seller. **Coverage terminates once you sell or otherwise transfer the product.**

This limited warranty does not cover any purchaser other than the original purchaser of the product, nor does it cover any product purchased from an unauthorized third-party. If you are not the original purchaser of this product, your product is not covered by our limited warranty and you take the product "AS IS" and "with all faults."

We may require proof of purchase from you demonstrating that you are the original purchaser of the product, purchased the product from an authorized dealer, and are eligible to make a valid claim under this limited warranty.

How state law relates to this warranty: This limited warranty gives you specific legal rights, and you may also have other rights which vary from state to state.

IMPORTANT:

The Warranty period stated below begins with the proof of purchase. Without the proof of purchase, the Warranty period begins from the date of manufacture determined by the serial number manufacturing date. All parts replaced under warranty will be considered as part of the original product, and any warranty on the replaced parts will expire coincident with the original product warranty.

WARRANTY PERIOD:

See applicable parts listed below.

Standard / Residential Use:

Steel Frame & Steel Parts	2 years
Stars & Plugs	90 days
Tires / Wheels	90 days
Drive: Chain & Sprocket	90 days

All other normal wear parts or component failures will be covered on this product for a period of 90 days.

If this equipment is being used in a commercial application and / or for multiple properties, the warranty is 90 days after purchase for all parts.