

# Installation and Care Guide

## Lighted Mirror

Français, page "Français-1"  
Español, página "Español-1"

THE BOLD LOOK  
OF **KOHLER**®

1337912-2-A

# IMPORTANT SAFETY INSTRUCTIONS

**Read all instructions before using or installing this product.**



**WARNING:** When using electrical products, basic precautions should always be followed, including the following:



**WARNING: Risk of electric shock.** Grounding is required for the outlets within the power bar. Connect only to a circuit protected by a Class A Ground-Fault Circuit-Interrupter (GFCI)\*, which protects against line-to-ground shock hazard. Use a 120 V, 15 A service.



**WARNING: Risk of electric shock.** A qualified electrician must route all electrical wiring for the product. Improper installation will create an electrical hazard and may not comply with local building and electrical codes.



**WARNING: Risk of electric shock.** Turn the electricity off at the circuit breaker or fuse box before moving, testing, cleaning, or repairing this product. When unplugged, the electric supply will no longer be electrically live, which will eliminate the risk of electric shock.



**CAUTION: Risk of electric shock.** Risk of electric shock. Electrical wiring may need to be relocated.

**NOTICE:** Follow all local building, electrical, and plumbing codes.

**IMPORTANT!** A dimmer switch is required. This product is compatible with most residential dimmer switches intended for incandescent and dimmable LED bulbs. For optimal dimming performance, a programmable digital fade dimmer switch intended for LED lighting with a minimum rating of 150 W is recommended.

\*Outside North America, this device may be known as a Residual Current Device (RCD).

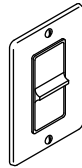
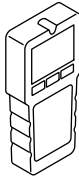
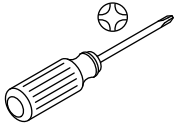
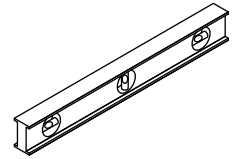
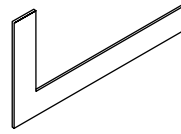
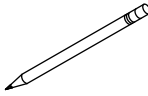
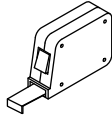
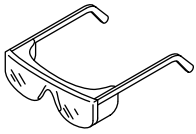
## SAVE THESE INSTRUCTIONS

### Specifications

#### Electrical Service

Light	120 V, 60 Hz, 0.4 A
-------	---------------------

## Tools and Materials



Stud  
Finder

Dimmer  
Switch

**Plus:**

- Wire Cutter/Stripper
- Assorted Drill Bits

## Before You Begin



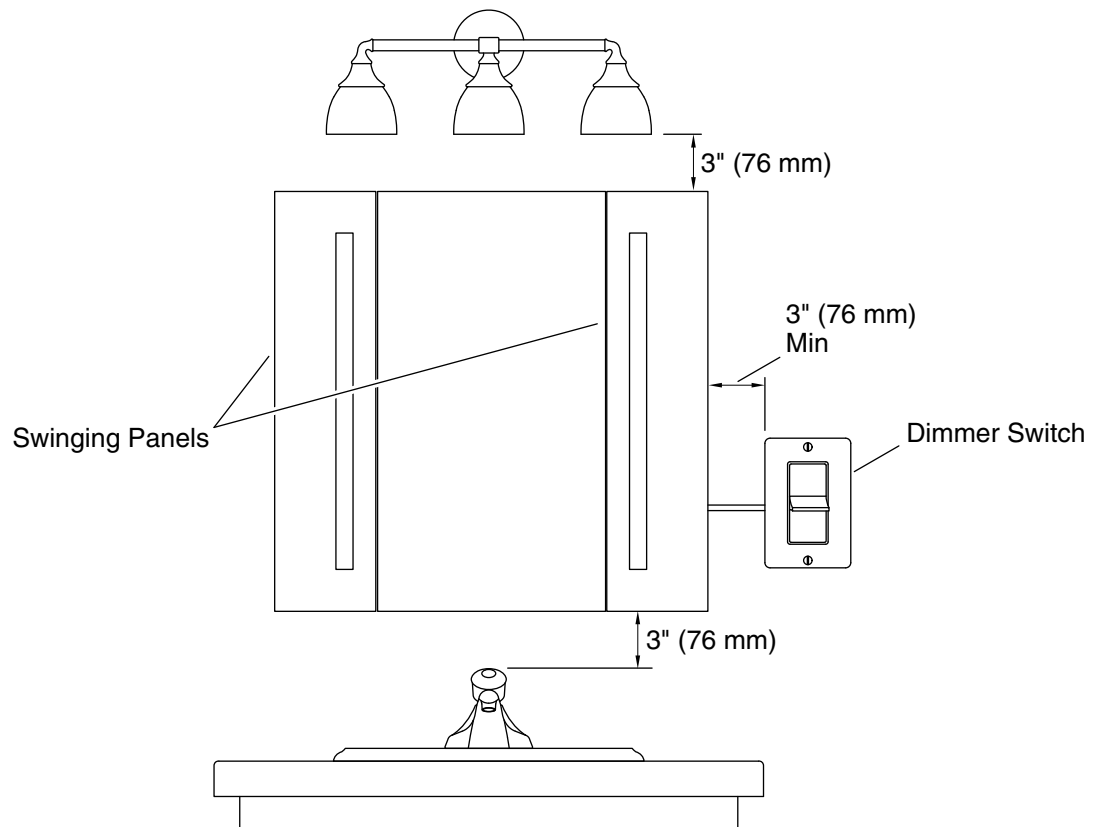
**CAUTION: Risk of personal injury.** Mirrors are heavy. Get assistance lifting the product.



**CAUTION: Risk of property damage.** Swinging panels that are misaligned or set too close to the main mirror can chip or break. If needed, make adjustments to properly align the panels with the main mirror.

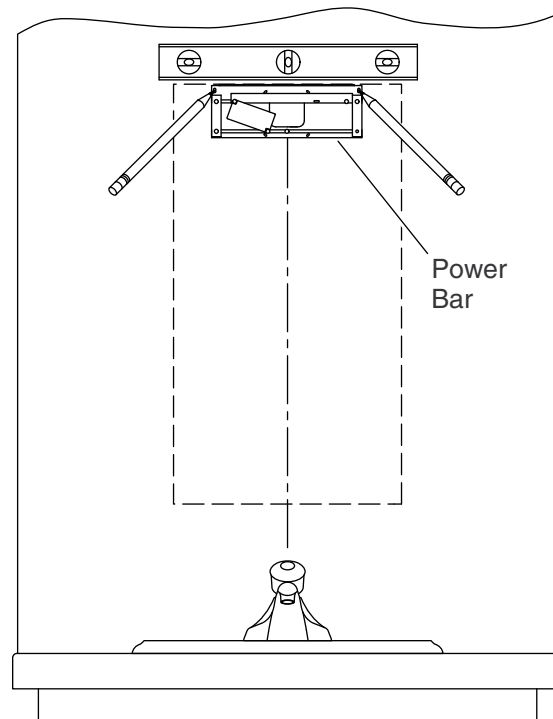
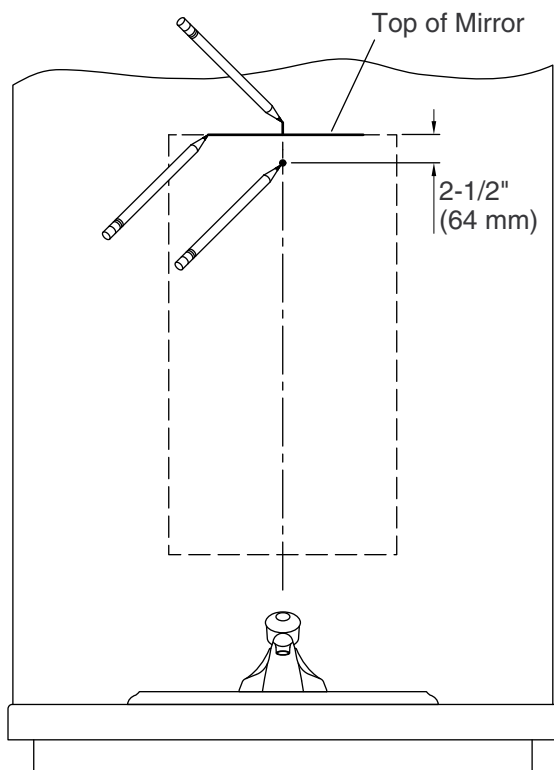
**NOTICE: Risk of property or product damage.** The location of the mirror is critical. Make sure that the swinging panels will clear all obstacles (such as a faucet or light fixture), and obstacles behind the finished wall will not be damaged during the drilling process.

- Observe all local building codes.
- The appearance of your mirror may differ from the mirror illustrated. The installation instructions still apply.
- This installation is easiest when performed by two people.
- For K-99572-TLC and K-99573-TLC:** When determining the height of the product, verify that the swinging panels will clear all obstacles (such as a faucet or light fixture). A minimum distance of 3" (76 mm) is required.



## Roughing-In

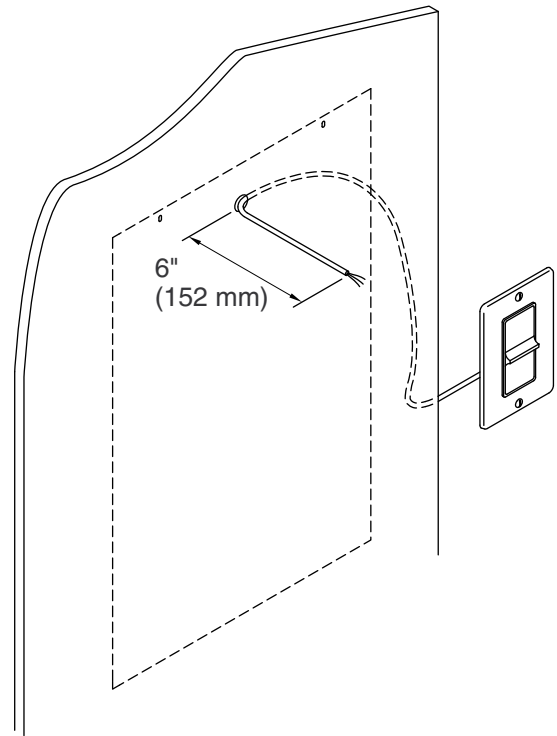
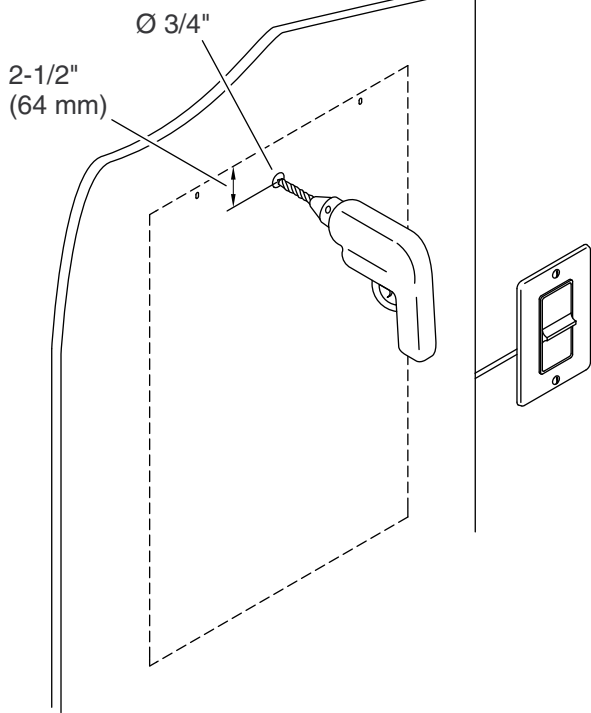
- **For K-99572-TLC and K-99573-TLC:** When determining the location of the mirror, verify that the swinging panels will clear all obstacles (such as a faucet or light fixture). Provide a minimum distance of 3" (76 mm).
- Plan for the location of the dimmer switch. Locate the switch at least 3" (76 mm) from the unfolded swinging panels.



## 1. Mark the Power Bar Holes

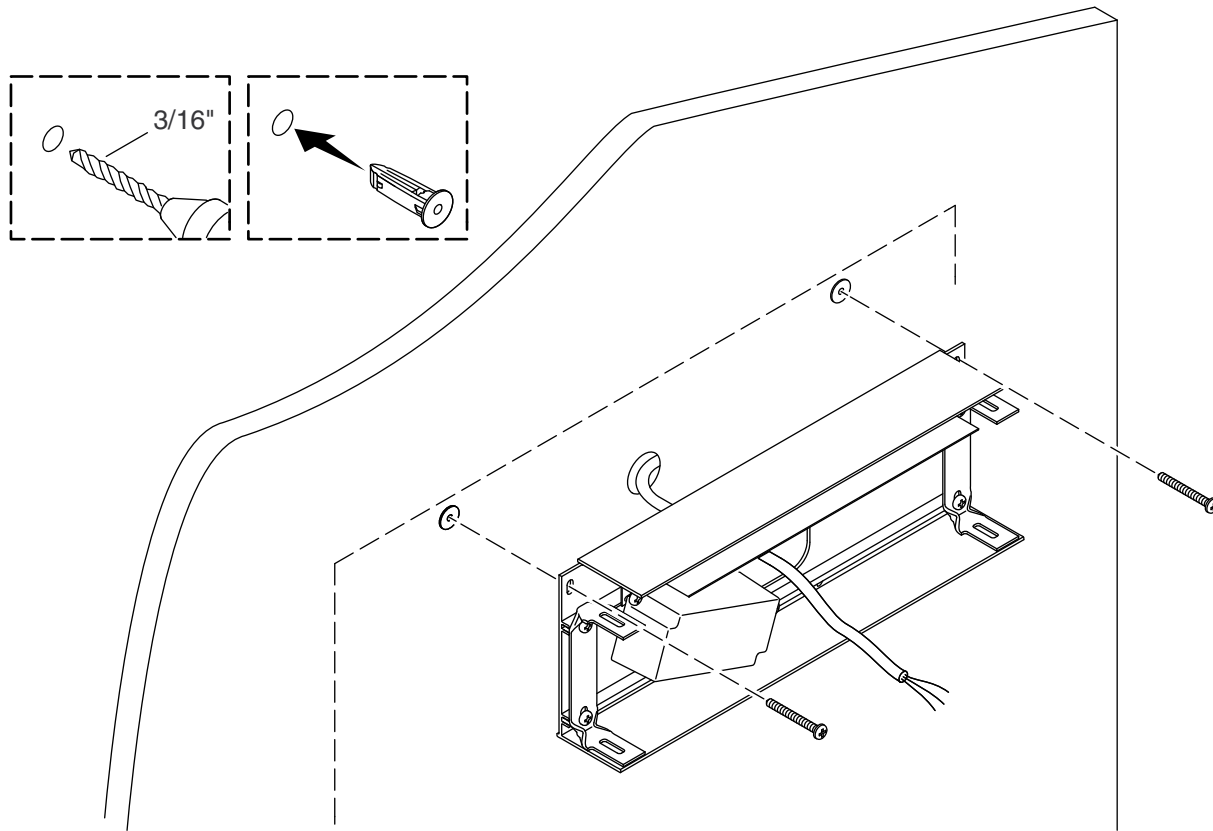
**IMPORTANT!** Get assistance when positioning the mirror. One person should hold the mirror in place while the other person marks the placement.

- With help, position the mirror in the desired location on the wall.
- Using a pencil, draw a line across the top of the mirror.
- Mark the centerline on the line.
- Set the mirror aside.
- Make a mark on the centerline 2-1/2" (64 mm) down from the top of the mirror.
- Align the power bar top with the line for the top of the mirror.
- Verify level, and mark the two hole locations at the top corners of the power bar.



## 2. Route the Wiring

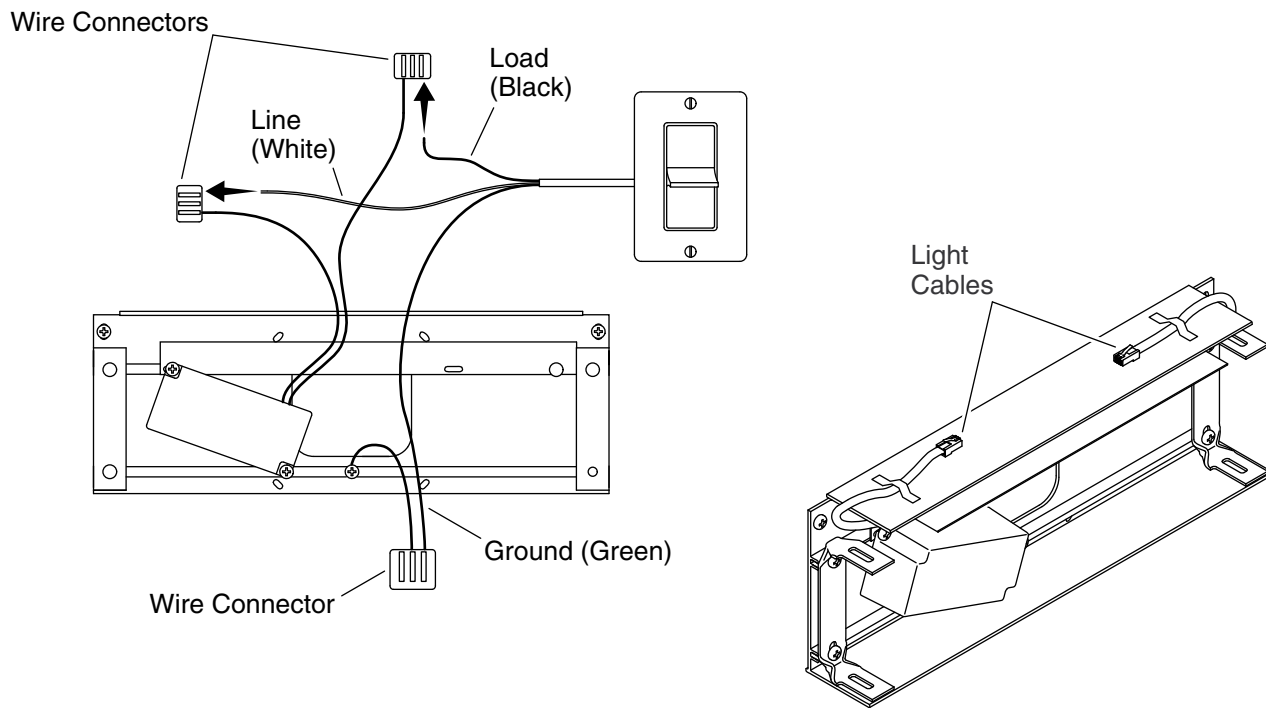
- Drill a  $3/4''$  (19 mm) hole for the electrical wire location.
- Route the electrical wiring from the dimmer switch through the hole in the finished wall.
- The wiring should extend at least  $6''$  (152 mm) from the hole.



### 3. Install the Power Bar

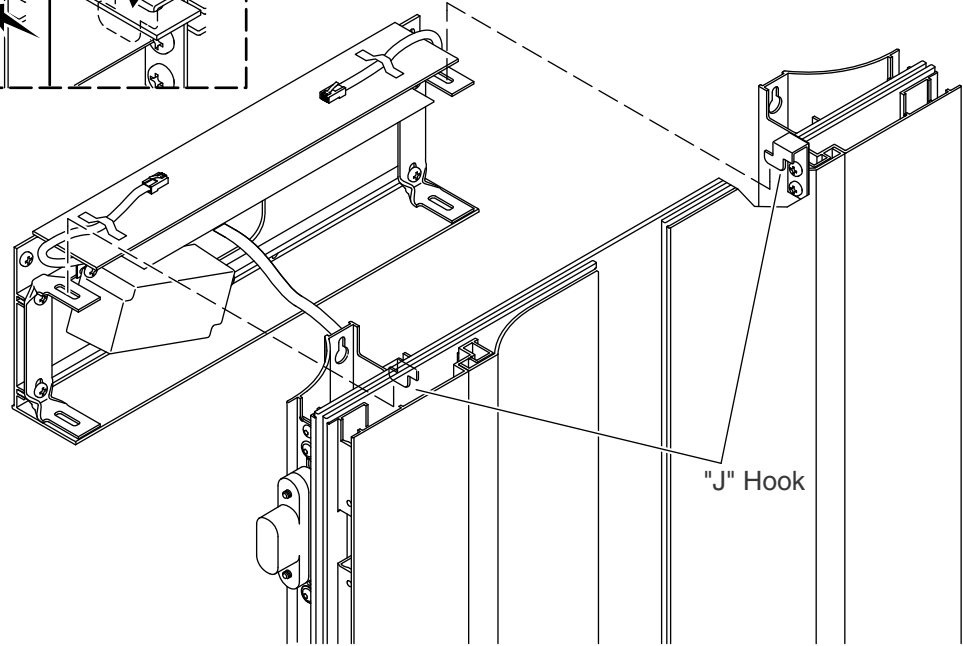
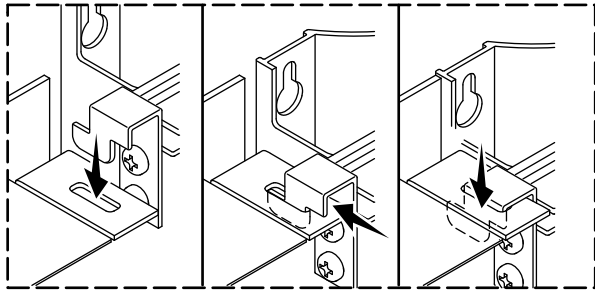
**NOTICE:** If you use conduit for routing the dimmer switch wiring, attach the conduit to a 4" (102 mm) square electrical plate and secure the plate over the large central hole of the power bar.

- Using a 3/16" drill bit, drill two holes at the marked locations on the finished wall.
- Insert the supplied anchors where needed.
- Position the power bar on the wall, with the electrical wire pulled through the large central hole.
- Verify the bar is level, then secure with two screws provided.



#### 4. Connect the Dimmer Switch

- Connect the electrical wiring from the dimmer switch to the proper connectors on the power bar as shown.
- Feed the light cables through the slots and tape to the top of the power bar to keep the cables accessible for later connection.

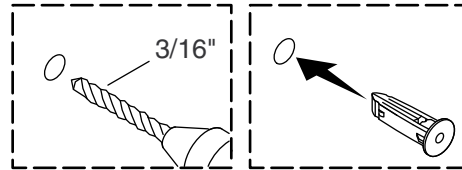
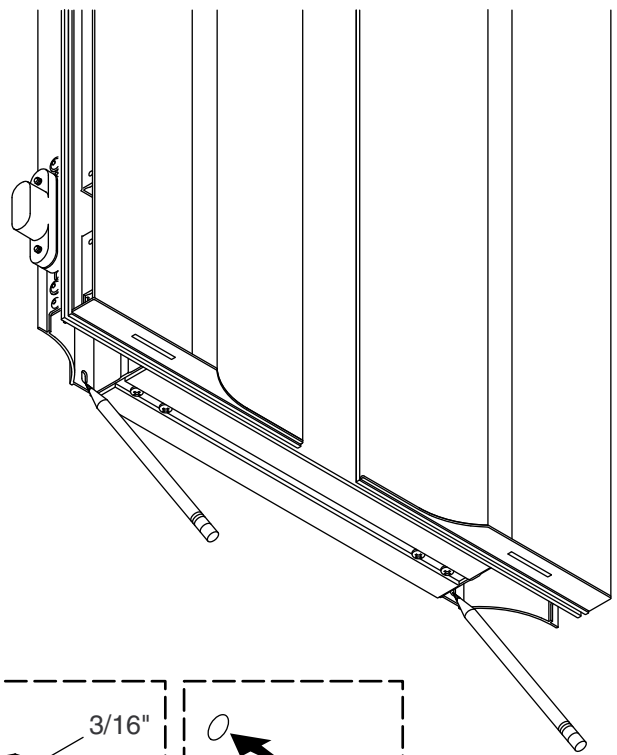
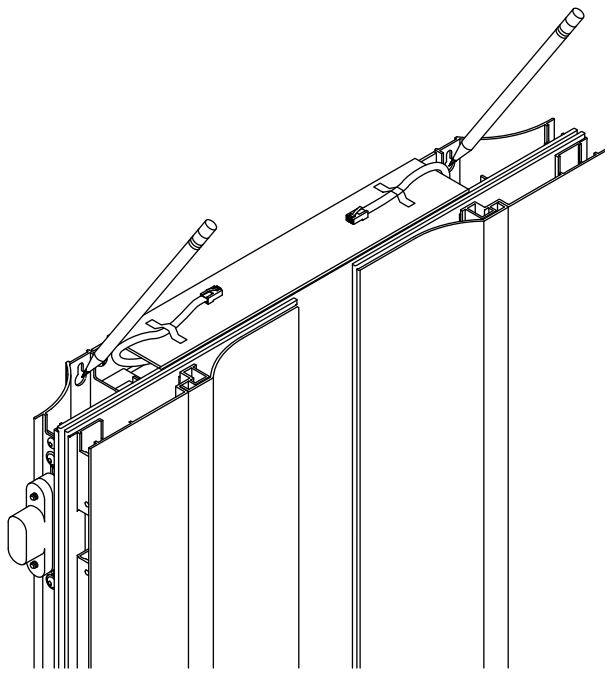


## 5. Position the Mirror

**IMPORTANT!** Get assistance when hanging the mirror.

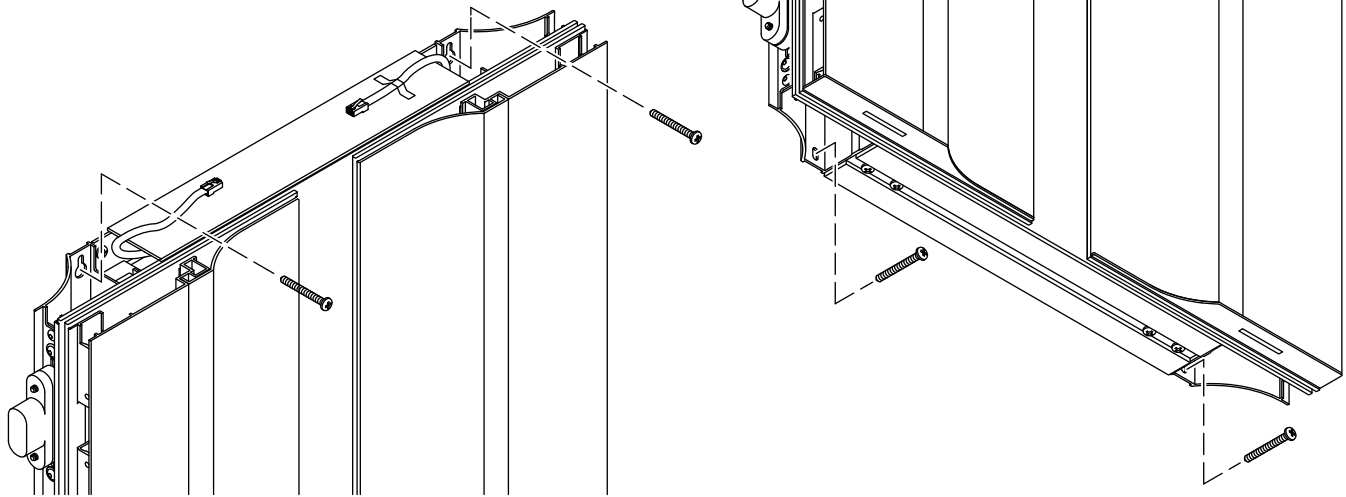
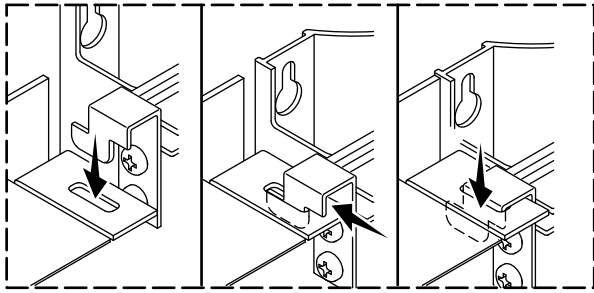
**IMPORTANT!** For K-99572-TLC and K-99573-TLC: Never leave the swinging panels unsupported during installation.

- For K-99572-TLC and K-99573-TLC: To ease installation, fold the swinging panels against the main mirror.
- Align the "J" hooks on the mirror with the slots in the power bar.
- Lower the "J" hooks into the slots. The mirror will initially lower approximately 1/4" (6 mm).
- Push the mirror toward the wall to further engage the "J" hooks into the slots.



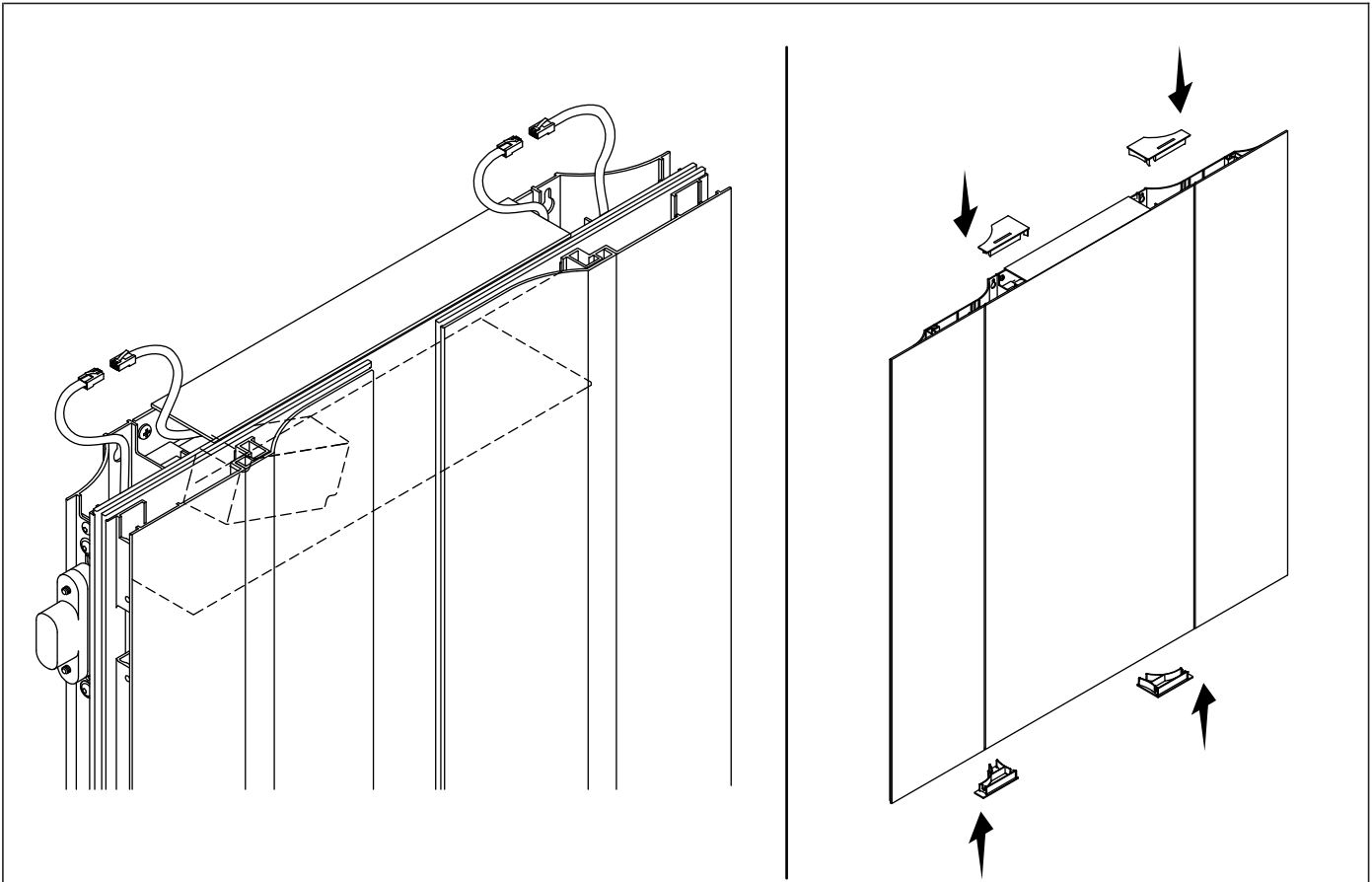
## 6. Mark the Mirror Holes

- Mark the two top hole locations on the wall.
- Mark the two bottom hole locations on the wall.
- Lift the mirror up and out to disengage the "J" hooks from the power bar slots.
- Set the mirror aside.
- Using a 3/16" drill bit, drill holes at the four marked locations on the finished wall.
- Insert the supplied anchors where needed.



## 7. Secure the Mirror

- Reinstall the mirror to the power bar by engaging the "J" hooks with the slots. Refer to the "Position the Mirror" section.
- Secure the mirror to the finished wall with the four screws provided.

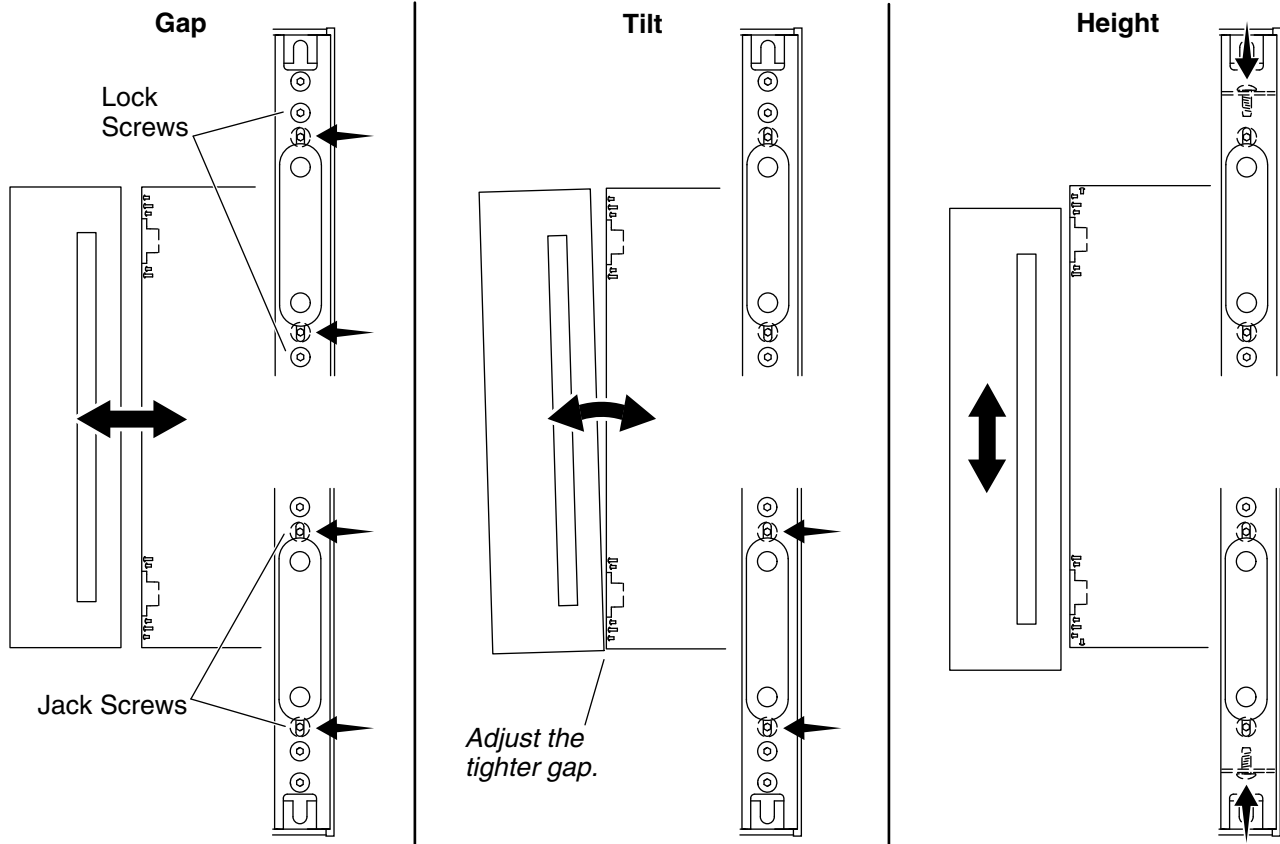


## 8. Connect the Light Cables

- Connect the two light cables from the mirrors to the connectors from the power bar.
- Tuck the wires into the mirror.
- **For K-99572-TLC and K-99573-TLC:** Verify that the swinging panels move freely without binding the cables.
- Turn on the electrical power to the dimmer switch.
- Use the dimmer switch to test the lights for proper operation.

### Install the Caps

- Press the caps to the top and bottom of the mirror.
- **For K-99572-TLC and K-99573-TLC:** Install the caps to the top and bottom of the swinging panels.



## 9. Adjust Panel (K-99572-TLC/K-99573-TLC)



**CAUTION:** Risk of property damage. Swinging panels that are misaligned or set too close to the main mirror can chip or break. If needed, make adjustments to properly align the panels with the main mirror.

**NOTICE:** Alignment of the swinging panels has been set at the factory. Do not make adjustments unless you have replaced the panels.

- Fold the swinging panel against the main mirror.
- Loosen the lock screws on the top and bottom hinge approximately 1/4 turn clockwise.
- Tight Gap Adjustment:** Turn the jack screws counterclockwise in 1/4 turn increments at the top and bottom of the mirror.
- Tilt Adjustment:** Turn the jack screw counterclockwise in 1/4 turn increments at the top or bottom of the mirror, whichever has the tighter gap.
- Height Adjustment:** Turn the screw at the bottom of the mirror to raise or lower the swinging panel to the same height as the main mirror.
- Slowly unfold the panel and check alignment.
- Repeat the adjustments as needed.

## Care and Cleaning

For best results, keep the following in mind when caring for your KOHLER product:

**NOTE:** Periodic care and maintenance should include checking all hinge screws on the door to make sure that they are tight and engaged in the hinge holes.

- Do not let cleaners sit or soak on surfaces.